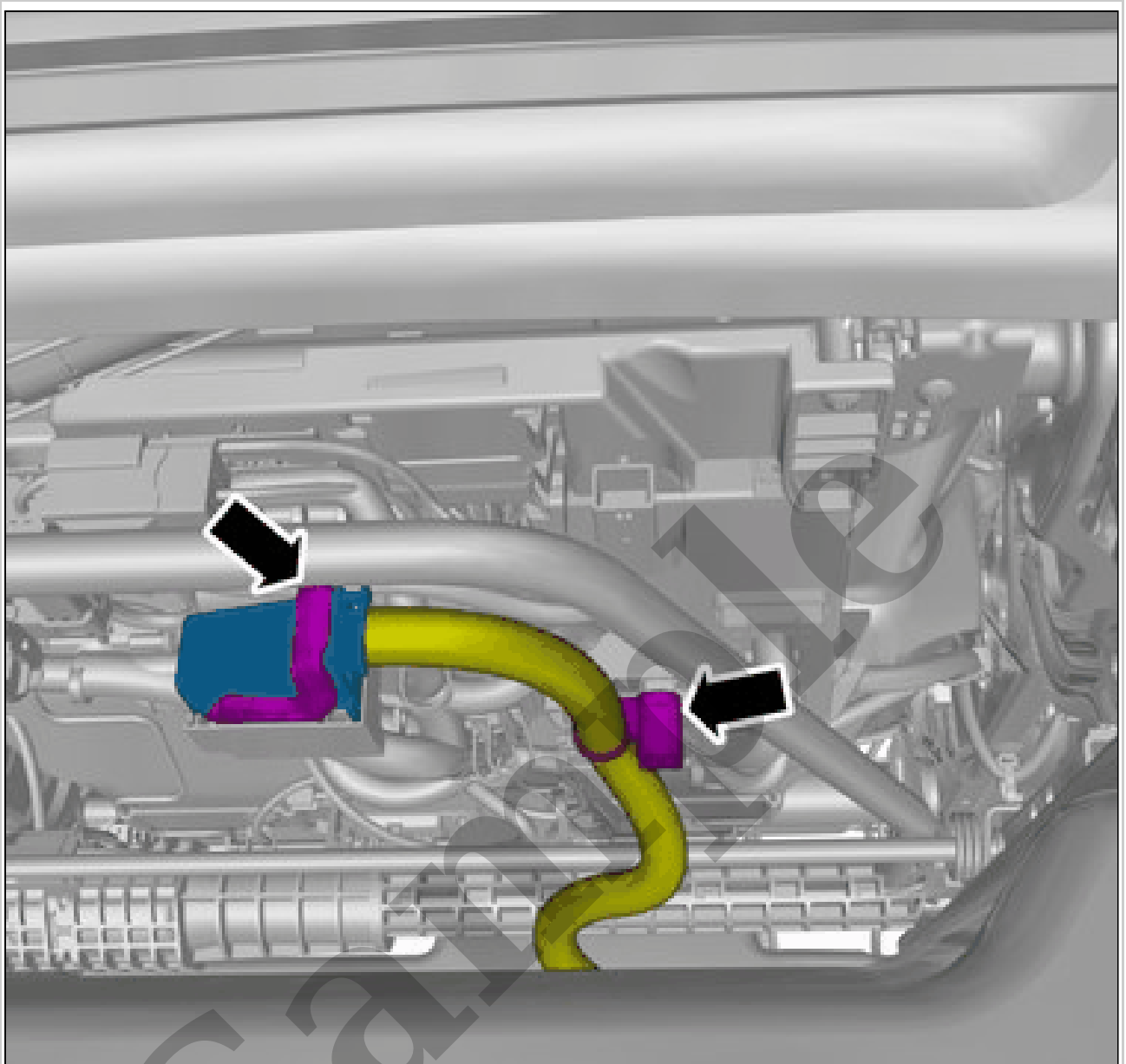


# Your Ultimate Source for OEM Repair Manuals

FactoryManuals.net is a great resource for anyone who wants to save money on repairs by doing their own work. The manuals provide detailed instructions and diagrams that make it easy to understand how to fix a vehicle.

## 2004 VOLVO V40 OEM Service and Repair Workshop Manual

[Go to manual page](#)



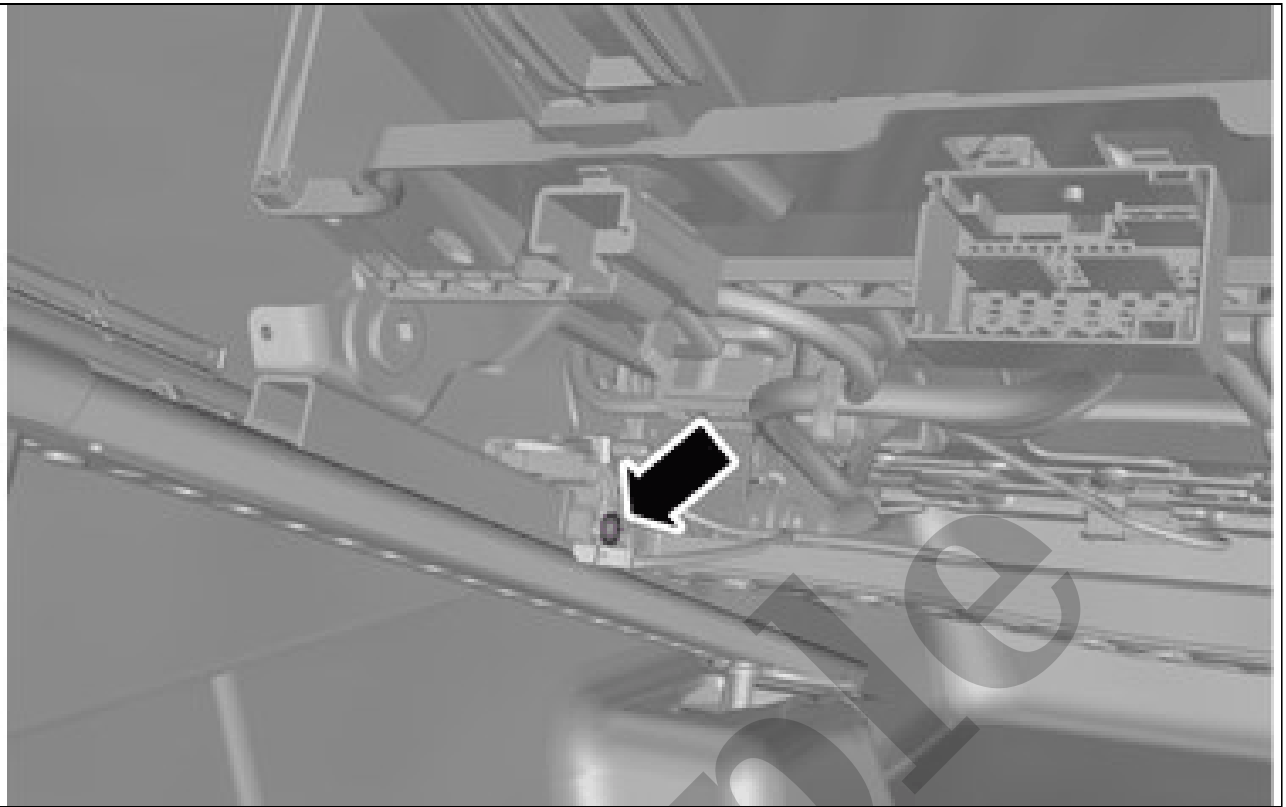
Courtesy of VOLVO CARS CORPORATION

Disconnect the connector.  
Remove the fastener.



Courtesy of VOLVO CARS CORPORATION

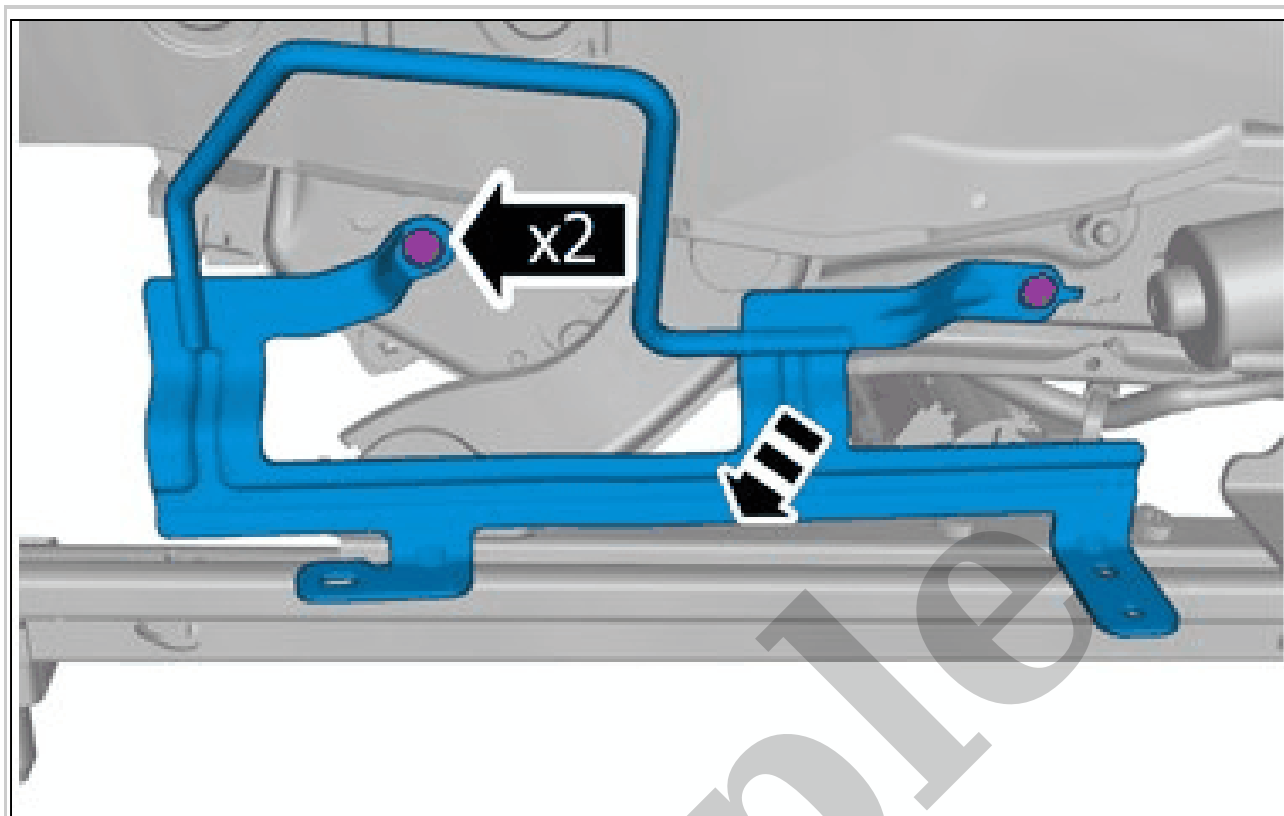
**Torque:** Front seat to body, 40Nm  
Remove the screws.



Courtesy of VOLVO CARS CORPORATION

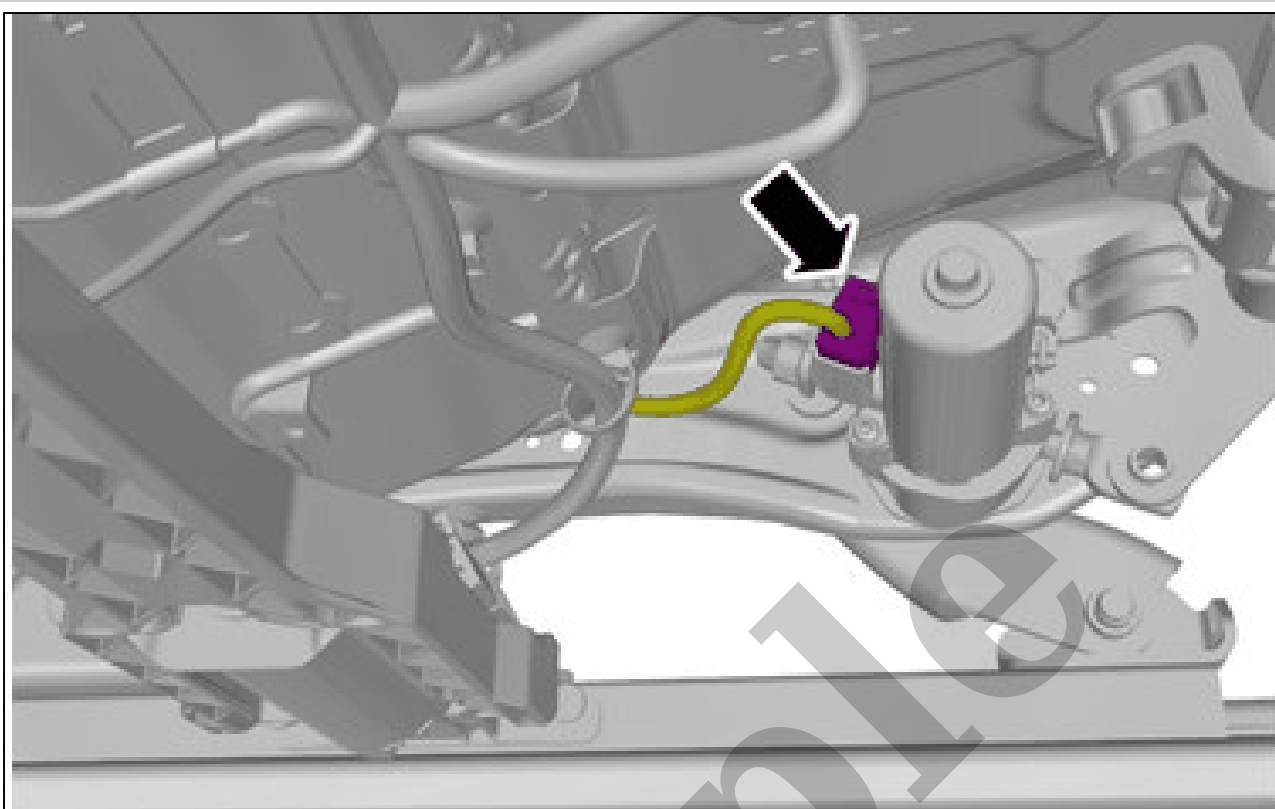
Remove the screw.

Sample



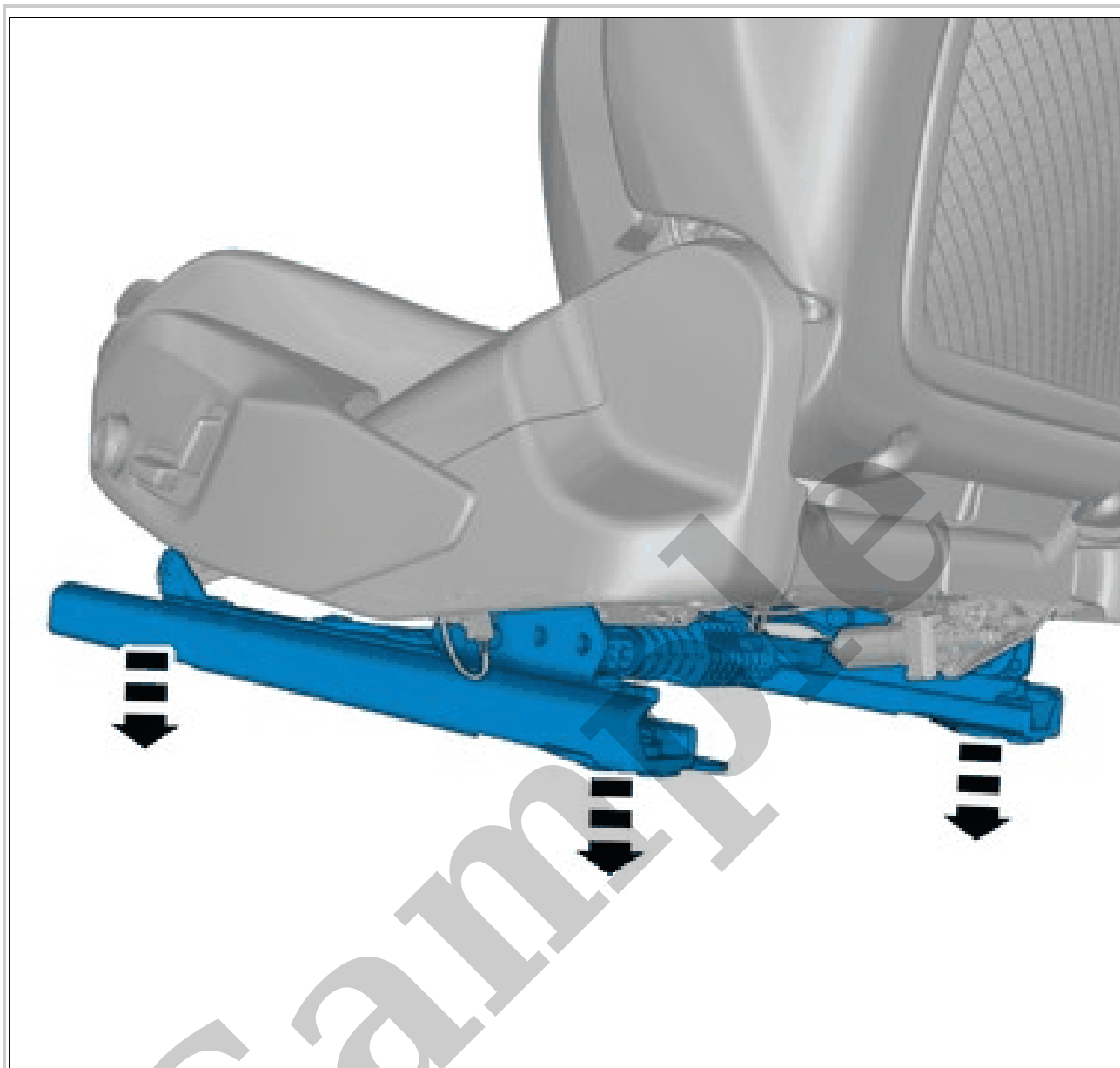
Courtesy of VOLVO CARS CORPORATION

Remove the screws.



Courtesy of VOLVO CARS CORPORATION

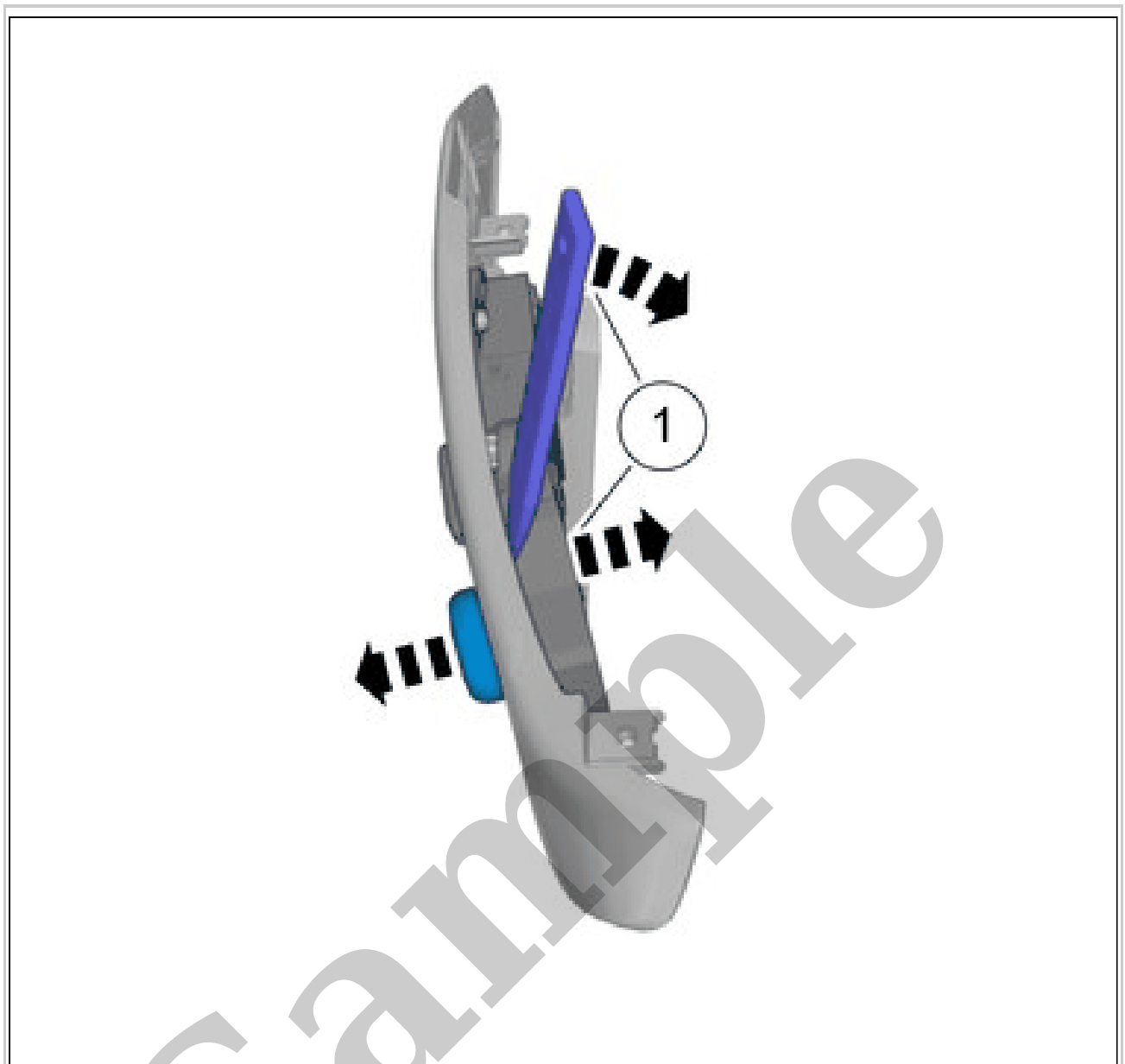
Disconnect the connector.



Courtesy of VOLVO CARS CORPORATION

Remove the marked part.

**SEAT TRACK FRONT SEAT > SEAT TRACK FRONT SEAT [2018-2022] > REMOVAL > VEHICLES WITH POWER SEATS**



Courtesy of VOLVO CARS CORPORATION

Remove the marked part.

### **SIDE PANEL FRONT SEAT > SIDE PANEL FRONT SEAT [2018-2022] > INSTALLATION**

To install, reverse the removal procedure.

### **BACKREST FOLDING LOCK > BACKREST FOLDING LOCK [2018-2022] > REMOVAL > APPLIES TO THE LEFT-HAND SIDE:**

Remove rear seat backrest, left. Refer to: REAR SEAT BACKREST, LEFT

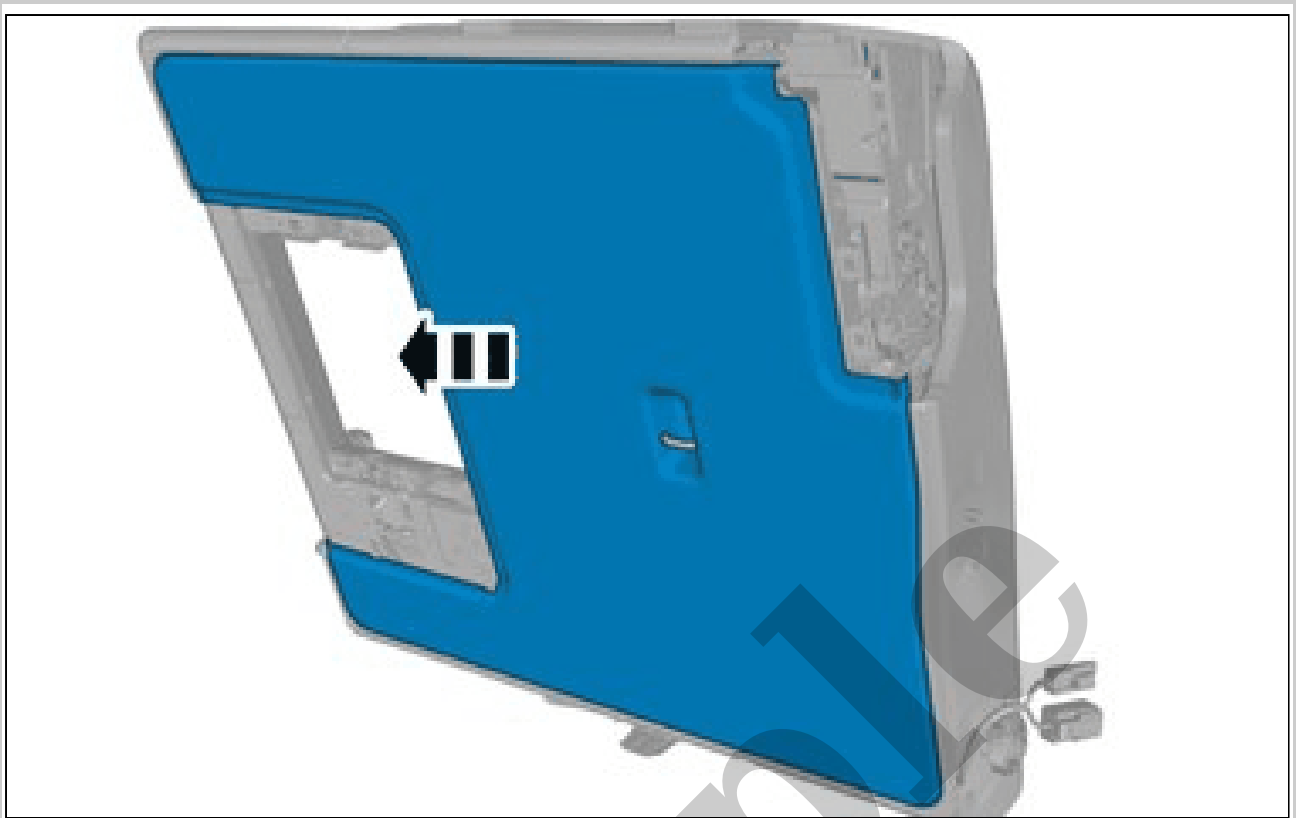
Remove head restraint, second seat row. Refer to: HEAD RESTRAINT, SECOND SEAT ROW



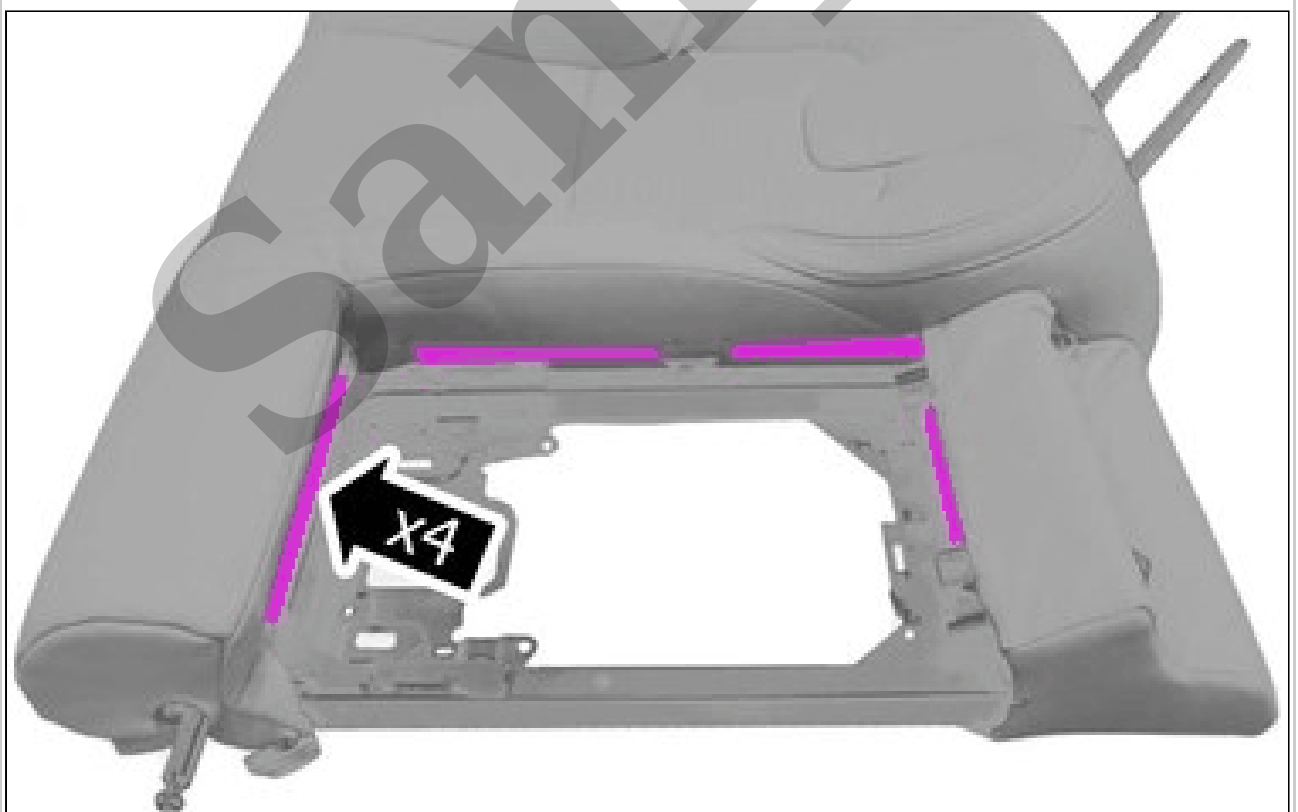


Courtesy of VOLVO CARS CORPORATION

Remove the screws.



Courtesy of VOLVO CARS CORPORATION



Courtesy of VOLVO CARS CORPORATION