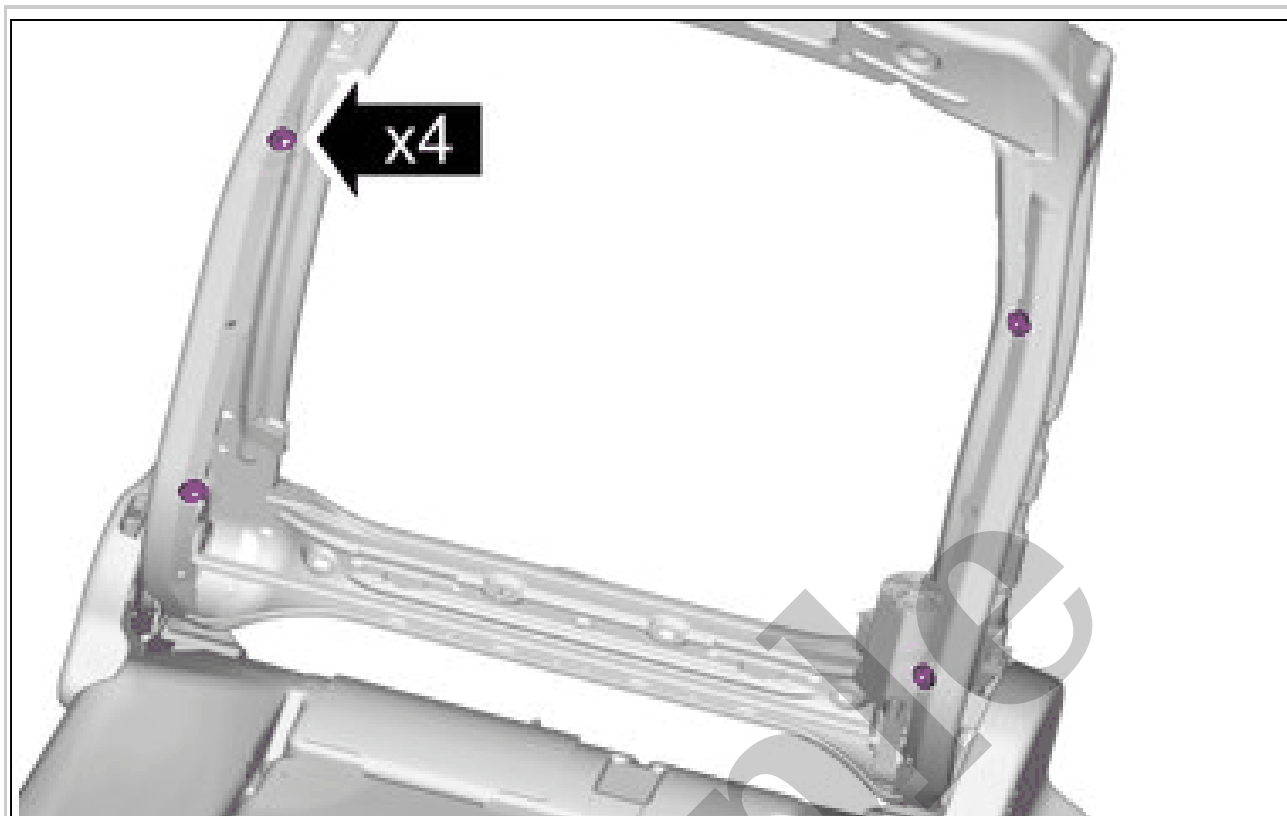


Your Ultimate Source for OEM Repair Manuals

FactoryManuals.net is a great resource for anyone who wants to save money on repairs by doing their own work. The manuals provide detailed instructions and diagrams that make it easy to understand how to fix a vehicle.

2004 VOLVO S80 OEM Service and Repair Workshop Manual

[Go to manual page](#)



Courtesy of VOLVO CARS CORPORATION

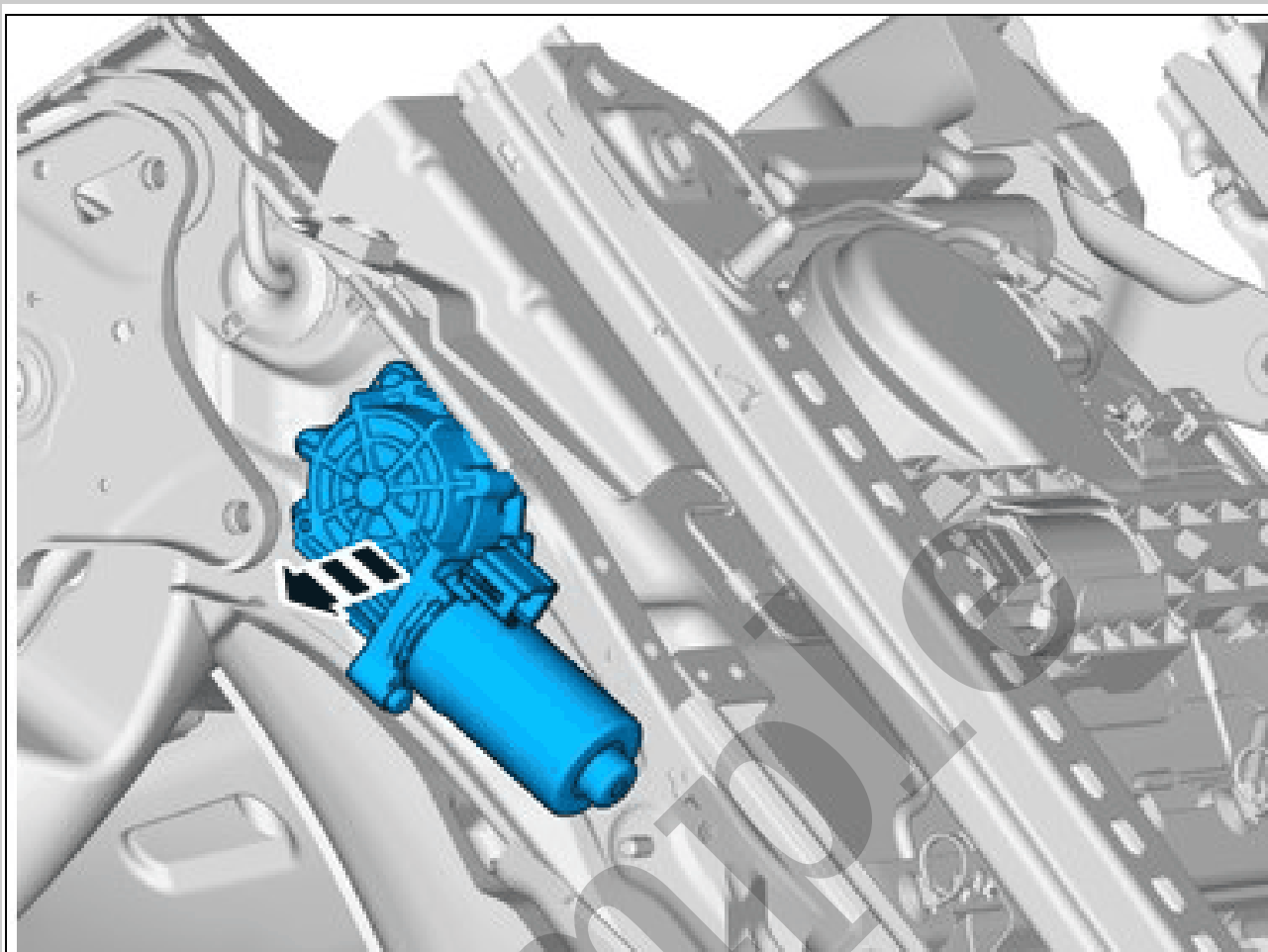
Remove the fasteners.

LUMBAR SUPPORT FRONT SEAT > LUMBAR SUPPORT FRONT SEAT [2018-2022] > INSTALLATION

To install, reverse the removal procedure.

MOTOR, SEAT HEIGHT ADJUSTMENT > MOTOR, SEAT HEIGHT ADJUSTMENT [2018-2022] > REMOVAL

Remove front seat. Refer to: FRONT SEAT



Courtesy of VOLVO CARS CORPORATION

Remove the marked part.

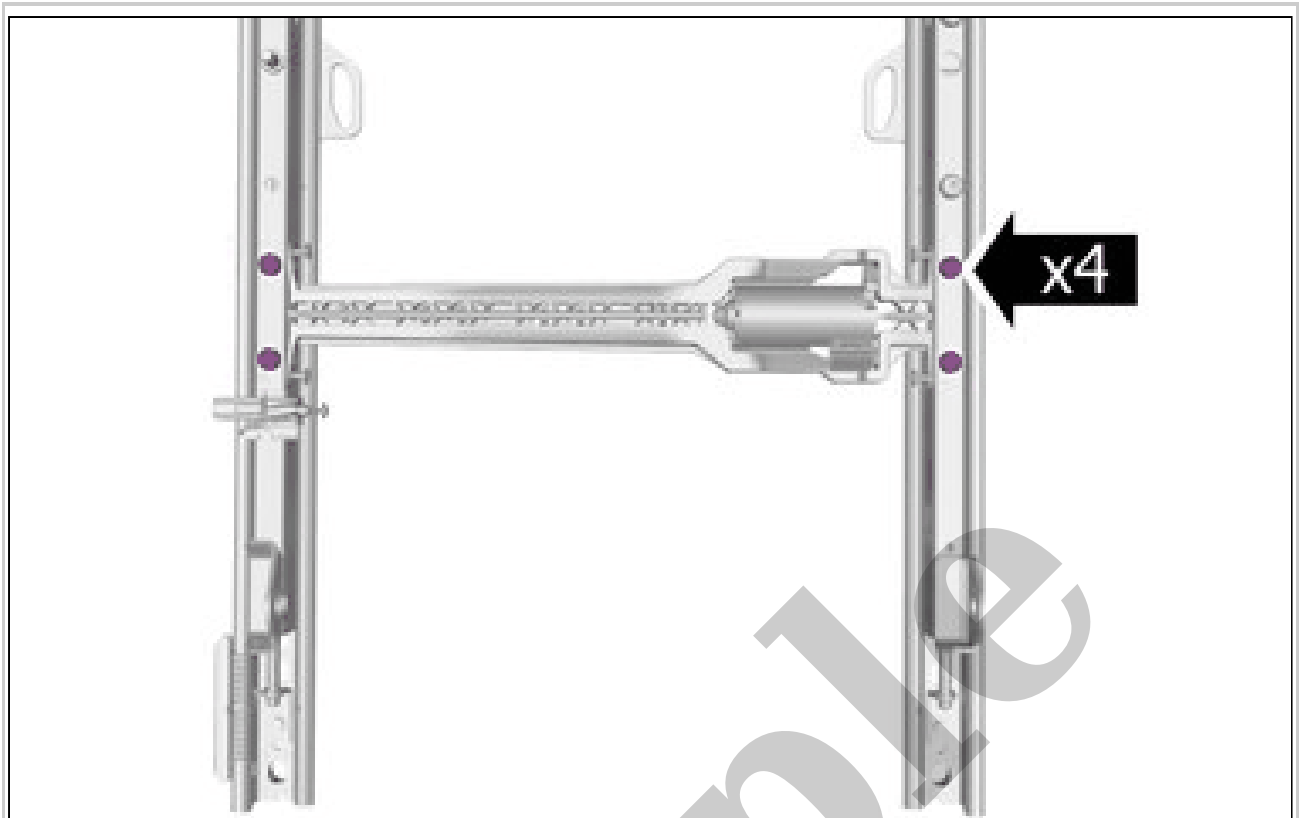
MOTOR, SEAT HEIGHT ADJUSTMENT > MOTOR, SEAT HEIGHT ADJUSTMENT [2018-2022] > INSTALLATION

To install, reverse the removal procedure.

MOTOR, SEAT POSITION ADJUSTMENT > MOTOR, SEAT POSITION ADJUSTMENT [2018-2022] > REMOVAL

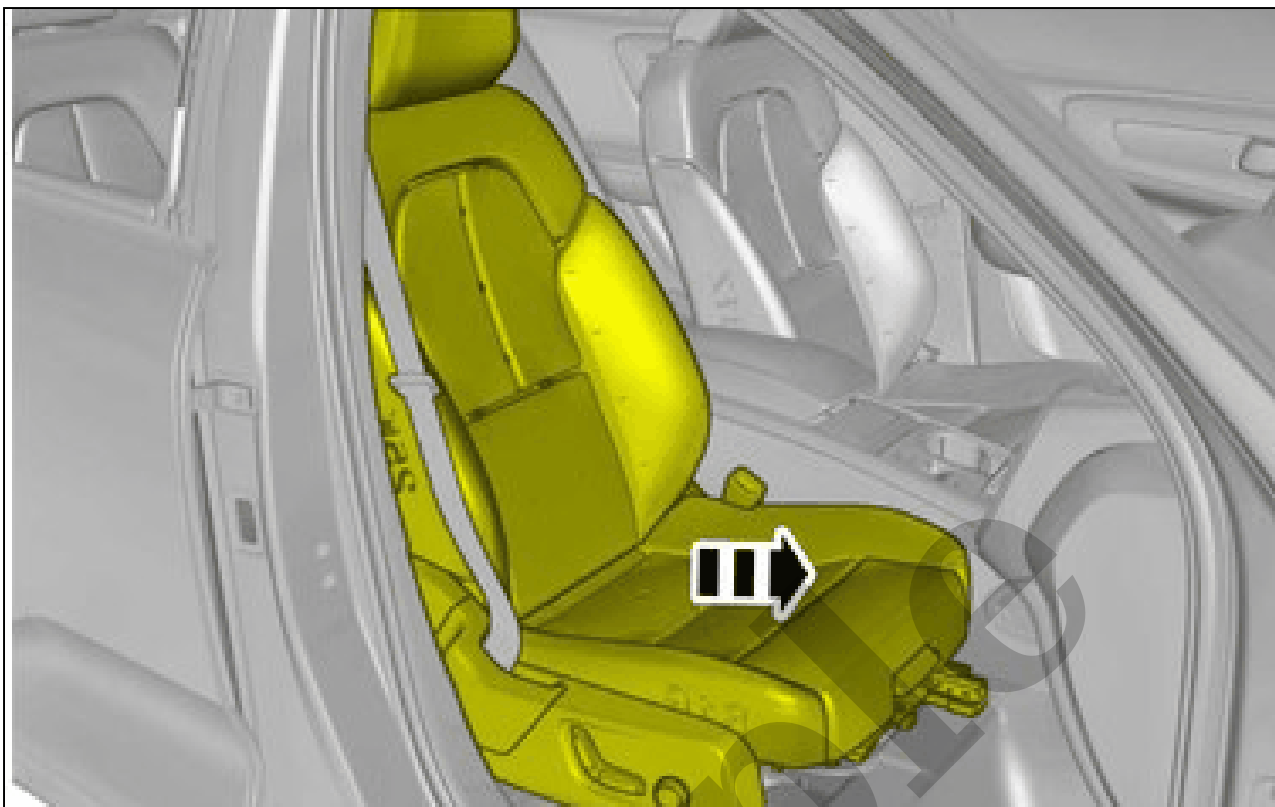
NOTE: *Removal steps in this procedure may contain installation details.*

Remove front seat. Refer to: FRONT SEAT



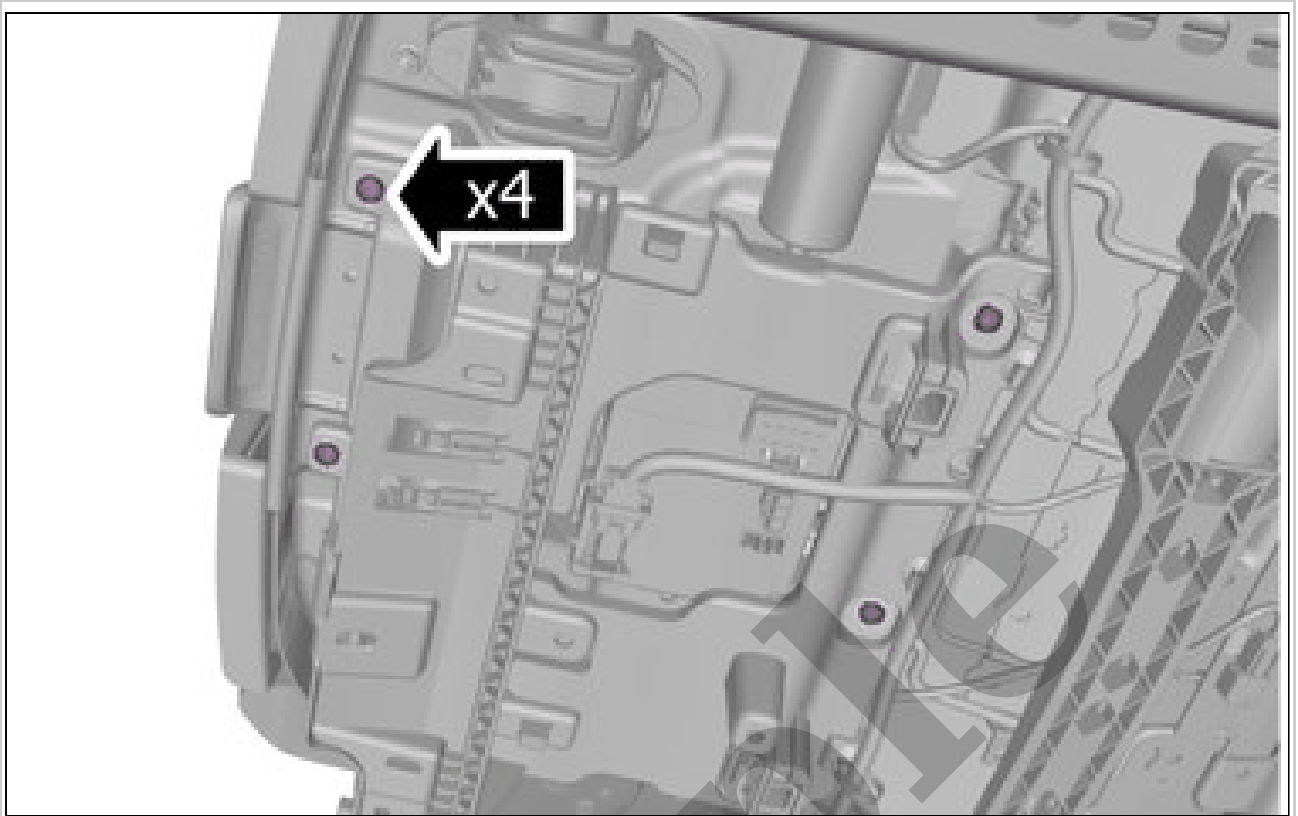
Courtesy of VOLVO CARS CORPORATION

Remove the screws.



Courtesy of VOLVO CARS CORPORATION

Sample



Courtesy of VOLVO CARS CORPORATION

Remove the screws.



Courtesy of VOLVO CARS CORPORATION

Torque: Front seat to body, 40Nm
Loosen the screws.



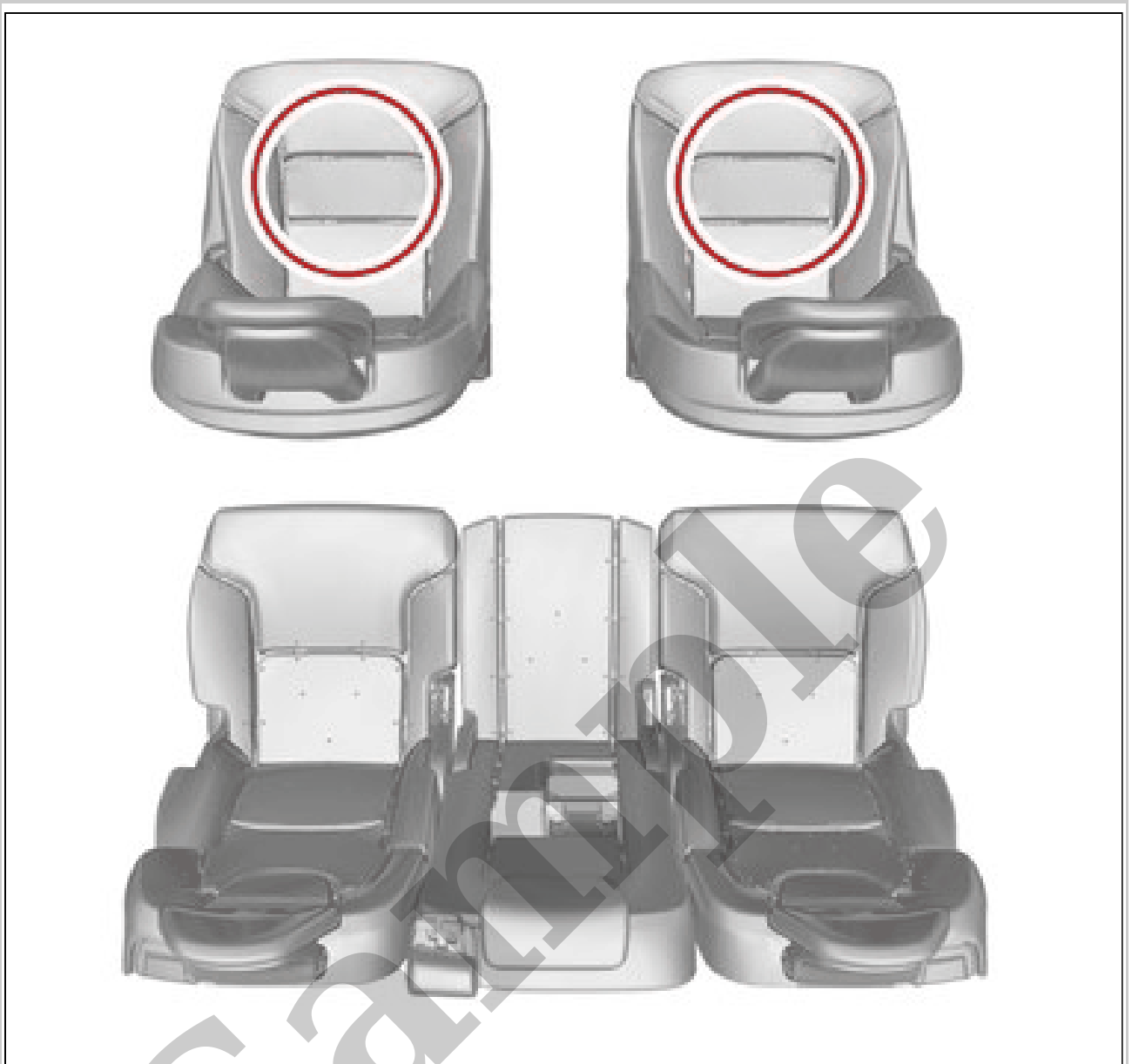
Courtesy of VOLVO CARS CORPORATION

Disconnect the connectors.



Courtesy of VOLVO CARS CORPORATION

Loosen the fastener.



Courtesy of VOLVO CARS CORPORATION

NOTE: *Orientation view*