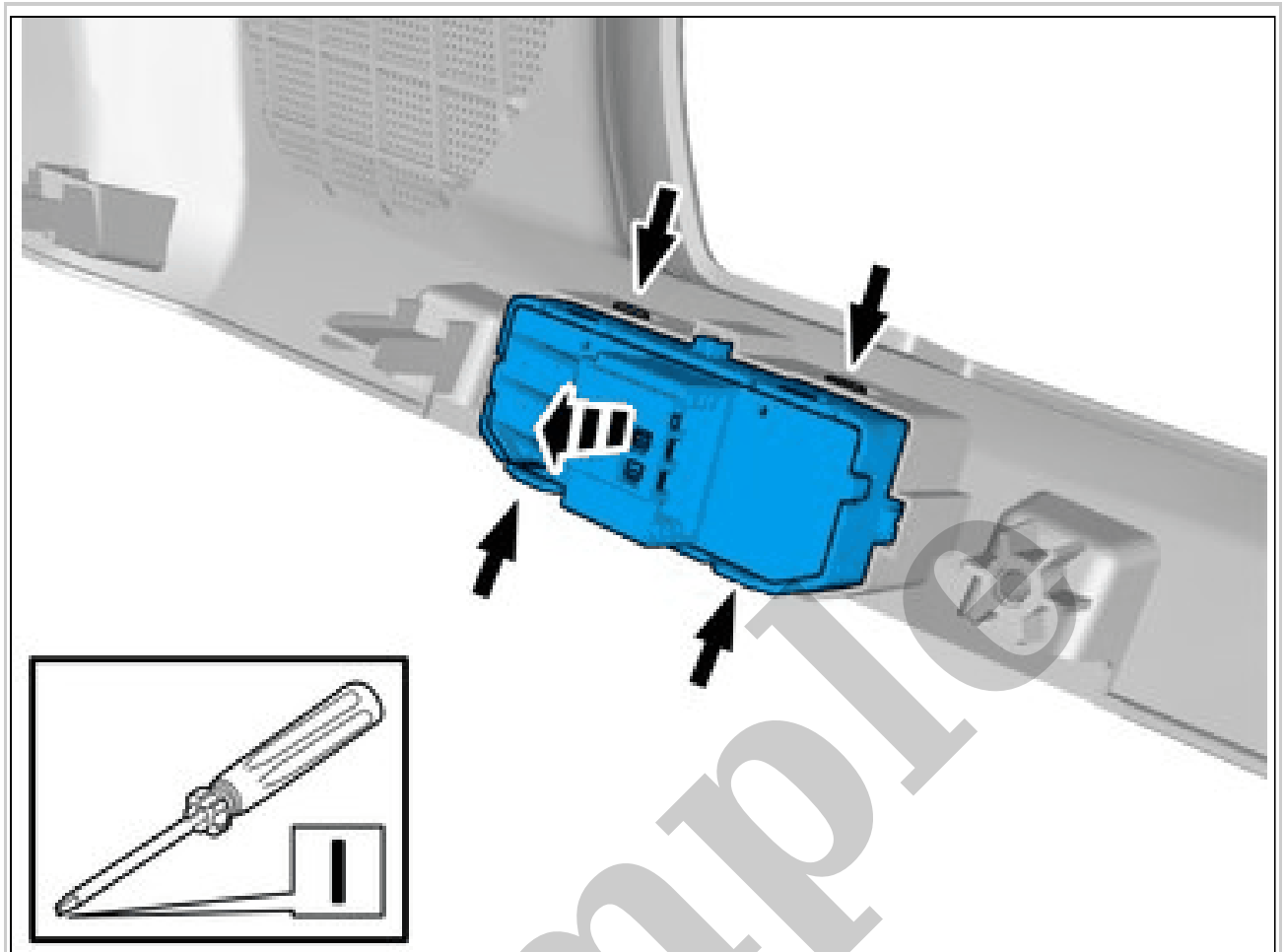


# Your Ultimate Source for OEM Repair Manuals

FactoryManuals.net is a great resource for anyone who wants to save money on repairs by doing their own work. The manuals provide detailed instructions and diagrams that make it easy to understand how to fix a vehicle.

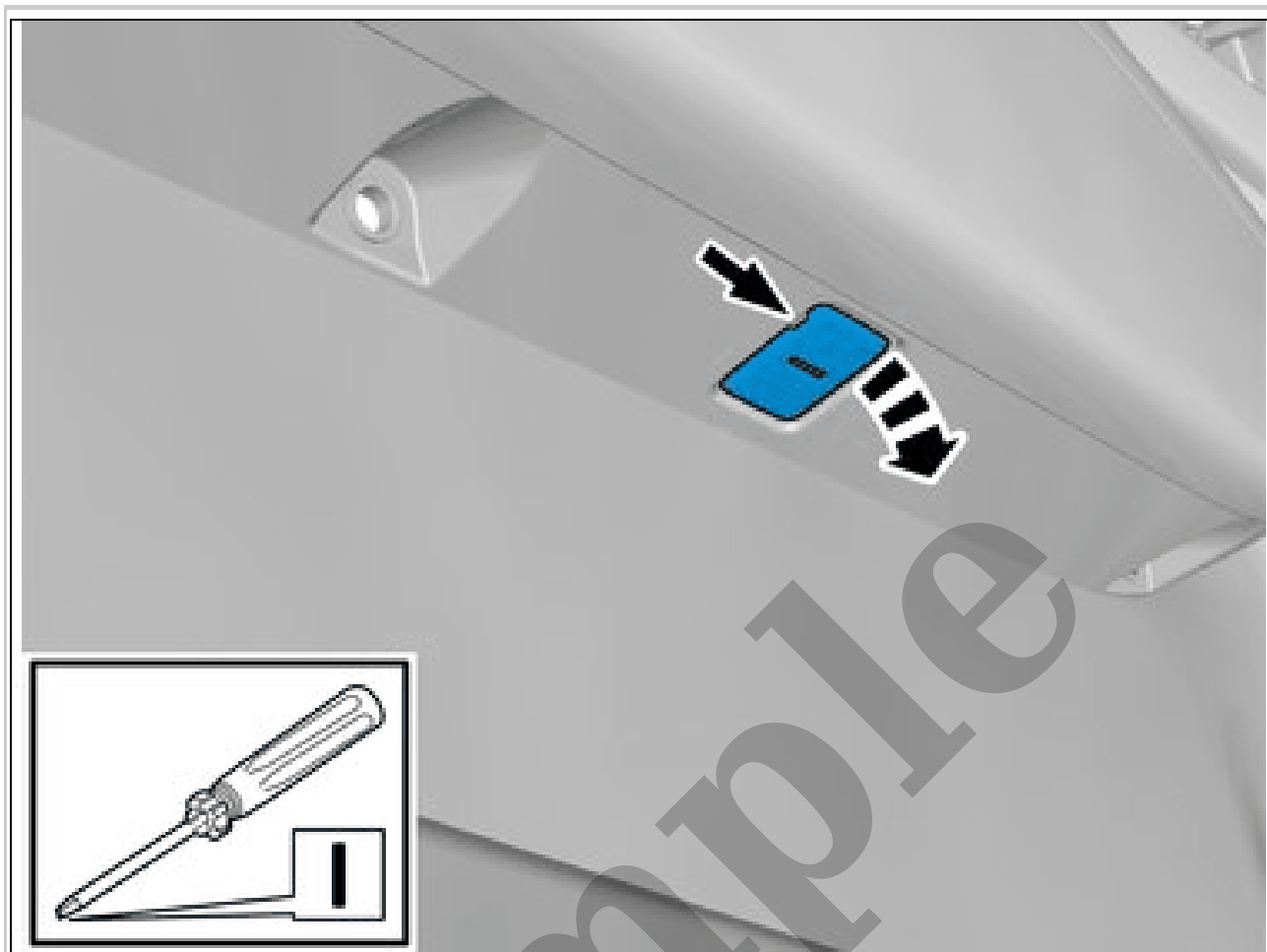
## 2004 VOLVO S60 OEM Service and Repair Workshop Manual

[Go to manual page](#)



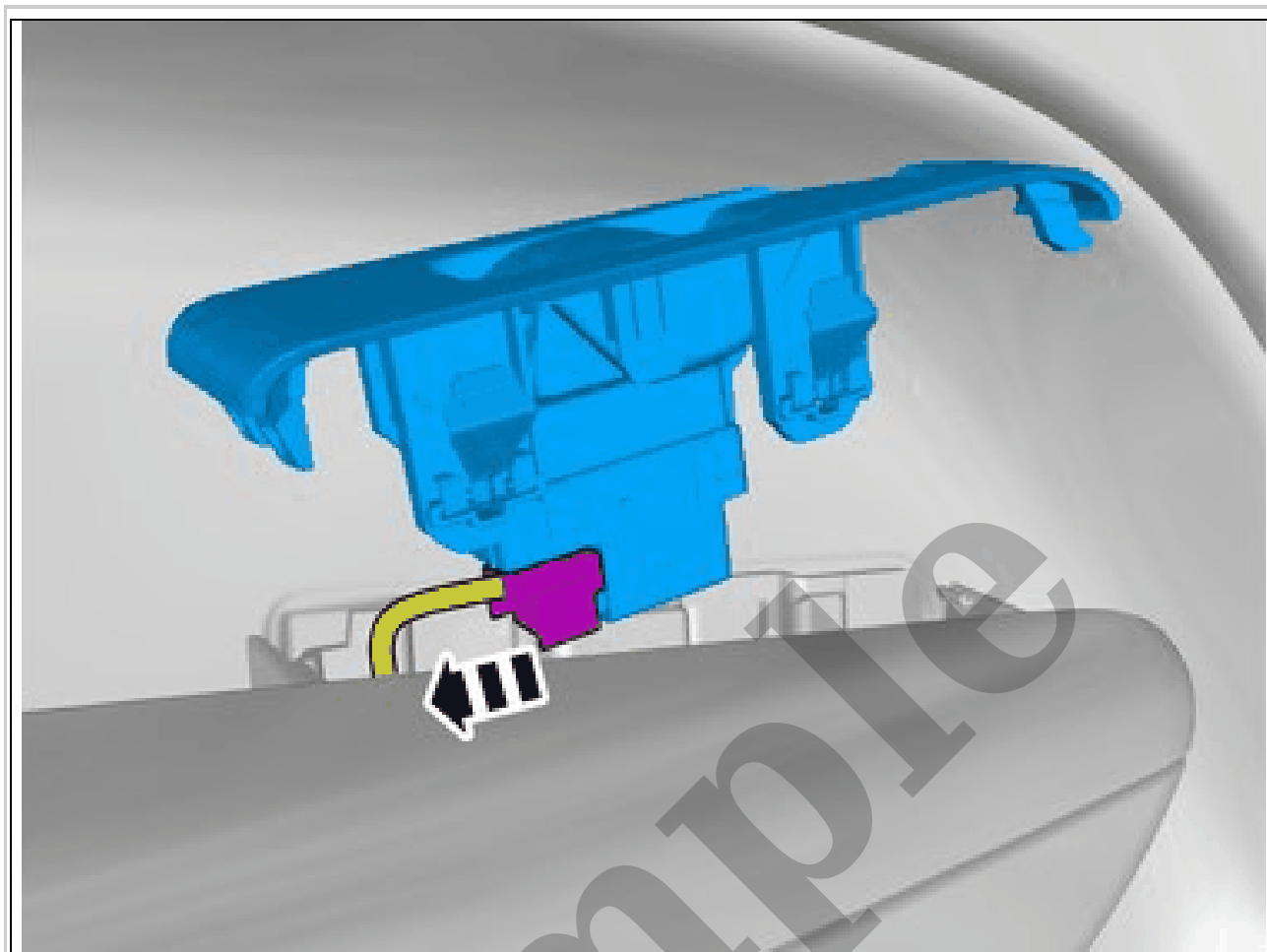
Courtesy of VOLVO CARS CORPORATION

Release the catches.  
Remove the marked part.



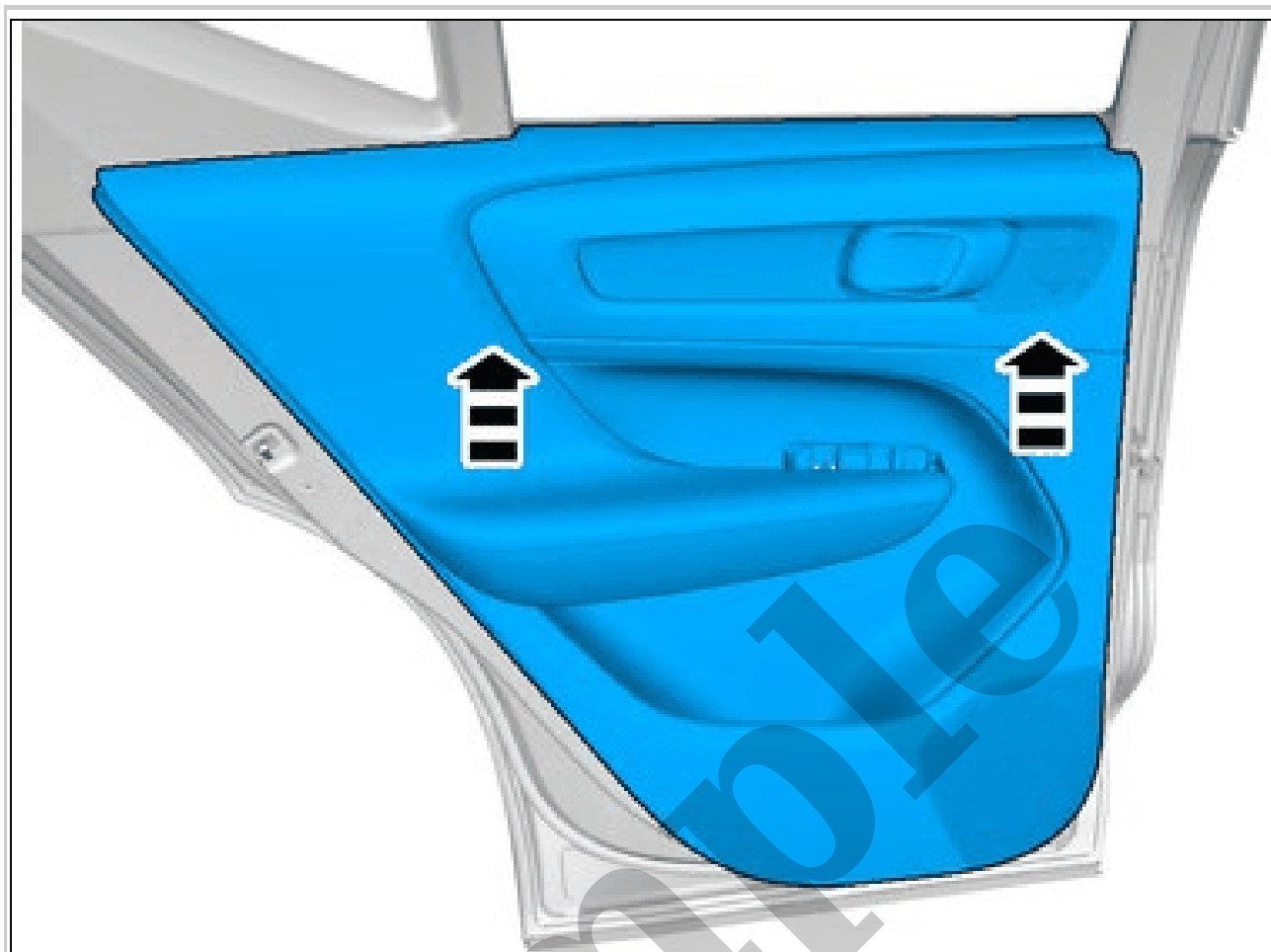
Courtesy of VOLVO CARS CORPORATION

Remove the part carefully



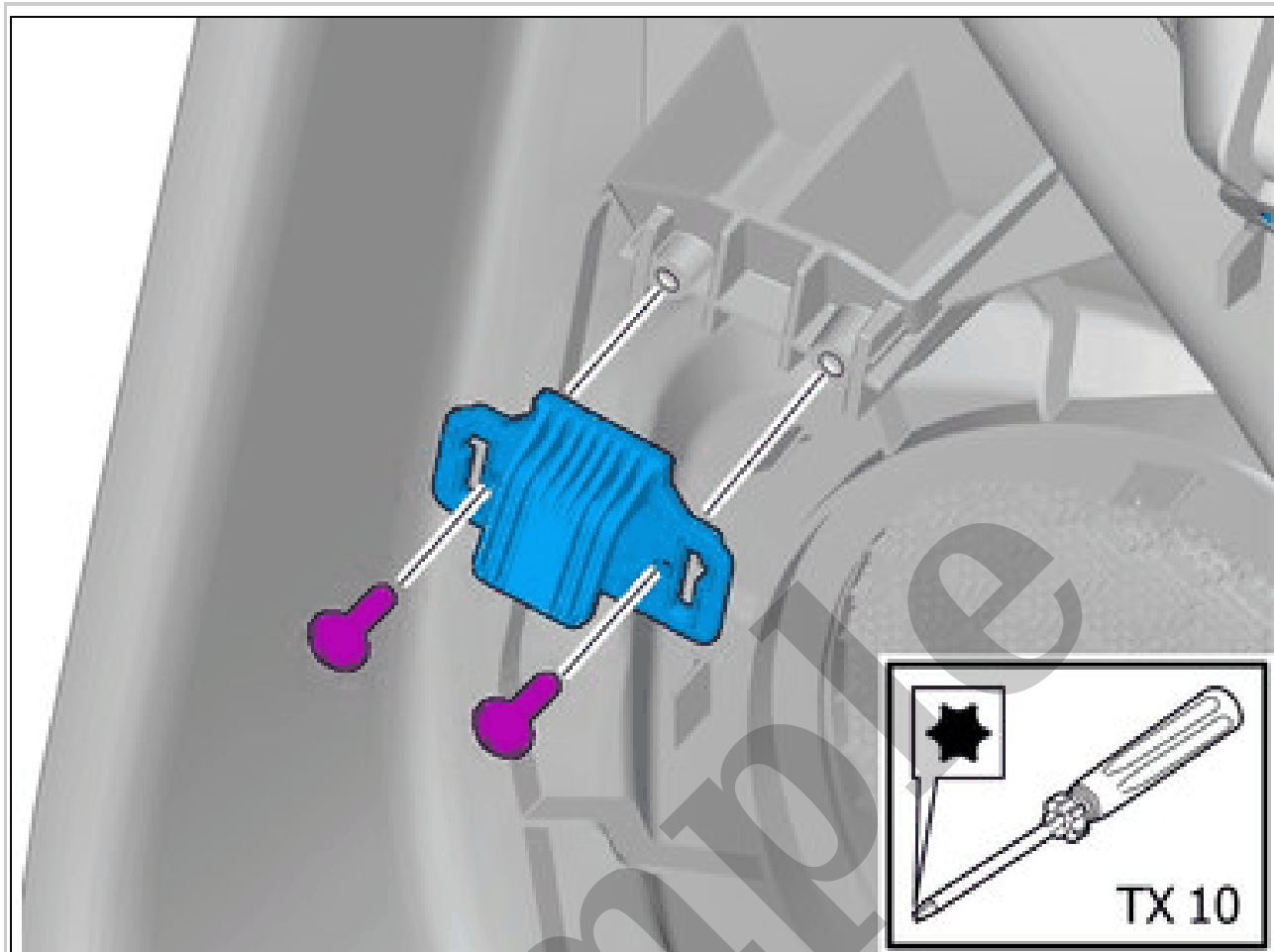
Courtesy of VOLVO CARS CORPORATION

Disconnect the connector.



Courtesy of VOLVO CARS CORPORATION

Remove the marked part.



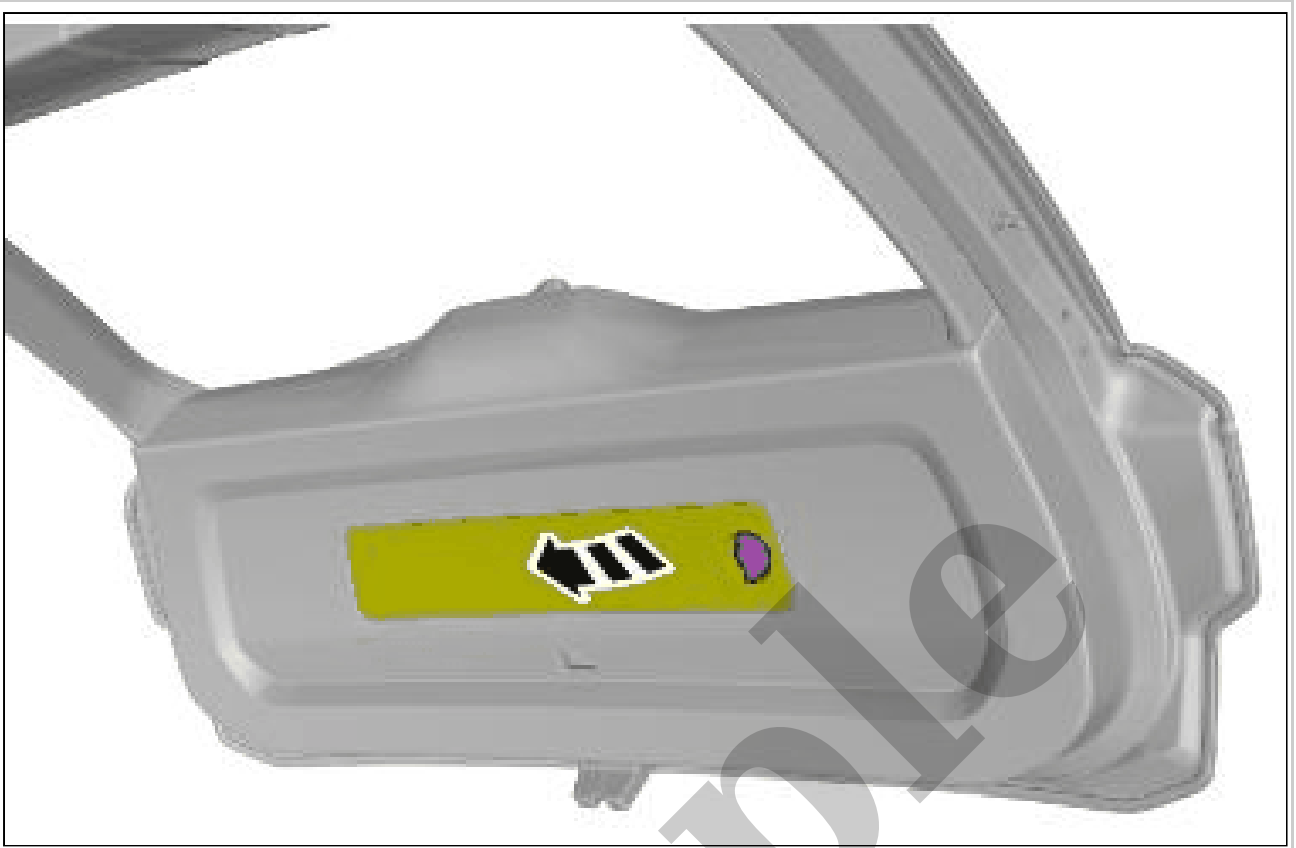
Courtesy of VOLVO CARS CORPORATION

#### INSTALLATION

To install, reverse the removal procedure.

#### TAILGATE/TRUNK LID PANEL > TAILGATE/TRUNK LID PANEL [2018-2022] > REMOVAL

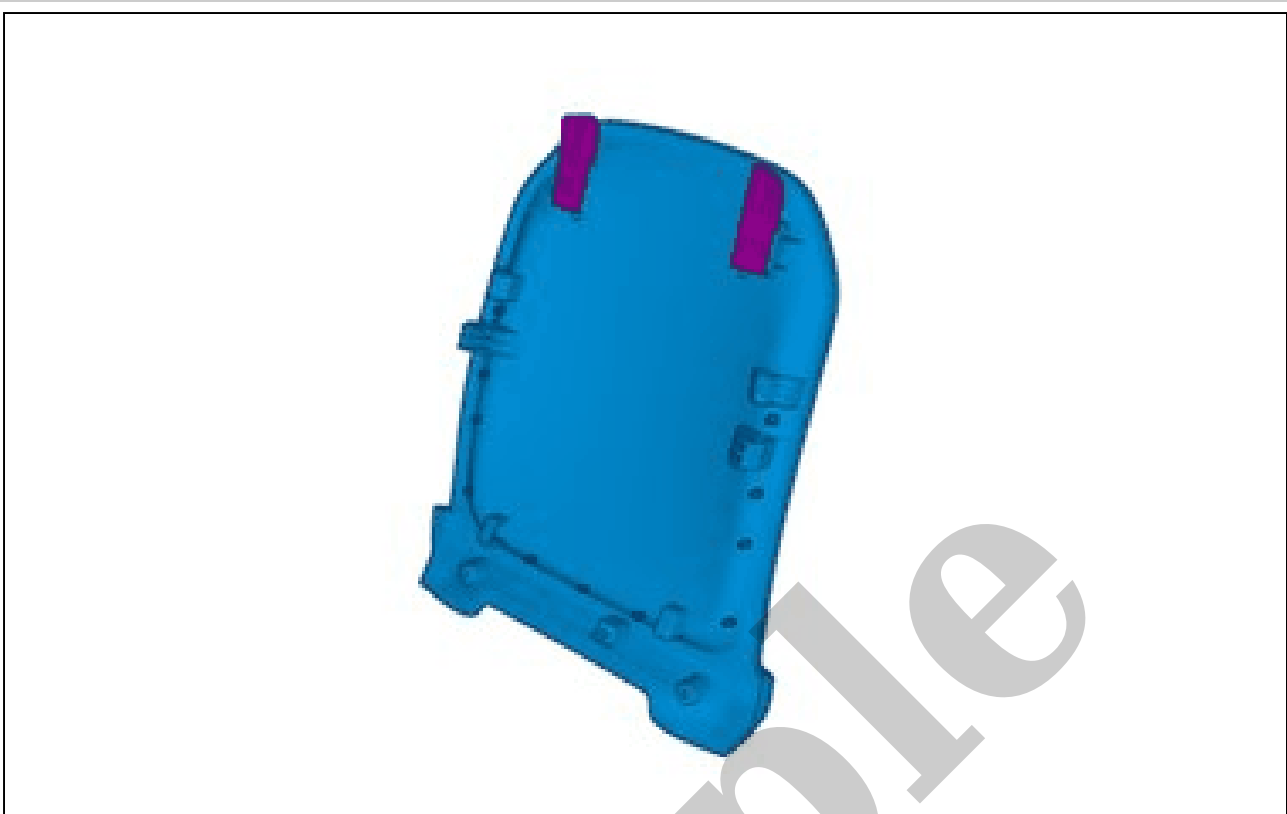
**NOTE:** *Removal steps in this procedure may contain installation details.*



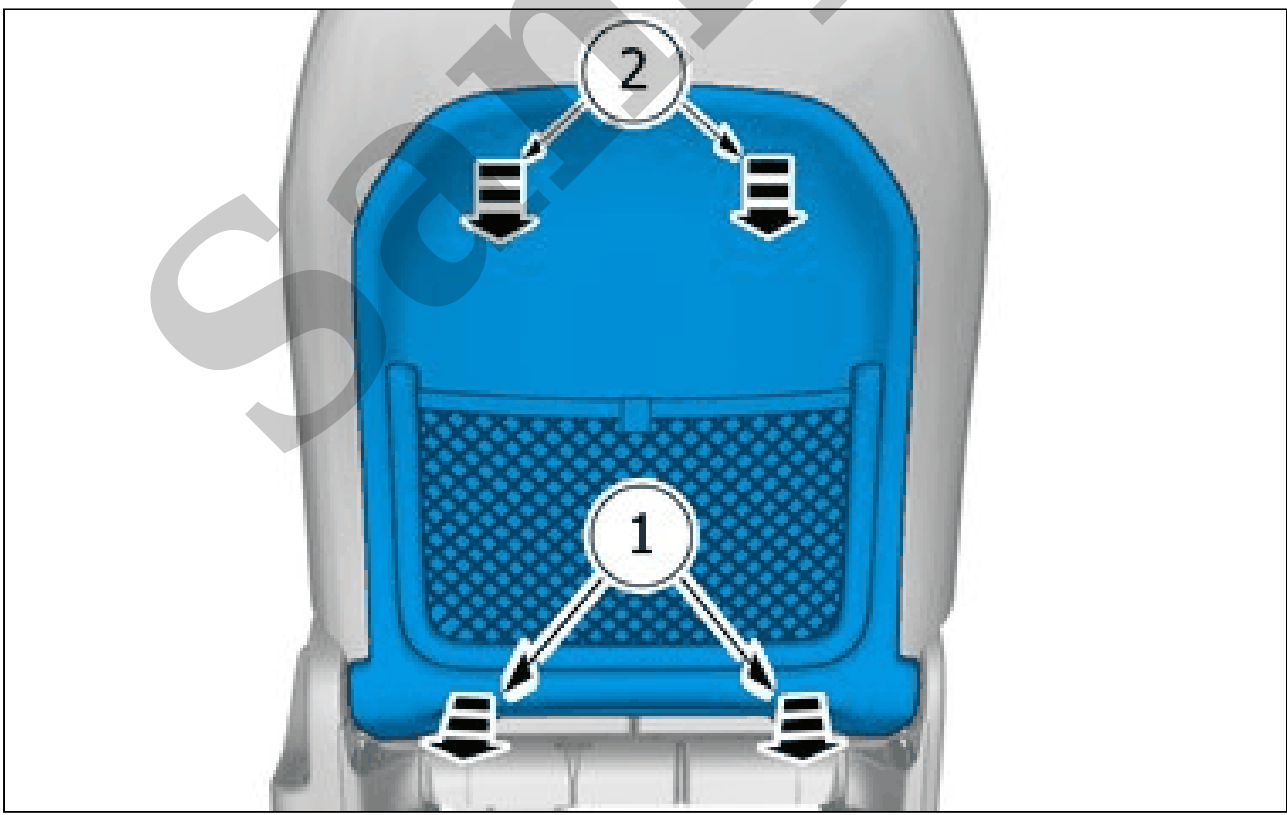
Courtesy of VOLVO CARS CORPORATION

Release the lock.

Sample

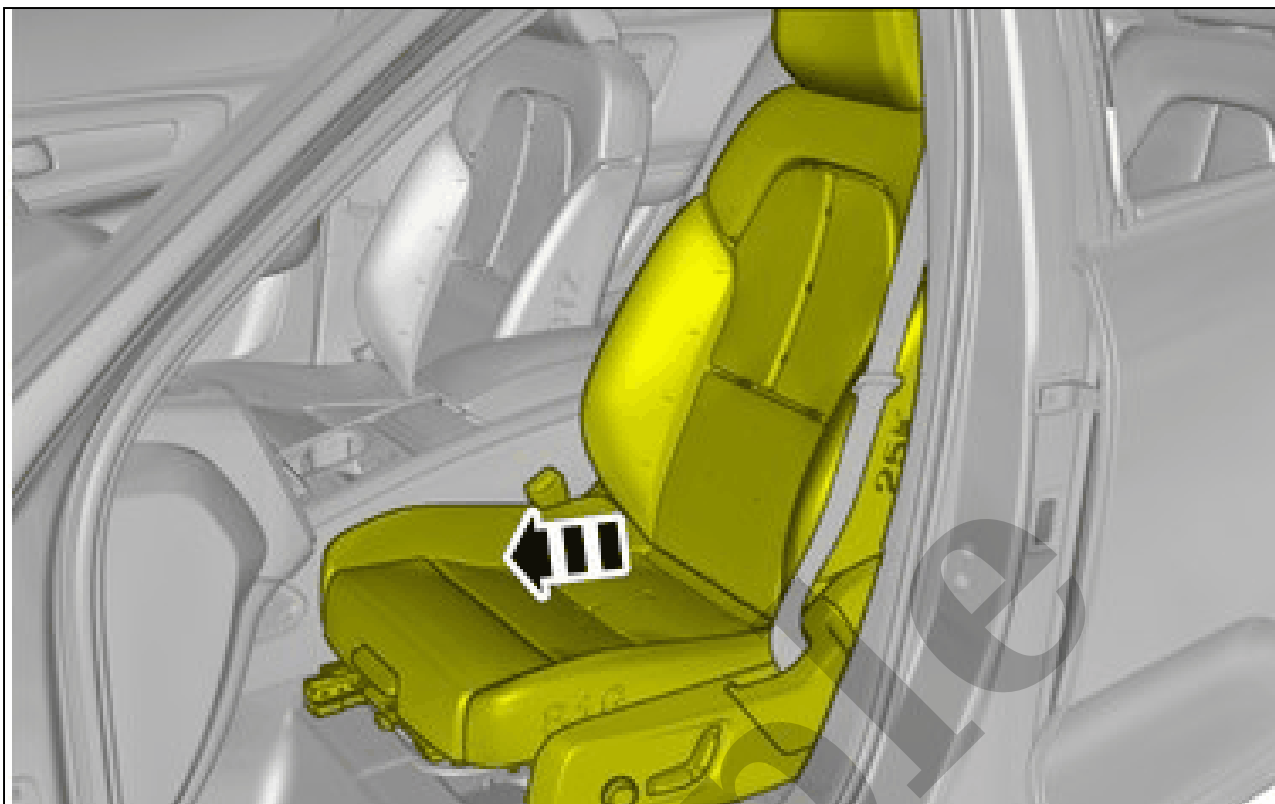


Courtesy of VOLVO CARS CORPORATION



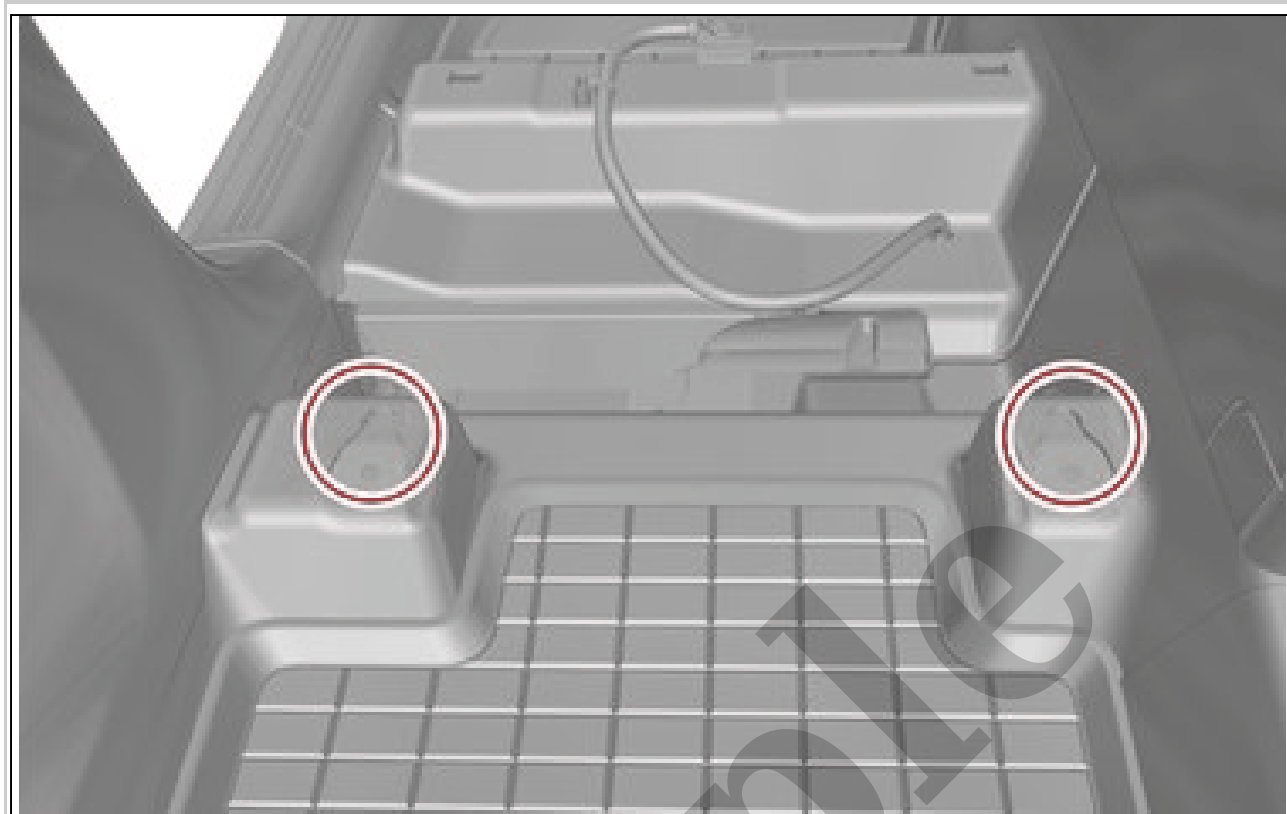
Courtesy of VOLVO CARS CORPORATION





Courtesy of VOLVO CARS CORPORATION

Sample



Courtesy of VOLVO CARS CORPORATION

**NOTE:** *Orientation view*