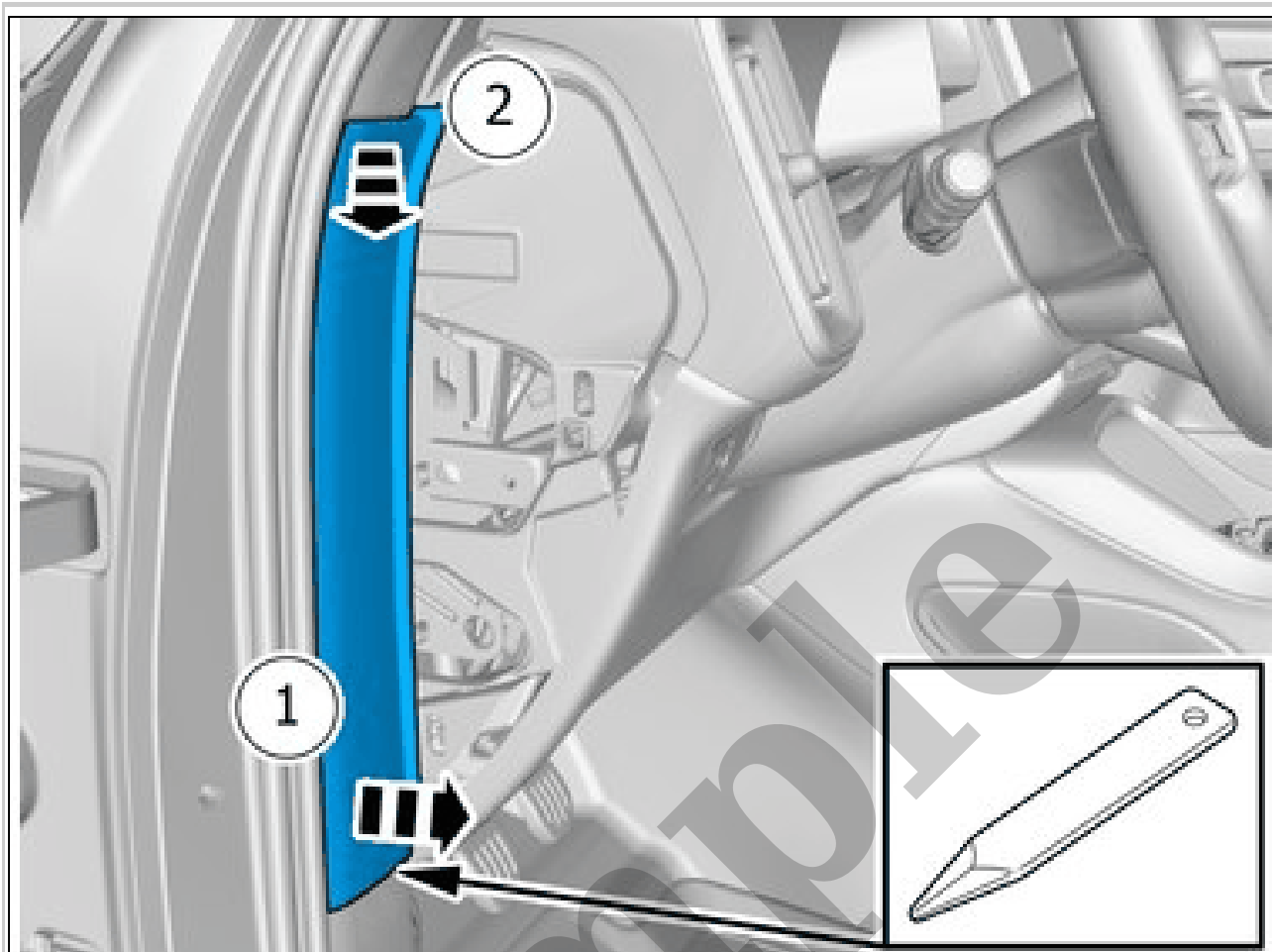


# Your Ultimate Source for OEM Repair Manuals

FactoryManuals.net is a great resource for anyone who wants to save money on repairs by doing their own work. The manuals provide detailed instructions and diagrams that make it easy to understand how to fix a vehicle.

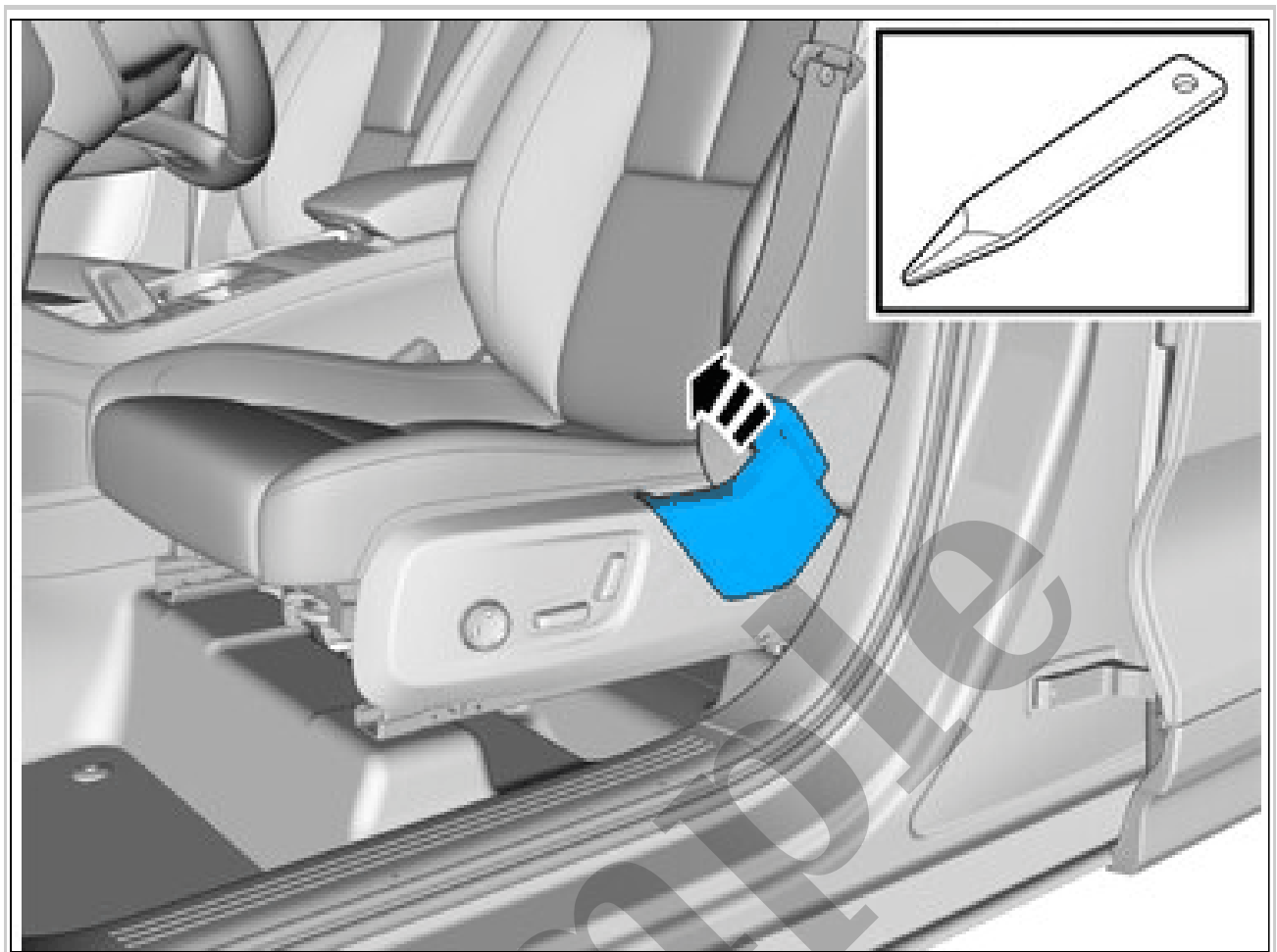
## 2004 VOLVO S40 OEM Service and Repair Workshop Manual

[Go to manual page](#)



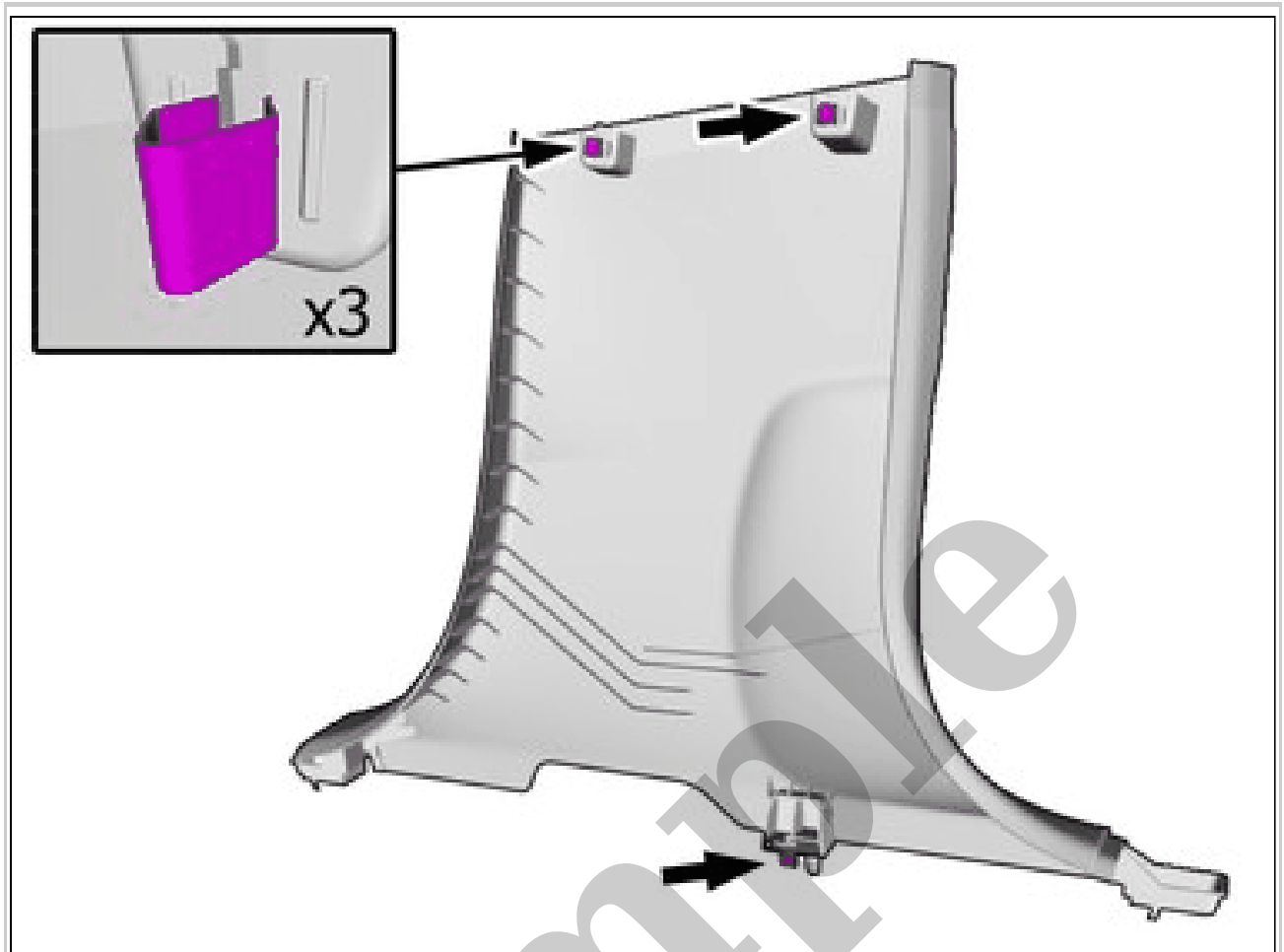
Courtesy of VOLVO CARS CORPORATION

Remove the marked part.  
**Use:** Interior trim remover



Courtesy of VOLVO CARS CORPORATION

Remove the marked part.



Courtesy of VOLVO CARS CORPORATION

The graphic shows the back of the component.



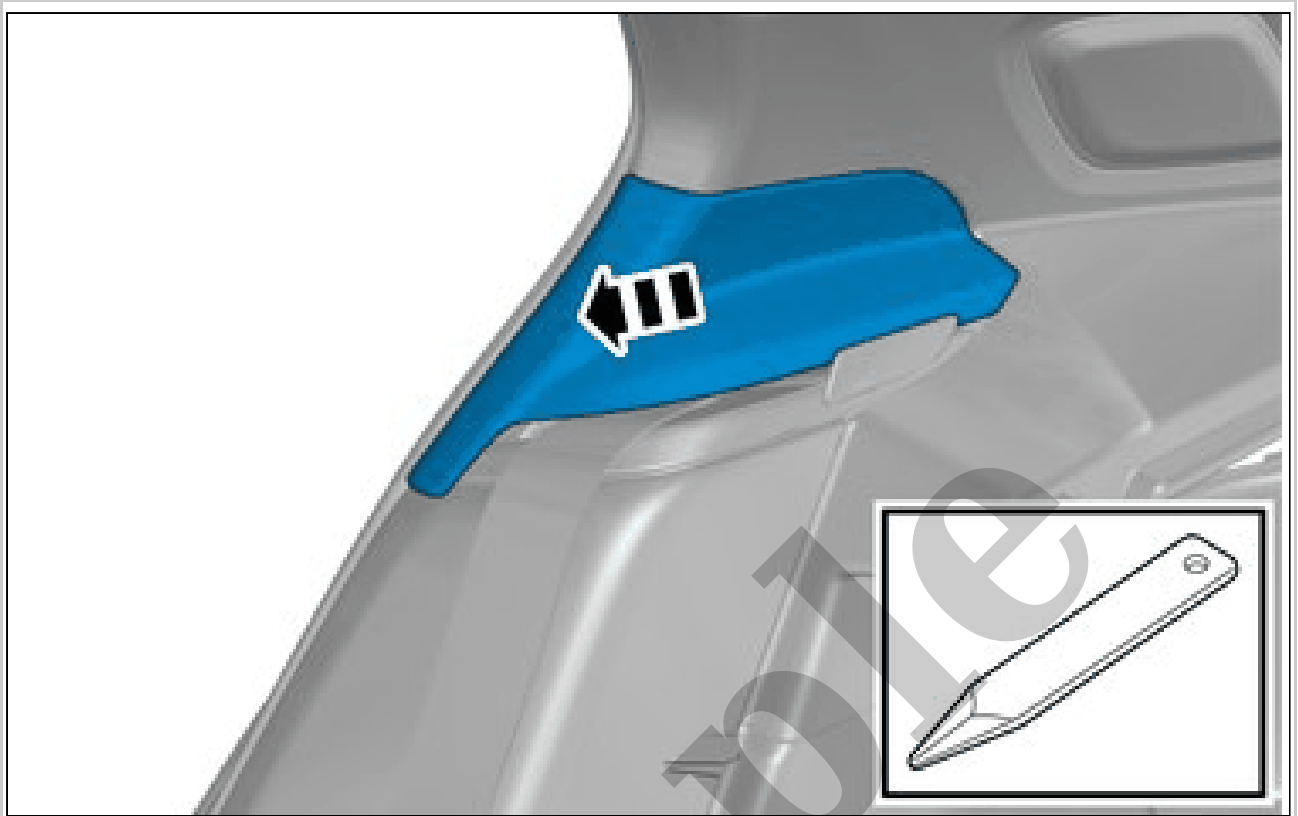
Courtesy of VOLVO CARS CORPORATION

Check for correct operation.

### C-PILLAR TRIM PANEL > C-PILLAR TRIM PANEL [2018-2022] > REMOVAL

**NOTE:** Removal steps in this procedure may contain installation details.

The graphic shows the back of the component.



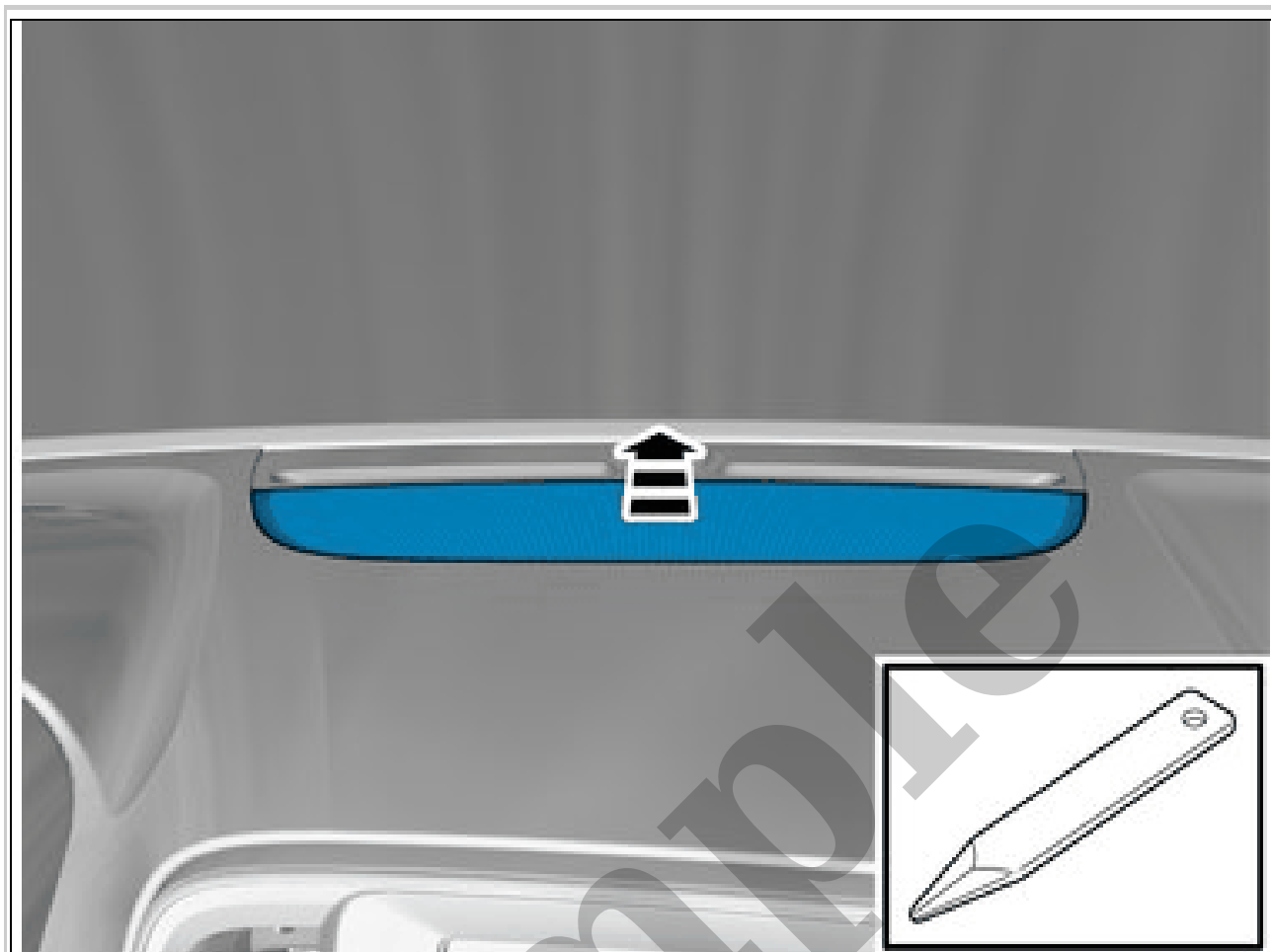
Courtesy of VOLVO CARS CORPORATION

Remove the marked part.



Courtesy of VOLVO CARS CORPORATION

The graphic shows the back of the component.



Courtesy of VOLVO CARS CORPORATION

Remove the marked part.

**Use:** Interior trim remover

## **GRILLE DASHBOARD SPEAKERS > GRILLE DASHBOARD SPEAKERS [2018-2022] > INSTALLATION**

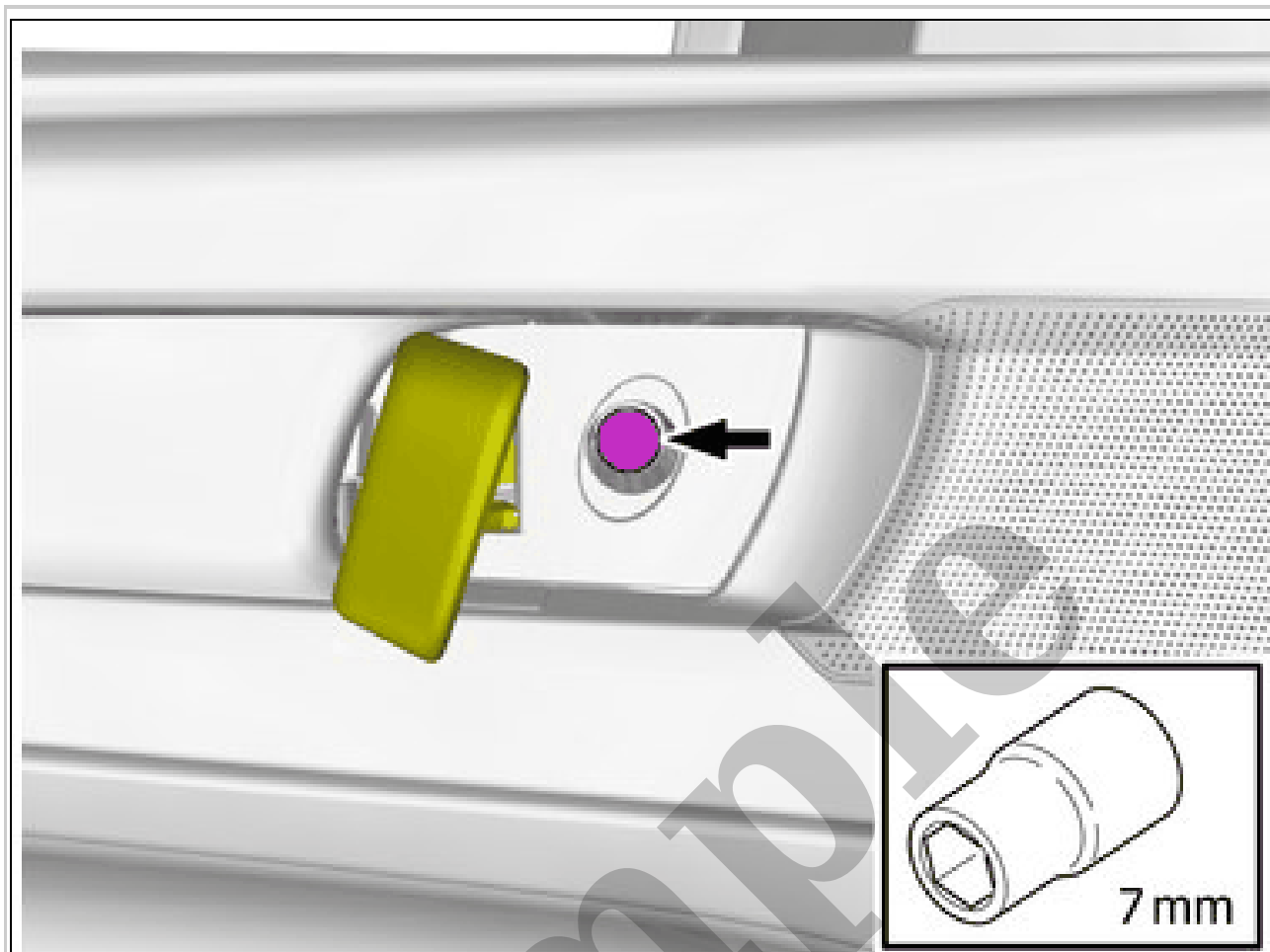
To install, reverse the removal procedure.

## **PANEL FRONT DOOR > PANEL FRONT DOOR [2018-2022] > REMOVAL AND INSTALLATION**

### **REMOVAL**

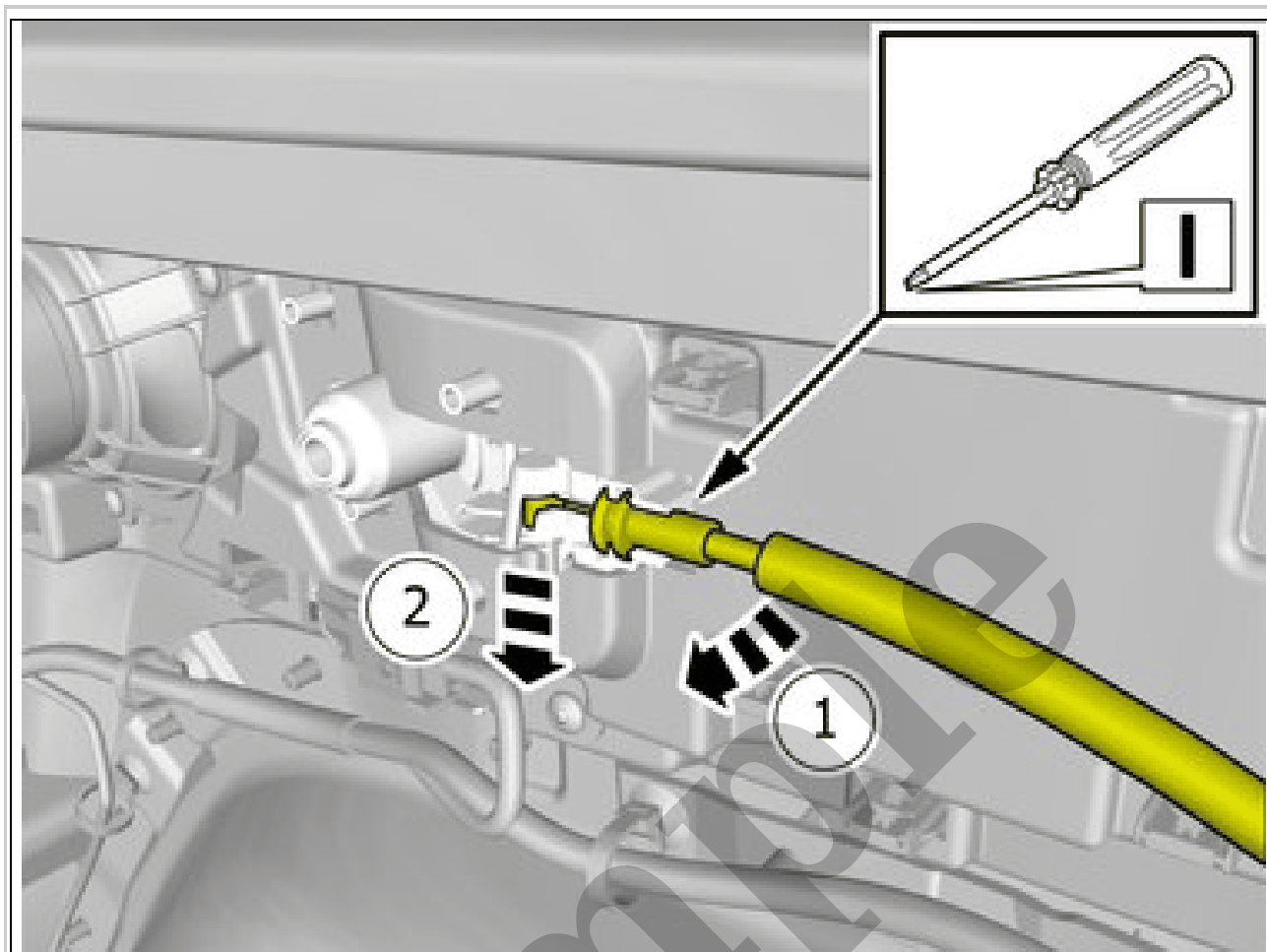
Set the vehicle to Inactive mode, described in user mode. Refer to: USAGE MODE





Courtesy of VOLVO CARS CORPORATION

Remove the screw.



Courtesy of VOLVO CARS CORPORATION

Remove the part carefully  
**TRANSFERRING COMPONENTS**