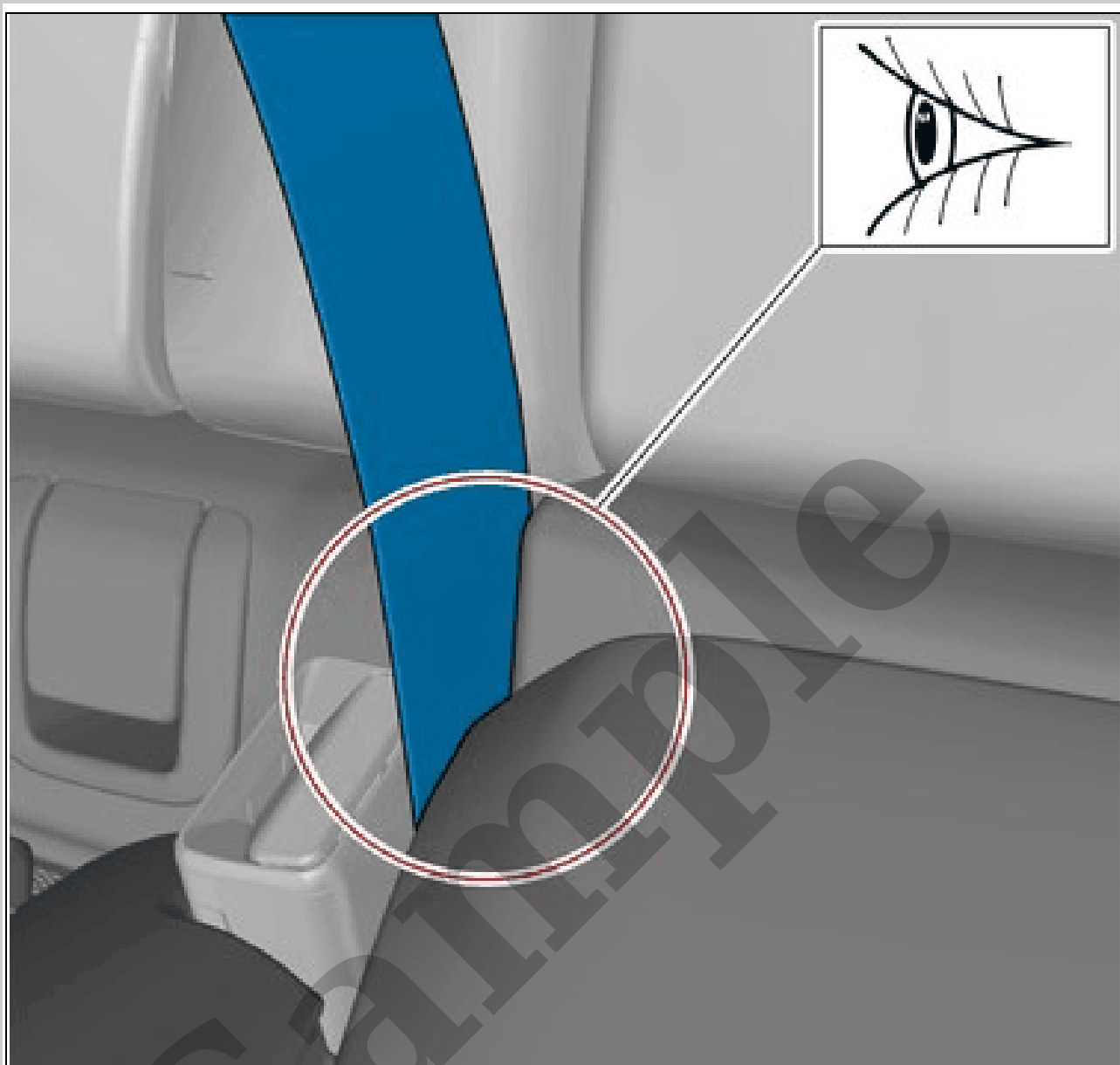


Your Ultimate Source for OEM Repair Manuals

FactoryManuals.net is a great resource for anyone who wants to save money on repairs by doing their own work. The manuals provide detailed instructions and diagrams that make it easy to understand how to fix a vehicle.

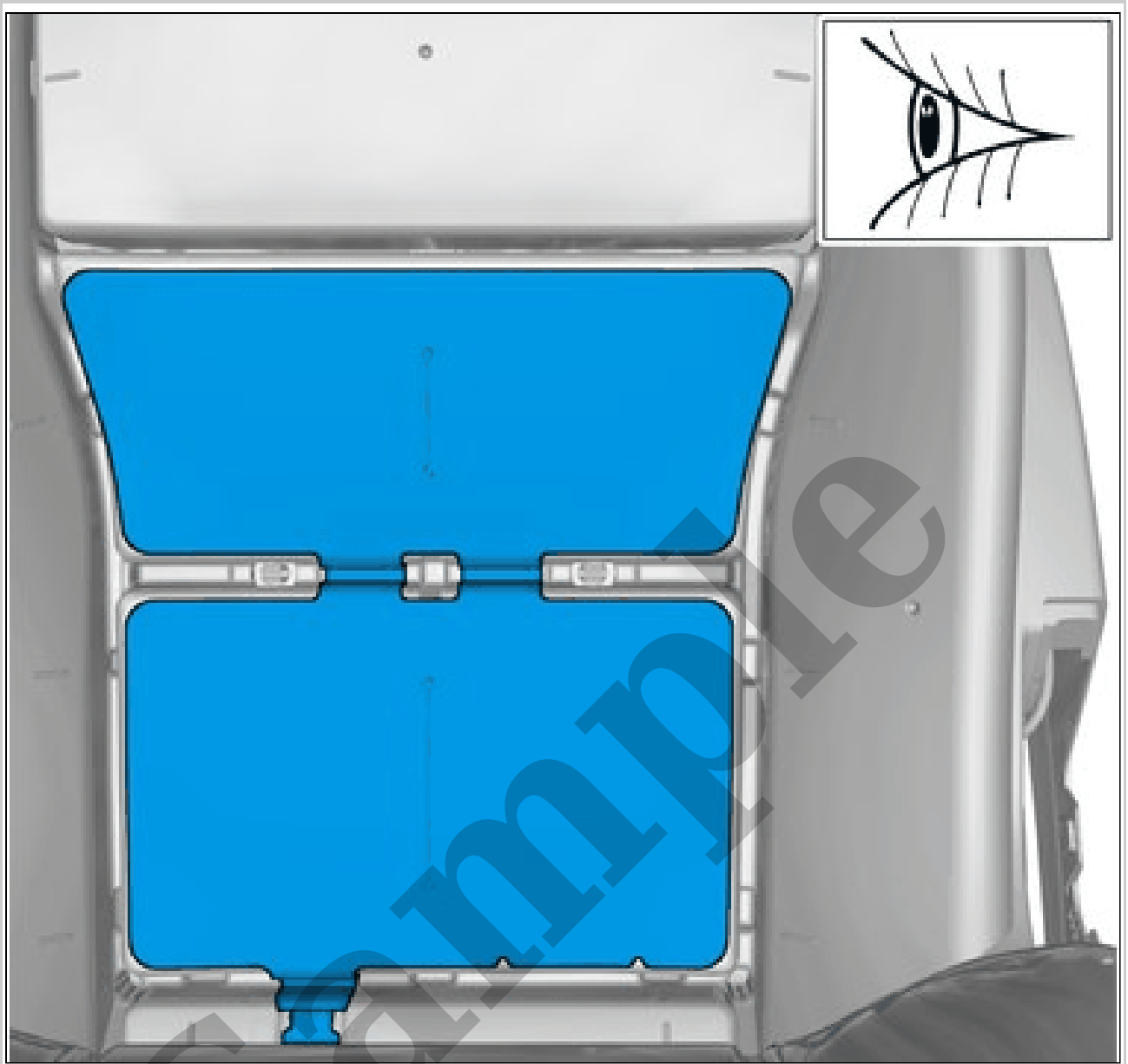
2003 VOLVO S80 OEM Service and Repair Workshop Manual

[Go to manual page](#)



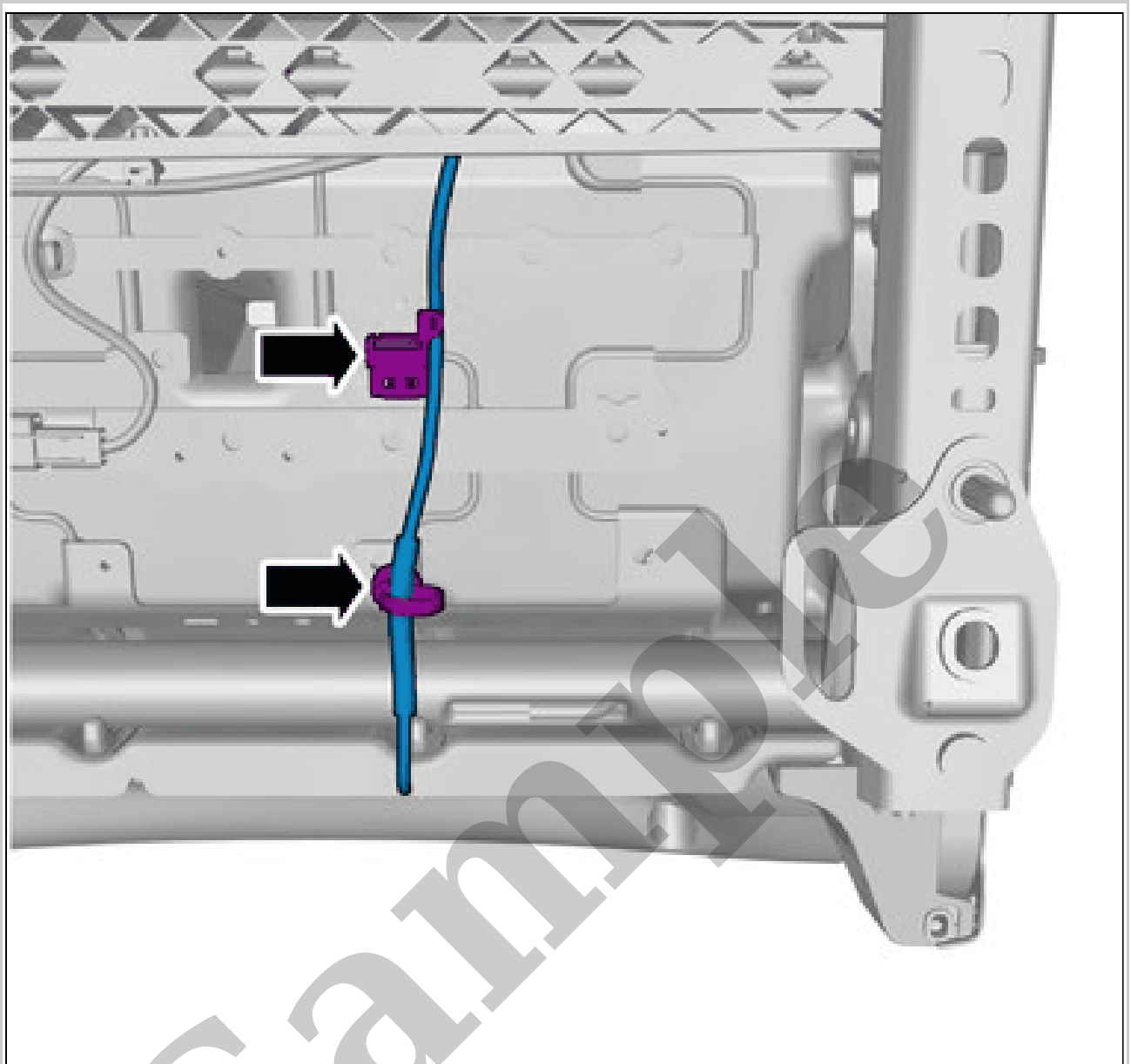
Courtesy of VOLVO CARS CORPORATION

WARNING: *Make sure to place the seat belt as the graphic shows.*



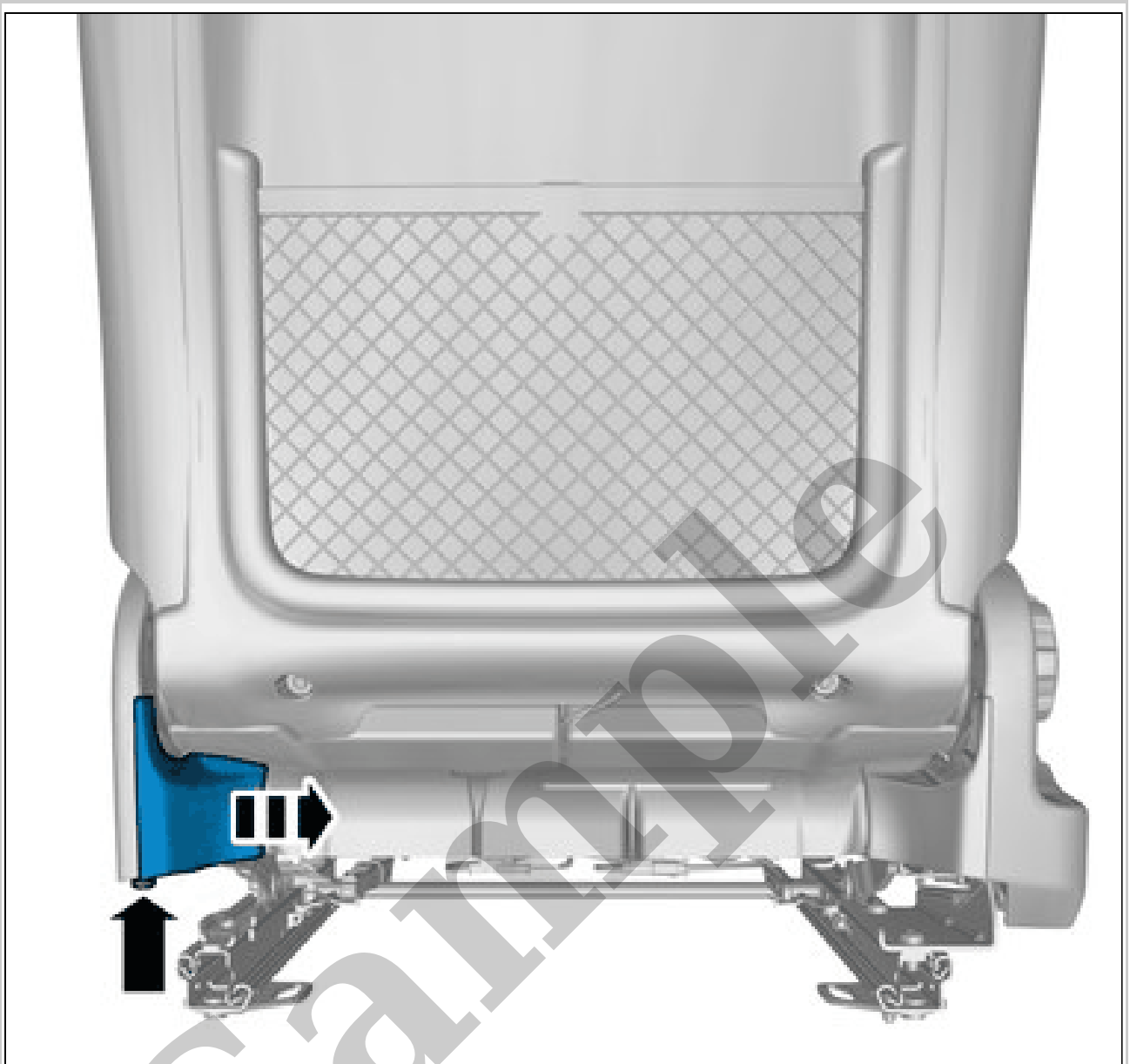
Courtesy of VOLVO CARS CORPORATION

Note position of components.



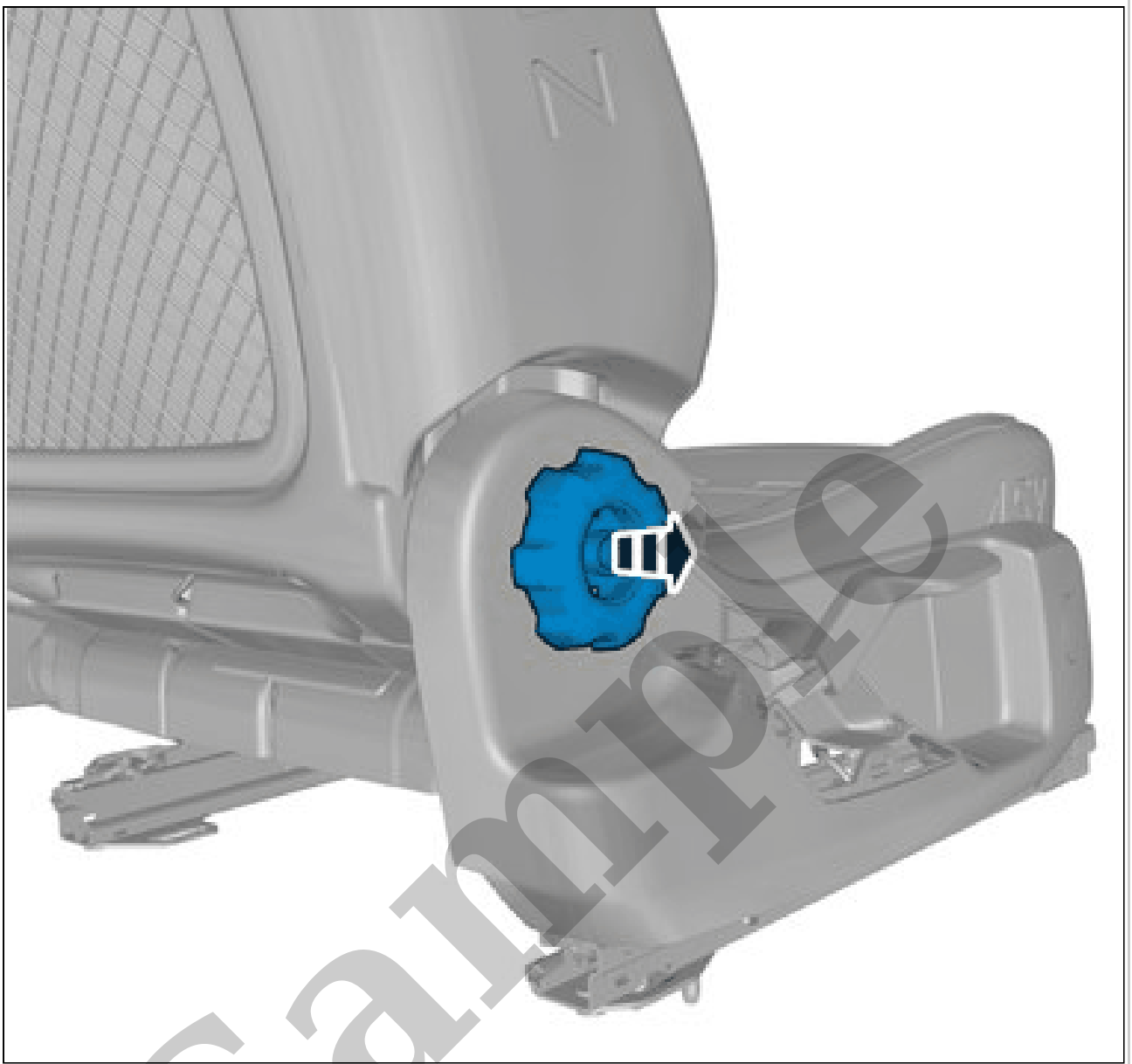
Courtesy of VOLVO CARS CORPORATION

Install the clip(s).



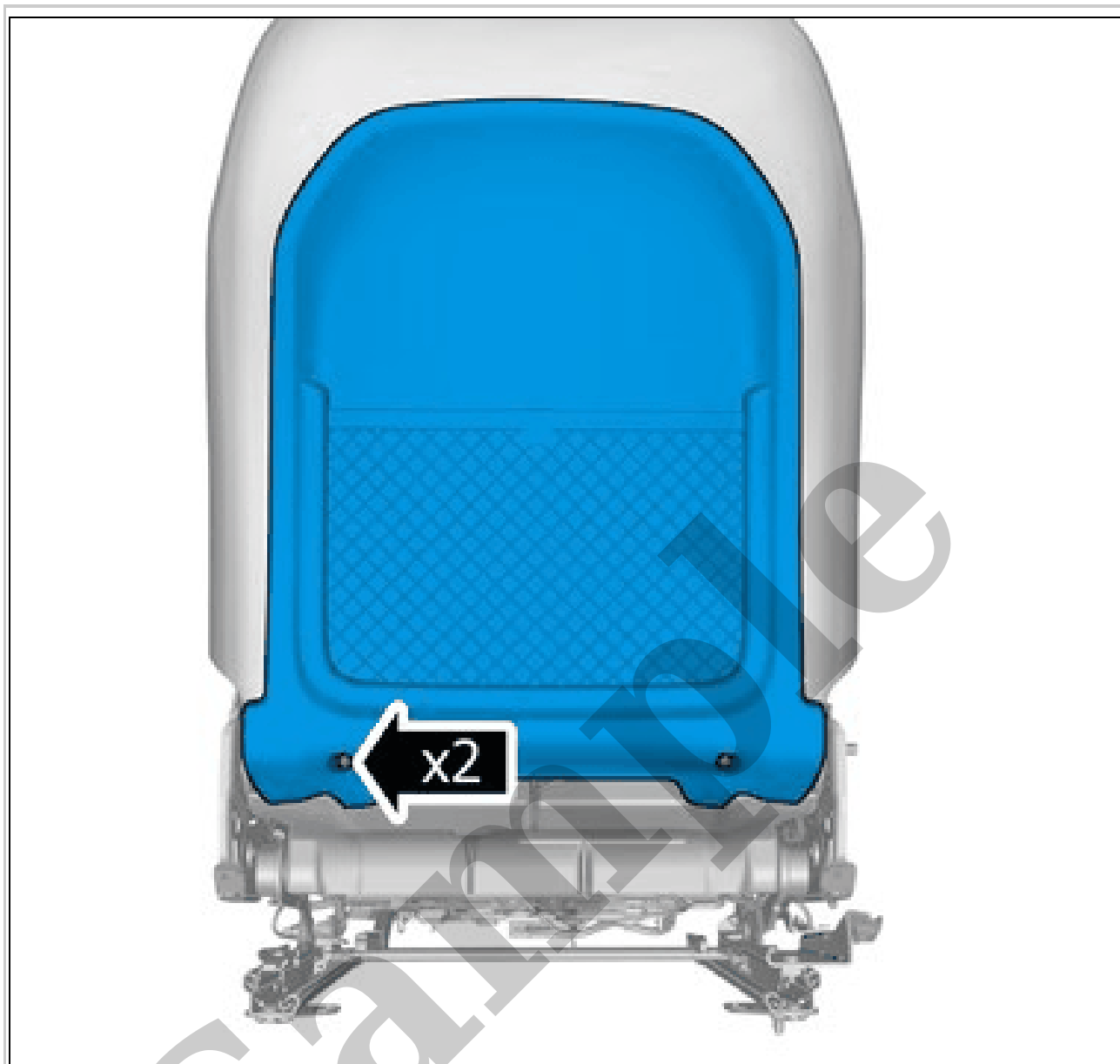
Courtesy of VOLVO CARS CORPORATION

Remove the clip.
Remove the marked part.



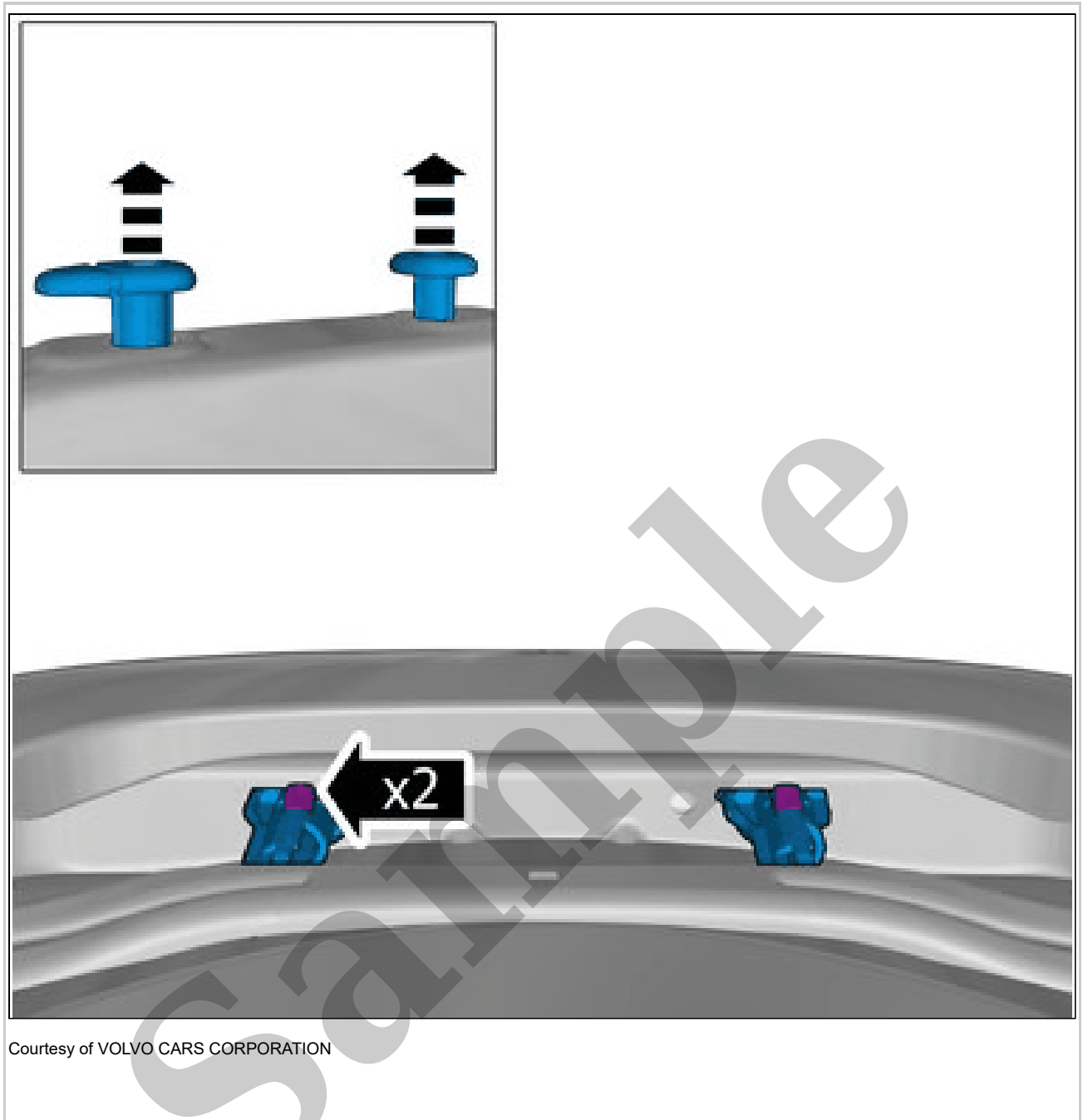
Courtesy of VOLVO CARS CORPORATION

Remove the marked part.
ALL VEHICLES



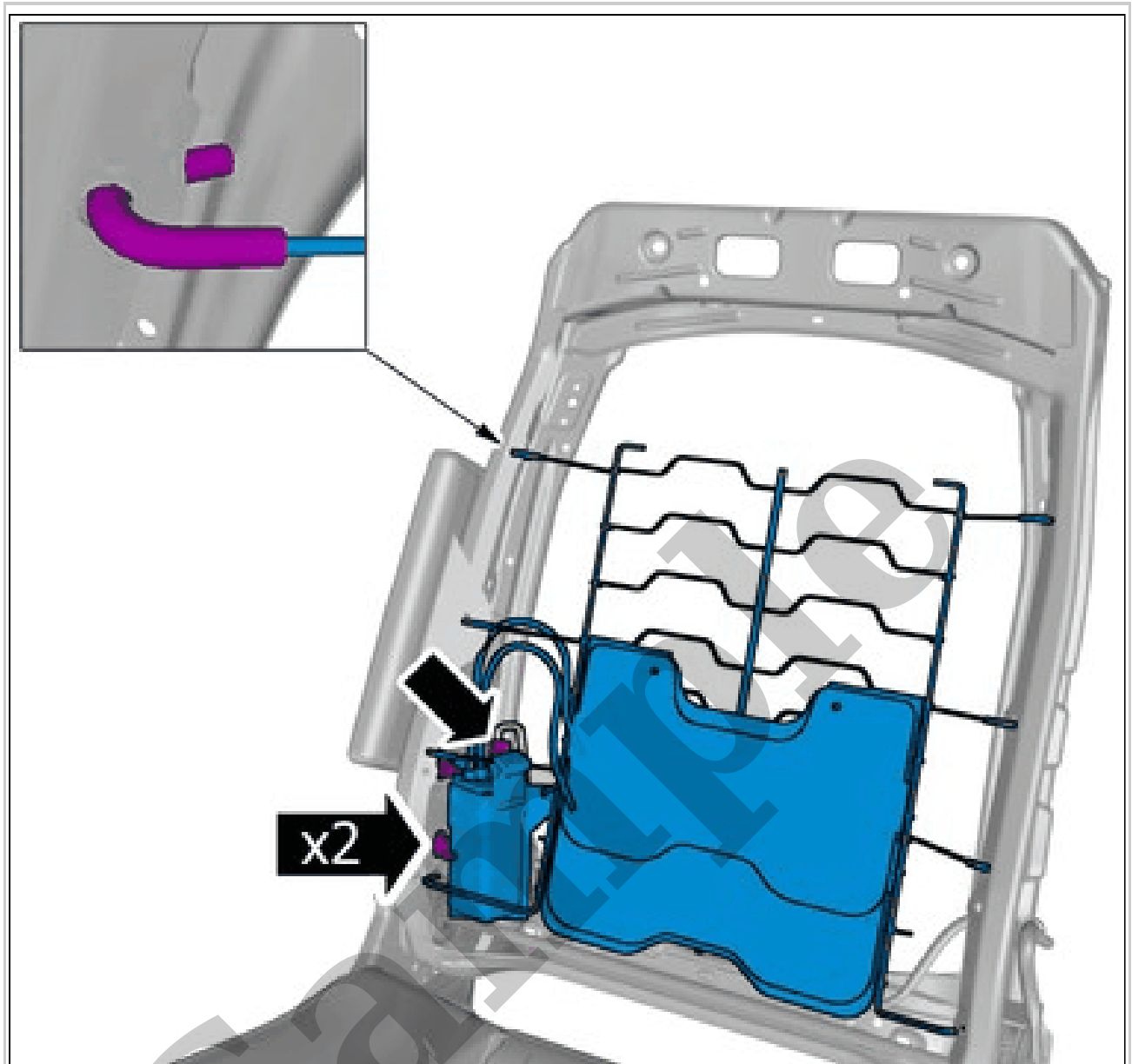
Courtesy of VOLVO CARS CORPORATION

Remove the screws.



Courtesy of VOLVO CARS CORPORATION

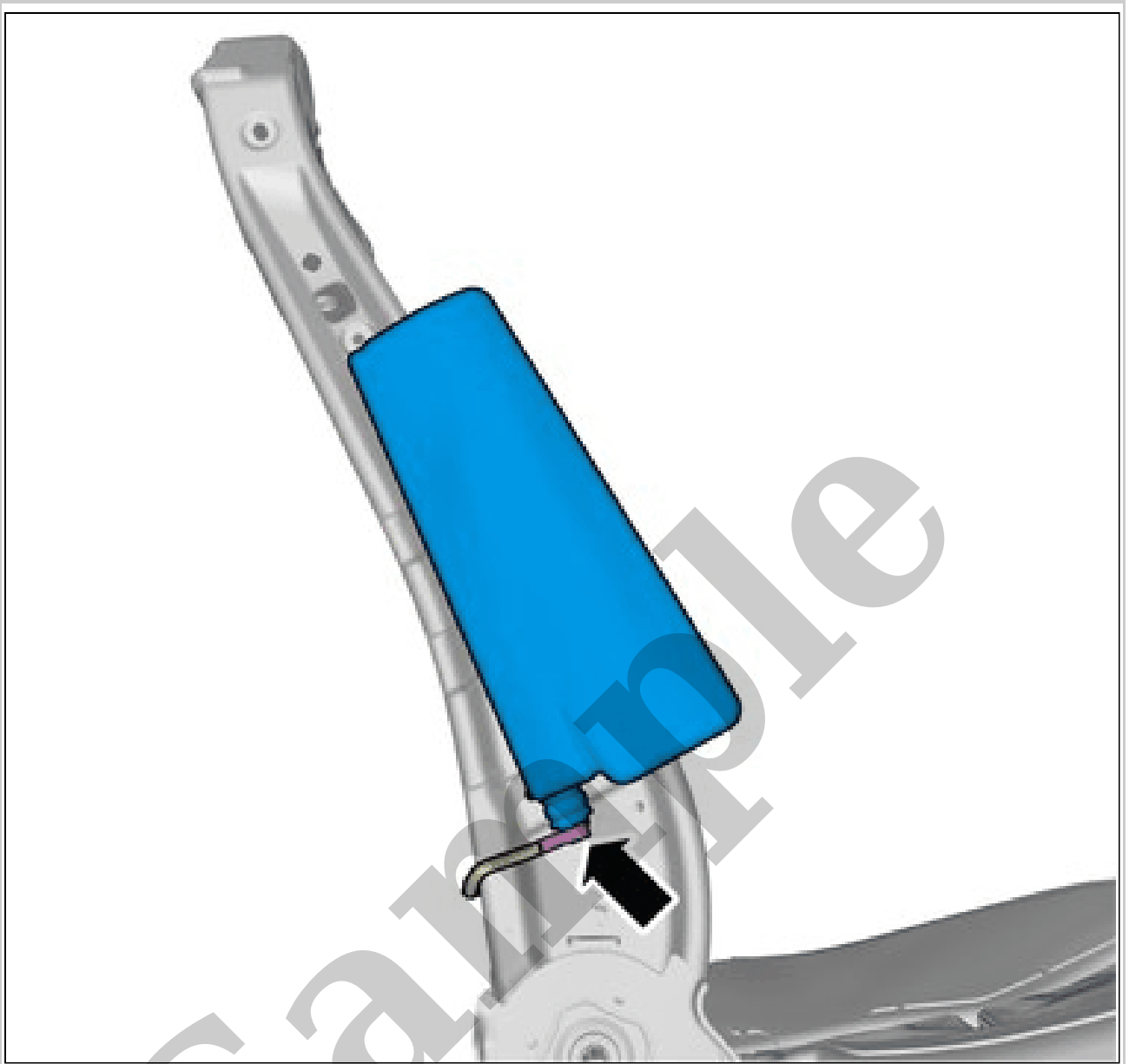
Release the locks.
Remove the marked parts.
The part is not to be reused.



Courtesy of VOLVO CARS CORPORATION

Disconnect the connector.
Loosen the clips.
Release the catches.
Remove the marked part.
The part is not to be reused.

VEHICLES WITH POWER SEATS



Courtesy of VOLVO CARS CORPORATION

Disconnect the connector.