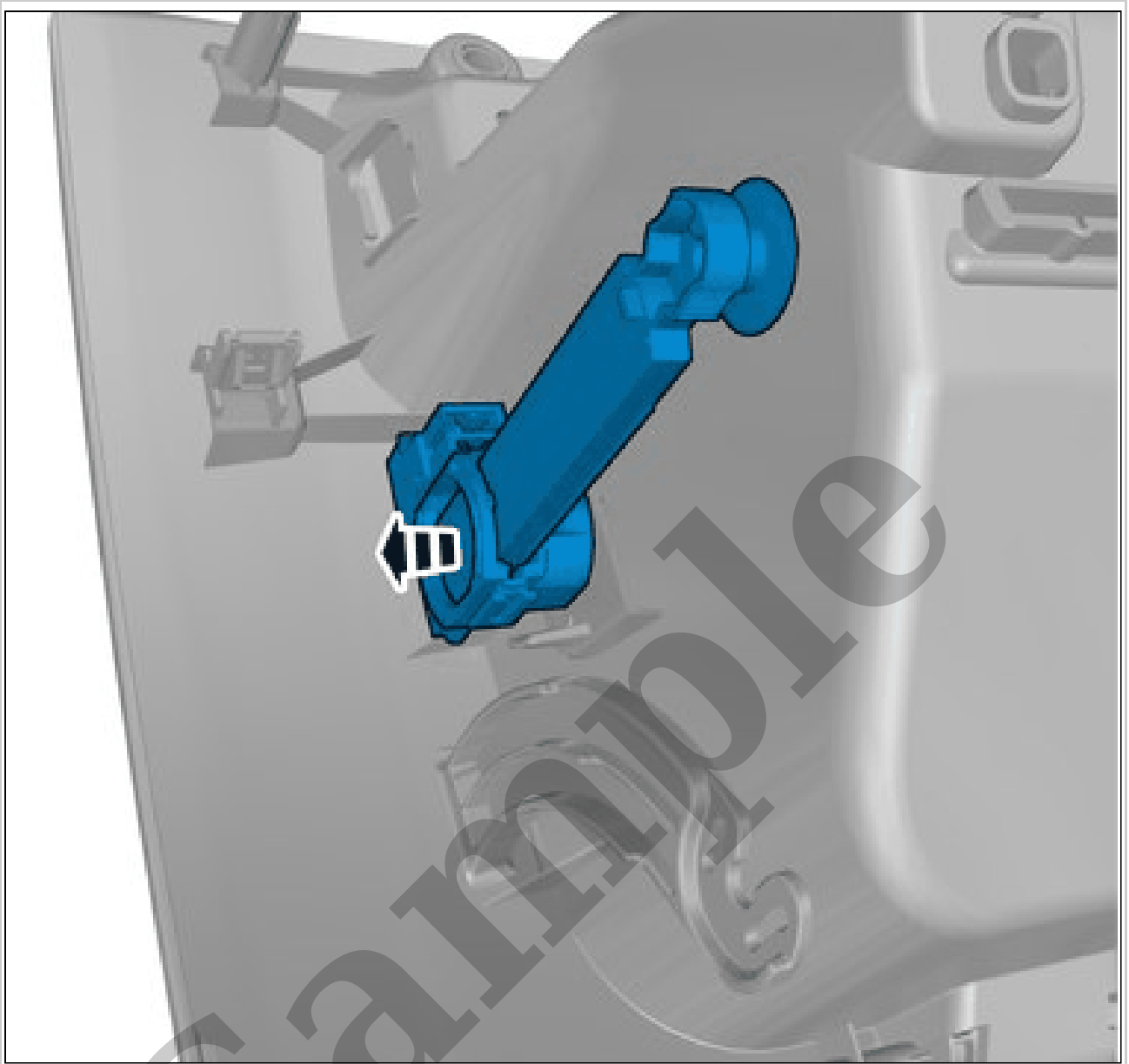


Your Ultimate Source for OEM Repair Manuals

FactoryManuals.net is a great resource for anyone who wants to save money on repairs by doing their own work. The manuals provide detailed instructions and diagrams that make it easy to understand how to fix a vehicle.

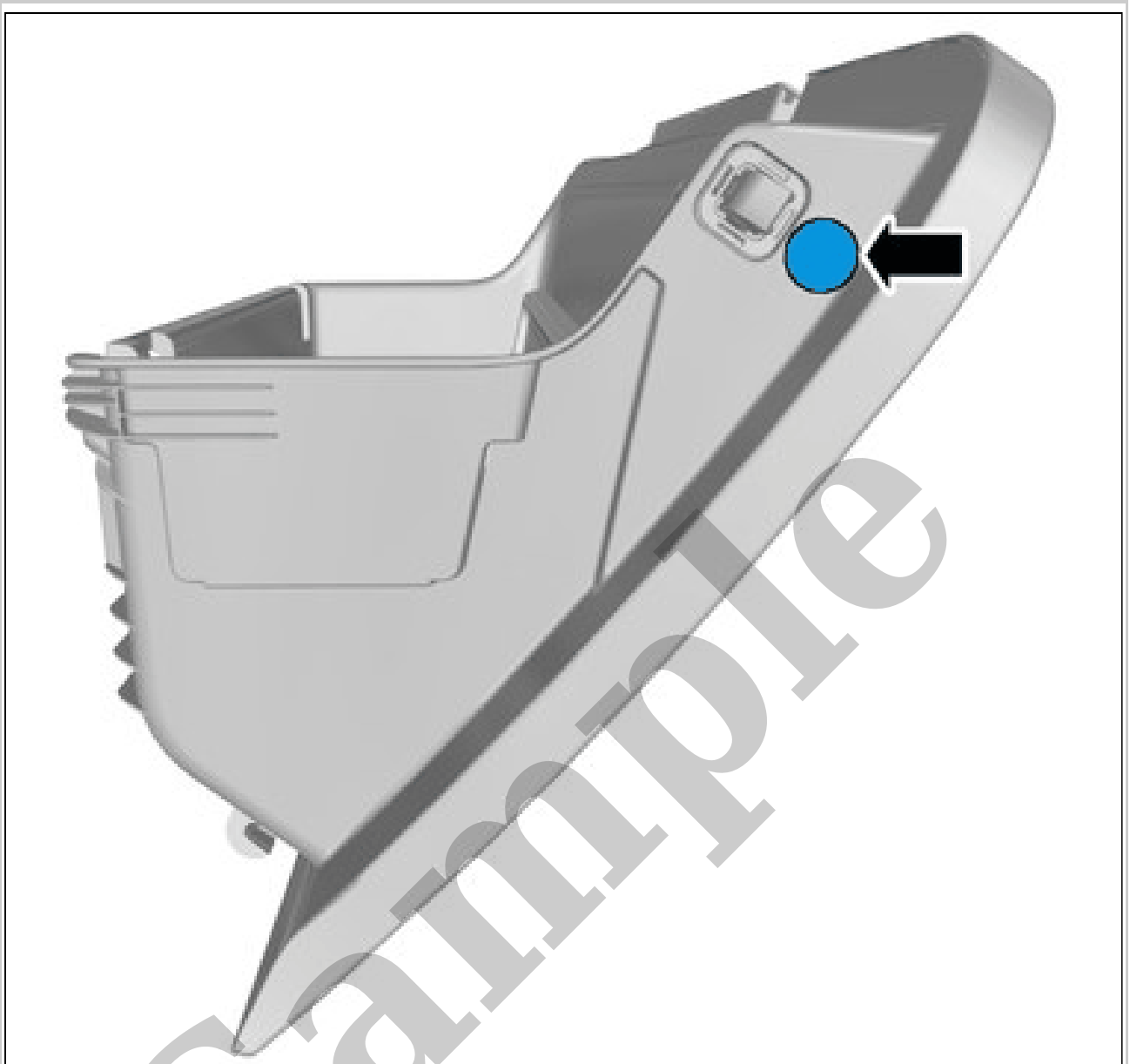
2003 VOLVO S60 OEM Service and Repair Workshop Manual

[Go to manual page](#)



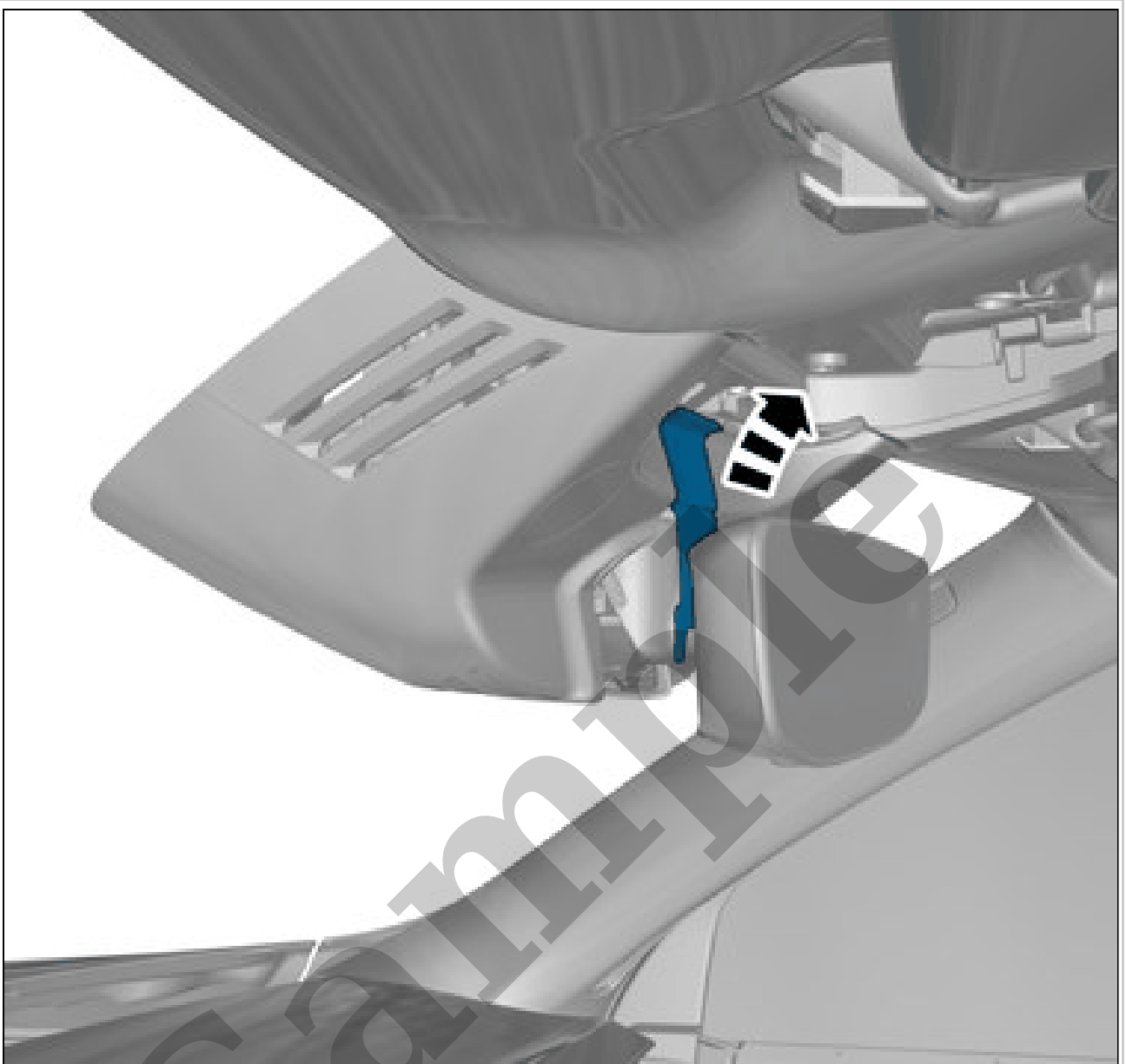
Courtesy of VOLVO CARS CORPORATION

Remove the marked part.



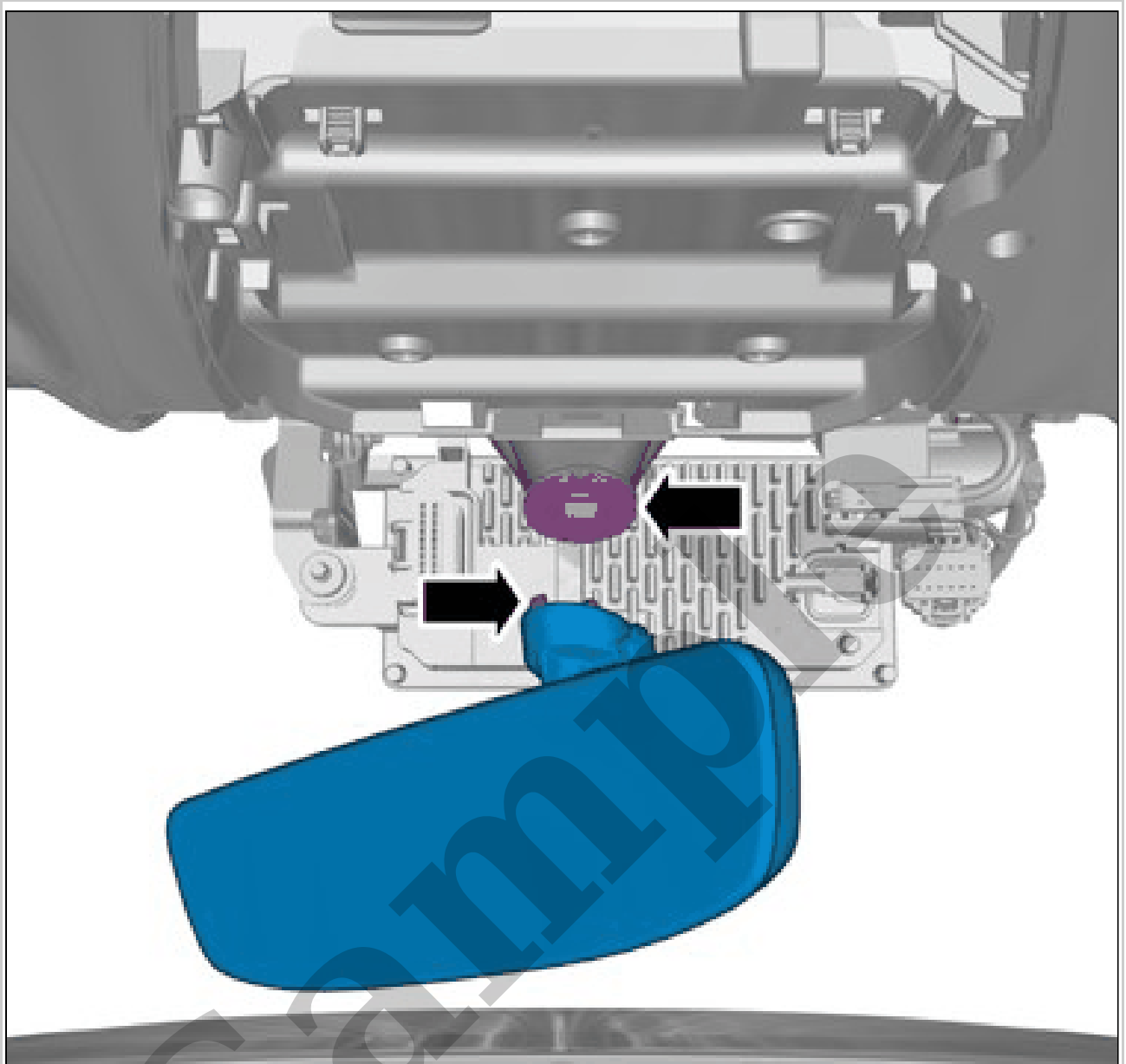
Courtesy of VOLVO CARS CORPORATION

Remove the marked part.



Courtesy of VOLVO CARS CORPORATION

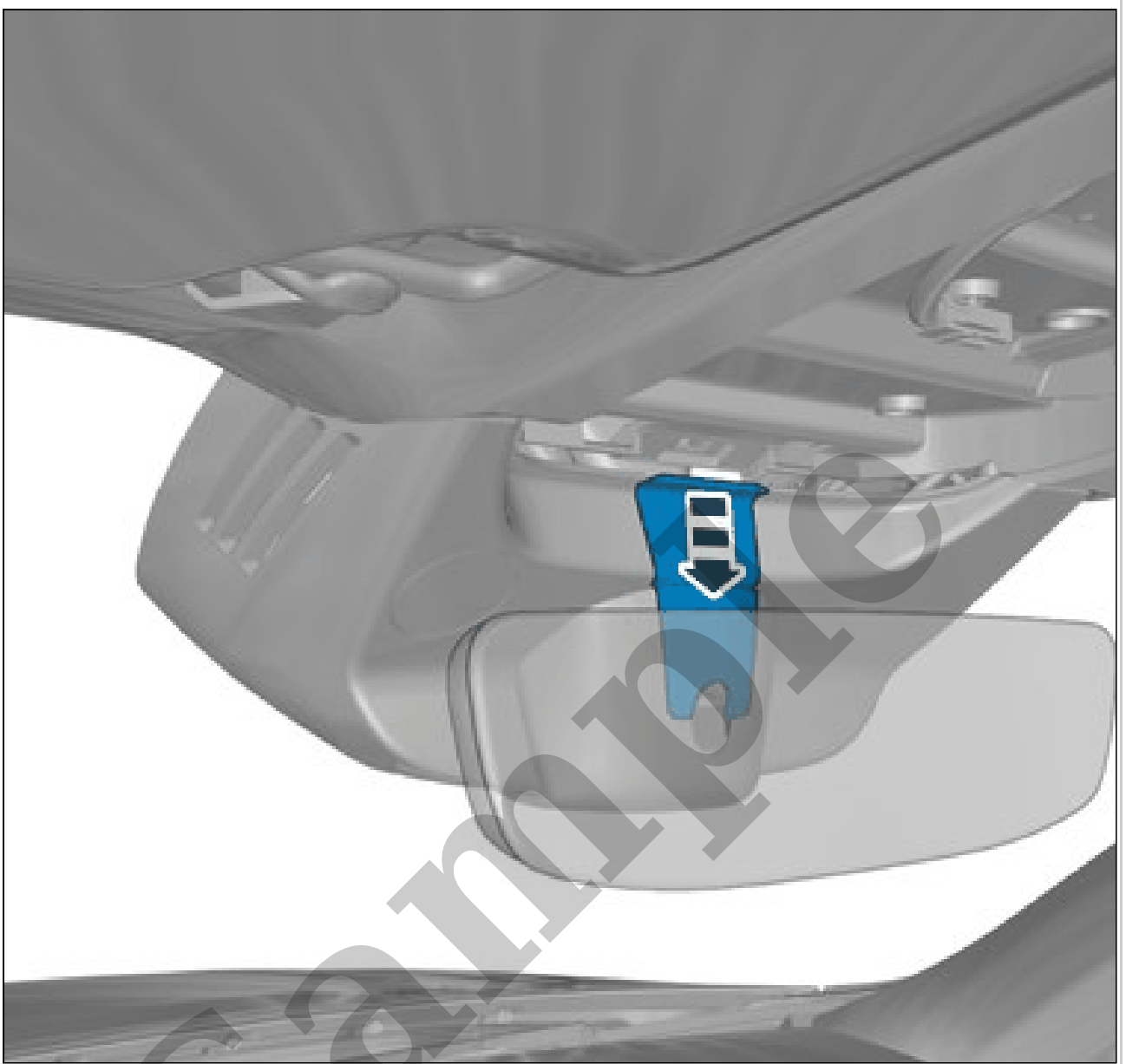
Remove the marked part.



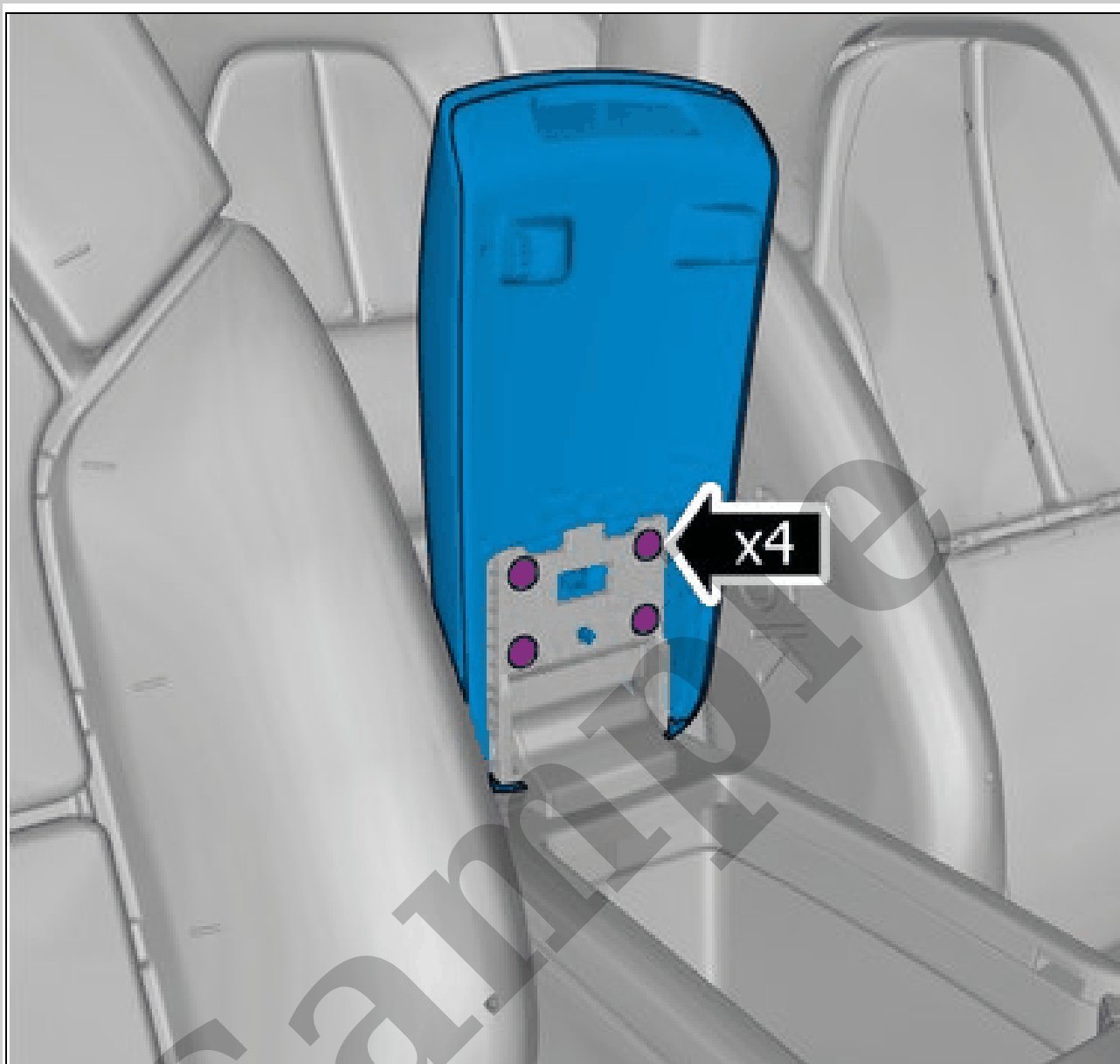
Courtesy of VOLVO CARS CORPORATION

Remove the marked part.

**INNER REAR VIEW MIRROR > INNER REAR VIEW MIRROR [2018-2022] >
INSTALLATION**



Courtesy of VOLVO CARS CORPORATION



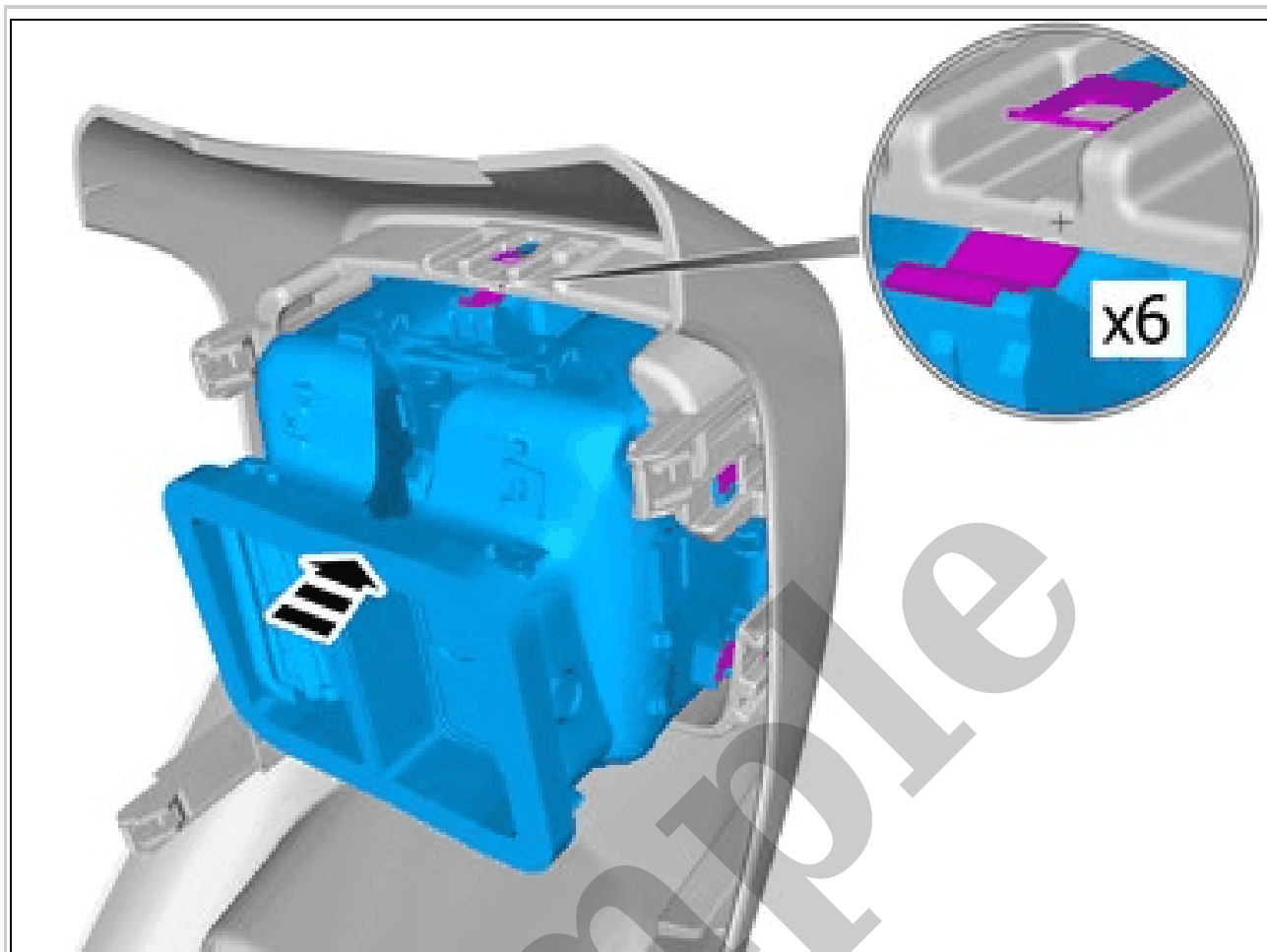
Courtesy of VOLVO CARS CORPORATION

Remove the screws.
Remove the marked part.

LID/ARMREST, FLOOR CONSOLE > LID/ARMREST, FLOOR CONSOLE [2018-2022] > INSTALLATION

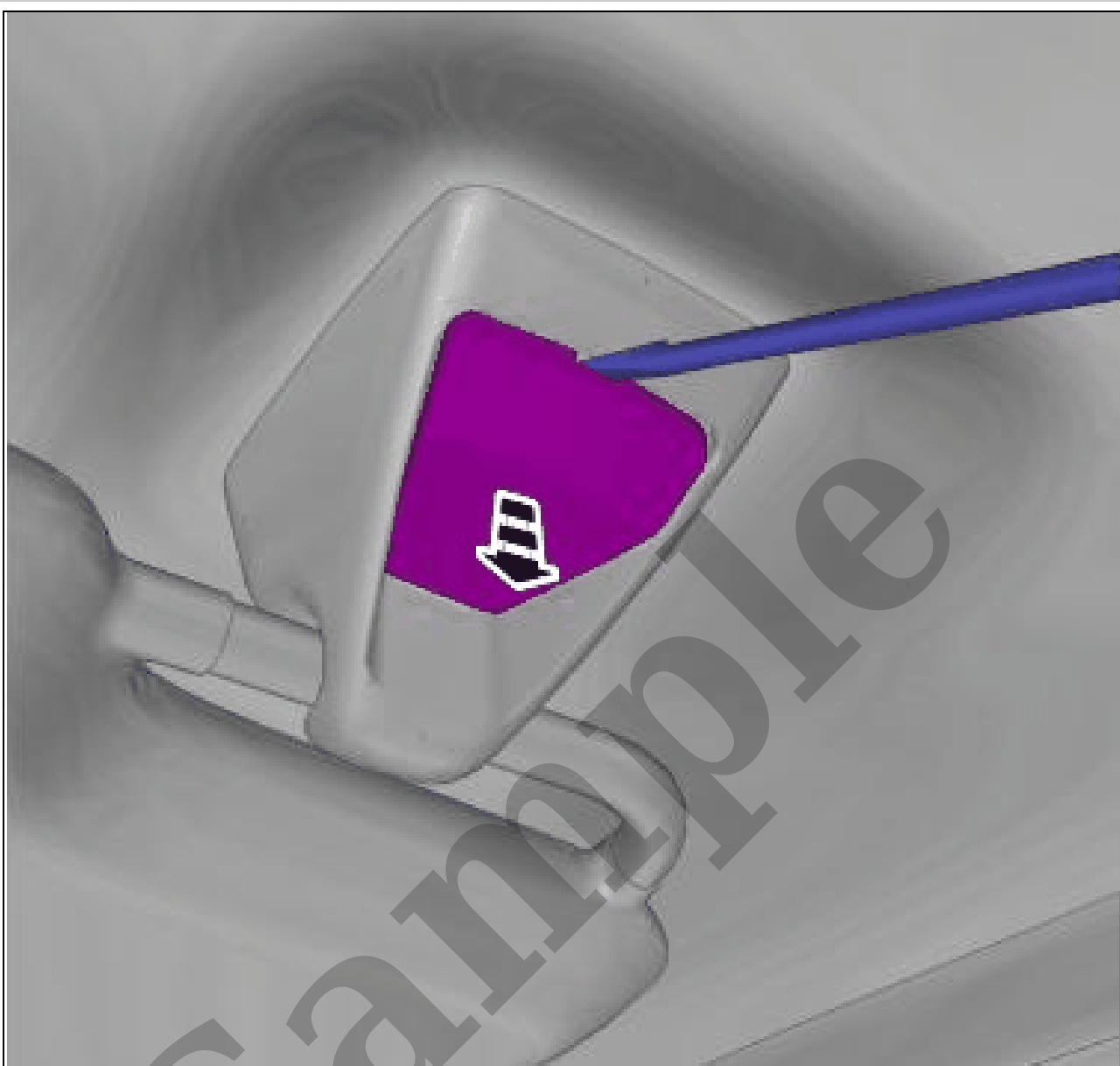
To install, reverse the removal procedure.

REAR PANEL, FLOOR CONSOLE > REAR PANEL, FLOOR CONSOLE [2018-2019 | 2019-2022, B4204T18; B4204T47 | 2021-2022, E400V6] > REMOVAL AND INSTALLATION



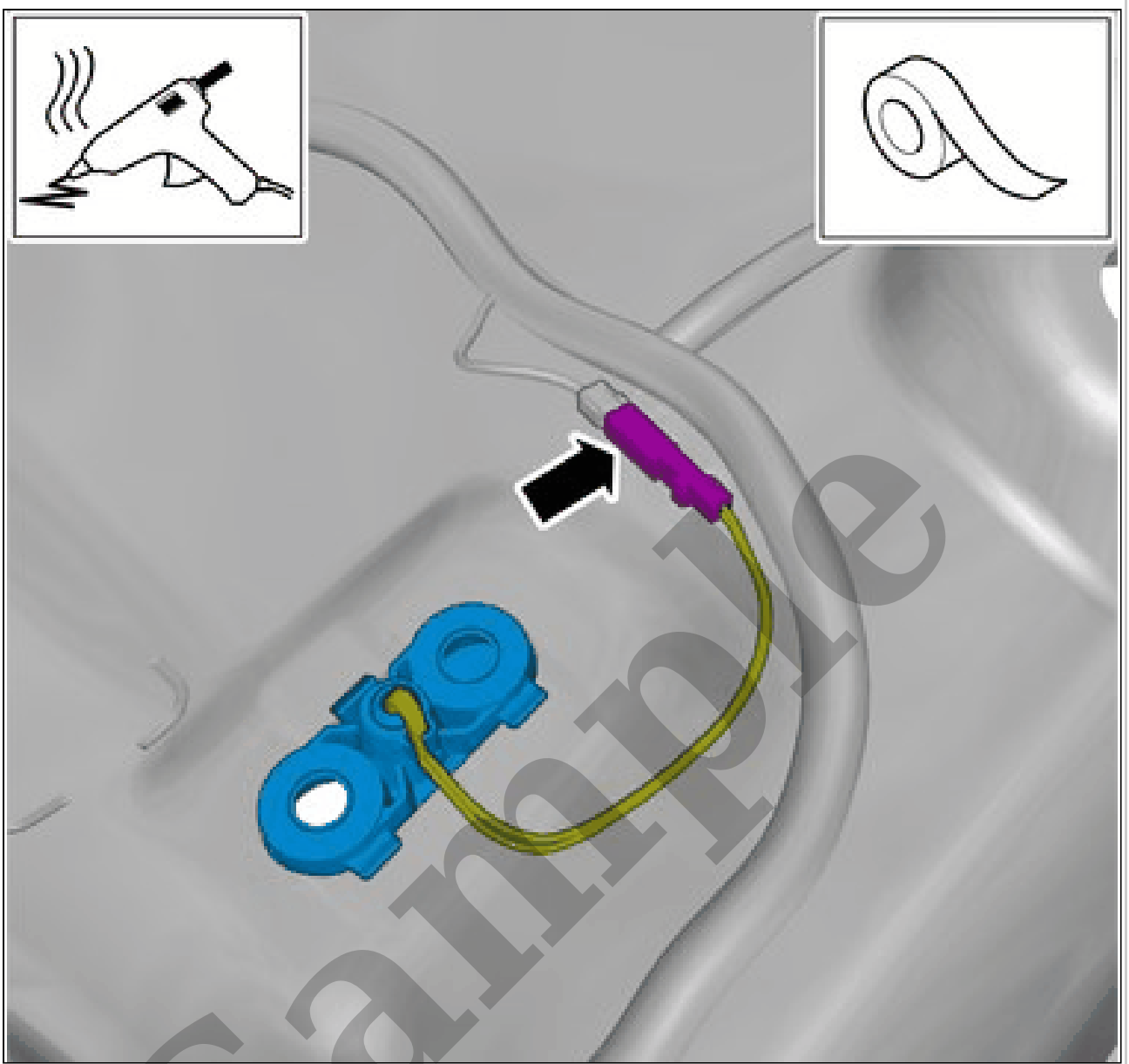
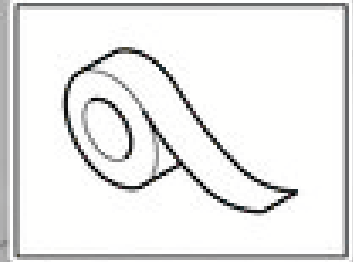
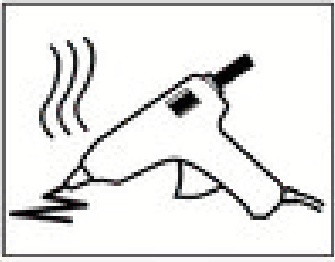
Courtesy of VOLVO CARS CORPORATION

Release the locks.
Remove the marked part.



Courtesy of VOLVO CARS CORPORATION

CAUTION: *Take extra care when handling the component.*



Courtesy of VOLVO CARS CORPORATION

Disconnect the connector.