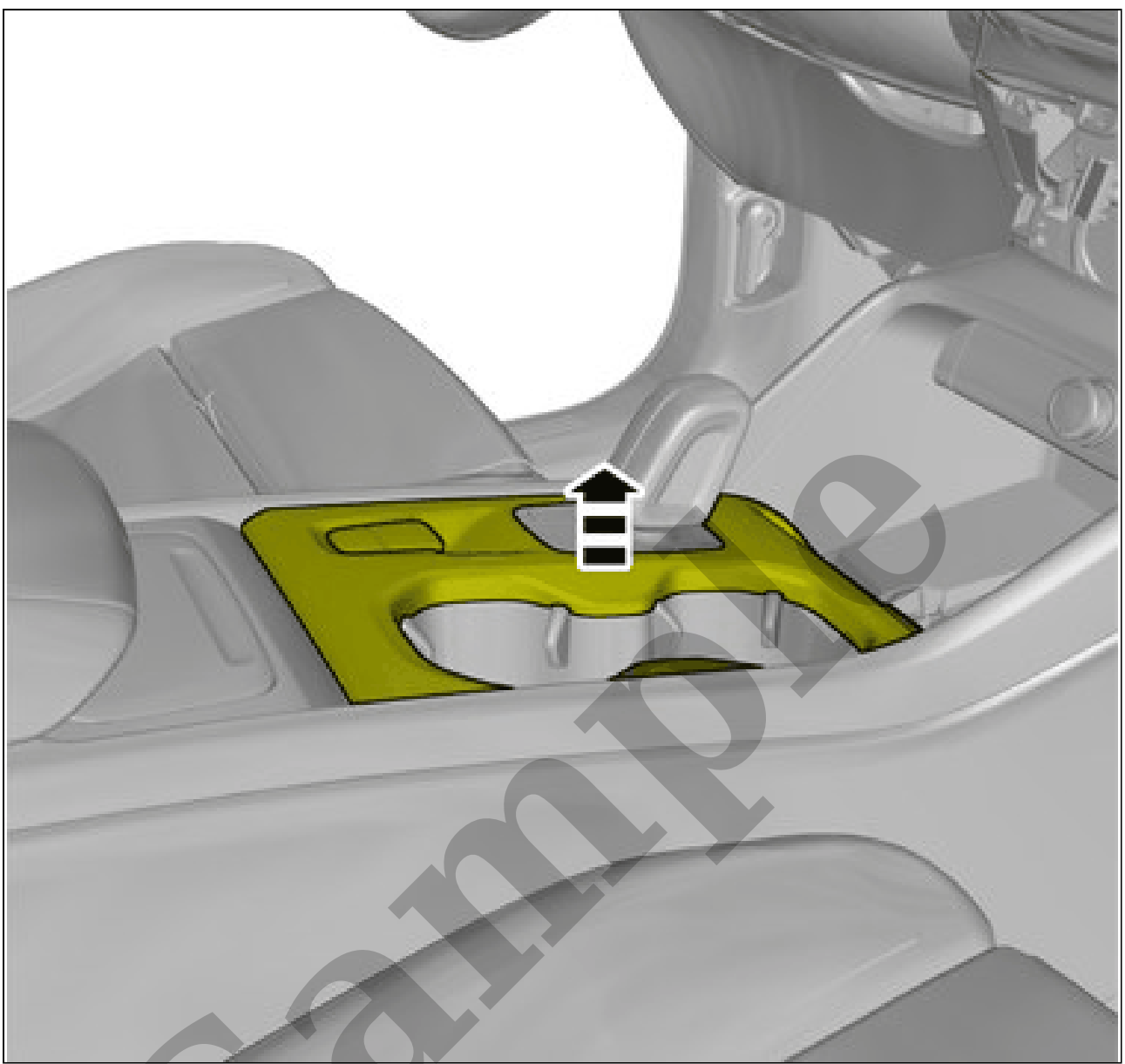


# Your Ultimate Source for OEM Repair Manuals

FactoryManuals.net is a great resource for anyone who wants to save money on repairs by doing their own work. The manuals provide detailed instructions and diagrams that make it easy to understand how to fix a vehicle.

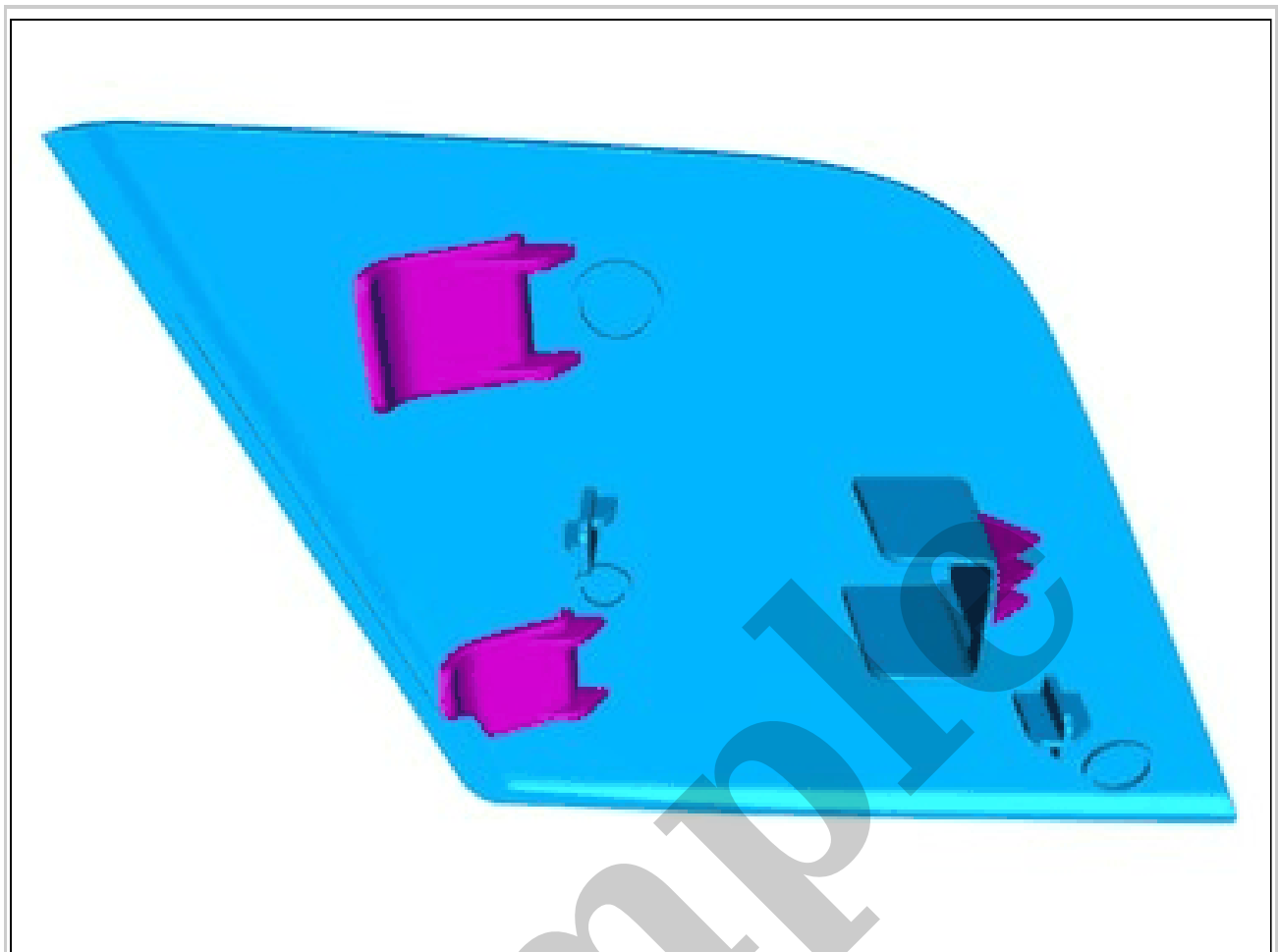
## 2003 VOLVO S40 OEM Service and Repair Workshop Manual

[Go to manual page](#)



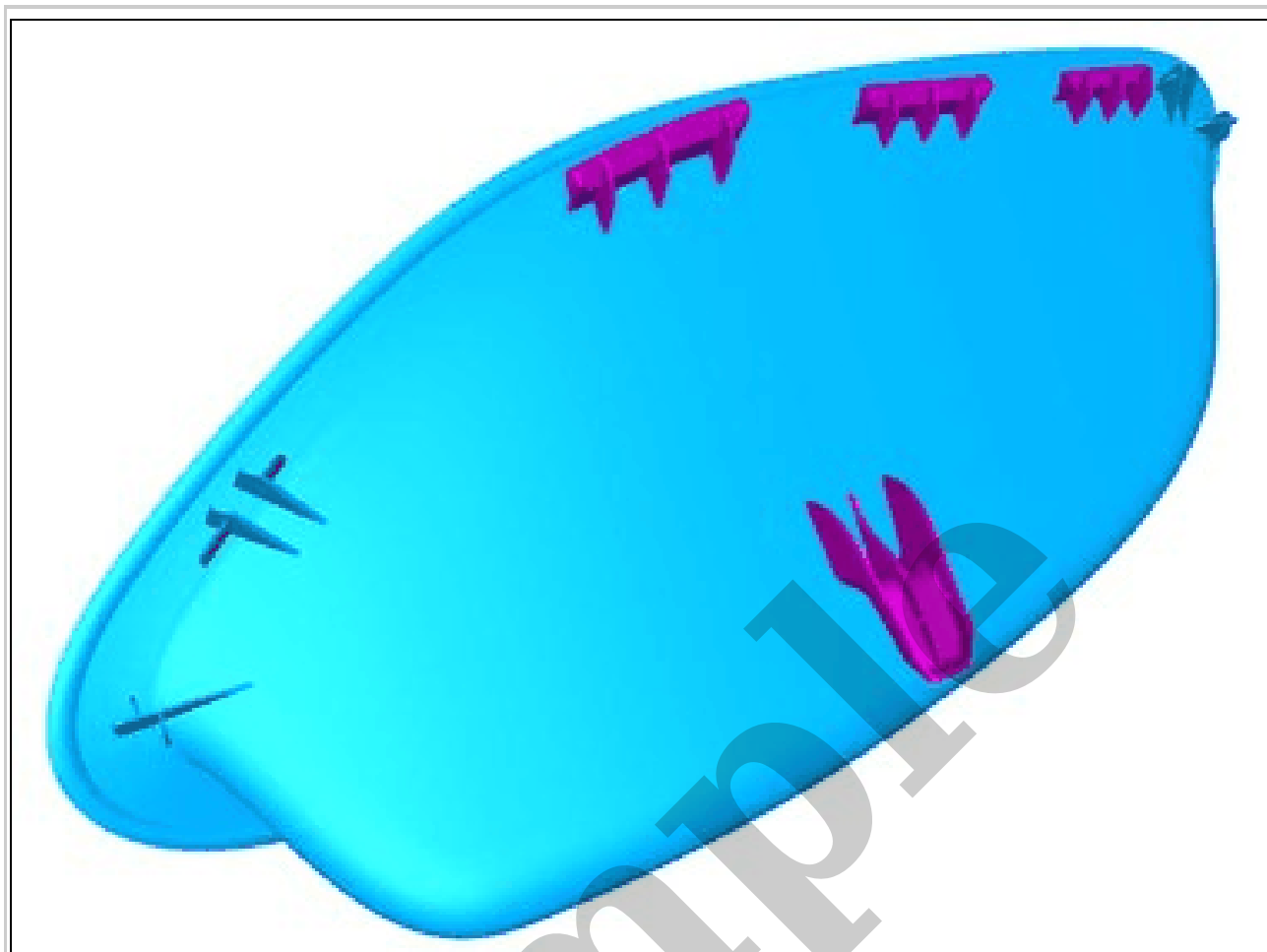
Courtesy of VOLVO CARS CORPORATION

Loosen the marked detail.  
**Use:** Interior trim remover



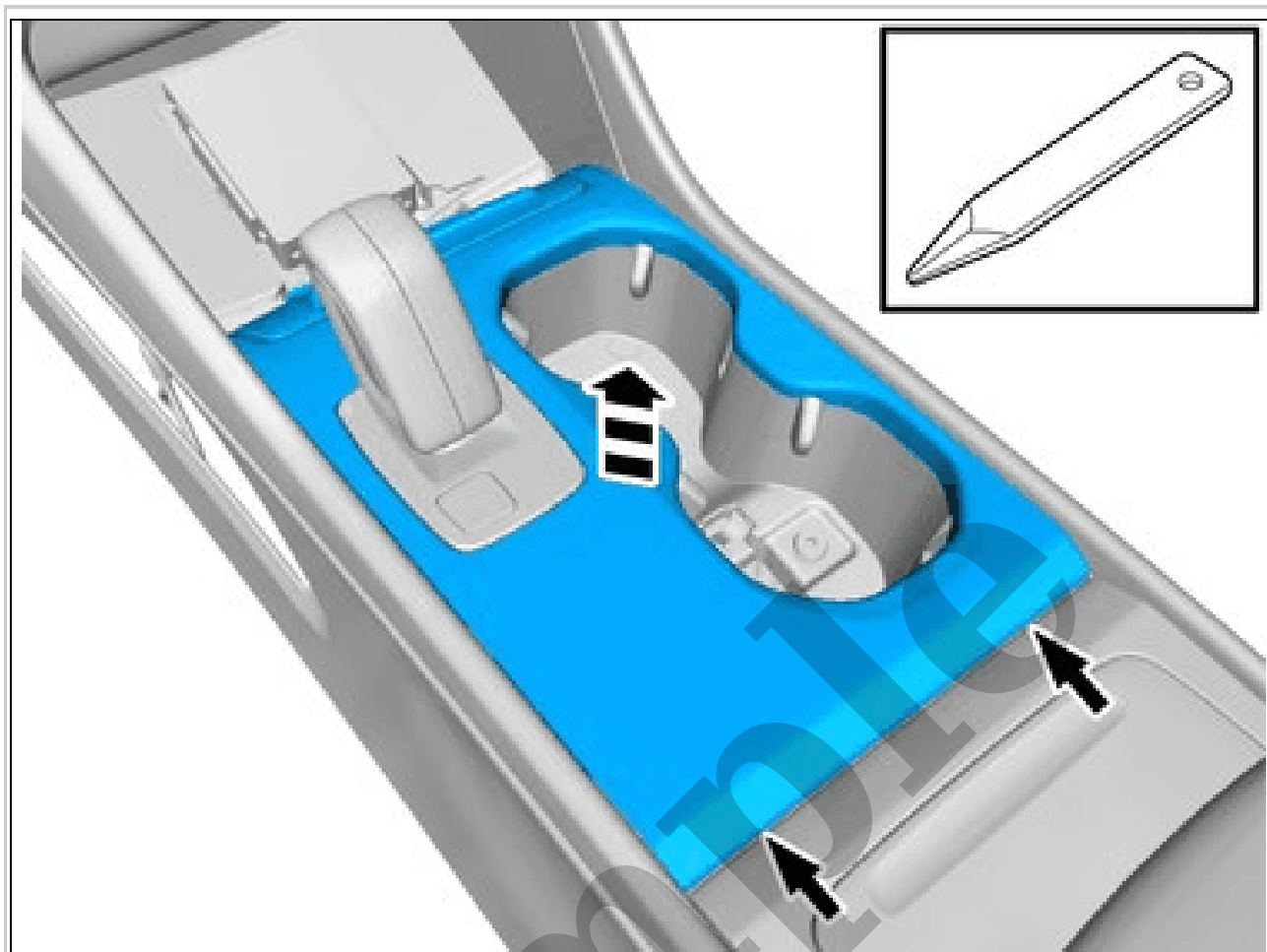
Courtesy of VOLVO CARS CORPORATION

**NOTE:** *The graphic shows the back of the component before removal.*



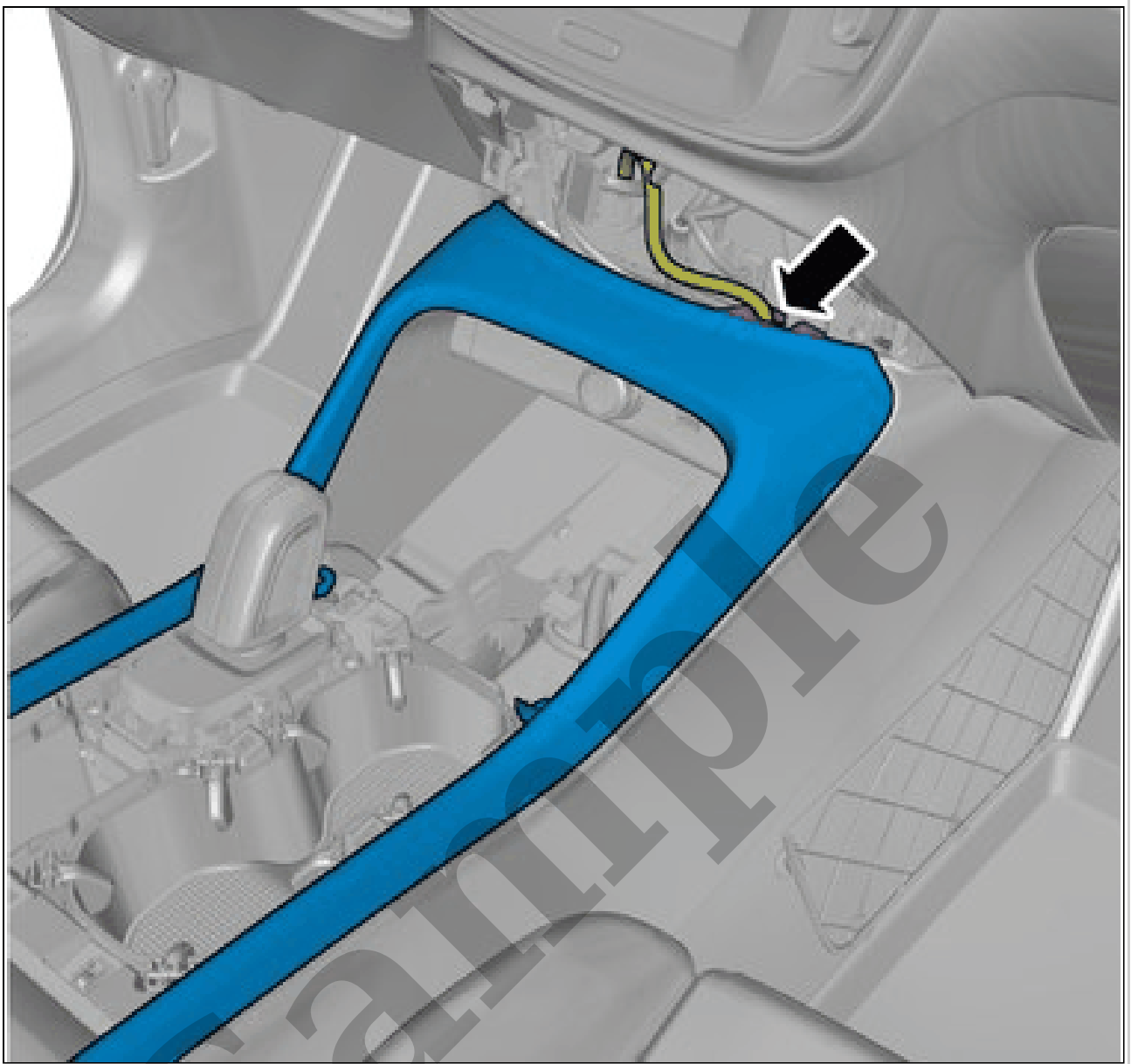
Courtesy of VOLVO CARS CORPORATION

**NOTE:** *The graphic shows the back of the component before removal.*



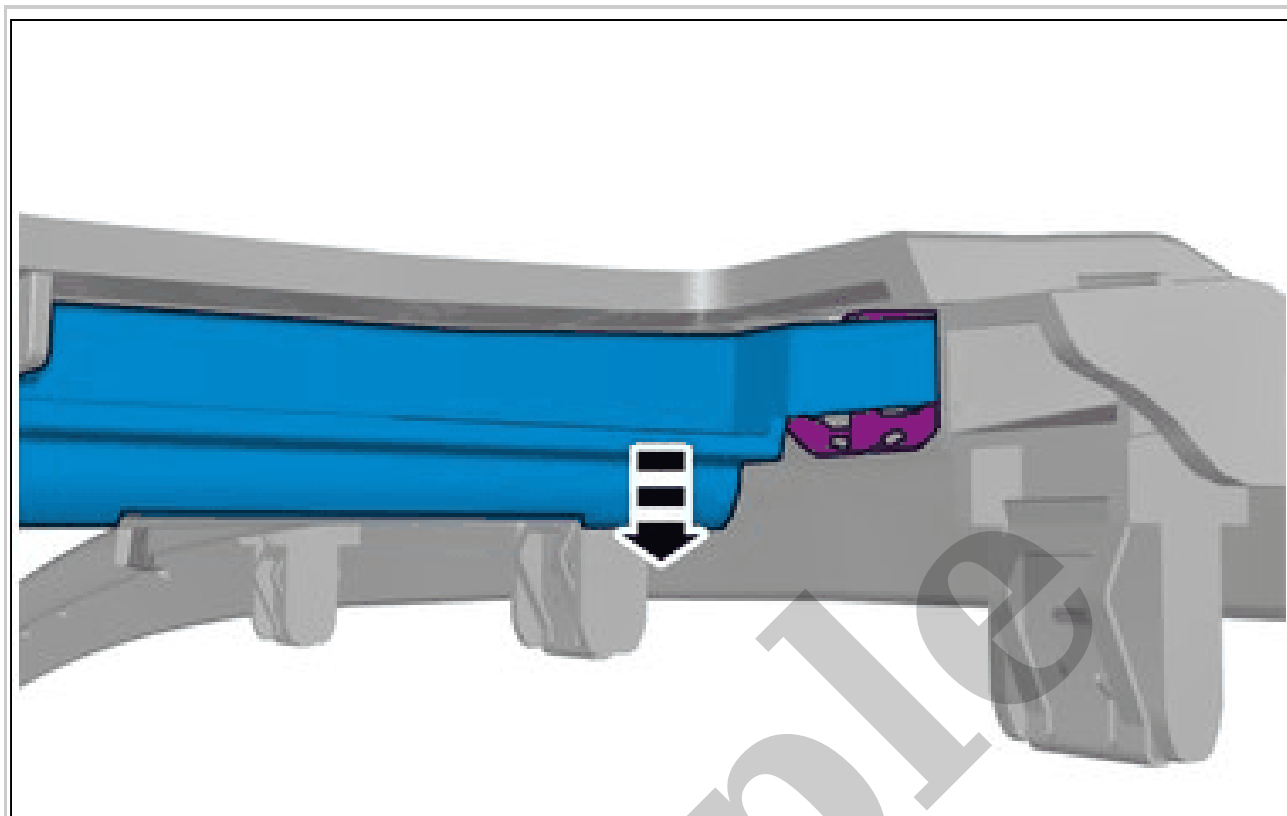
Courtesy of VOLVO CARS CORPORATION

Remove the marked part.  
**Use:** Interior trim remover



Courtesy of VOLVO CARS CORPORATION

Loosen the wiring harness or move it to the side.



Courtesy of VOLVO CARS CORPORATION

Remove the marked part.

#### **INSTALLATION**

To install, reverse the removal procedure.

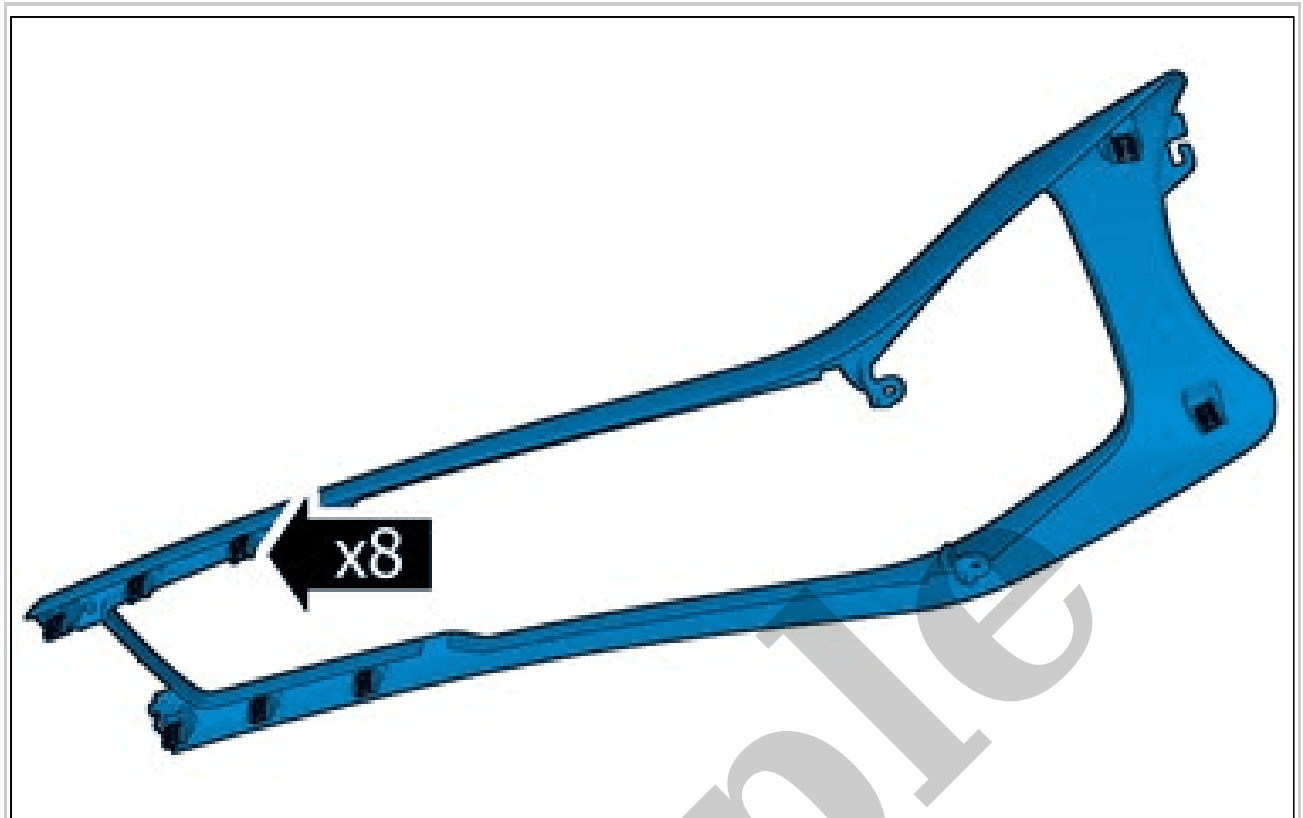
### **FLOOR CONSOLE FRAME > FLOOR CONSOLE FRAME [2018-2022 | 2019-2021, B4204T18; B4204T47] > REMOVAL AND INSTALLATION**

#### **REMOVAL**

Remove Centre Console Switch Module CCSM. Refer to: CENTER CONSOLE SWITCH MODULE CCSM

Remove trim panel front, floor console. Refer to: DECOR PANEL FRONT, FLOOR CONSOLE

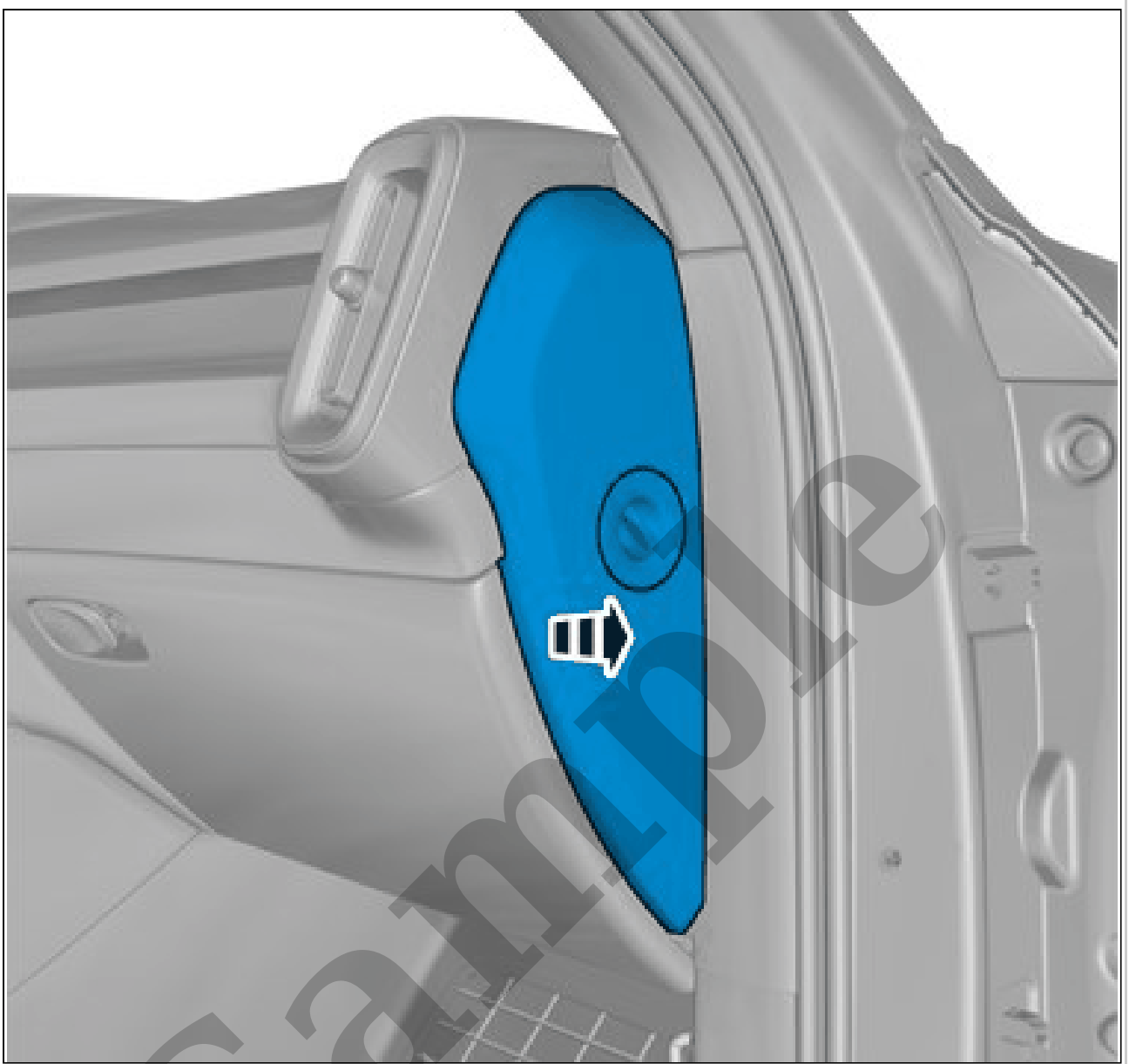
Remove rear panel, floor console. Refer to: REAR PANEL, FLOOR CONSOLE



Courtesy of VOLVO CARS CORPORATION

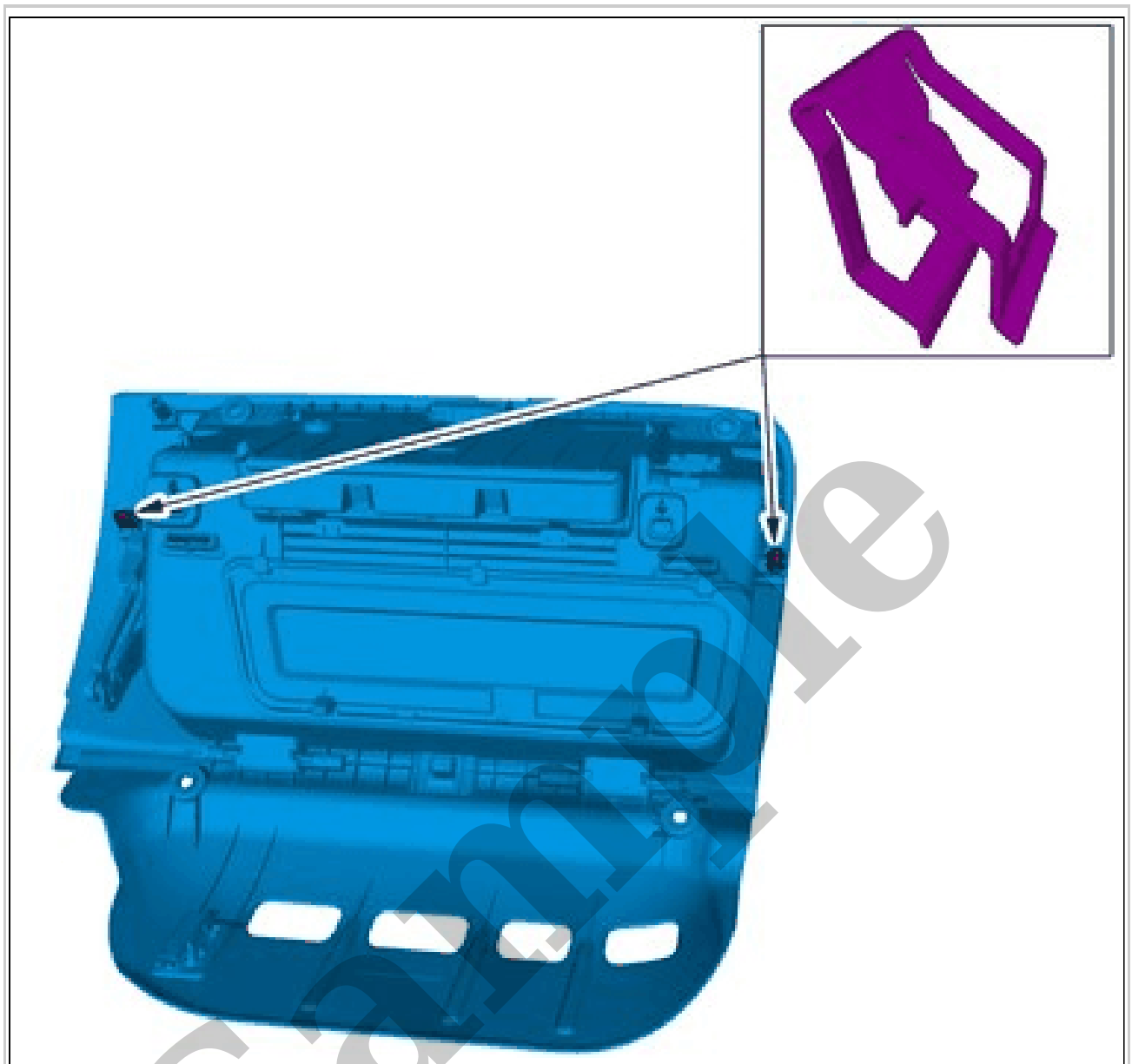
**NOTE:** *The graphic shows the back of the component before removal.*





Courtesy of VOLVO CARS CORPORATION

Loosen the marked detail.



Courtesy of VOLVO CARS CORPORATION

**NOTE:** *The graphic shows the back of the component before removal.*