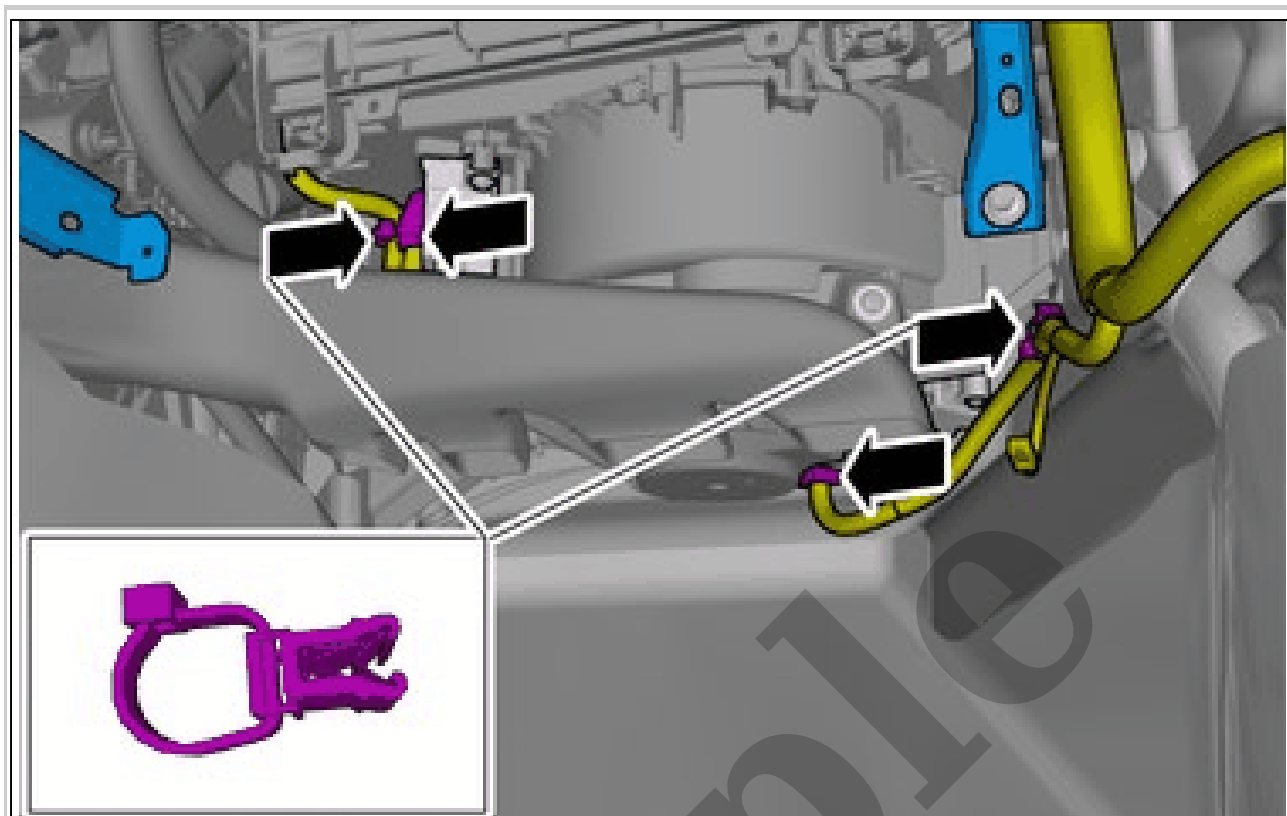


# Your Ultimate Source for OEM Repair Manuals

FactoryManuals.net is a great resource for anyone who wants to save money on repairs by doing their own work. The manuals provide detailed instructions and diagrams that make it easy to understand how to fix a vehicle.

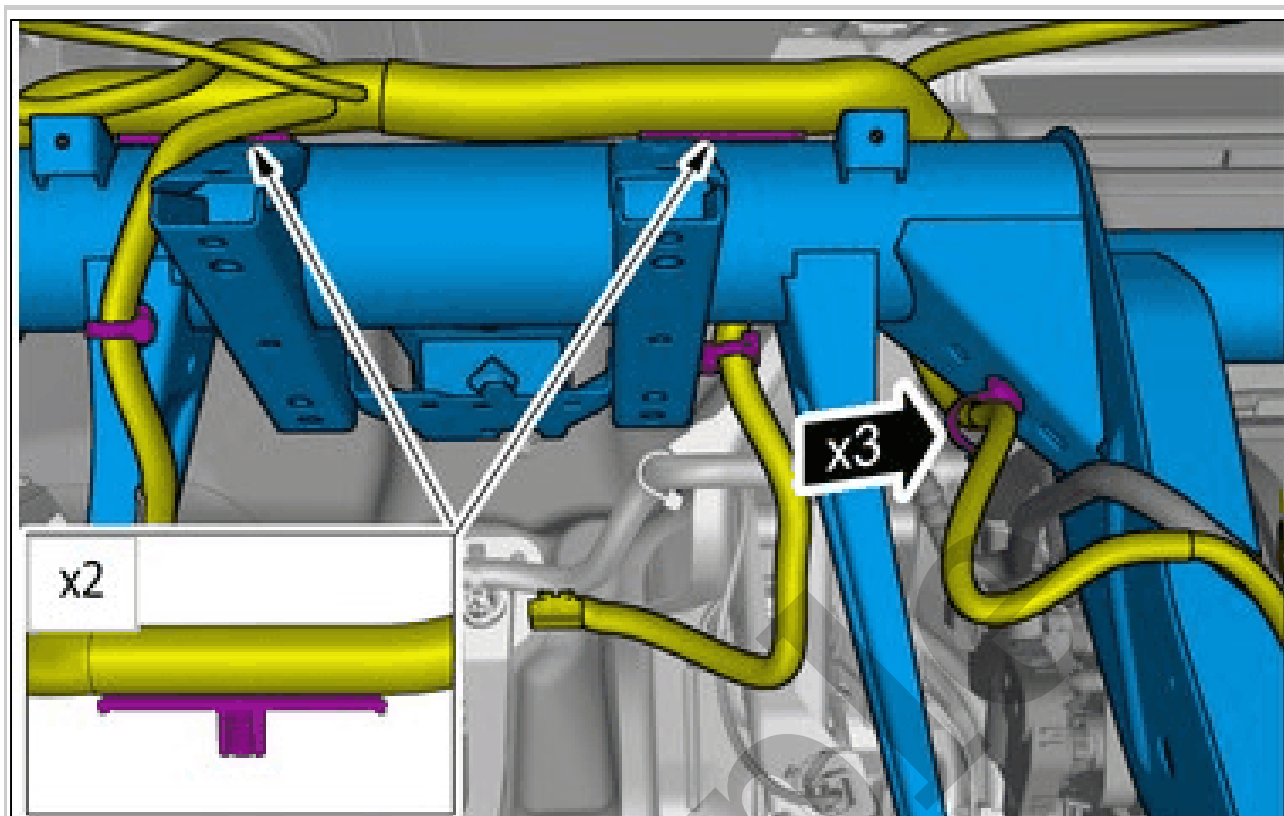
## 2002 VOLVO XC70/ V70XC OEM Service and Repair Workshop Manual

[Go to manual page](#)



Courtesy of VOLVO CARS CORPORATION

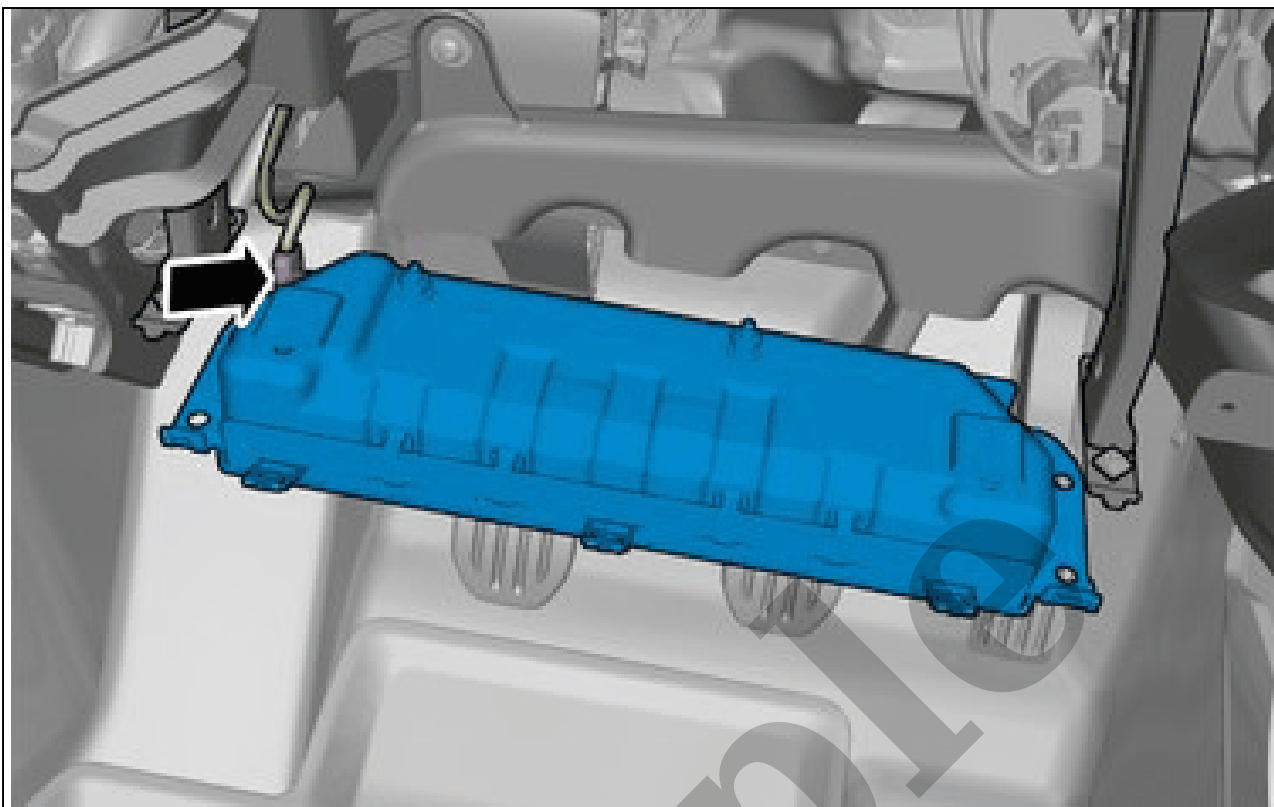
Disconnect the connectors.  
Remove the cable harness clips.



Courtesy of VOLVO CARS CORPORATION

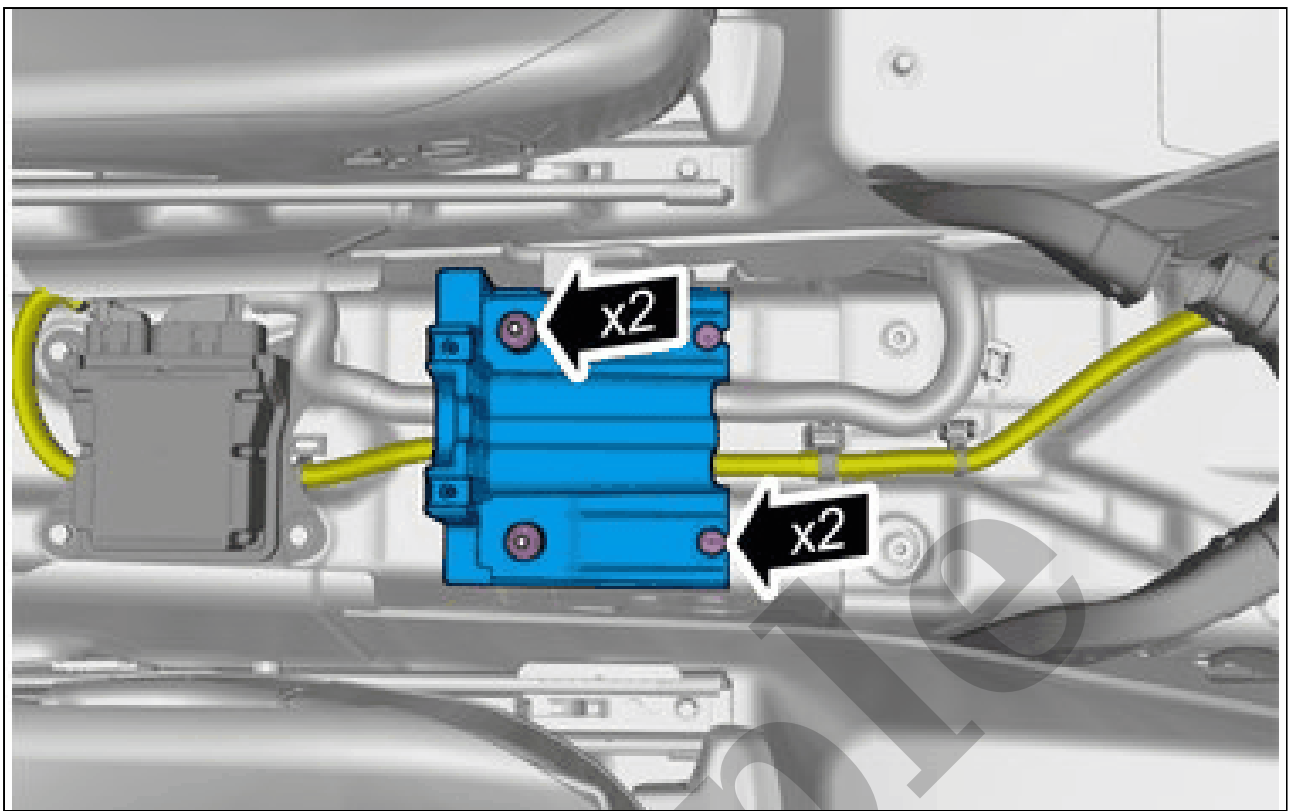
**CAUTION:** *The number of connectors, cables and cable ties may vary depending on the vehicle specification.*

Remove the cable harness clips.



Courtesy of VOLVO CARS CORPORATION

Disconnect the connector.  
Remove the marked part.



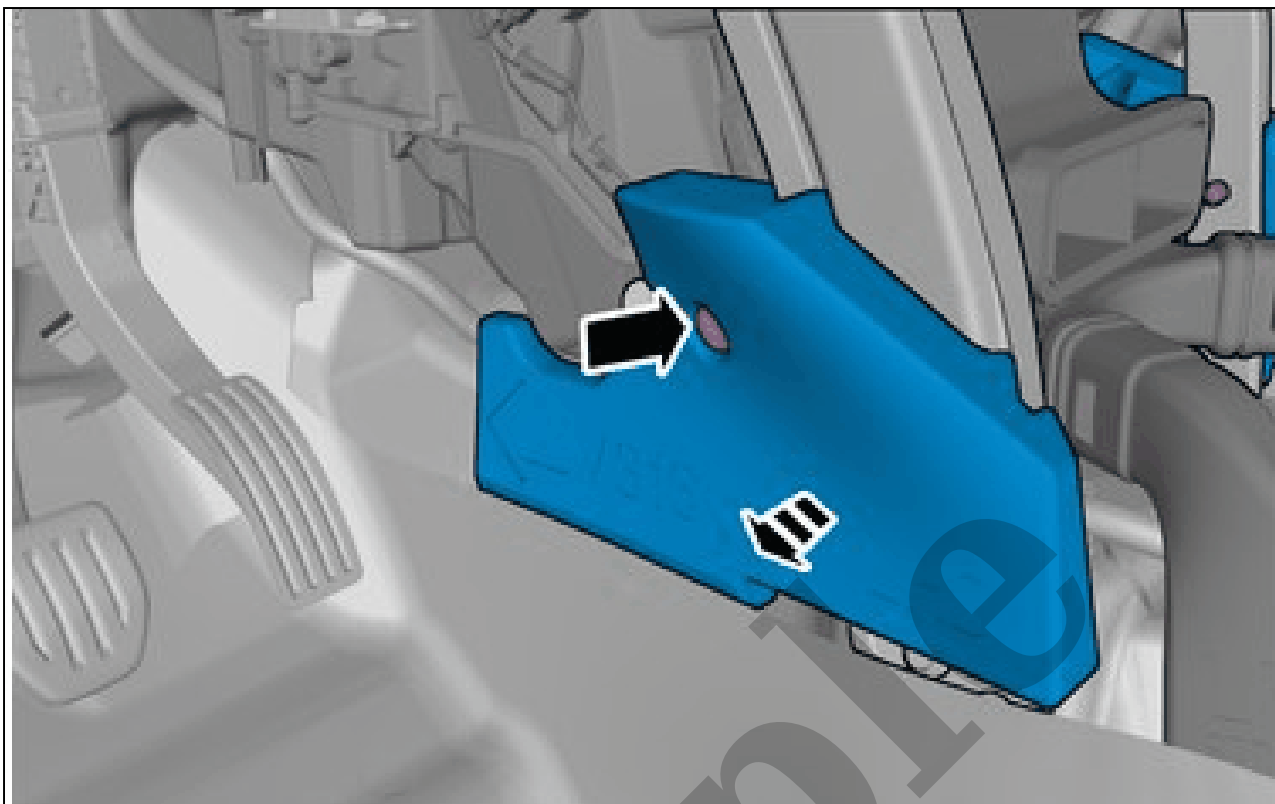
Courtesy of VOLVO CARS CORPORATION

Remove the screws.

**Torque:** M6, 10Nm

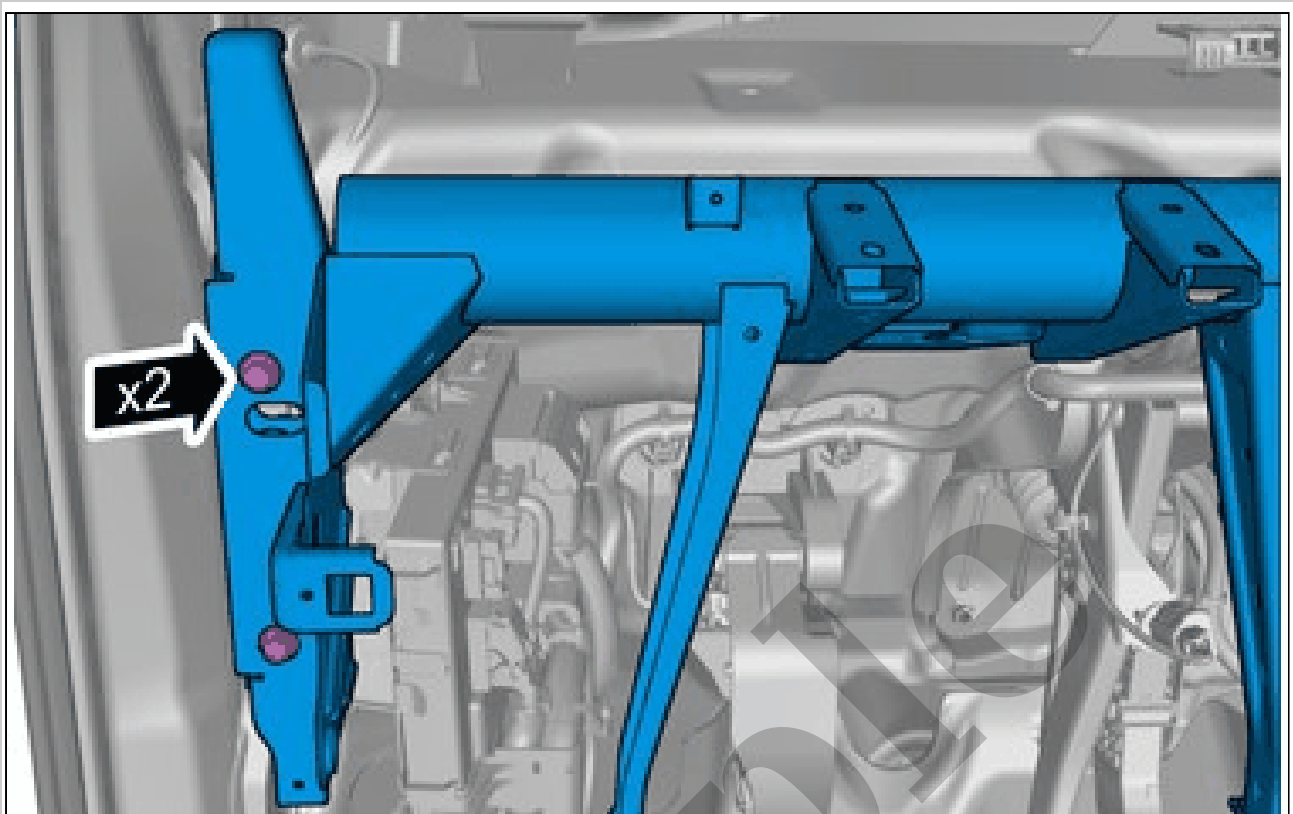
Loosen the clips.

Remove the marked part.



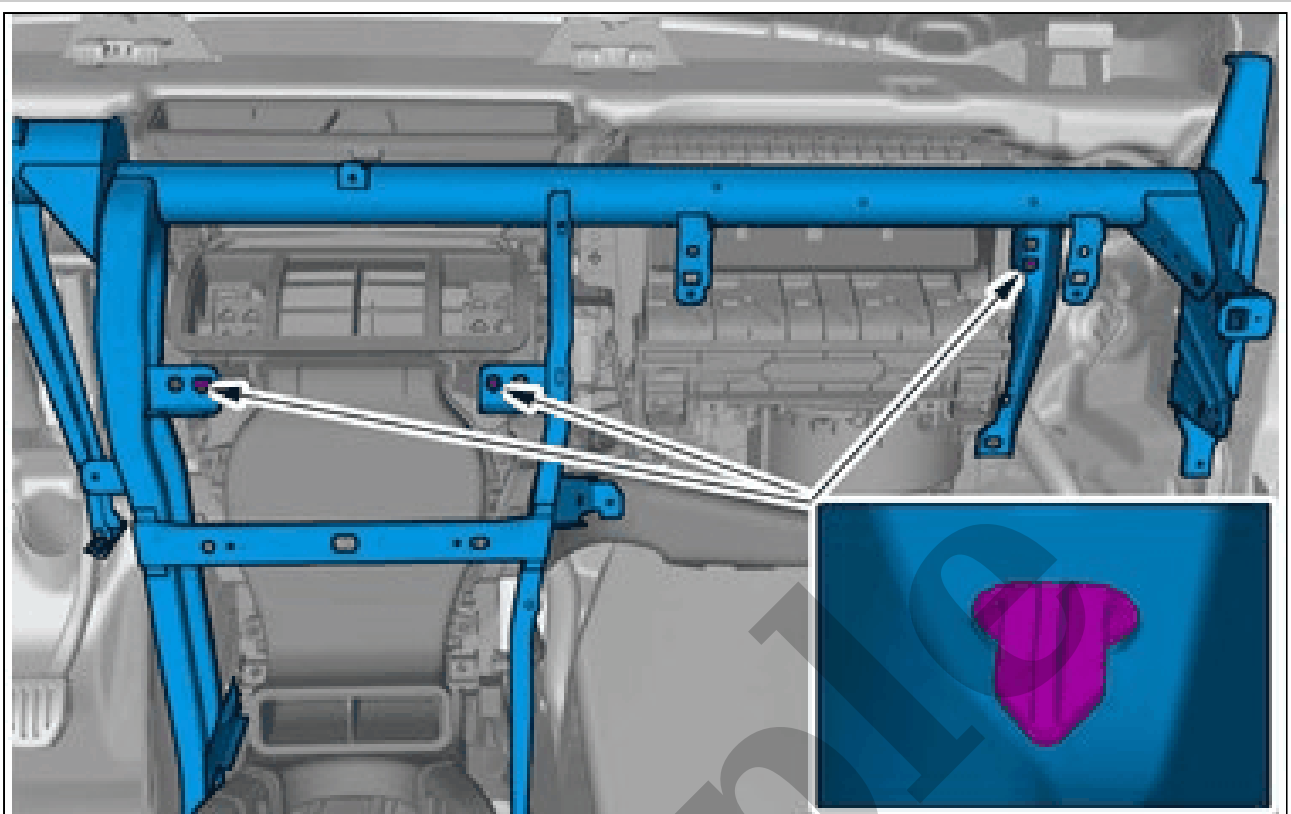
Courtesy of VOLVO CARS CORPORATION

On both sides.  
Loosen the clips.  
Remove the marked part.



Courtesy of VOLVO CARS CORPORATION

Remove the screws.  
**Torque:** M8, 24Nm

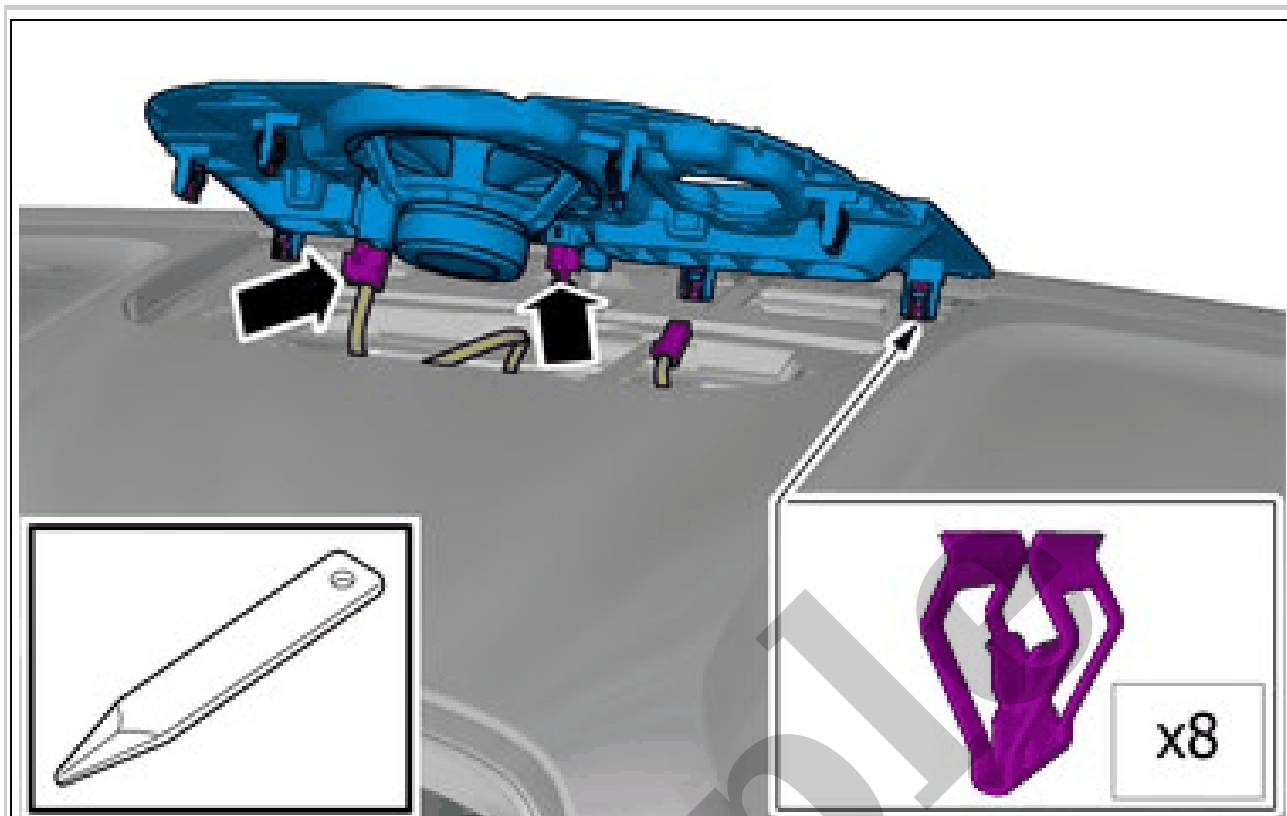


Courtesy of VOLVO CARS CORPORATION

**CAUTION:** Make sure that the component is positioned correctly.

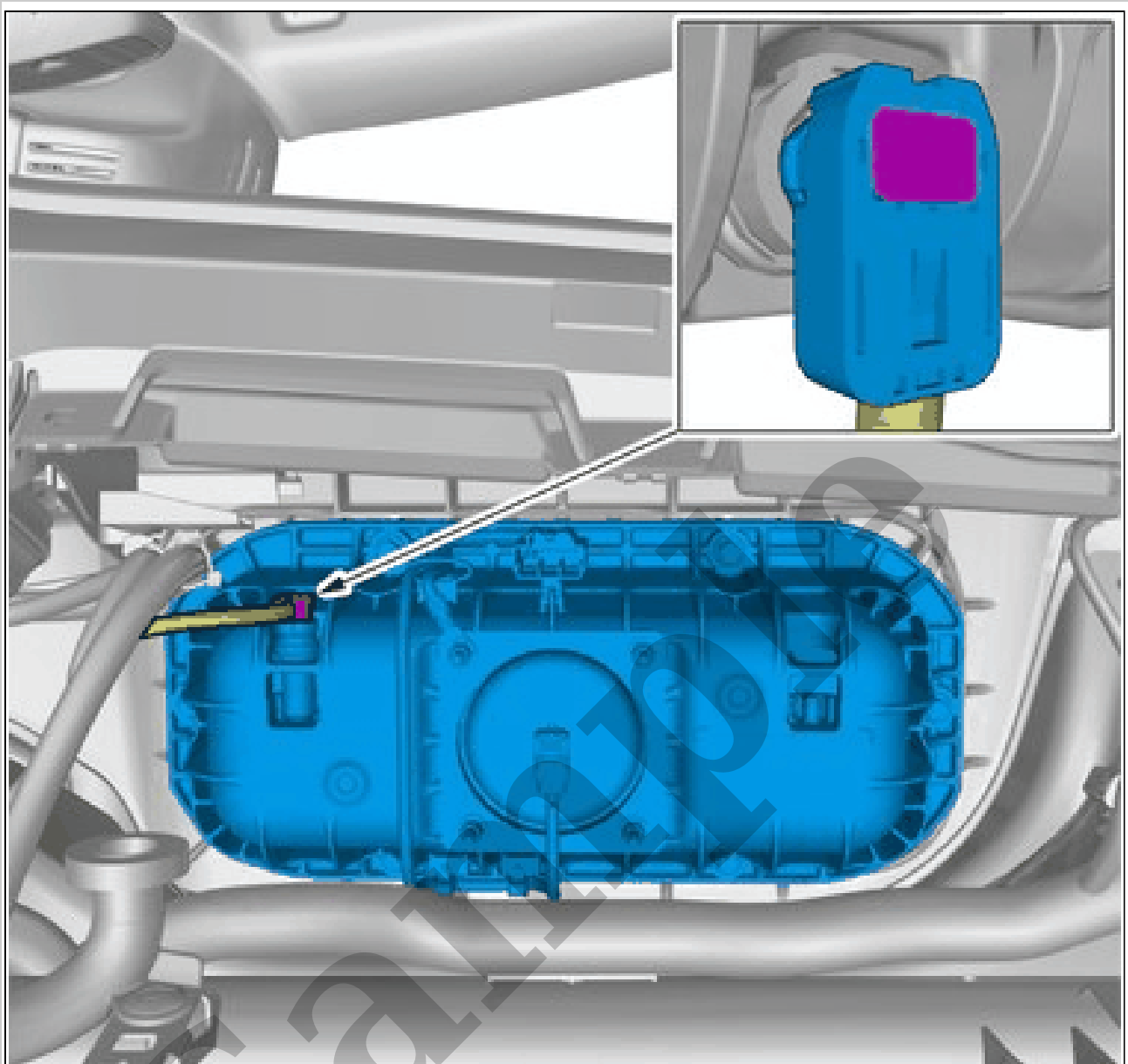
**CAUTION:** Make sure that the component is correctly located on the locating dowels.





Courtesy of VOLVO CARS CORPORATION

Remove the part carefully  
**Use:** Interior trim remover  
Disconnect the connectors.  
Remove the marked part.



Courtesy of VOLVO CARS CORPORATION

**NOTE:** *The number of connectors may vary depending on the vehicle's equipment level.*

Disconnect the connector.  
**ALL VEHICLES**