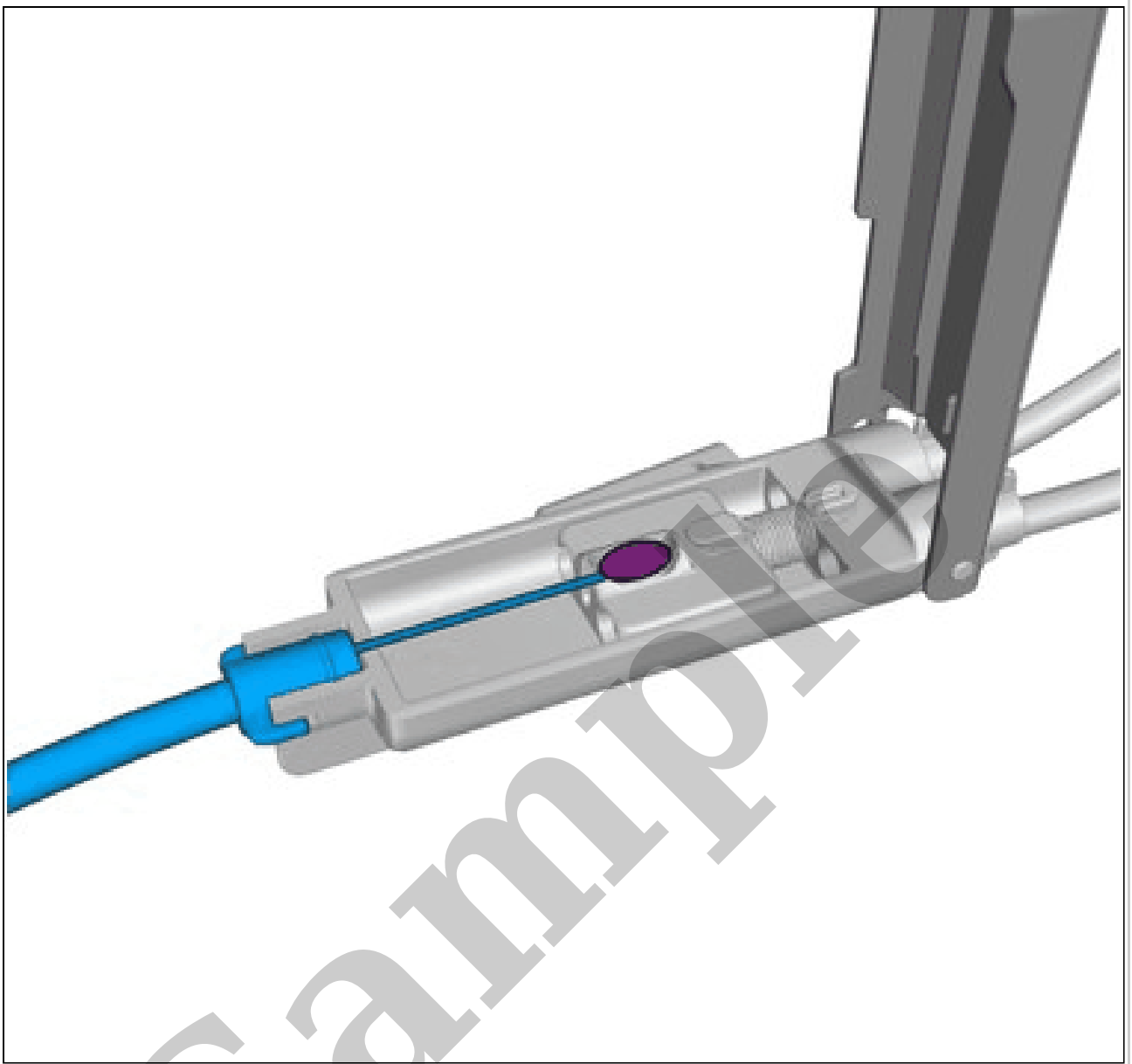


Your Ultimate Source for OEM Repair Manuals

FactoryManuals.net is a great resource for anyone who wants to save money on repairs by doing their own work. The manuals provide detailed instructions and diagrams that make it easy to understand how to fix a vehicle.

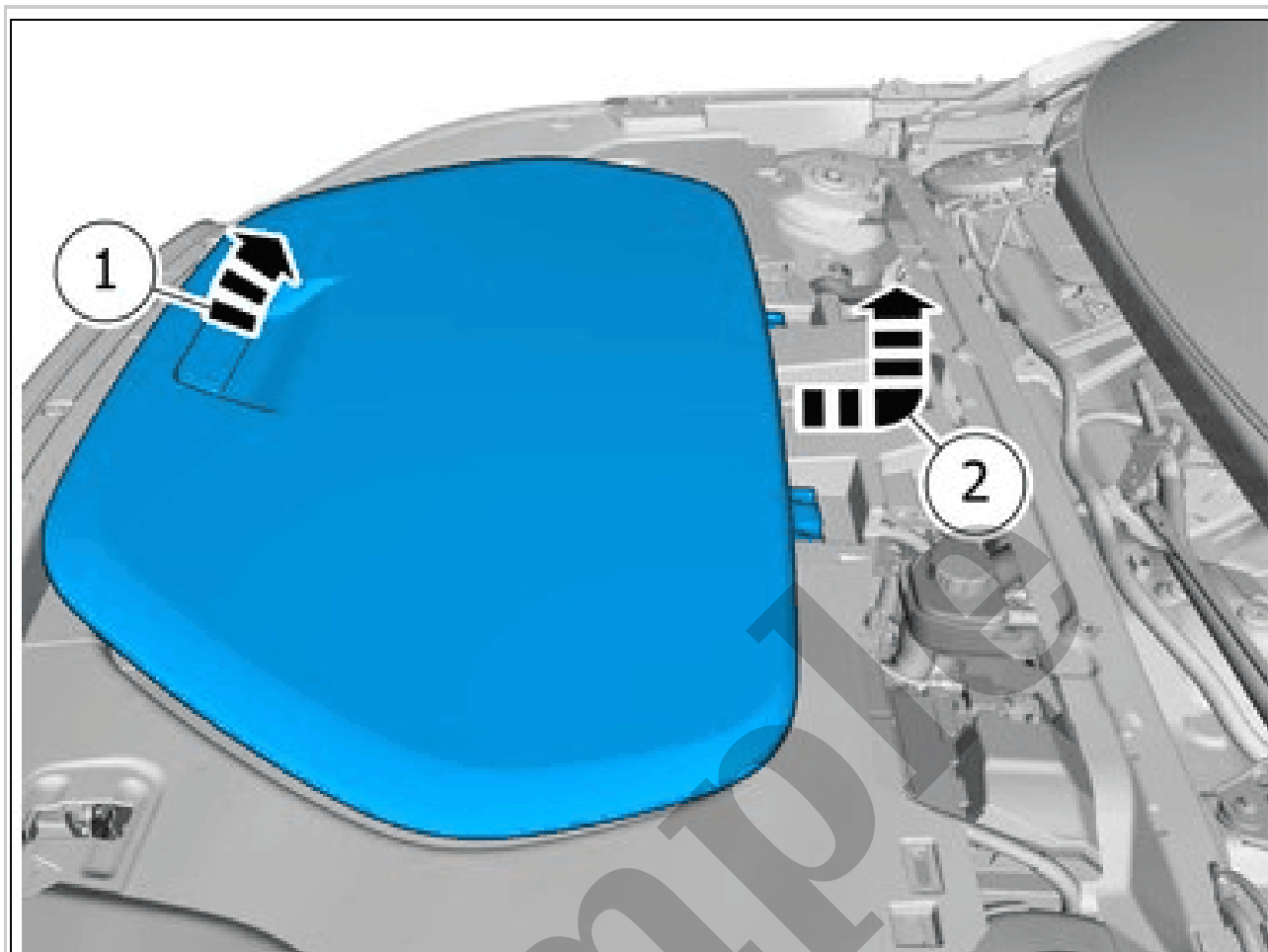
2002 VOLVO S80 OEM Service and Repair Workshop Manual

[Go to manual page](#)



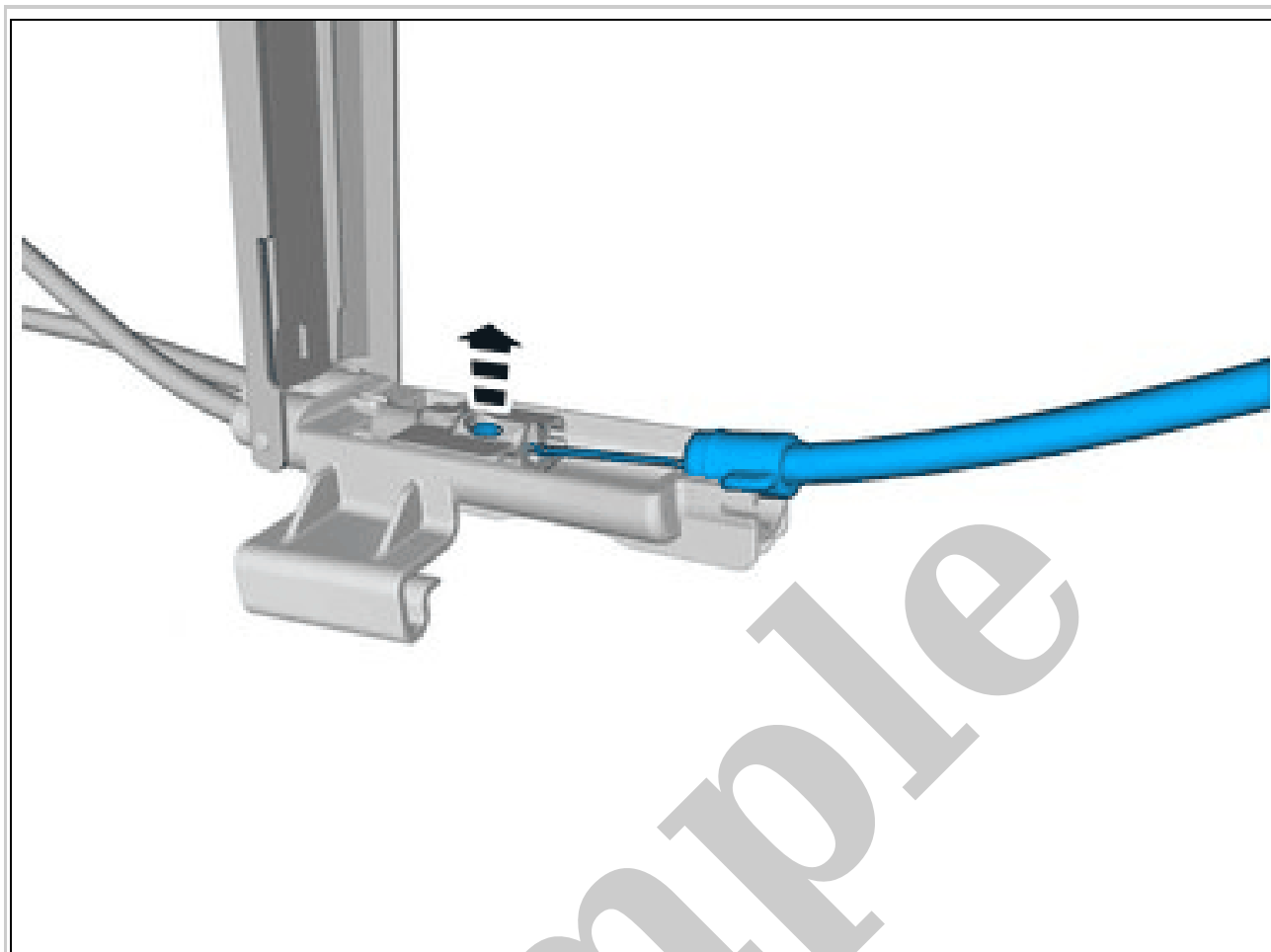
Courtesy of VOLVO CARS CORPORATION

Release the cable.



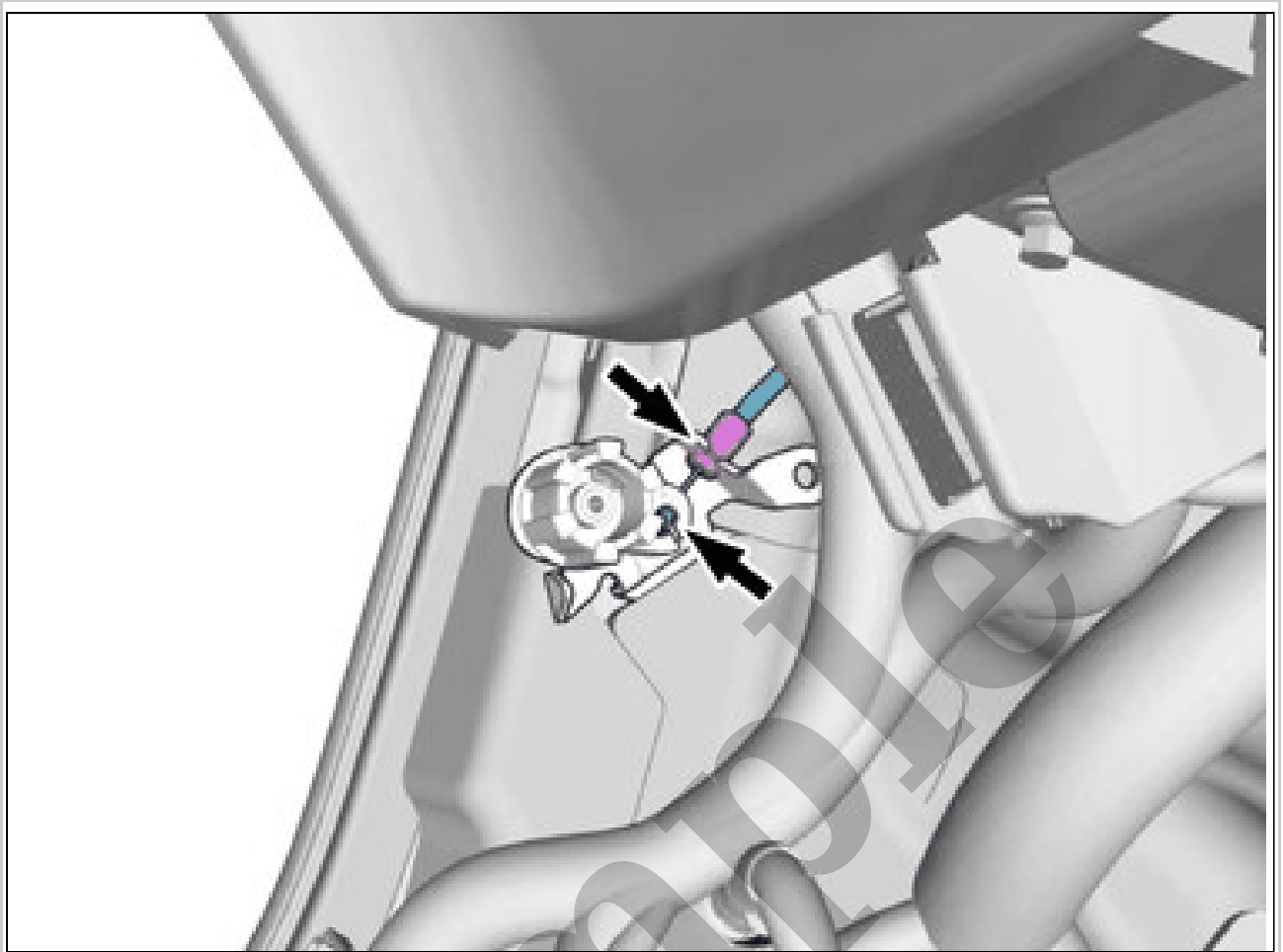
Courtesy of VOLVO CARS CORPORATION

1. Open the lid.
2. Pull the component in direction of the arrow.
Remove the marked part.



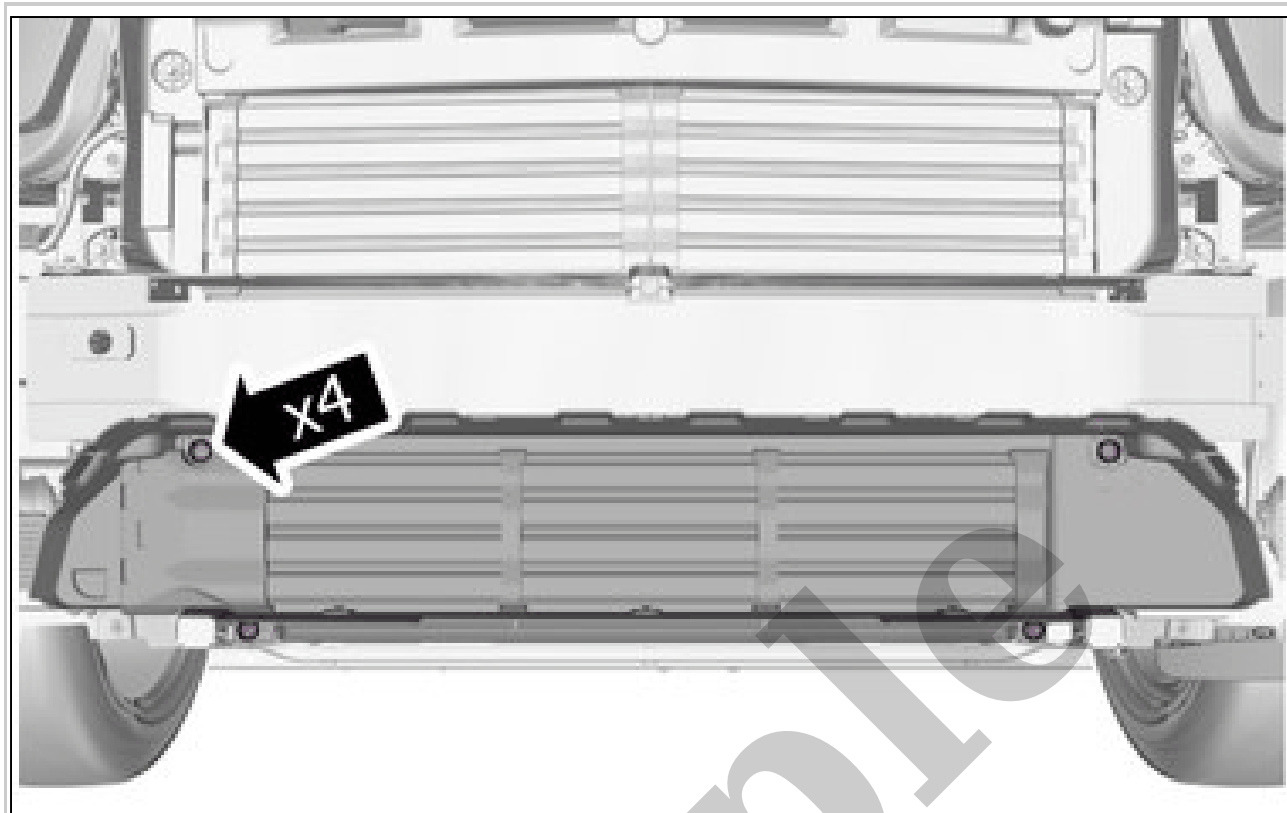
Courtesy of VOLVO CARS CORPORATION

Release the cable.



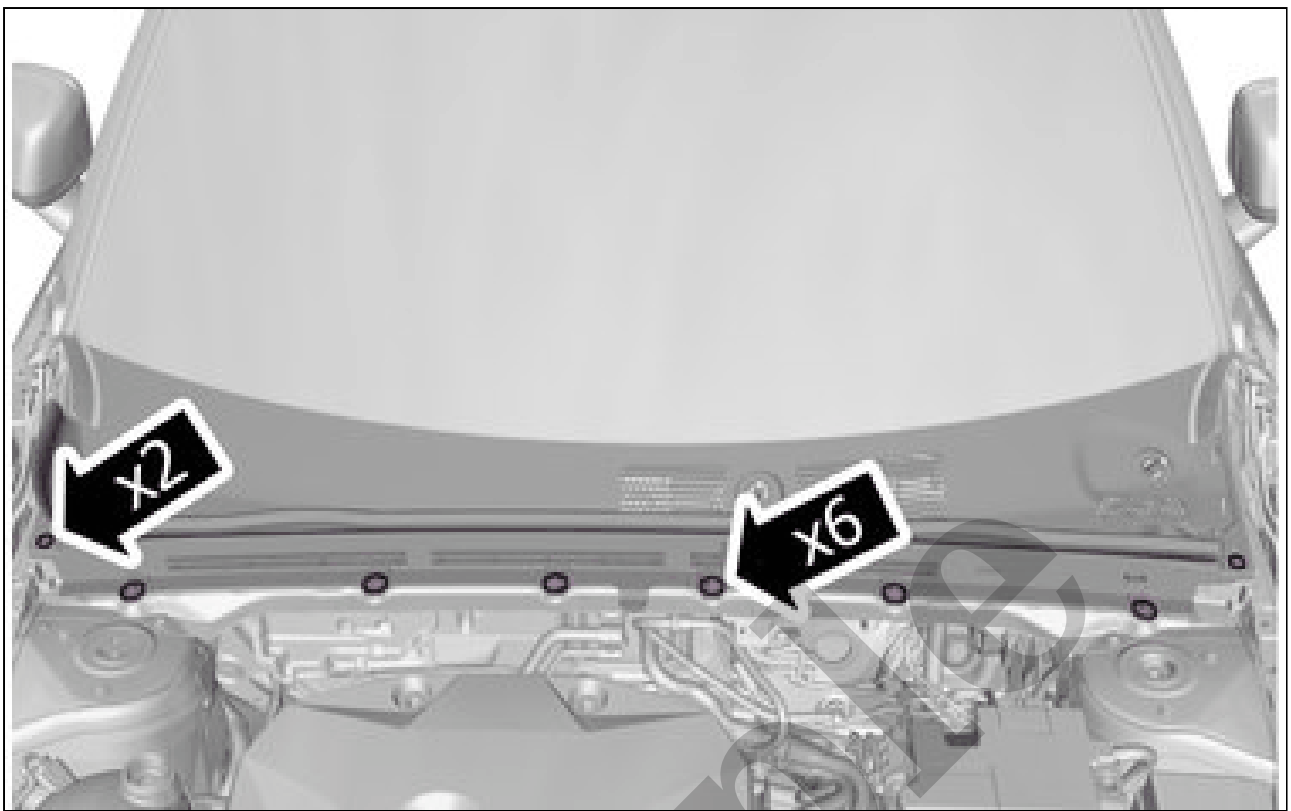
Courtesy of VOLVO CARS CORPORATION

Release the cable.



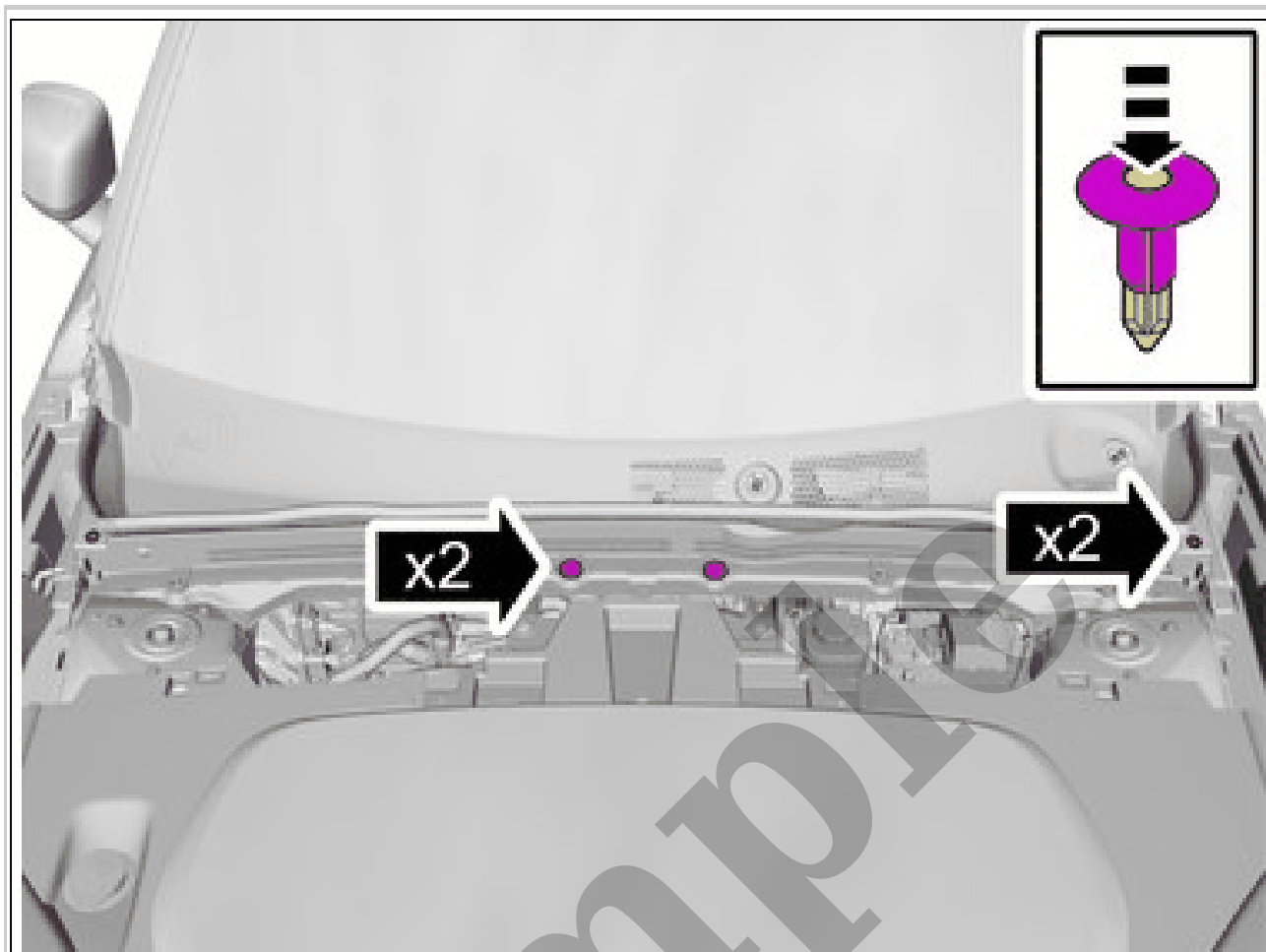
Courtesy of VOLVO CARS CORPORATION

Remove the screws.



Courtesy of VOLVO CARS CORPORATION

Torque: Plenum cover to body, 2.5Nm
Remove the screws.
Loosen the clips.

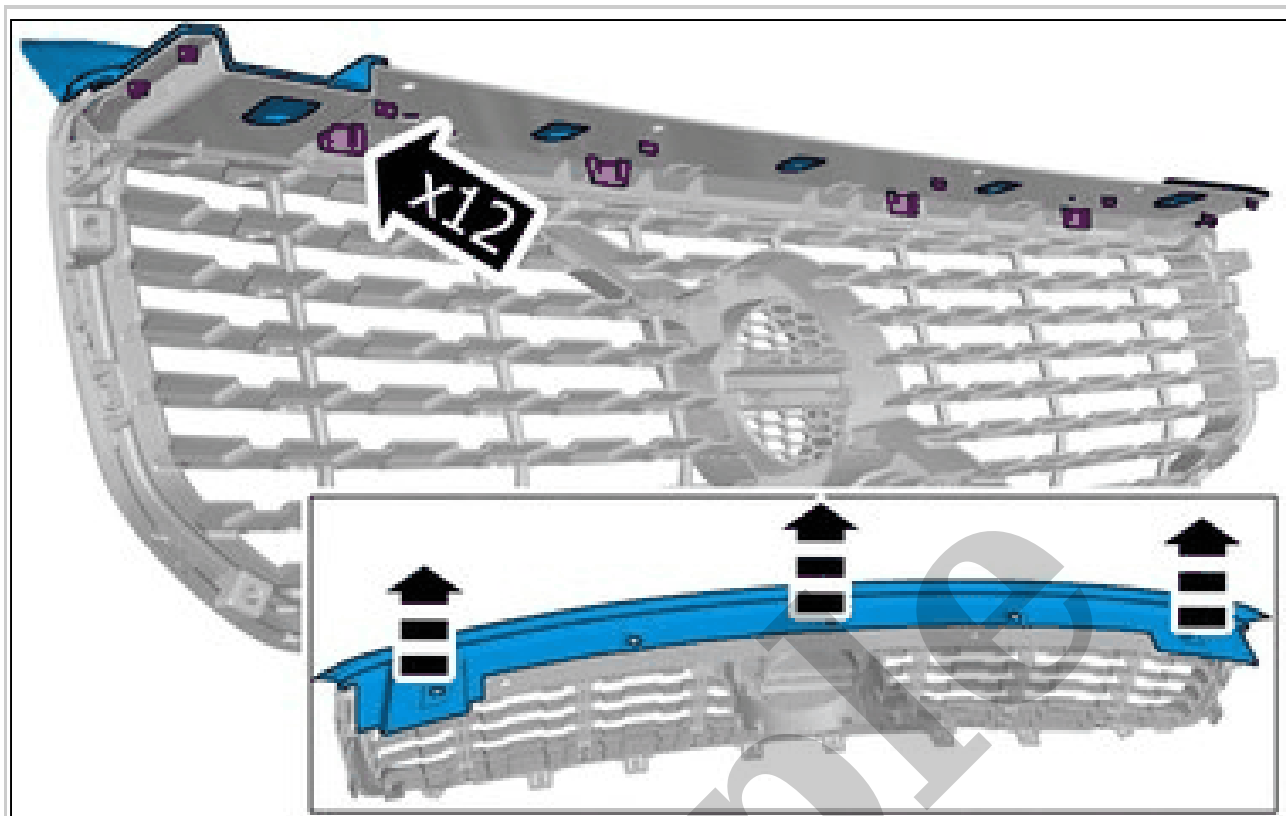


Courtesy of VOLVO CARS CORPORATION

Remove the clips.

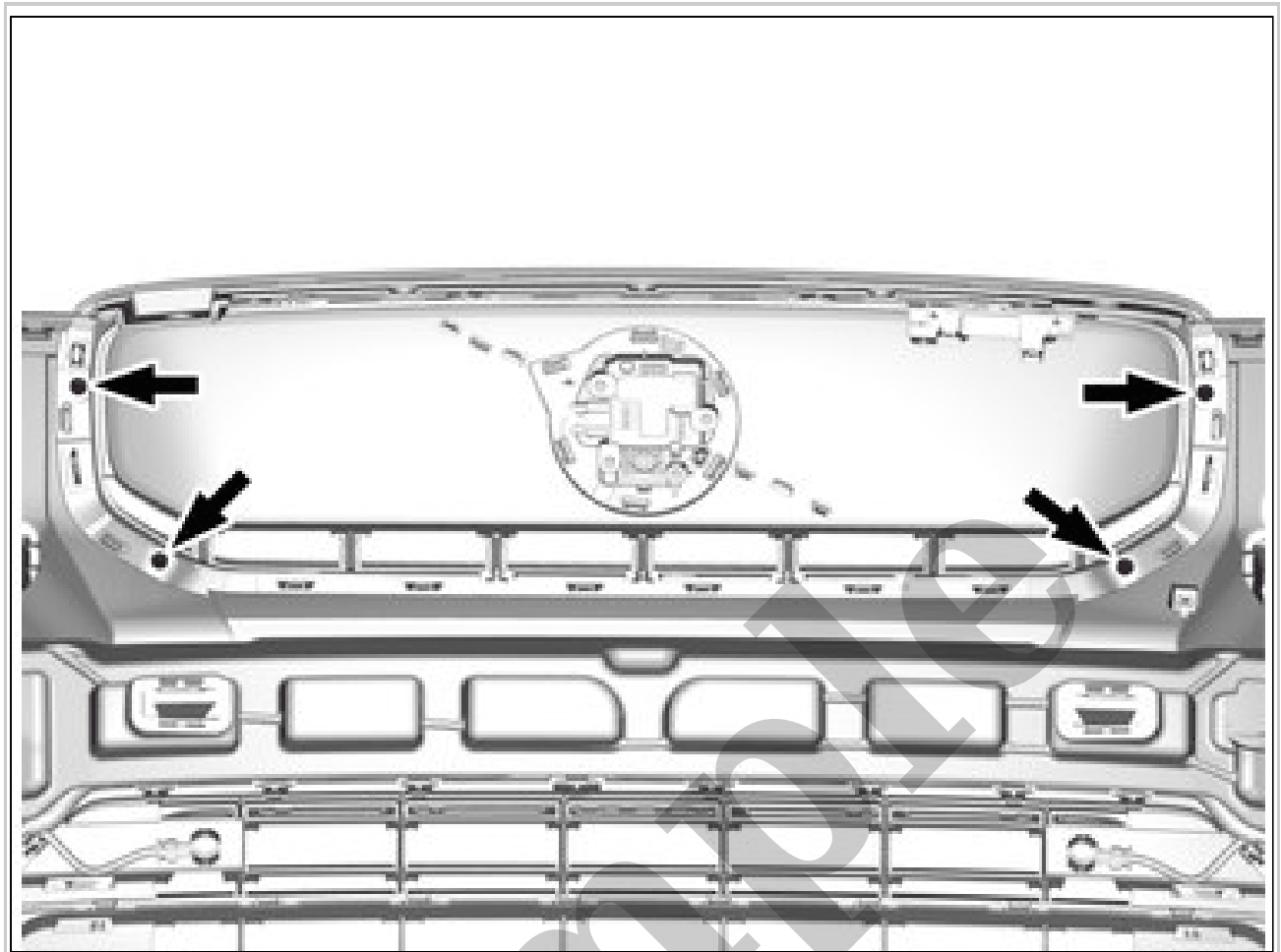
Remove the screws.

Torque: Plenum cover to body, 2.5Nm



Courtesy of VOLVO CARS CORPORATION

Remove the marked part.



Courtesy of VOLVO CARS CORPORATION

Remove the screws.