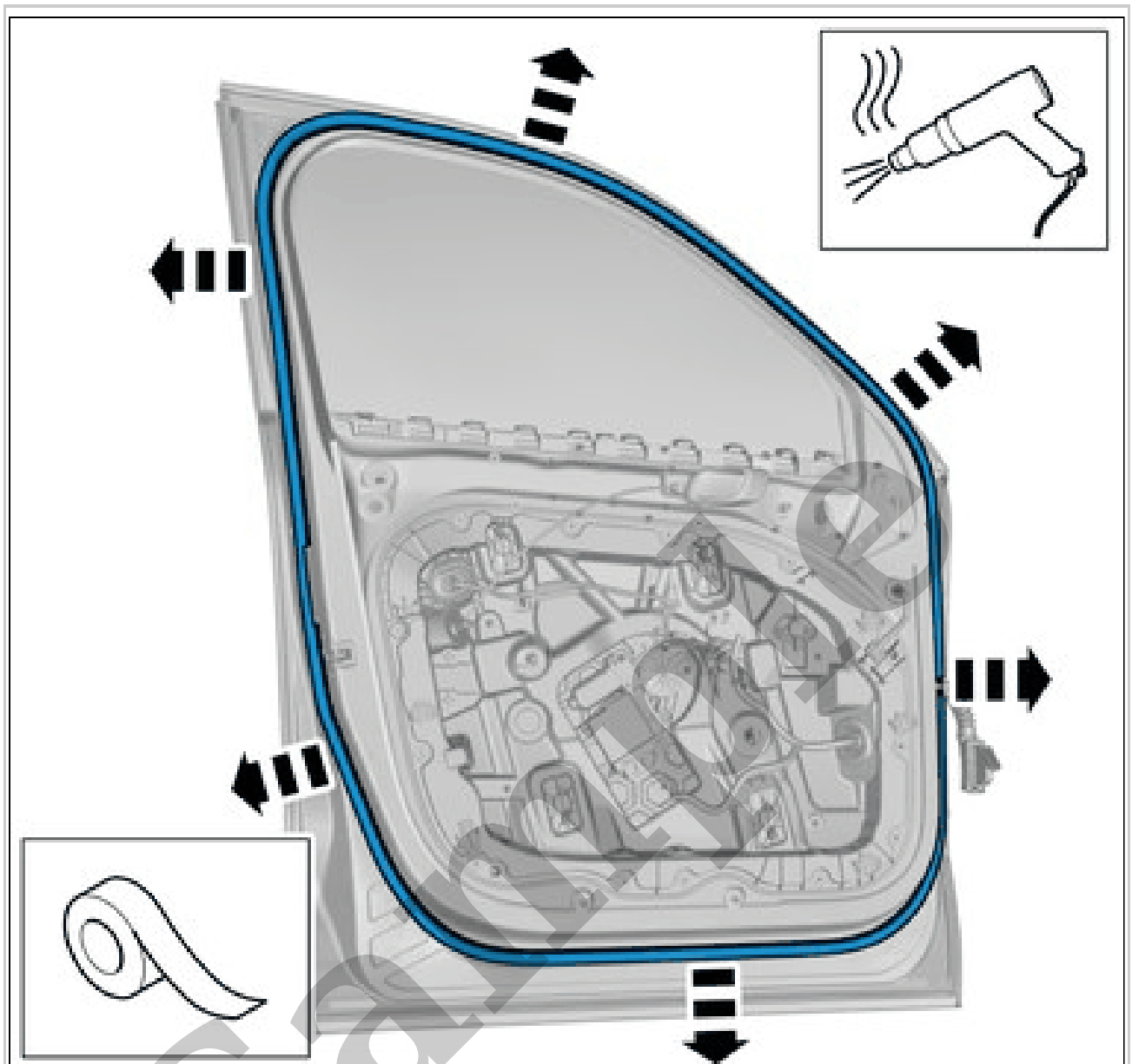


# Your Ultimate Source for OEM Repair Manuals

FactoryManuals.net is a great resource for anyone who wants to save money on repairs by doing their own work. The manuals provide detailed instructions and diagrams that make it easy to understand how to fix a vehicle.

## 2002 VOLVO S40 OEM Service and Repair Workshop Manual

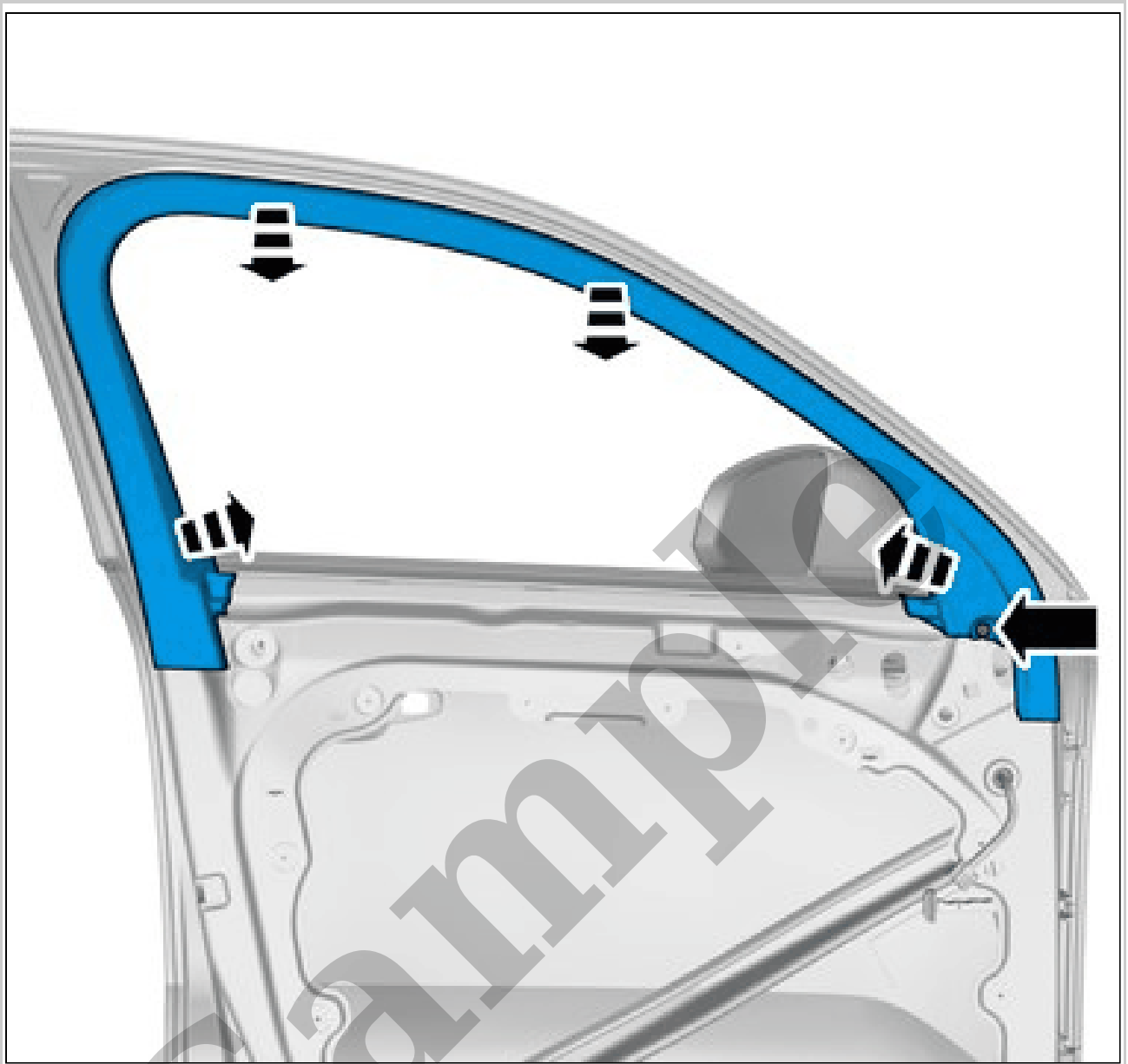
[Go to manual page](#)



Courtesy of VOLVO CARS CORPORATION

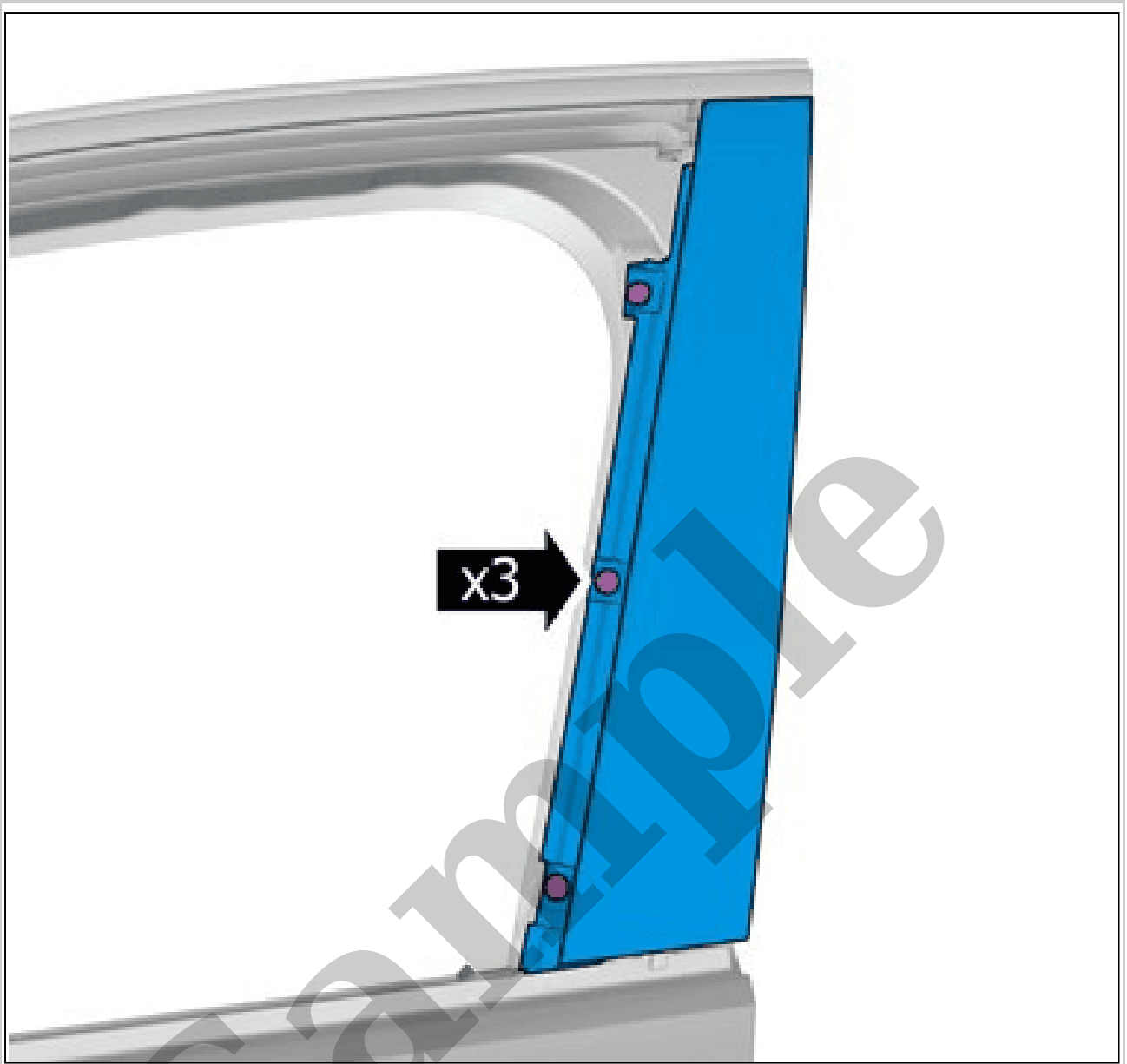
**CAUTION:** Make sure that the surrounding components are protected from heat.

**CAUTION:** Note the position of the component before removal.



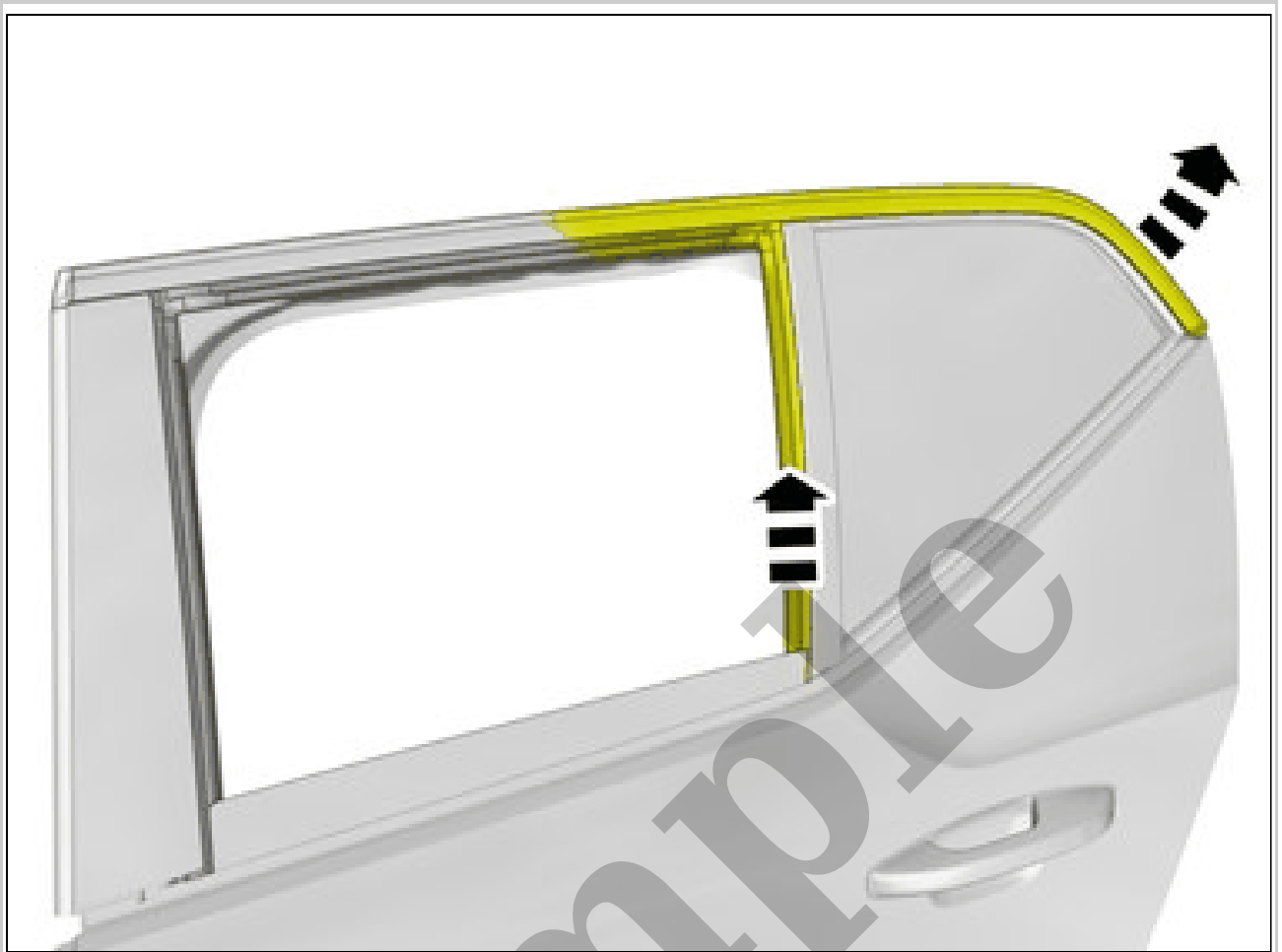
Courtesy of VOLVO CARS CORPORATION

Loosen the clip.  
Remove the marked part.



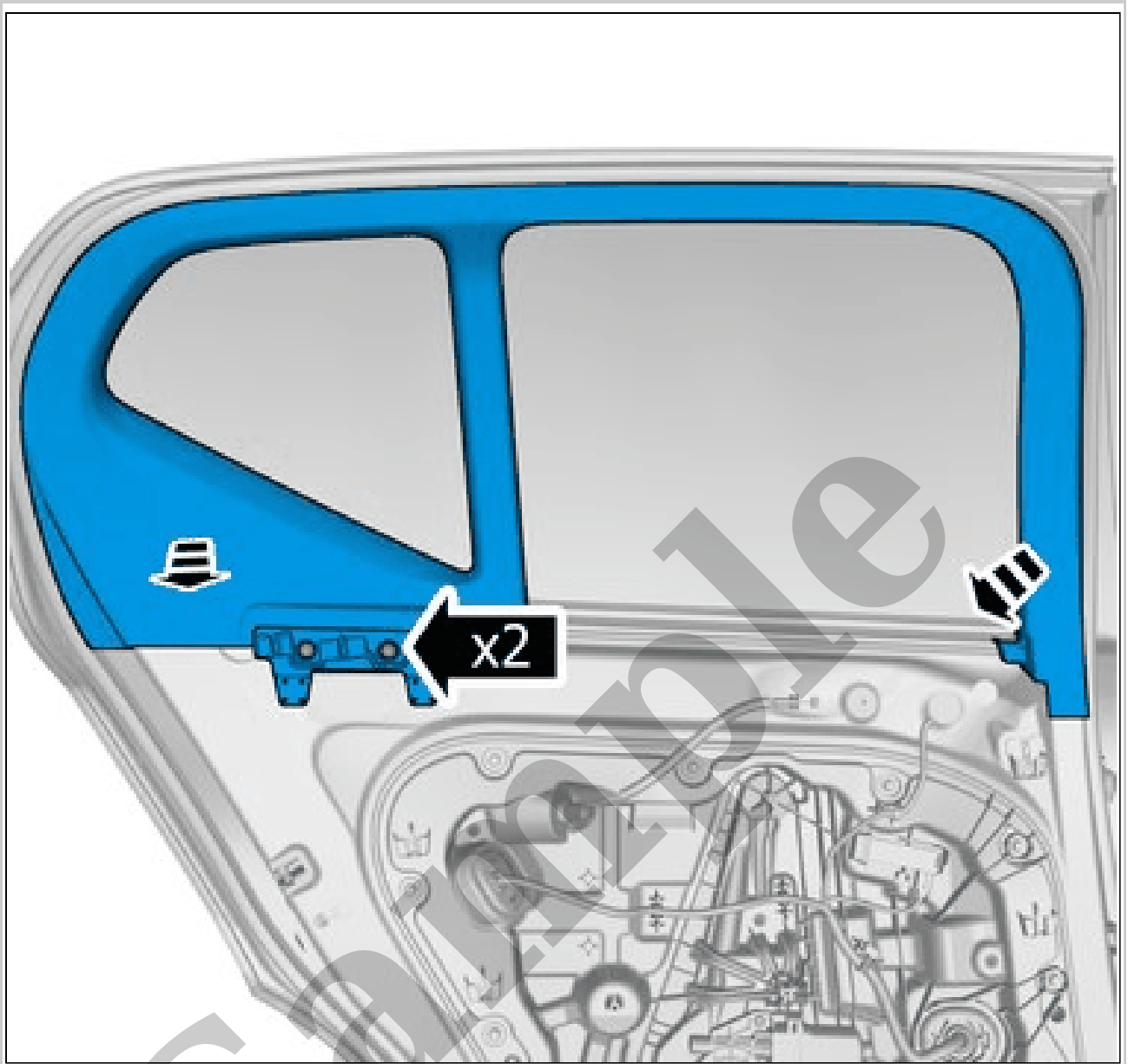
Courtesy of VOLVO CARS CORPORATION

Remove the screws.  
Remove the marked part.



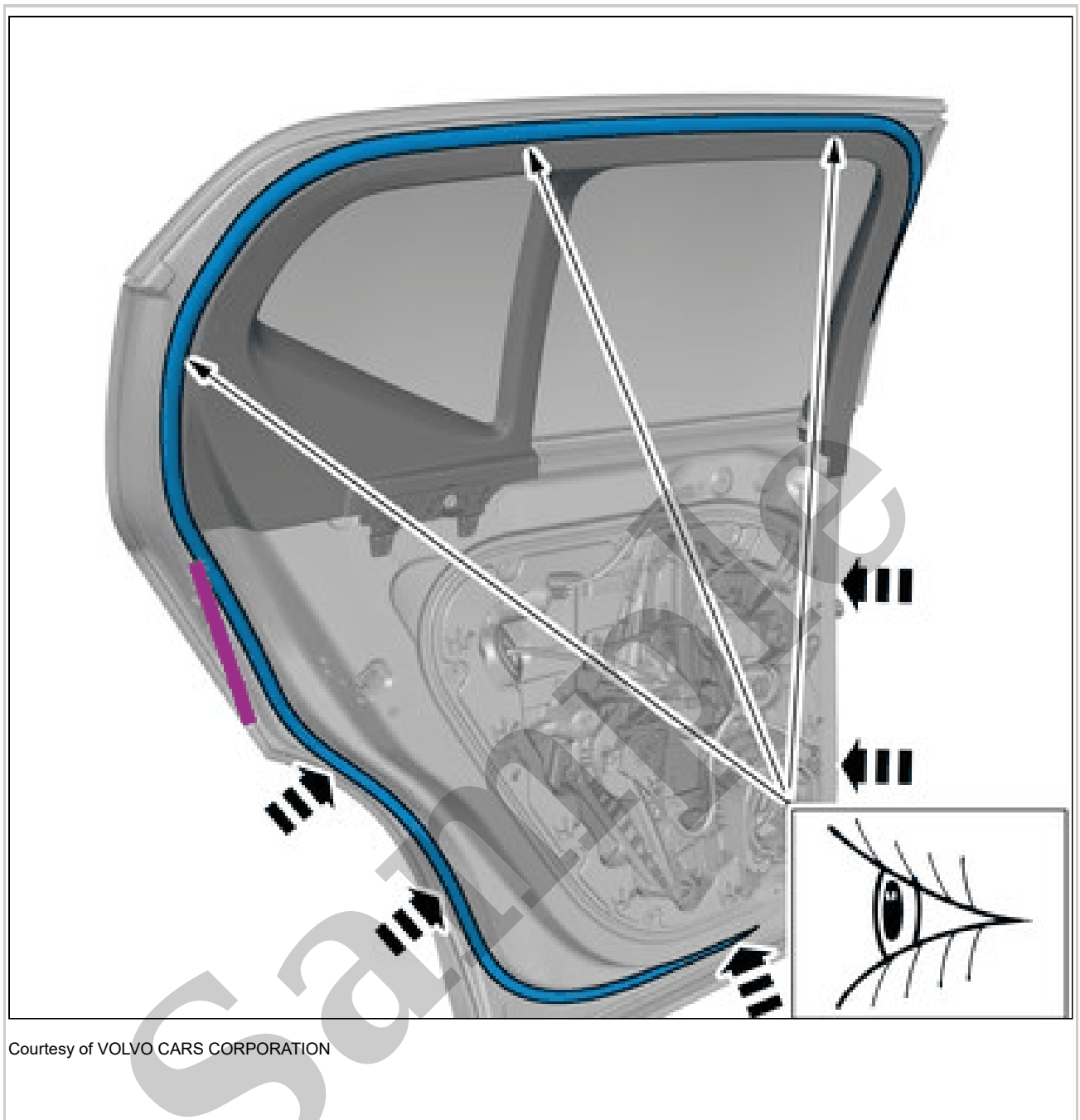
Courtesy of VOLVO CARS CORPORATION

Remove the part carefully



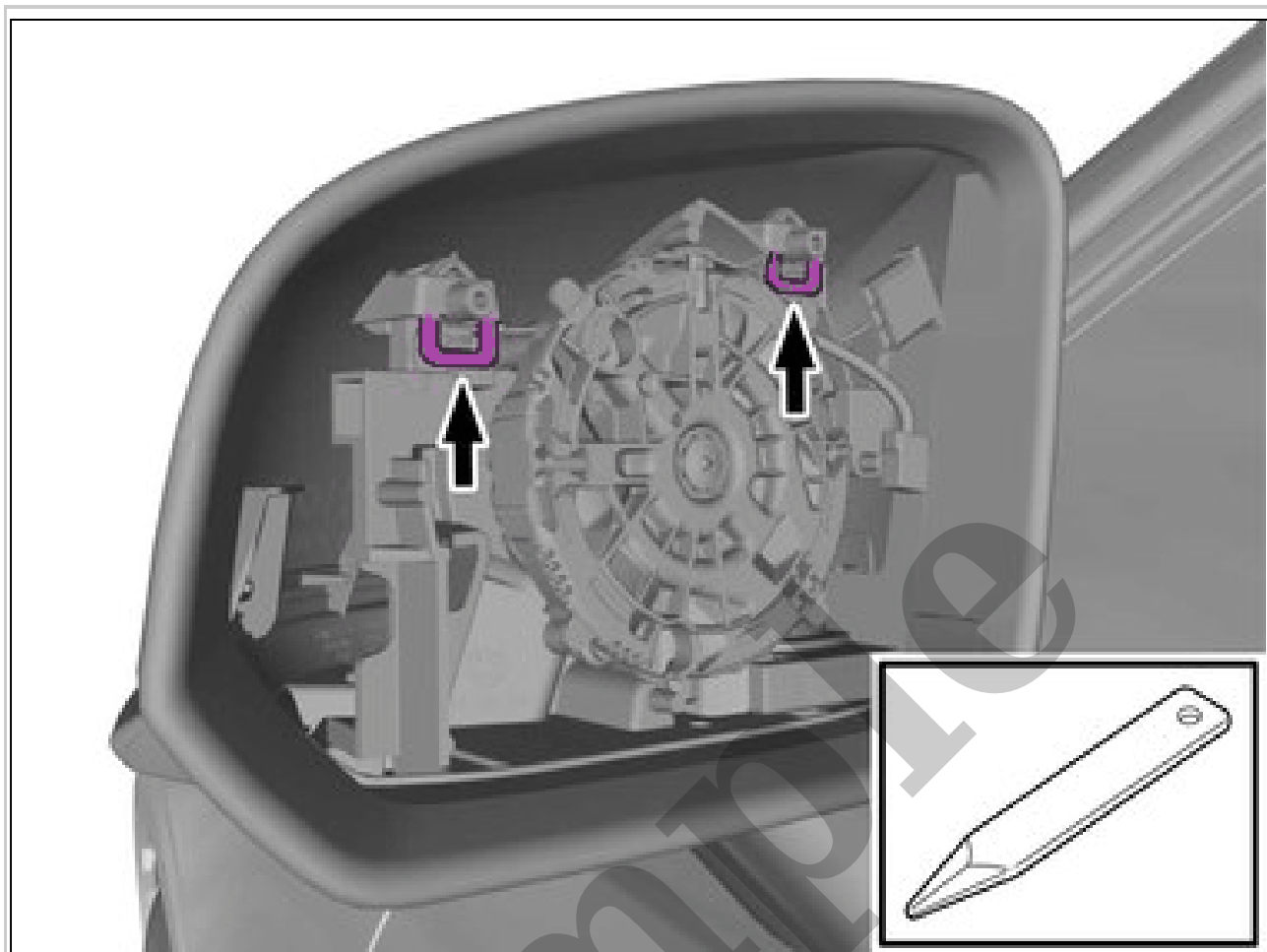
Courtesy of VOLVO CARS CORPORATION

Remove the screws.  
Remove the marked part.  
**Torque:** M6, 10Nm



Remove the protective film.  
To install, reverse the removal procedure.

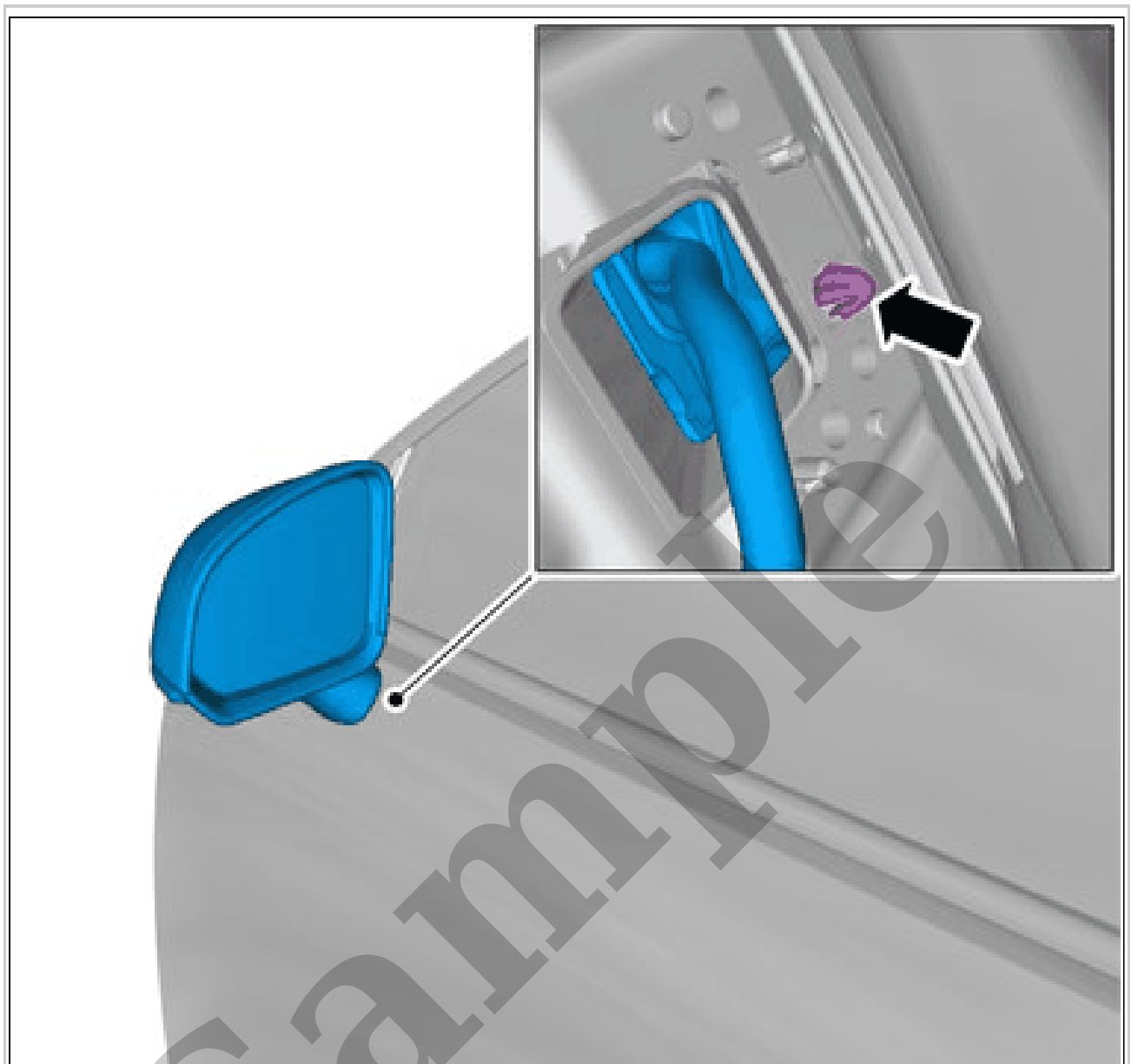
**WEATHERSTRIP, DOOR WINDOW, FRONT > WEATHERSTRIP, DOOR WINDOW,  
FRONT [2018-2022] > REMOVAL**



Courtesy of VOLVO CARS CORPORATION

Release the catches.





Courtesy of VOLVO CARS CORPORATION

**HINT: This step may require the aid of another technician.**

Loosen the clip.

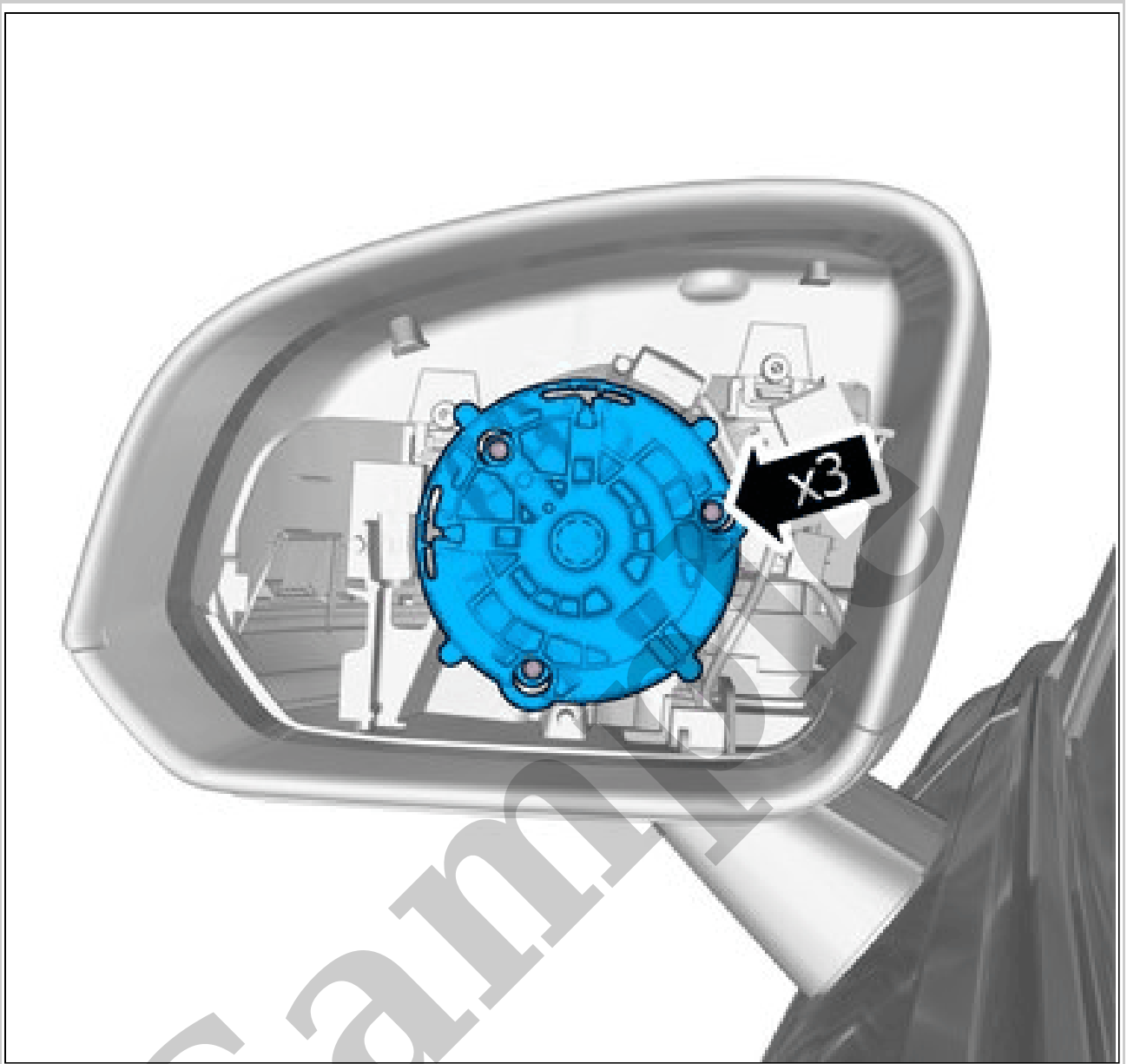
Remove the marked part.

## **EXTERNAL MIRROR > EXTERNAL MIRROR [2018-2022] > INSTALLATION**

To install, reverse the removal procedure.

## **GLASS, EXTERNAL MIRROR > GLASS, EXTERNAL MIRROR [2018-2022] > REMOVAL**

Set the vehicle to Inactive mode, described in user mode. Refer to: USAGE MODE



Courtesy of VOLVO CARS CORPORATION

Remove the screws.