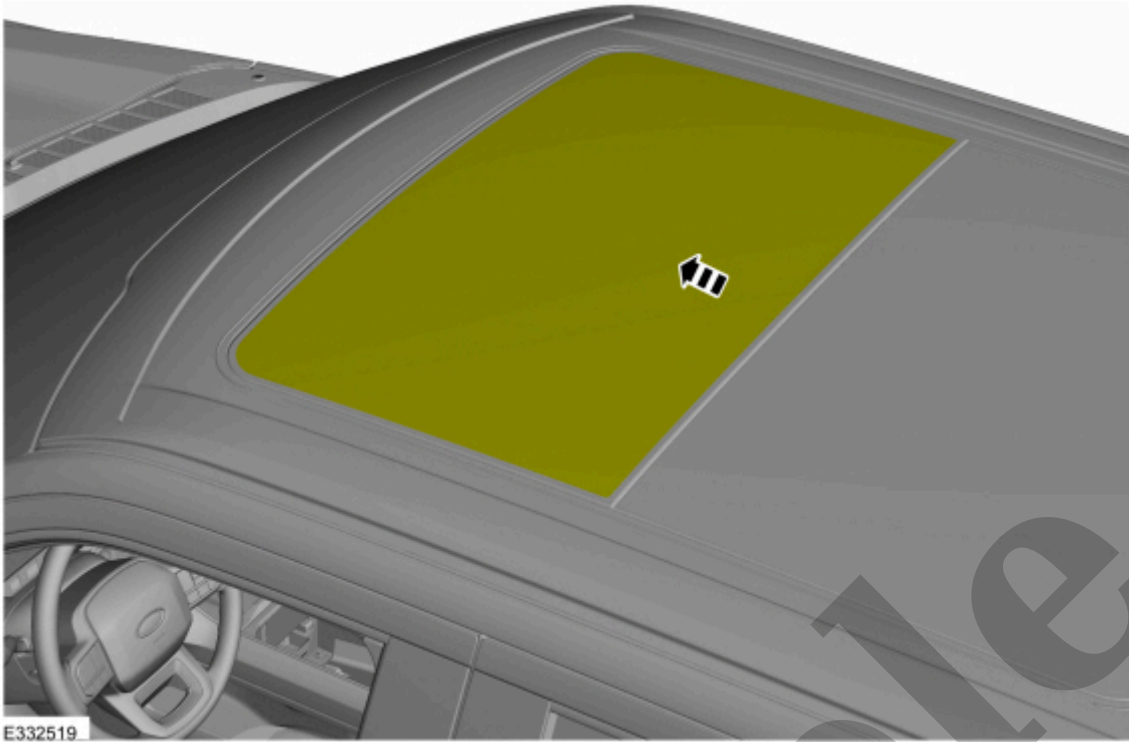


Your Ultimate Source for OEM Repair Manuals

FactoryManuals.net is a great resource for anyone who wants to save money on repairs by doing their own work. The manuals provide detailed instructions and diagrams that make it easy to understand how to fix a vehicle.

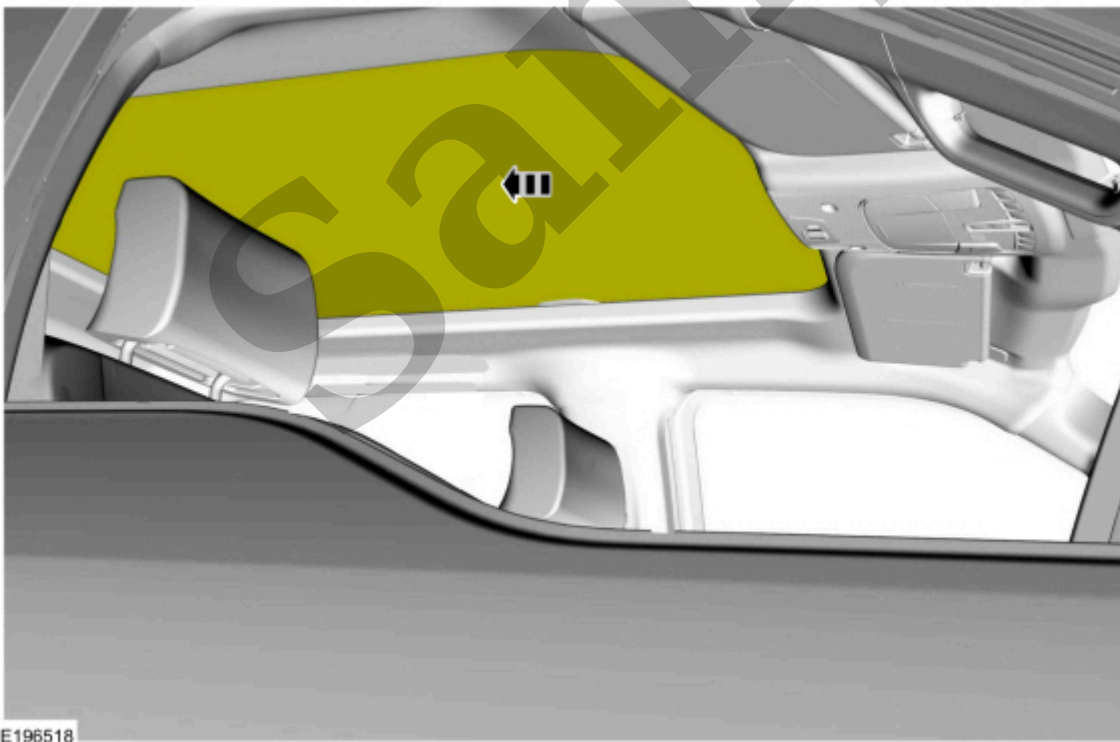
2002 FORD Ranger Super Cab OEM Service and Repair Workshop Manual

[Go to manual page](#)



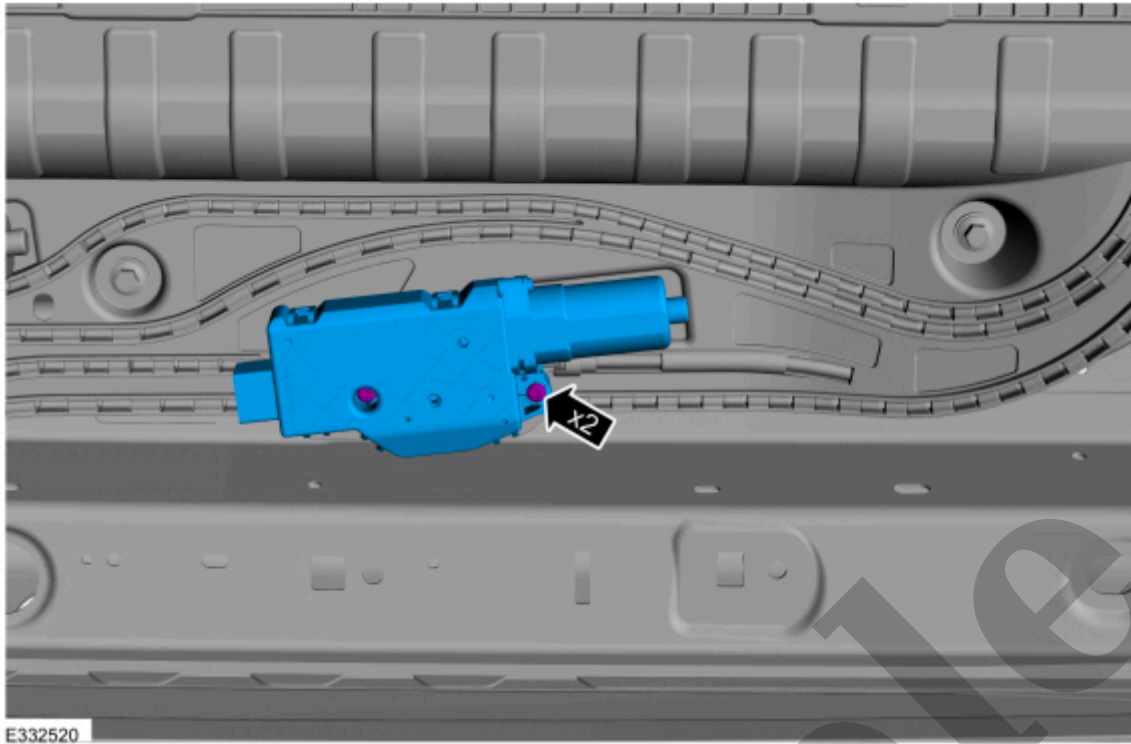
[Click here to learn about symbols, color coding, and icons used in this manual.](#)

2. Fully open the roof opening panel shield.



[Click here to learn about symbols, color coding, and icons used in this manual.](#)

3. Lower the headliner.



[Click here to learn about symbols, color coding, and icons used in this manual.](#)

Installation

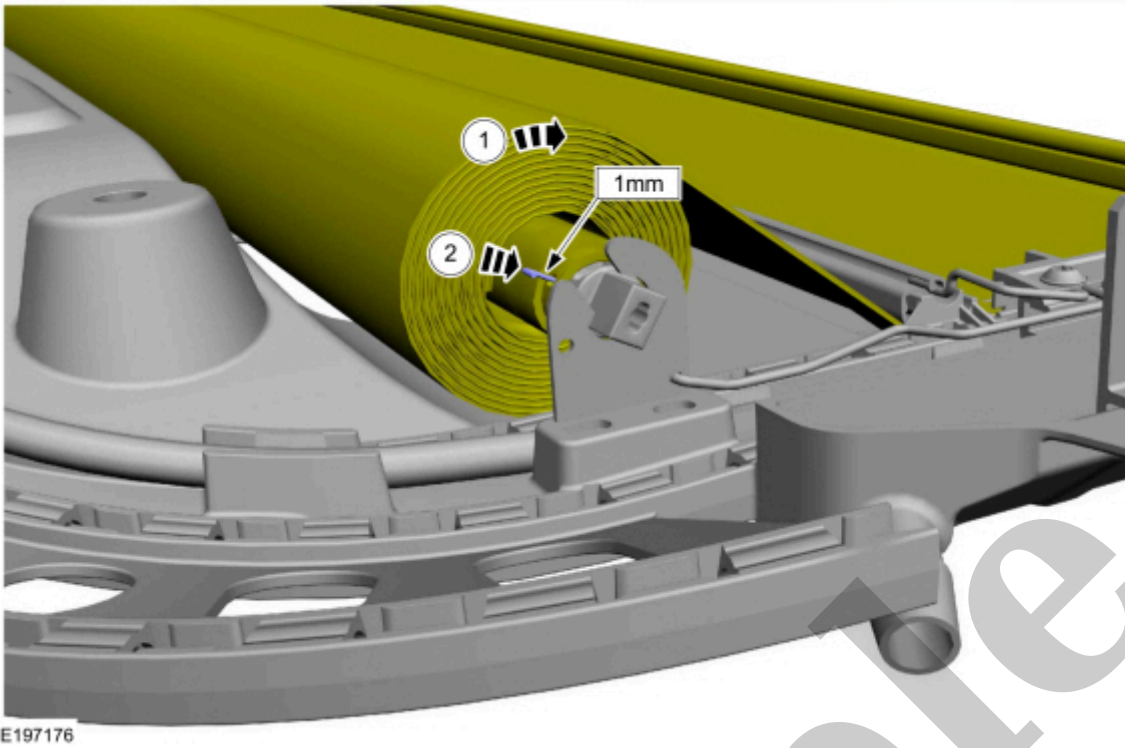
1. NOTE

When installing the roof opening panel motor, it may be necessary to turn the roof opening panel motor slightly to engage the drive splines.

To install, reverse the removal procedure.

2. Initialize the power roof opening panel.

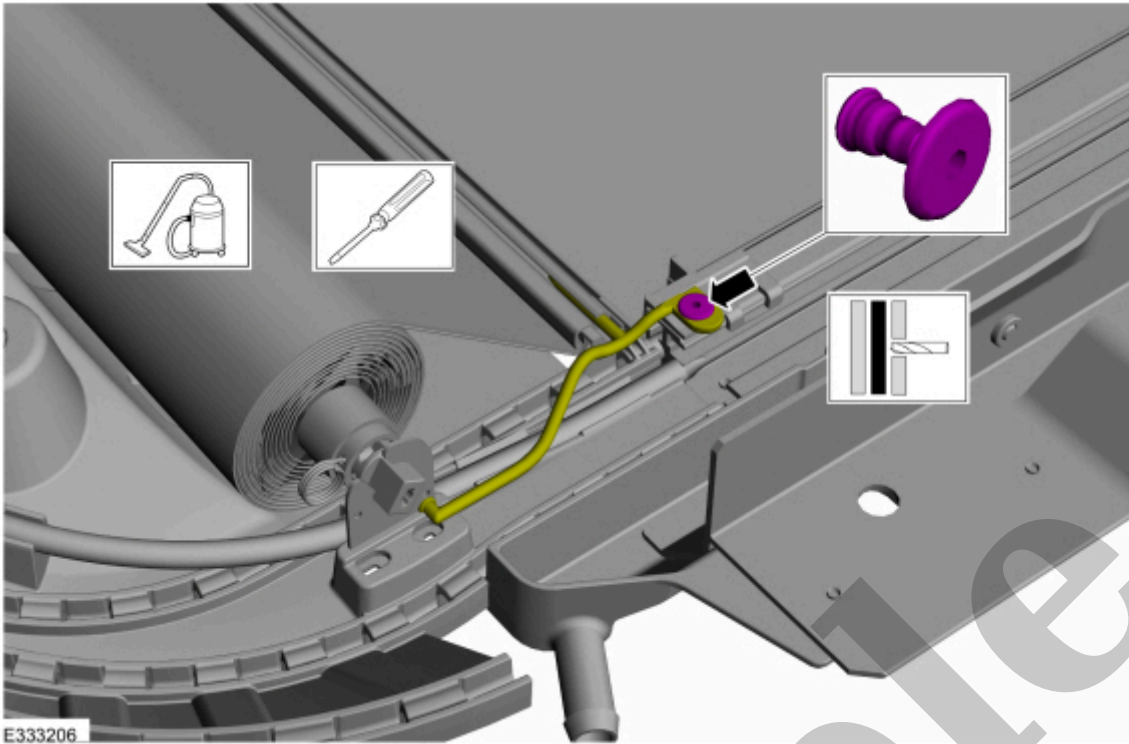
Refer to: [Power Roof Opening Panel Initialization](#)(501-17 Roof Opening Panel, General Procedures).



[Click here to learn about symbols, color coding, and icons used in this manual.](#)

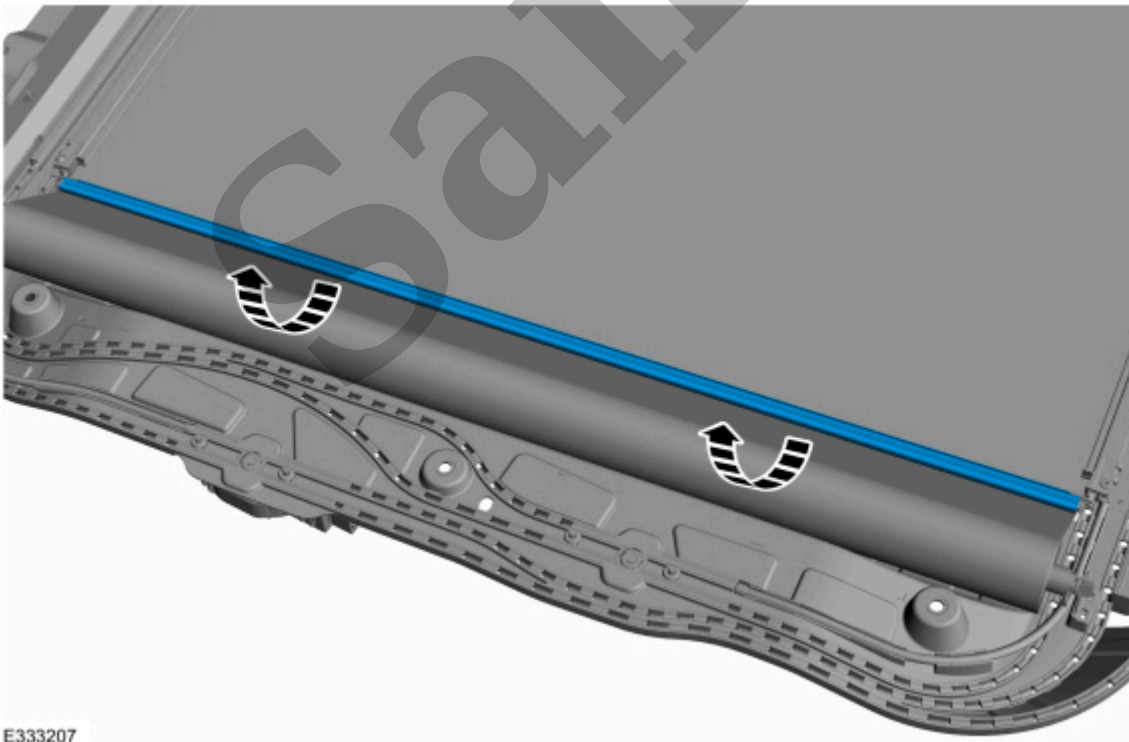
3. Detach the shield cross bar from the shield drive cable arms on both sides.

1. Insert a 2mm (0.039 in) hex wrench into the gap on the cable arm and apply pressure against the roof opening shield crossbar.
2. Insert a flat bladed screwdriver between the shield drive cable and the roof opening shield crossbar. Using a twisting motion, detach the roof opening shield crossbar.



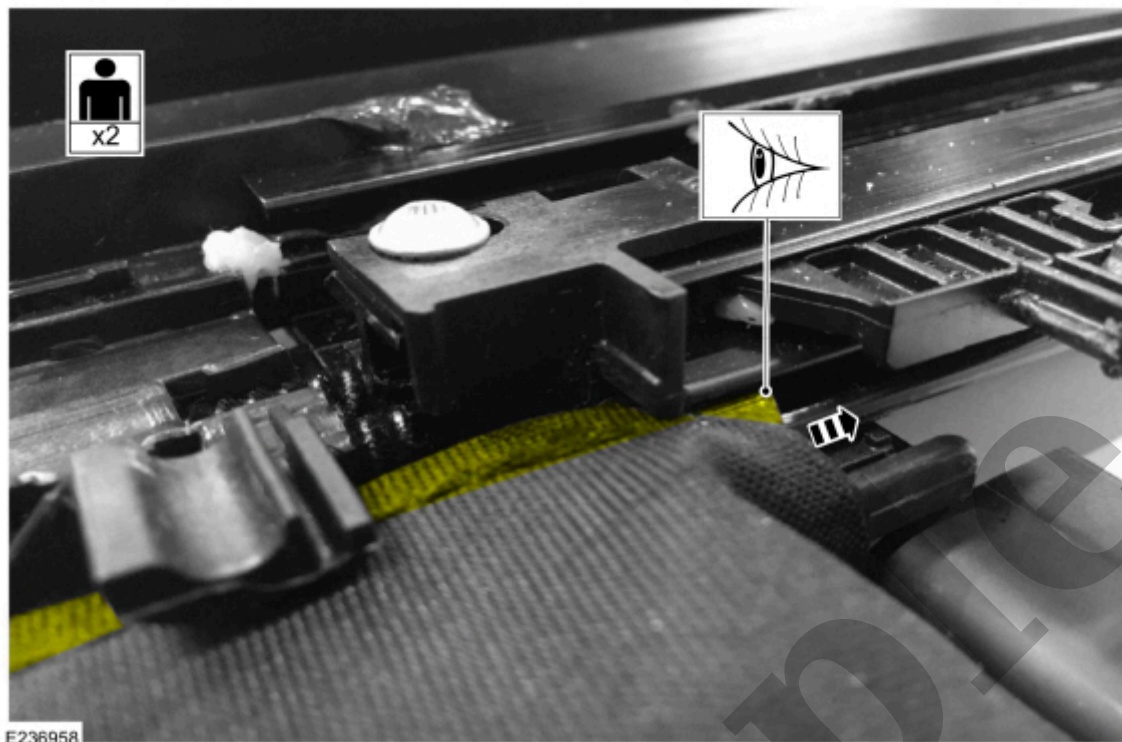
[Click here to learn about symbols, color coding, and icons used in this manual.](#)

5. Roll the roof opening panel tension bar upward to detach the bar from the frame and remove the roof opening panel tension bar.



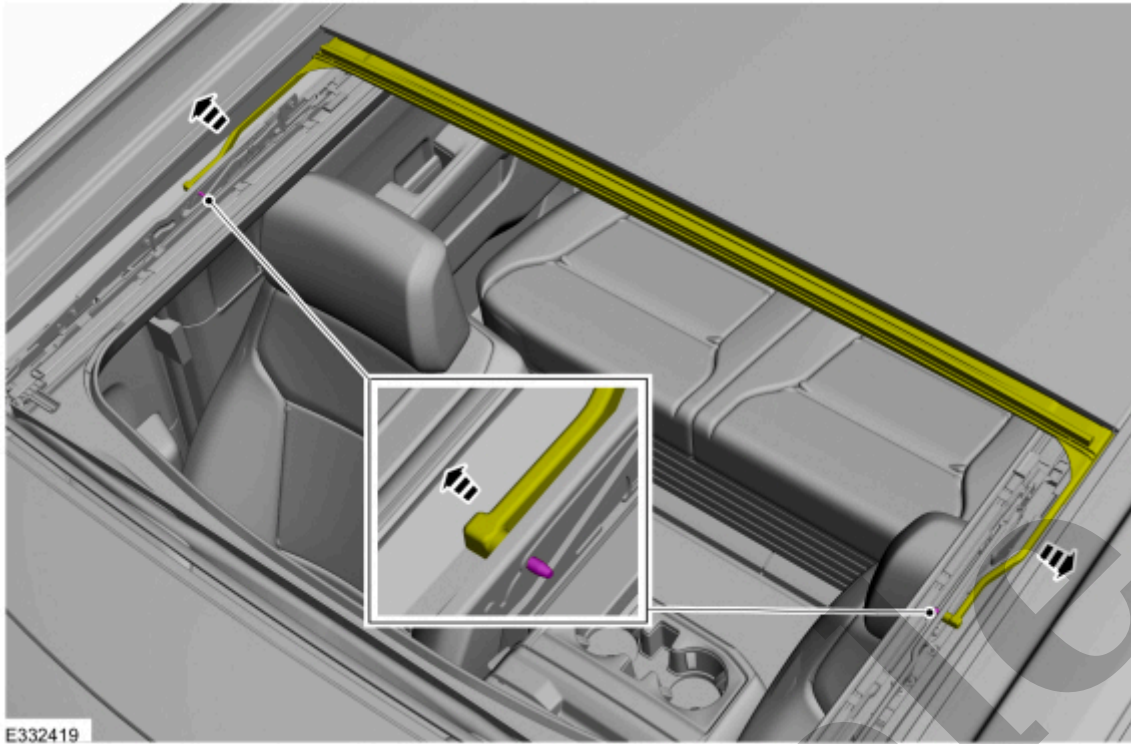
[Click here to learn about symbols, color coding, and icons used in this manual.](#)

When installing the shield, use an assistant to insert the plastic guide strips and seamed edges into the side frame rails evenly on both sides.



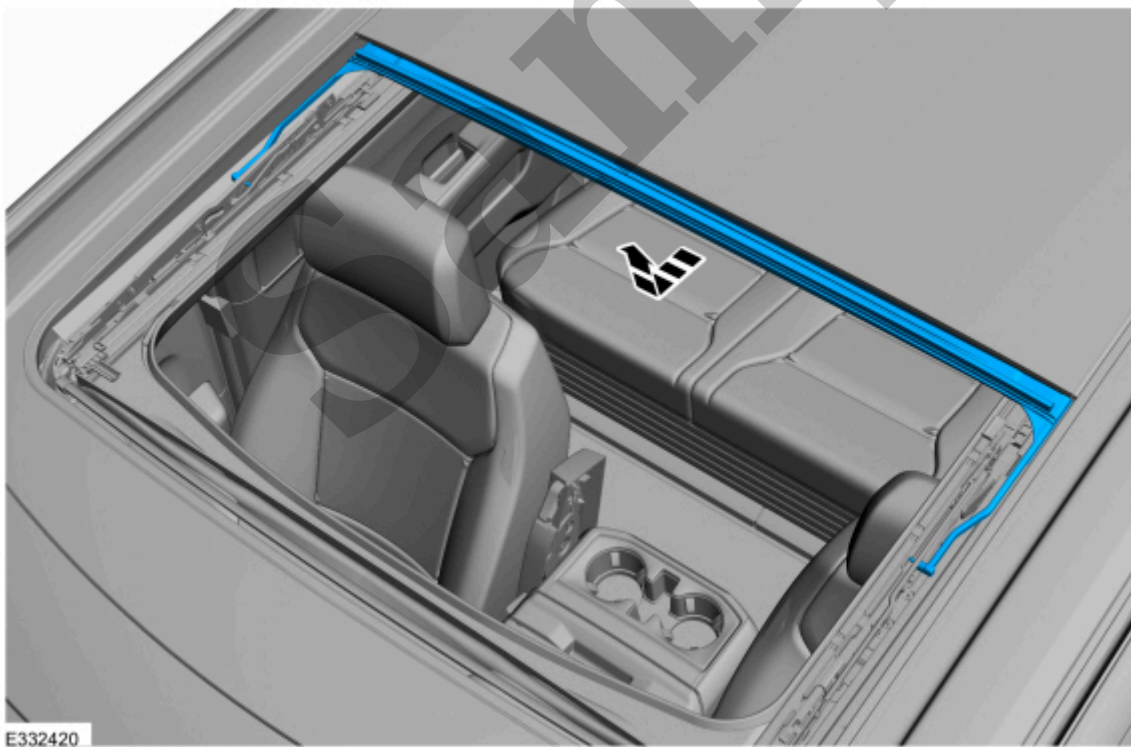
[Click here to learn about symbols, color coding, and icons used in this manual.](#)

Copyright © Ford Motor Company



[Click here to learn about symbols, color coding, and icons used in this manual.](#)

3. Pull the trough assembly towards the front of the vehicle and remove the trough assembly.



[Click here to learn about symbols, color coding, and icons used in this manual.](#)

Installation

Specifications

501-17 Roof Opening Panel	2022 F-150
Specifications	Procedure revision date: 10/20/2014

Specifications

Specifications

Item	Specification
Fixed glass panel to roof flushness, side (at front of glass)	0.0 in (0.0 mm)
Fixed glass panel to roof flushness, rear	0.0 in (0.0 mm)
Sliding glass panel to roof flushness, front	-0.04 - 0.0 in (-1.0 mm - 0.0 mm)
Sliding glass panel to fixed glass panel flushness	0.04 - 0.0 in (1.0 - 0.0 mm)

Using heat not exceeding 425° F to loosen a bonded panel should only be done when all panels in the joint will be replaced and new adhesive applied.

1. **WARNING**

Before beginning any service procedure in this manual, refer to health and safety warnings in section 100-00 General Information. Failure to follow this instruction may result in serious personal injury.

Refer to: [Health and Safety Precautions](#)(100-00 General Information, Description and Operation).

Refer to: [High Voltage System Health and Safety Precautions - Overview](#)(100-00 General Information, Description and Operation).

All vehicles

2. Remove the roof outer panel.

Refer to: [Roof Panel - Regular Cab](#)(501-28 Roof Sheet Metal Repairs, Removal and Installation).

Refer to: [Roof Panel - SuperCab](#)(501-28 Roof Sheet Metal Repairs, Removal and Installation).

Refer to: [Roof Panel - SuperCrew](#)(501-28 Roof Sheet Metal Repairs, Removal and Installation).

Refer to: [Roof Panel - Regular Cab](#)(501-28 Roof Sheet Metal Repairs, Removal and Installation).

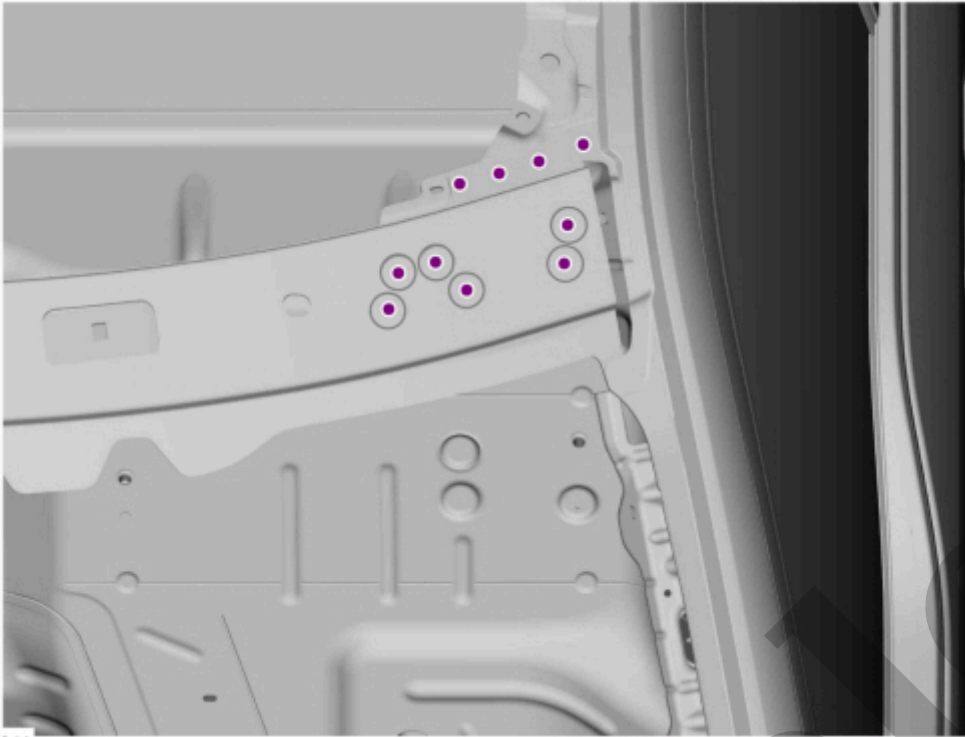
Refer to: [Roof Panel - SuperCrew, Vehicles With: Roof Opening Panel](#)(501-28 Roof Sheet Metal Repairs, Removal and Installation).

Regular Cab

3. Remove the center reinforcement SPR (self-piercing rivet) fasteners and position aside.

Use the General Equipment: Self-Piercing Rivet (SPR) Remover/Installer

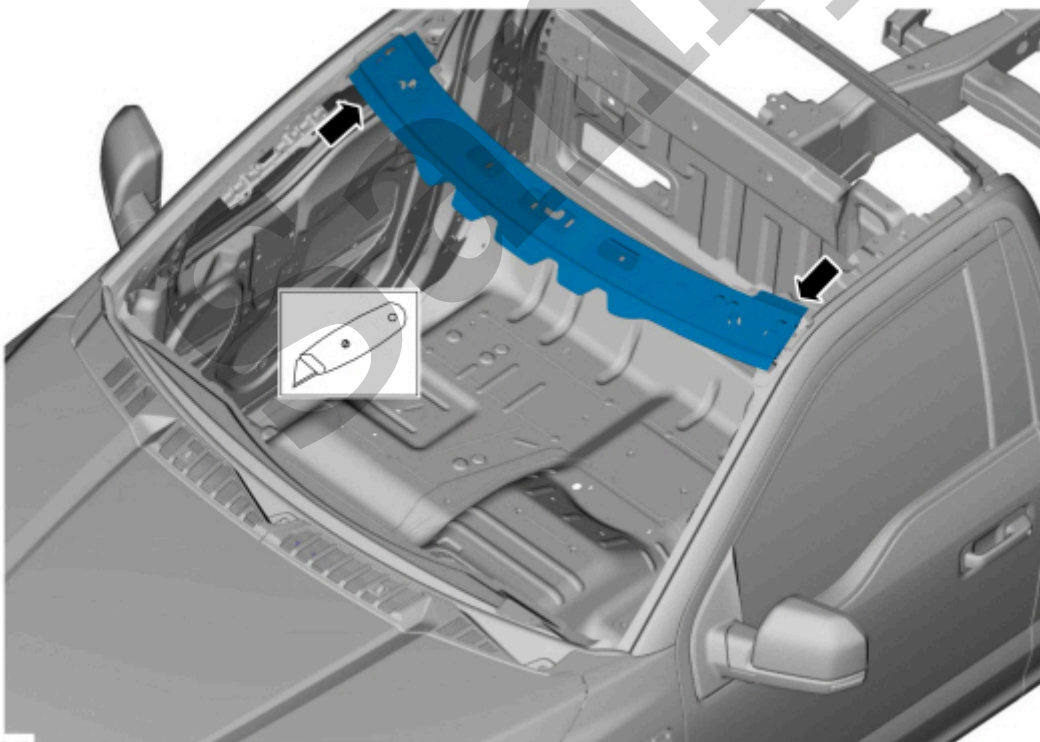
Use the General Equipment: Belt Sander



E191841

[Click here to learn about symbols, color coding, and icons used in this manual.](#)

5. Break the adhesive bond and remove the roof front frame.



E191842

[Click here to learn about symbols, color coding, and icons used in this manual.](#)

Installation