

# Your Ultimate Source for OEM Repair Manuals

FactoryManuals.net is a great resource for anyone who wants to save money on repairs by doing their own work. The manuals provide detailed instructions and diagrams that make it easy to understand how to fix a vehicle.

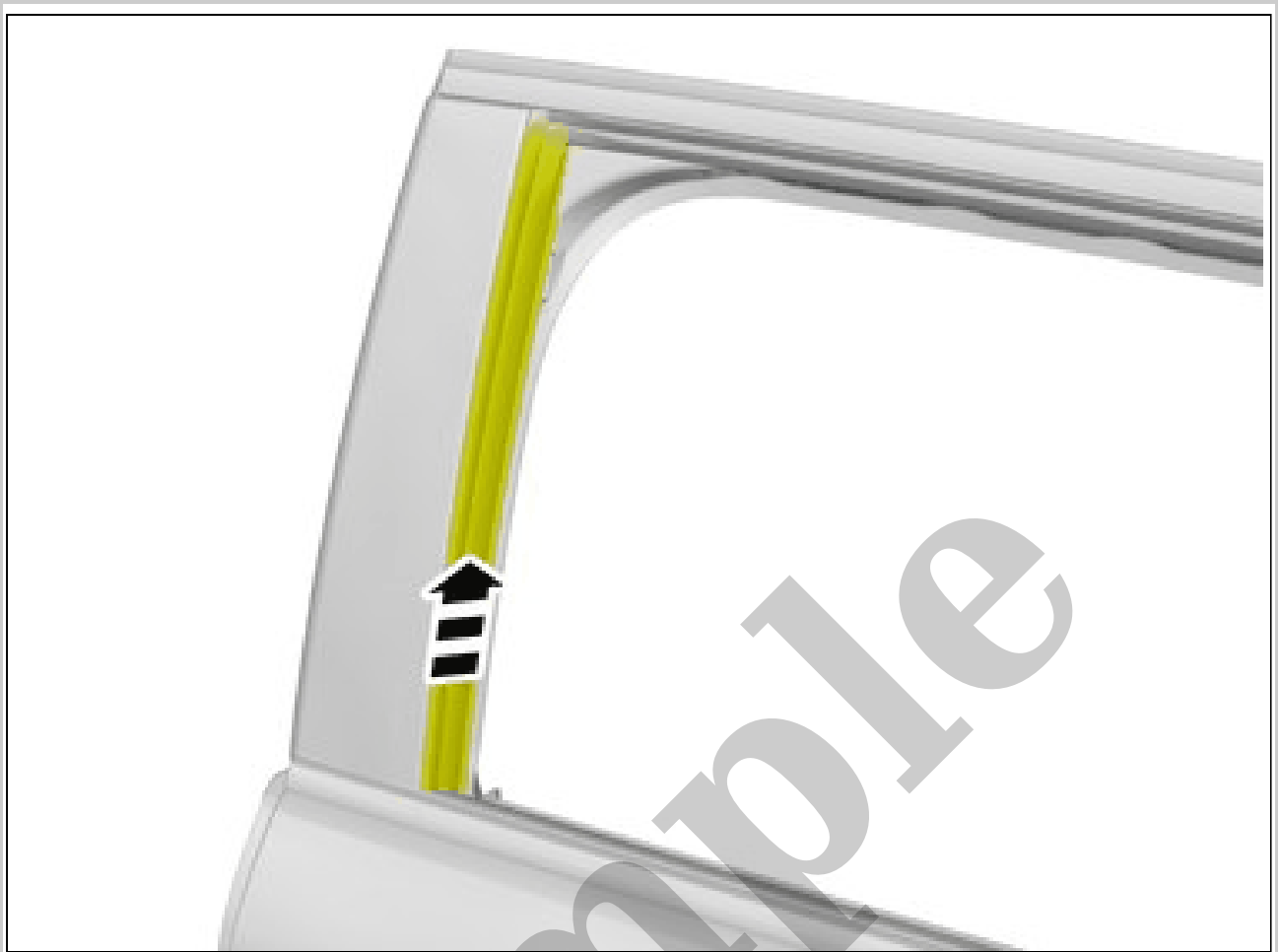
## 2001 VOLVO XC70/ V70XC OEM Service and Repair Workshop Manual

[Go to manual page](#)



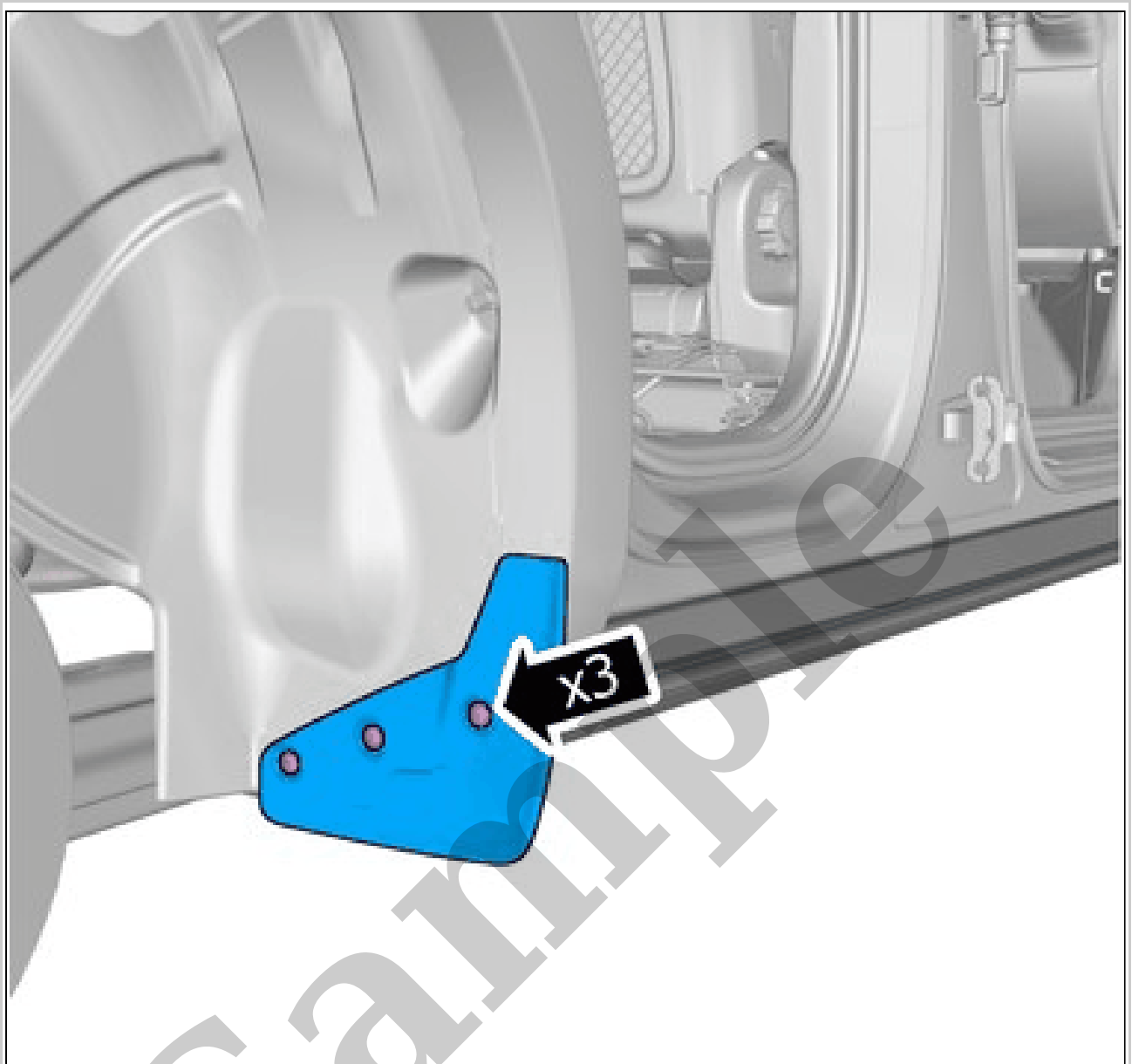
Courtesy of VOLVO CARS CORPORATION

Lift the marked component up



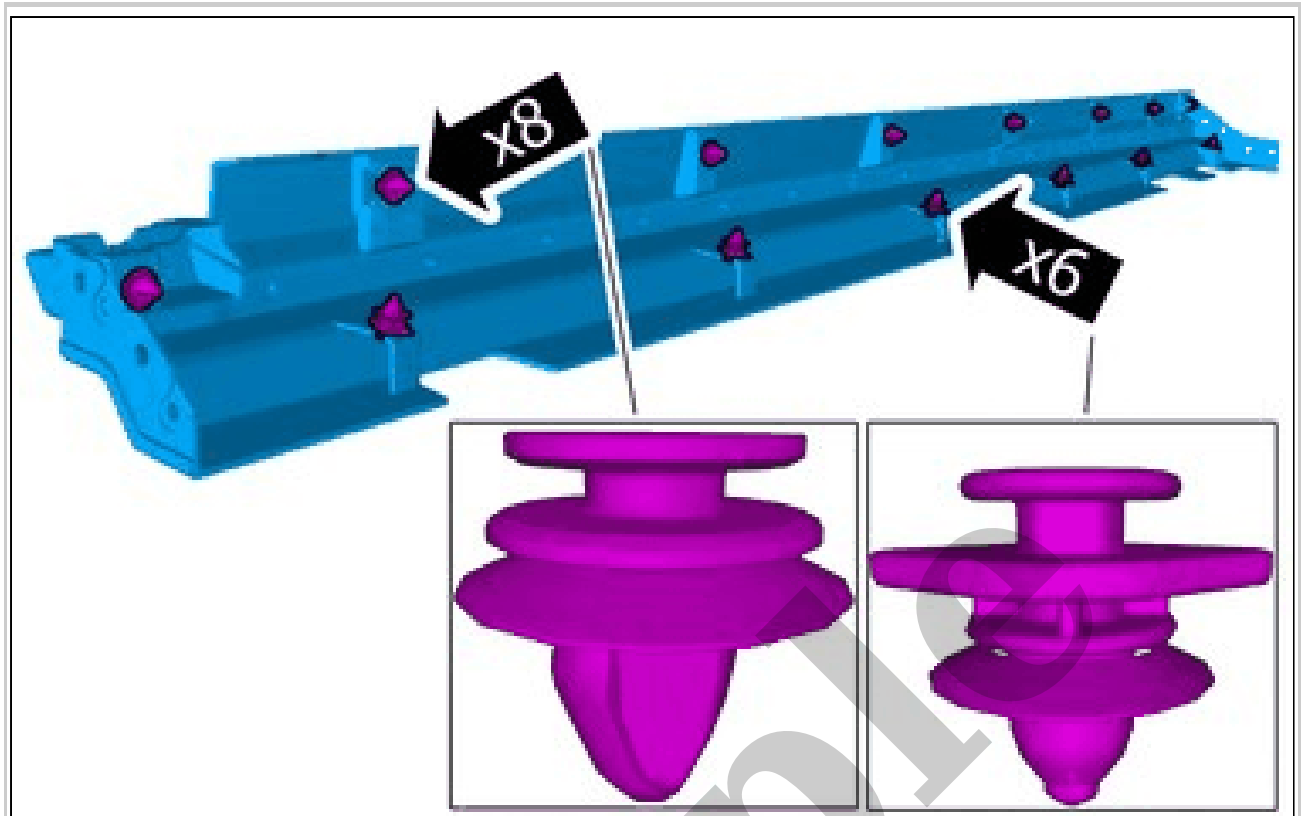
Courtesy of VOLVO CARS CORPORATION

Fold marked part aside.



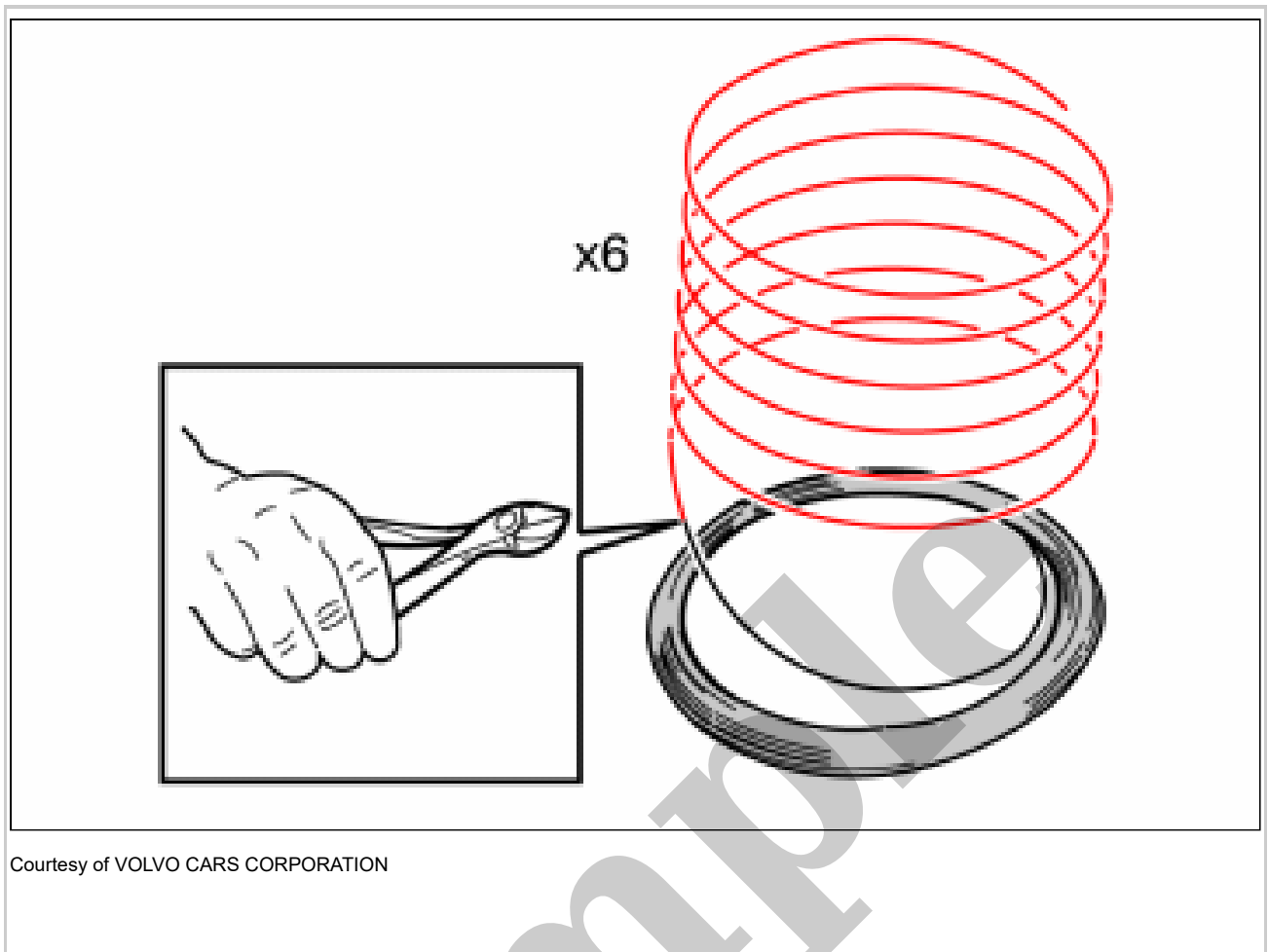
Courtesy of VOLVO CARS CORPORATION

Remove the screws.  
Remove the marked part.



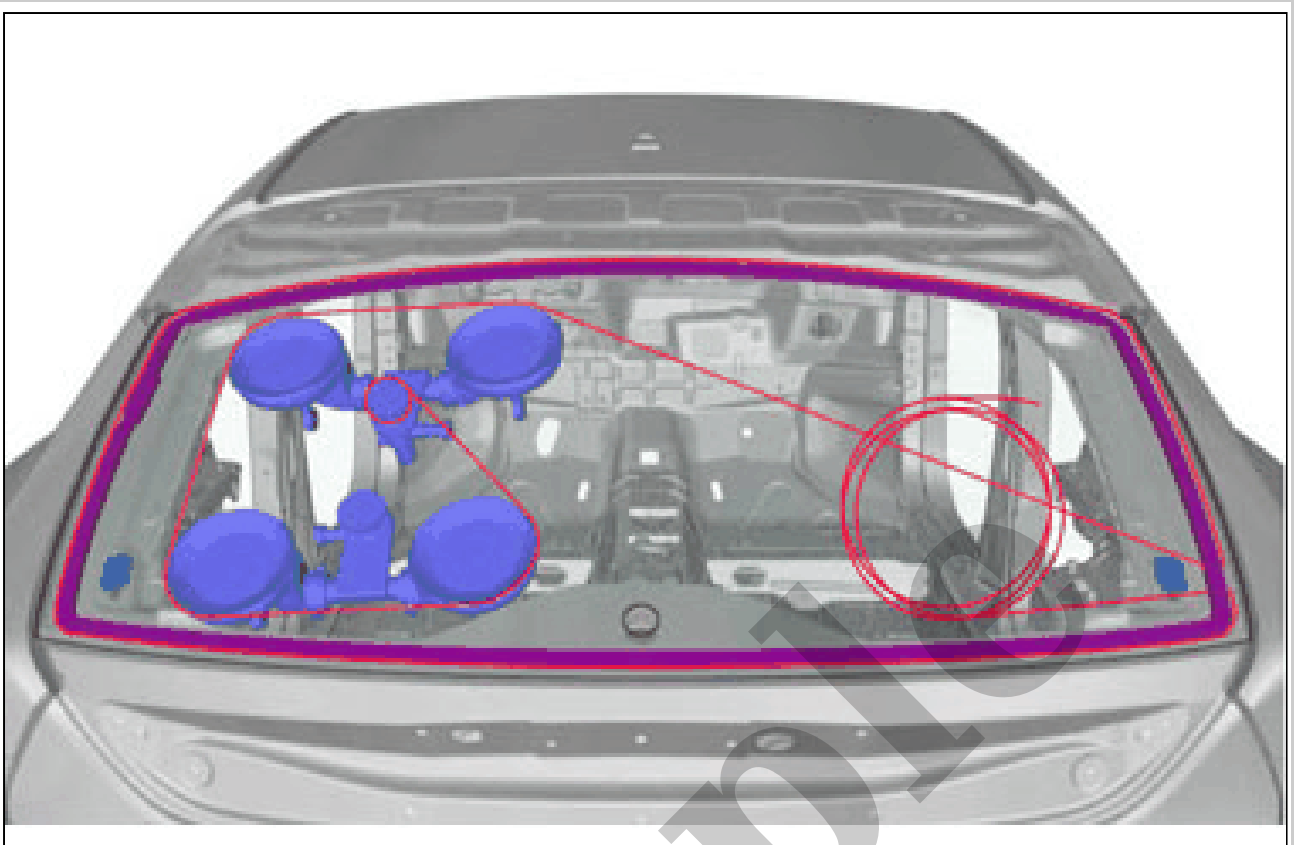
Courtesy of VOLVO CARS CORPORATION

The graphic shows the back of the component.

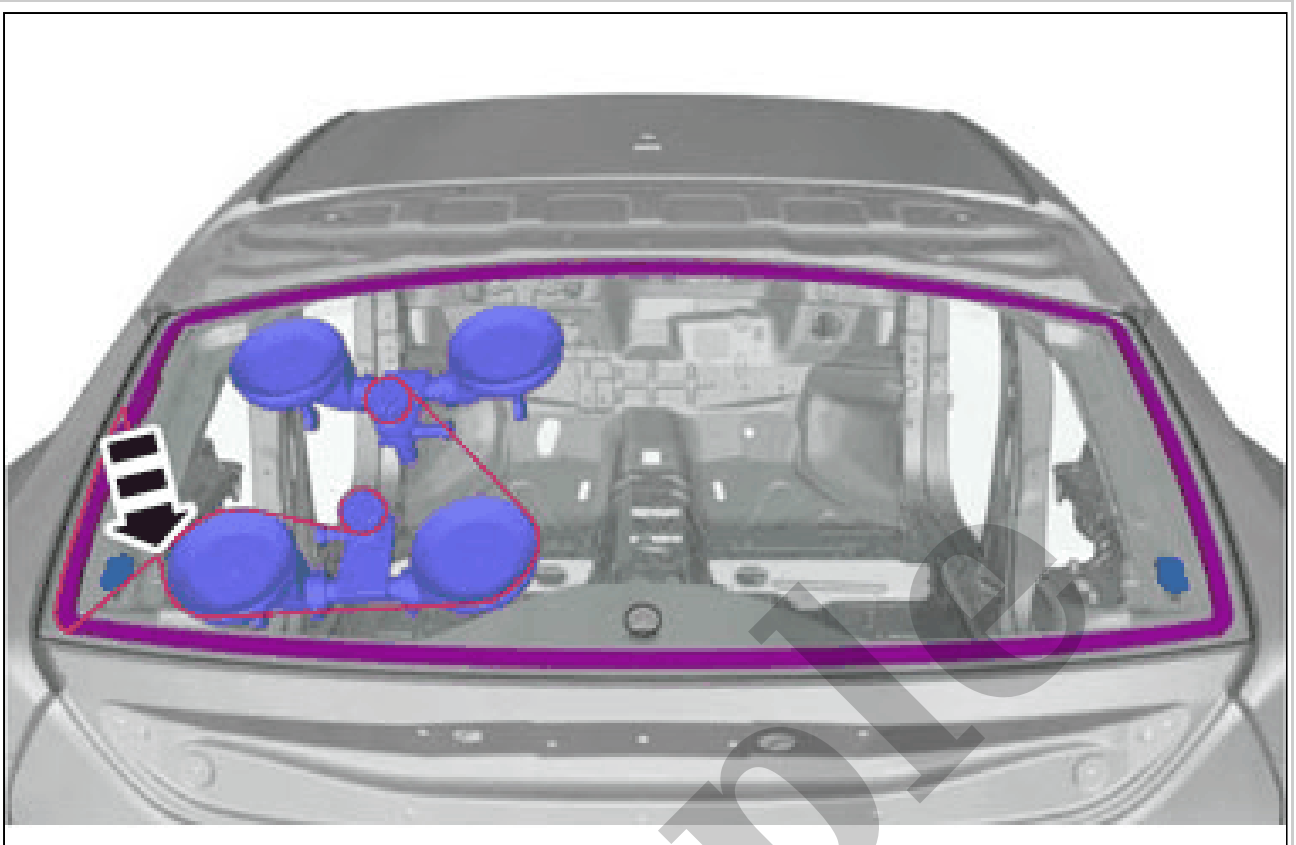


Courtesy of VOLVO CARS CORPORATION

Special Tool: 951 2925 Rollout 2000

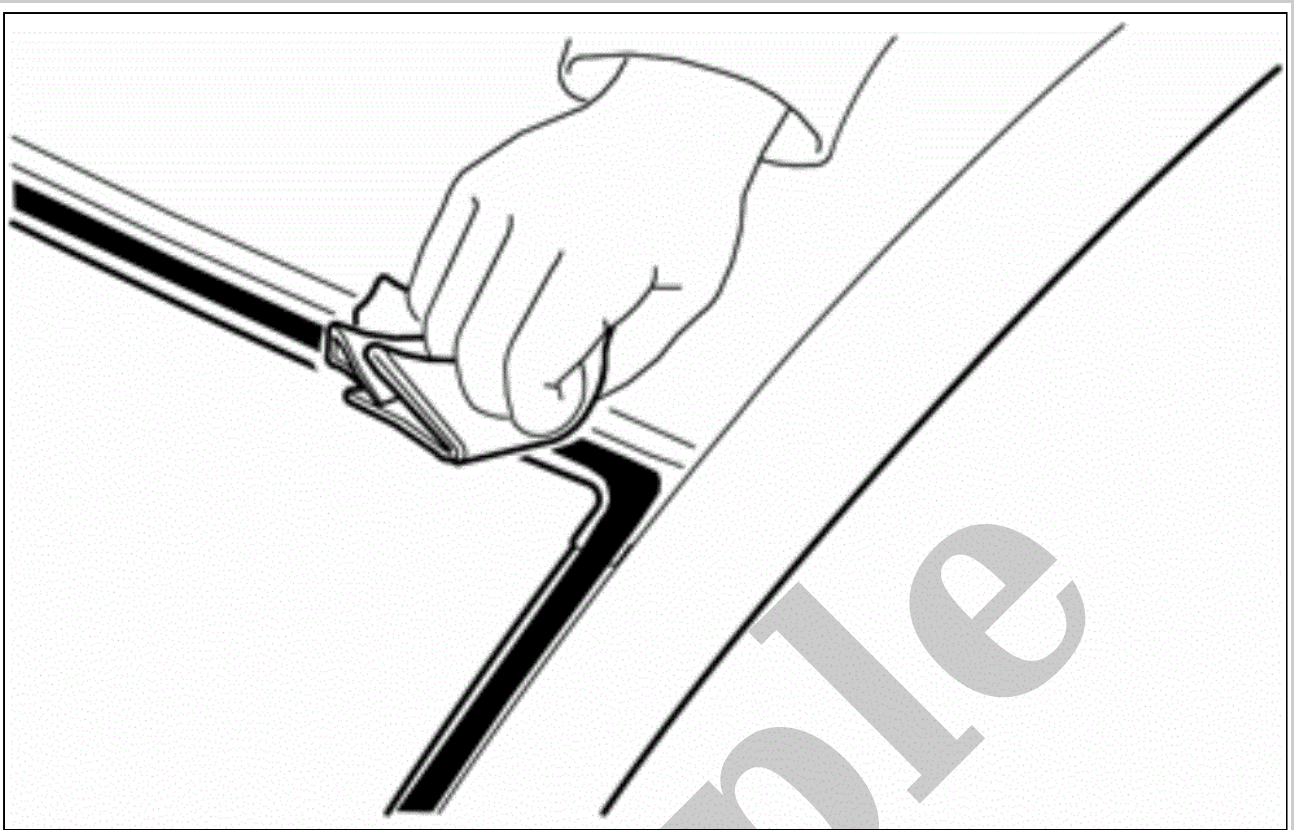


Courtesy of VOLVO CARS CORPORATION



Courtesy of VOLVO CARS CORPORATION



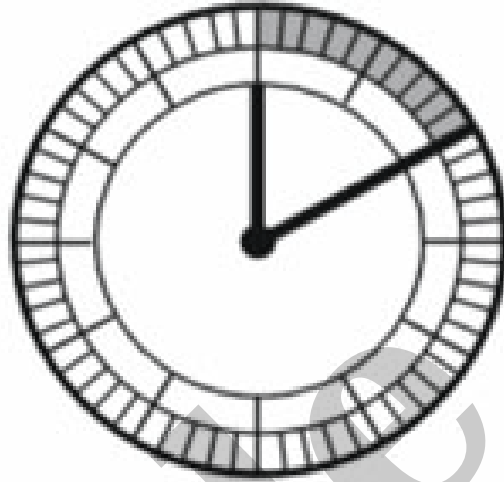
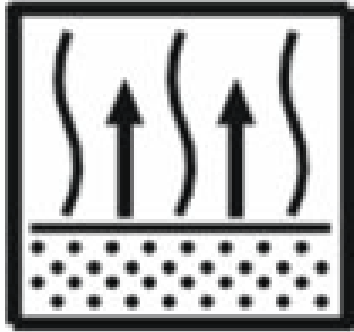


Courtesy of VOLVO CARS CORPORATION

**Use:** H Cleaner, 31375637

Sample

10min



Courtesy of VOLVO CARS CORPORATION

Sample