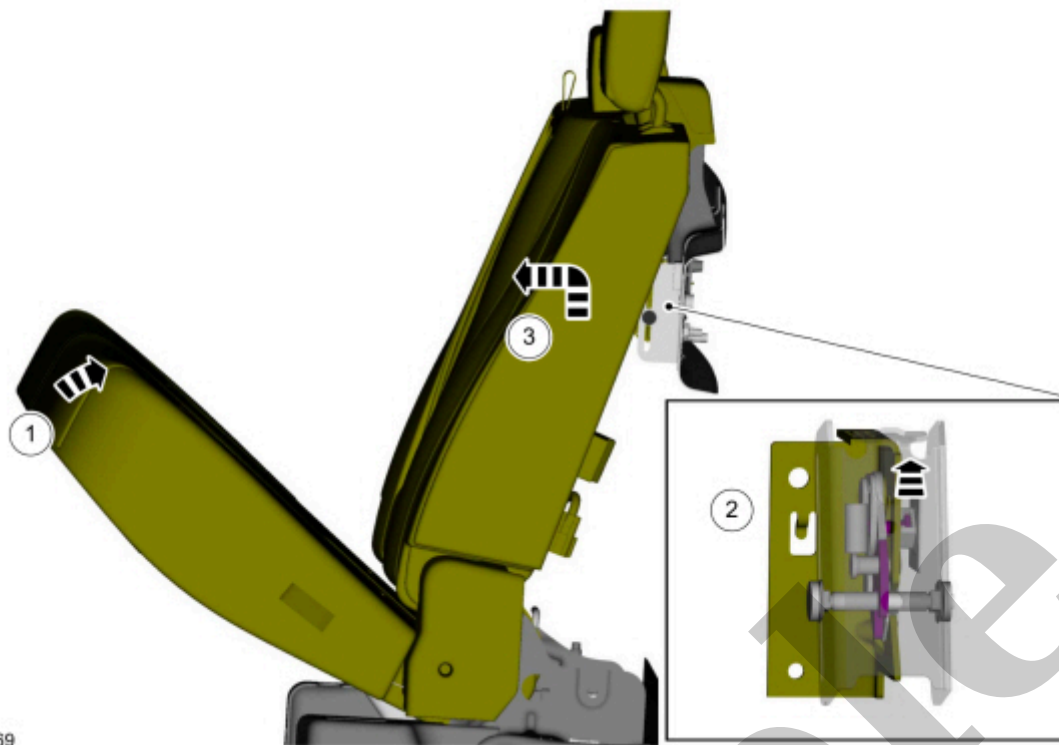


Your Ultimate Source for OEM Repair Manuals

FactoryManuals.net is a great resource for anyone who wants to save money on repairs by doing their own work. The manuals provide detailed instructions and diagrams that make it easy to understand how to fix a vehicle.

2001 FORD Ranger Regular Cab OEM Service and Repair Workshop Manual

[Go to manual page](#)



E319269

[Click here to learn about symbols, color coding, and icons used in this manual.](#)

2. Disconnect the electrical connectors and remove the heated rear seat module screw.



E191523

[Click here to learn about symbols, color coding, and icons used in this manual.](#)

3. Rotate and remove the heated rear seat module.

Heated Rear Seat Switch - SuperCrew

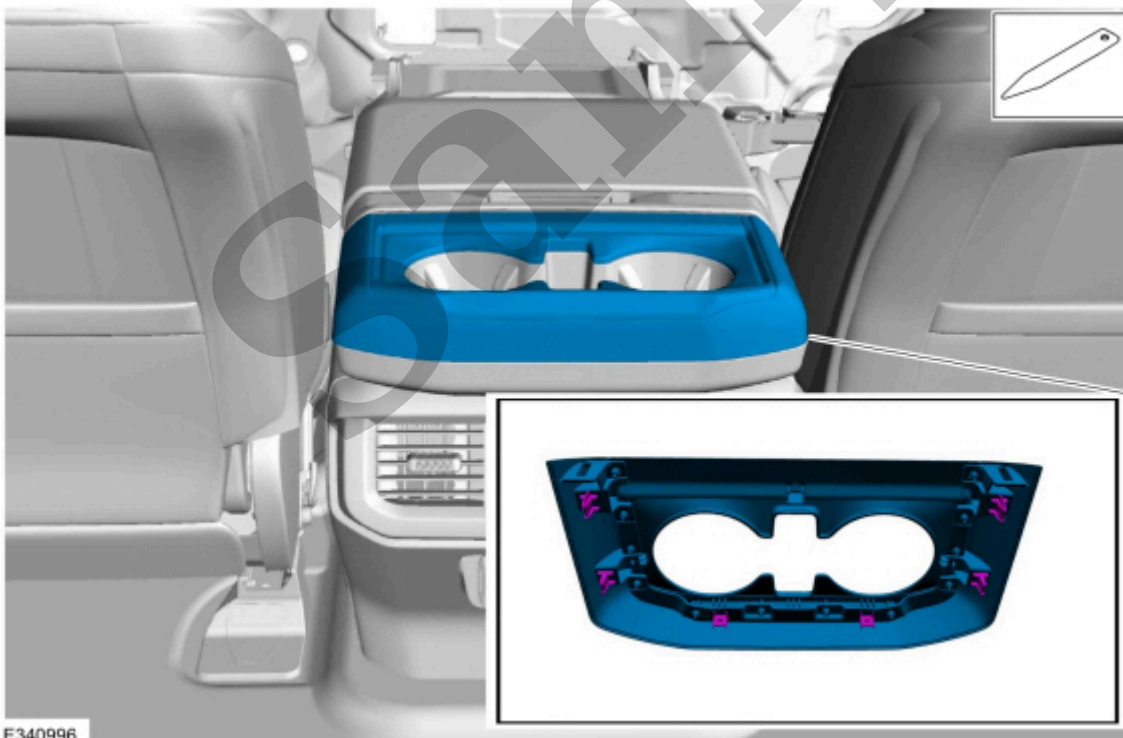
| | |
|---------------------------------|--|
| 501-10B Rear Seats | 2022 F-150 |
| Removal and Installation | Procedure revision date: 09/23/2020 |

Heated Rear Seat Switch - SuperCrew

Removal

1. Release the locking clips and remove the rear seat cup holder trim.

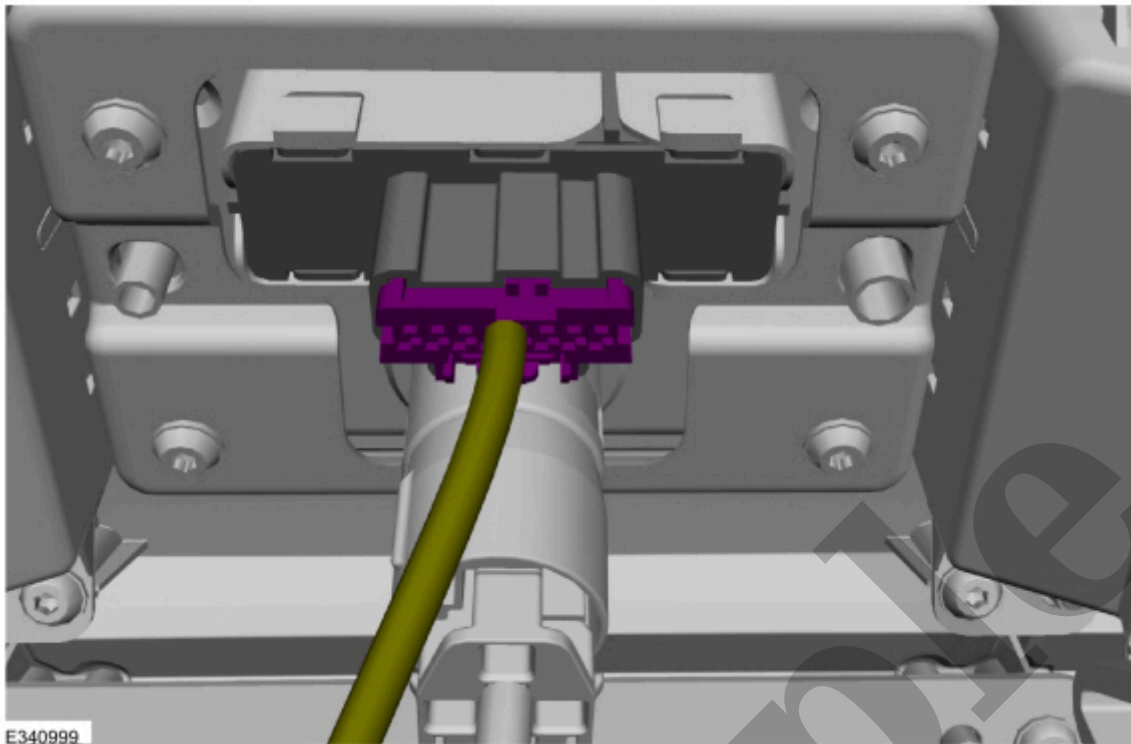
Use the General Equipment: Interior Trim Remover



[Click here to learn about symbols, color coding, and icons used in this manual.](#)

2. Remove the rear seat cup holder screws.

4. Disconnect the heated rear seat switch electrical connector.



[Click here to learn about symbols, color coding, and icons used in this manual.](#)

5. Remove the heated rear seat switch.

1. Release the heated rear seat switch tabs.
2. Slide the heated rear seat switch forward.



Rear Head Restraint Guide Sleeve

| | |
|---------------------------------|--|
| 501-10B Rear Seats | 2022 F-150 |
| Removal and Installation | Procedure revision date: 09/23/2020 |

Rear Head Restraint Guide Sleeve

Removal

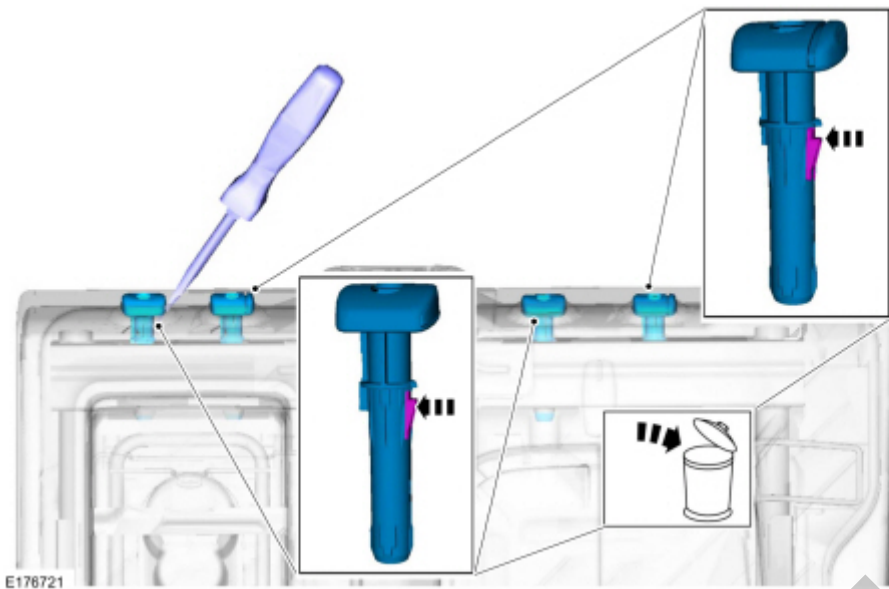
NOTE

LH (left-hand) seat shown, RH (right-hand) similar.

1. NOTE

Follow the unique instructions or graphics for this step in installation.

While pressing the primary and secondary rear head restraint release buttons, lift and remove rear head restraint(s).



[Click here to learn about symbols, color coding, and icons used in this manual.](#)

Installation

1. NOTICE

Always install new head restraint guide sleeves. Difficult adjustment of the head restraint may occur. Failure to follow these instructions may result in component failure.

NOTICE

The head restraint guide sleeves are not interchangeable. Failure to install the correct head restraint guide sleeve at the correct position may result in component failure.

Allow the head restraint guide sleeve to slide freely through the backrest foam and backrest trim cover, twist the head restraint guide sleeve while pushing it into the backrest frame hole as far as it will go, using hand pressure. By hand, press the head restraint guide sleeve downward into the backrest frame hole.

Sample

Torque : 18 lb.ft (25 Nm)

2. Lift and rotate the armrest to release the guide pins from both sides of the armrest.



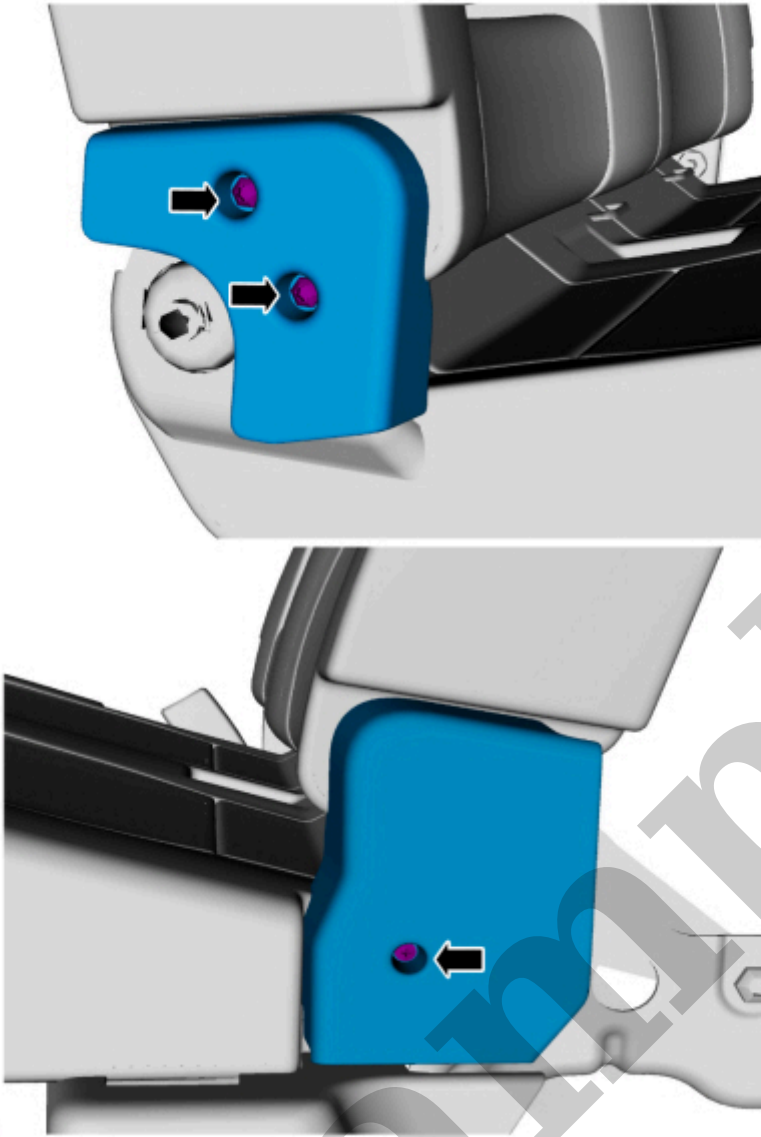
E190108

[Click here to learn about symbols, color coding, and icons used in this manual.](#)

Installation

1. To install, reverse the removal procedure.

Copyright © Ford Motor Company



E191687

[Click here to learn about symbols, color coding, and icons used in this manual.](#)

3. Remove the rear seat inboard and outboard pivot fasteners. Remove the rear seat backrest.

Torque : 18 lb.ft (25 Nm)

Rear Seat Backrest - SuperCrew

| | |
|---------------------------------|--|
| 501-10B Rear Seats | 2022 F-150 |
| Removal and Installation | Procedure revision date: 09/23/2020 |

Rear Seat Backrest - SuperCrew

Removal

WARNING

The following procedure describes critical repair steps required for correct seat component installation. Follow all notes and steps carefully. Do not place any objects between the seat components and the body of the vehicle, nor any objects within a joint internal to the seat structure. Failure to follow step instructions may result in incorrect operation of the seat components and increases the risk of serious personal injury.

NOTE

LH (left-hand) shown, RH (right-hand) similar.

NOTE

Removal steps in this procedure may contain installation details.

1. Remove the seat.

Refer to: [Rear Seat LH - SuperCrew](#)(501-10B Rear Seats, Removal and Installation).

Refer to: [Rear Seat RH - SuperCrew](#)(501-10B Rear Seats, Removal and Installation).

2. Remove the rear seat side shield(s).