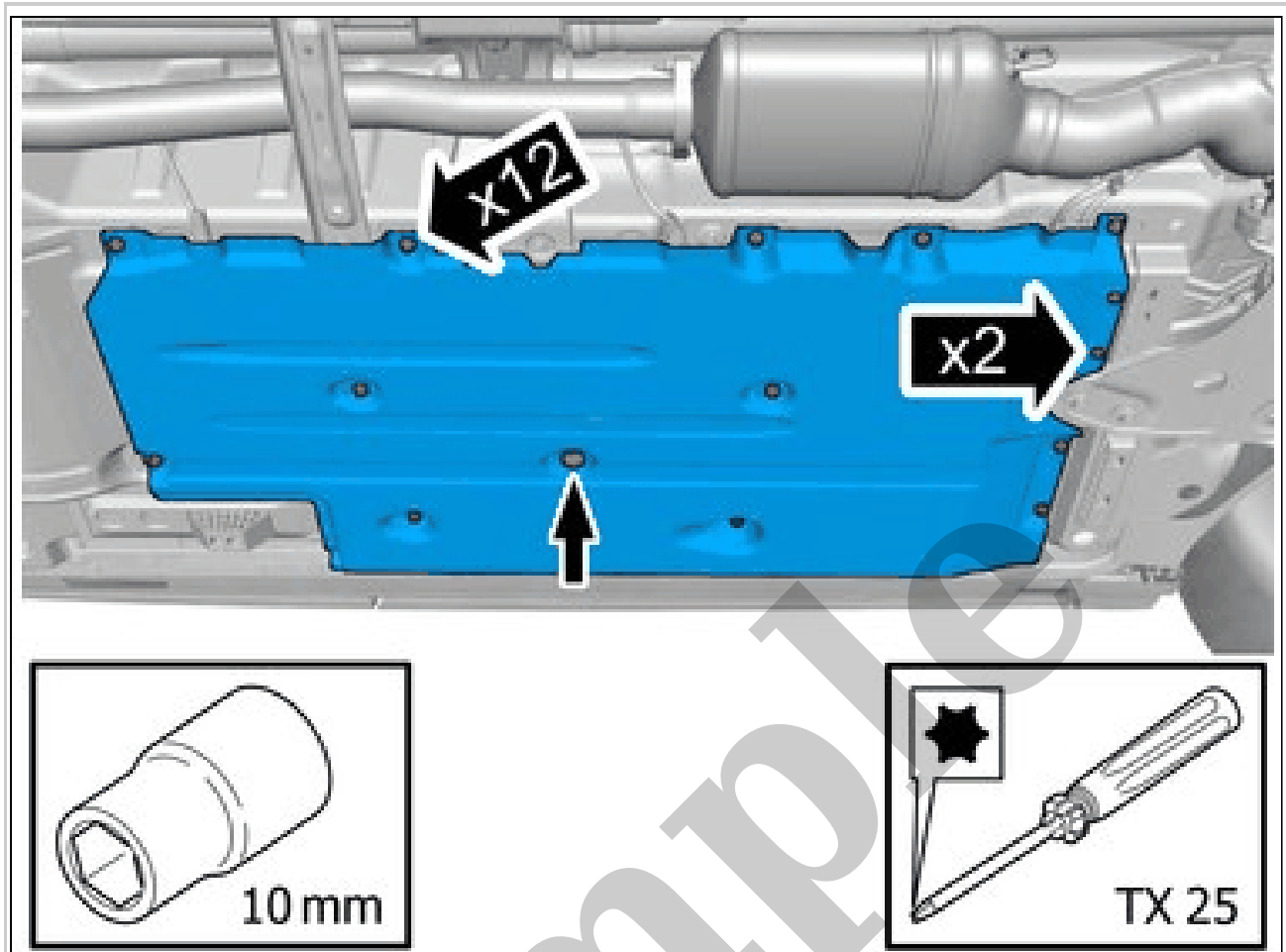


# Your Ultimate Source for OEM Repair Manuals

FactoryManuals.net is a great resource for anyone who wants to save money on repairs by doing their own work. The manuals provide detailed instructions and diagrams that make it easy to understand how to fix a vehicle.

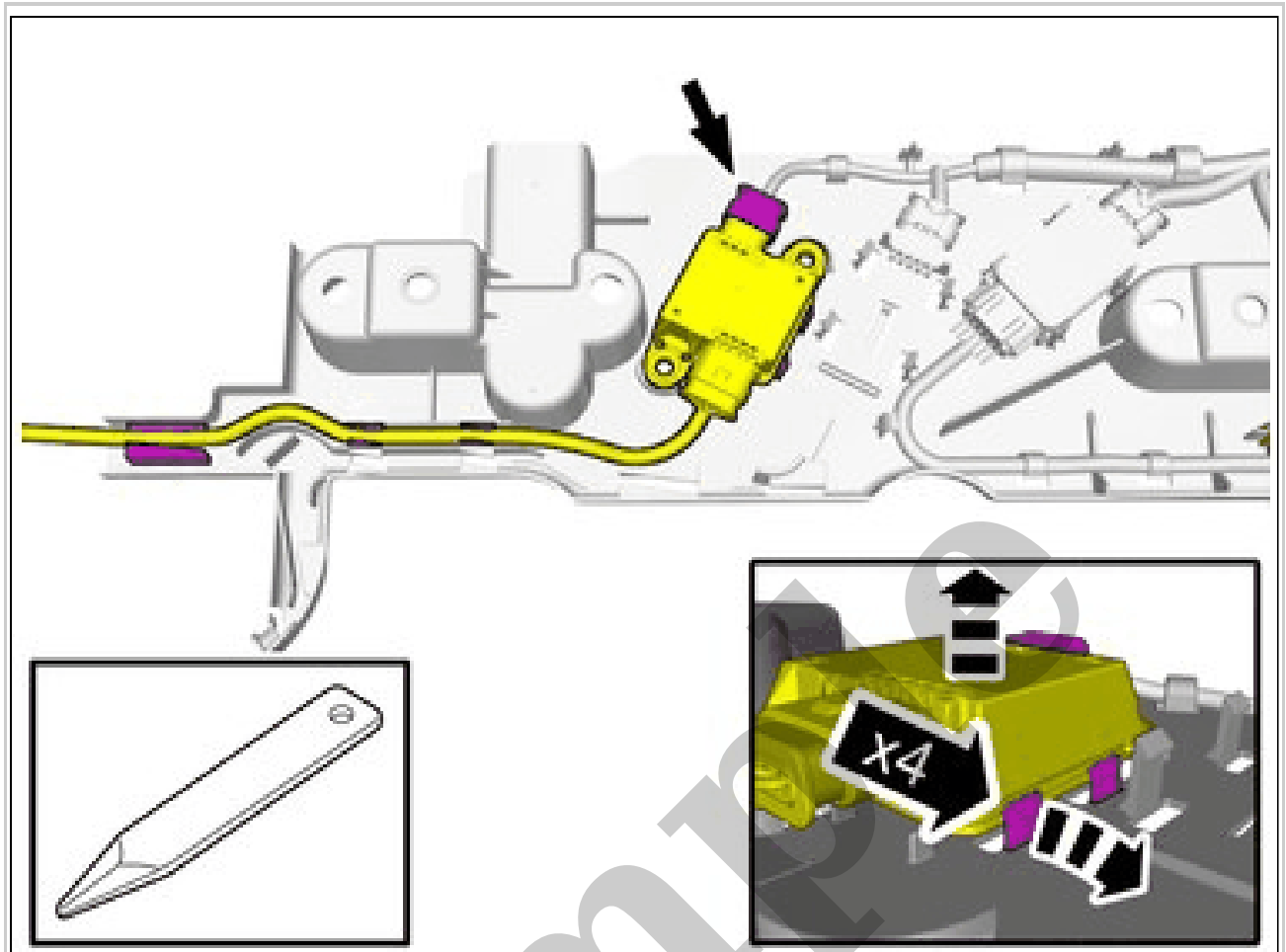
## 2000 VOLVO XC70/ V70XC OEM Service and Repair Workshop Manual

[Go to manual page](#)



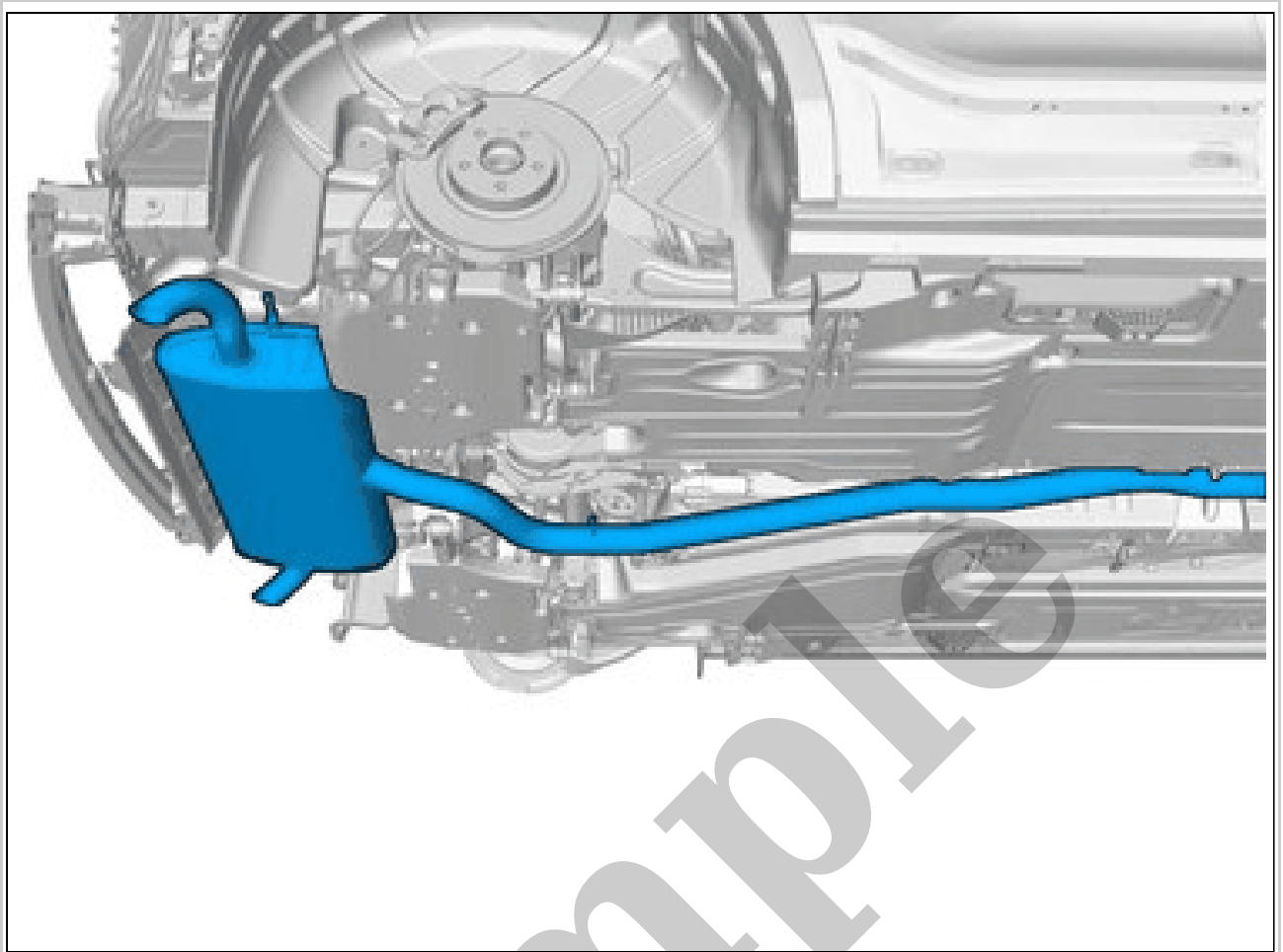
Courtesy of VOLVO CARS CORPORATION

- Remove the screws.
- Remove the nuts.
- Remove the clip.
- Remove the marked part.



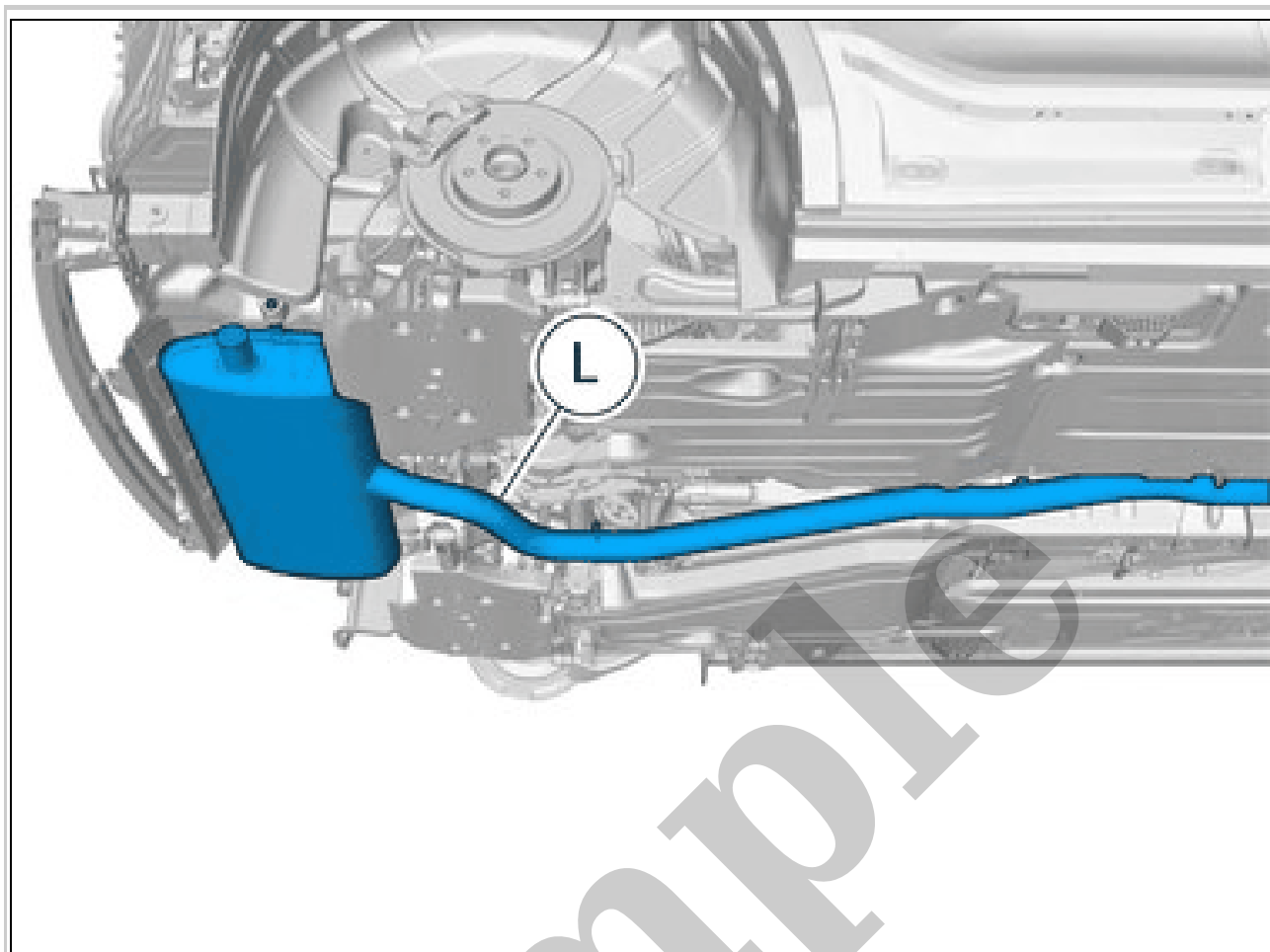
Courtesy of VOLVO CARS CORPORATION

Disconnect the connector.  
Remove the cable harness clips.  
Fold marked part aside.



Courtesy of VOLVO CARS CORPORATION

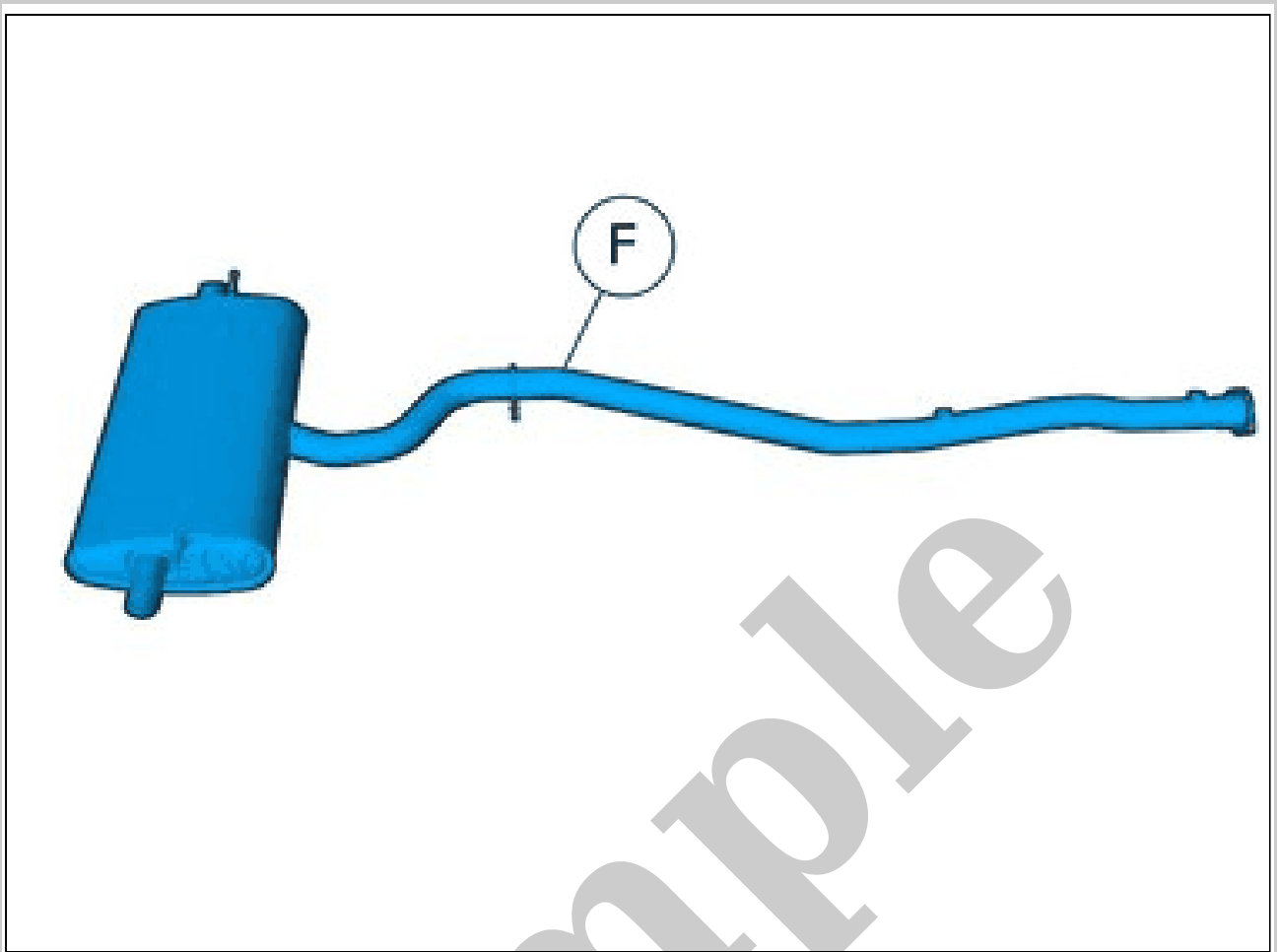
Remove the marked part.



Courtesy of VOLVO CARS CORPORATION

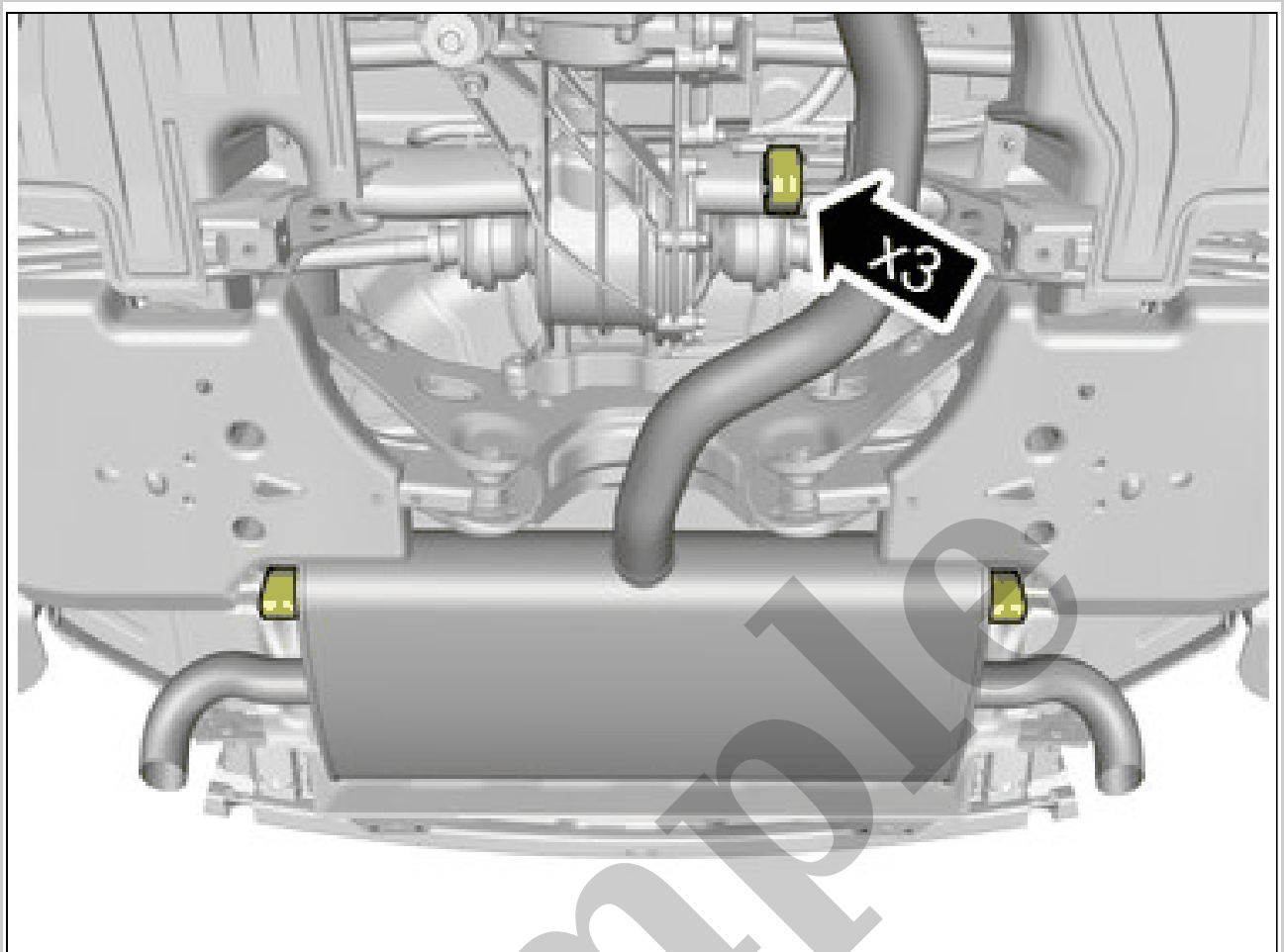
**NOTE:** *This step is easier with two people.*

Install component that comes with the accessory kit.



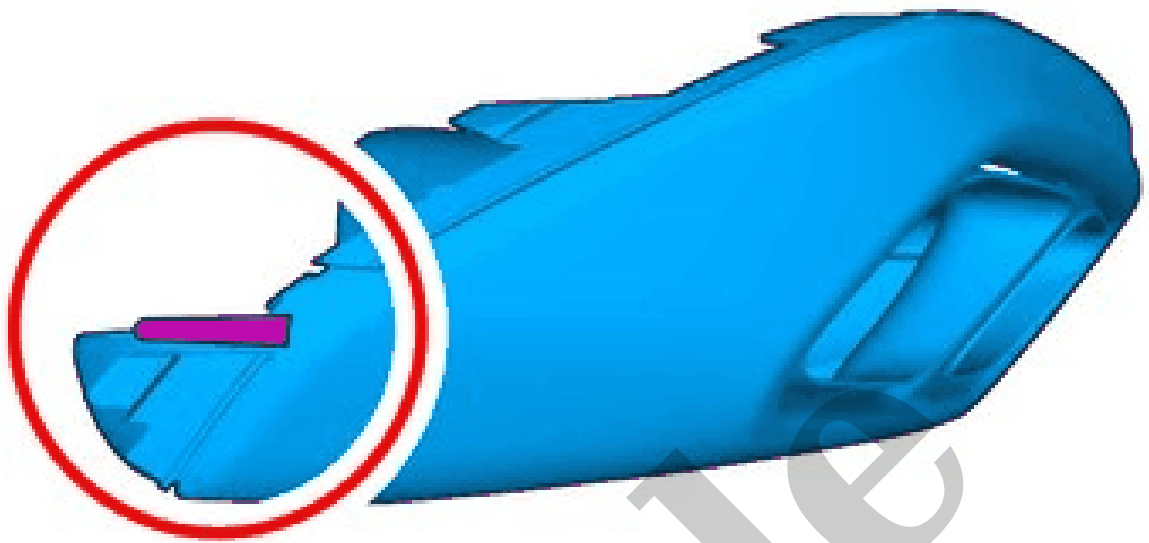
Courtesy of VOLVO CARS CORPORATION

Use detail according to image.



Courtesy of VOLVO CARS CORPORATION

Install the marked components.

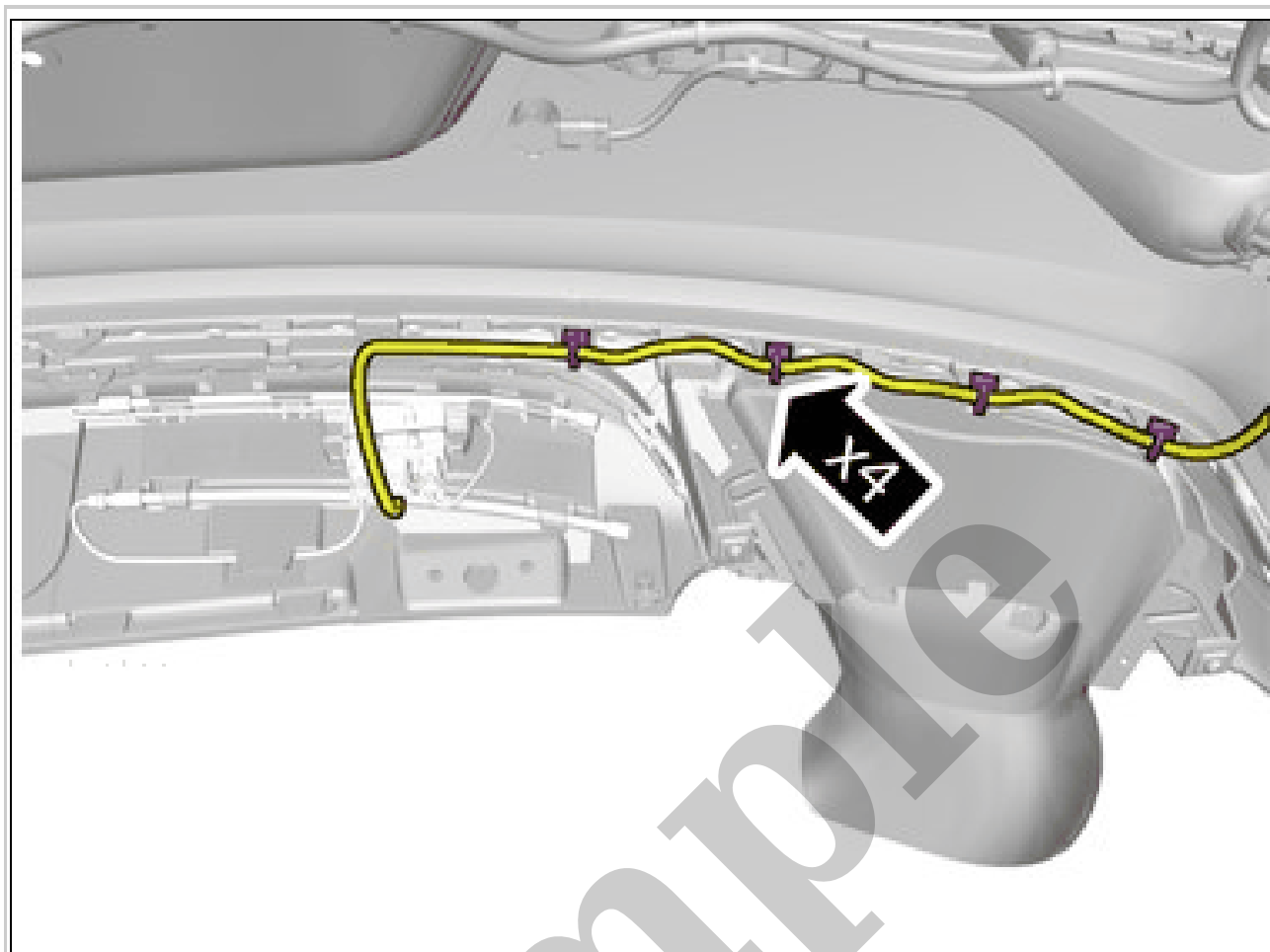


Courtesy of VOLVO CARS CORPORATION

**CAUTION:** *Be extra careful when removing or installing this component.*

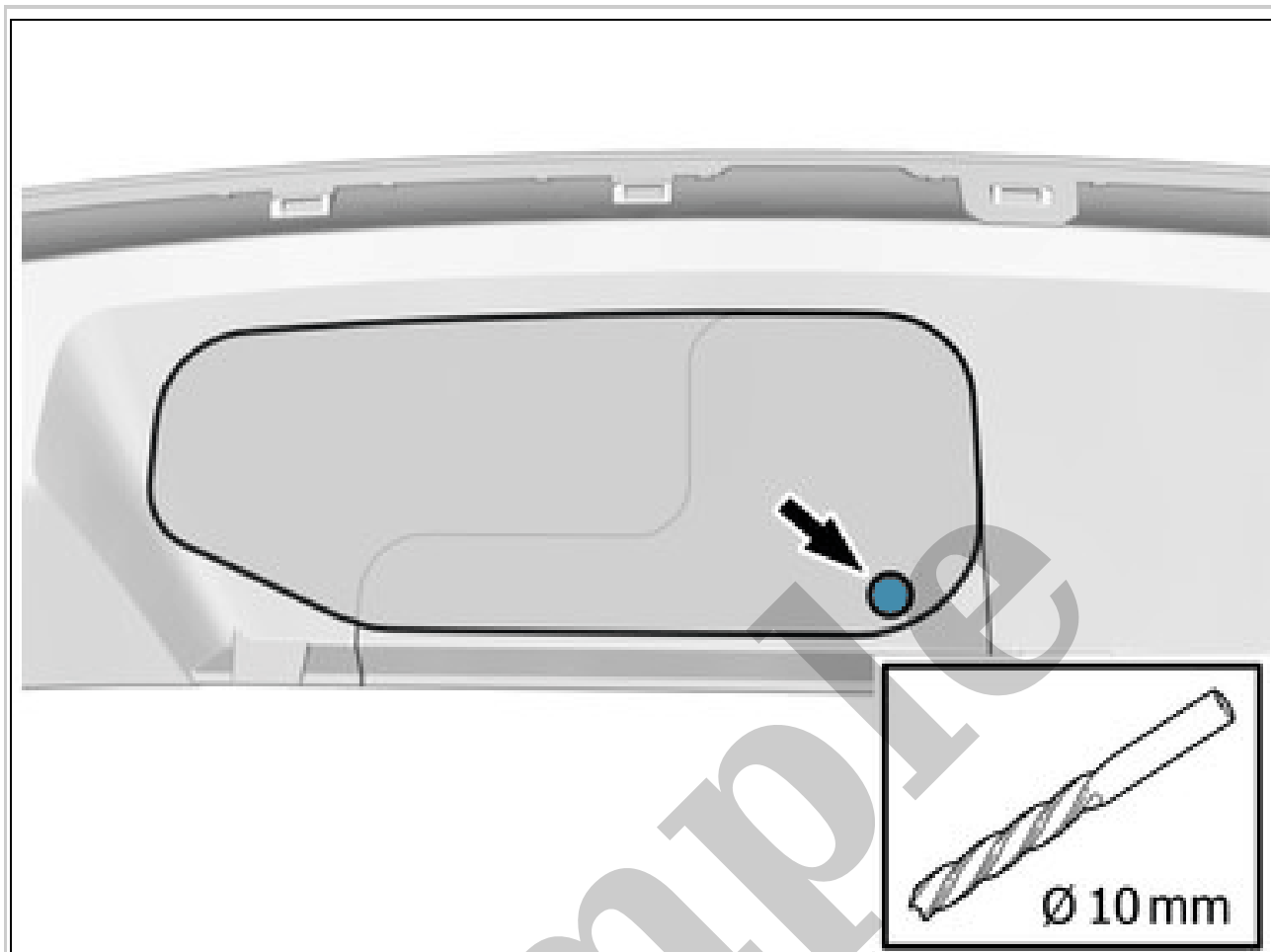
**CAUTION:** *Make sure not to damage painted surfaces.*





Courtesy of VOLVO CARS CORPORATION

Fasten the wiring harness using the existing clips.



Courtesy of VOLVO CARS CORPORATION

Make a hole, using the tool indicated.