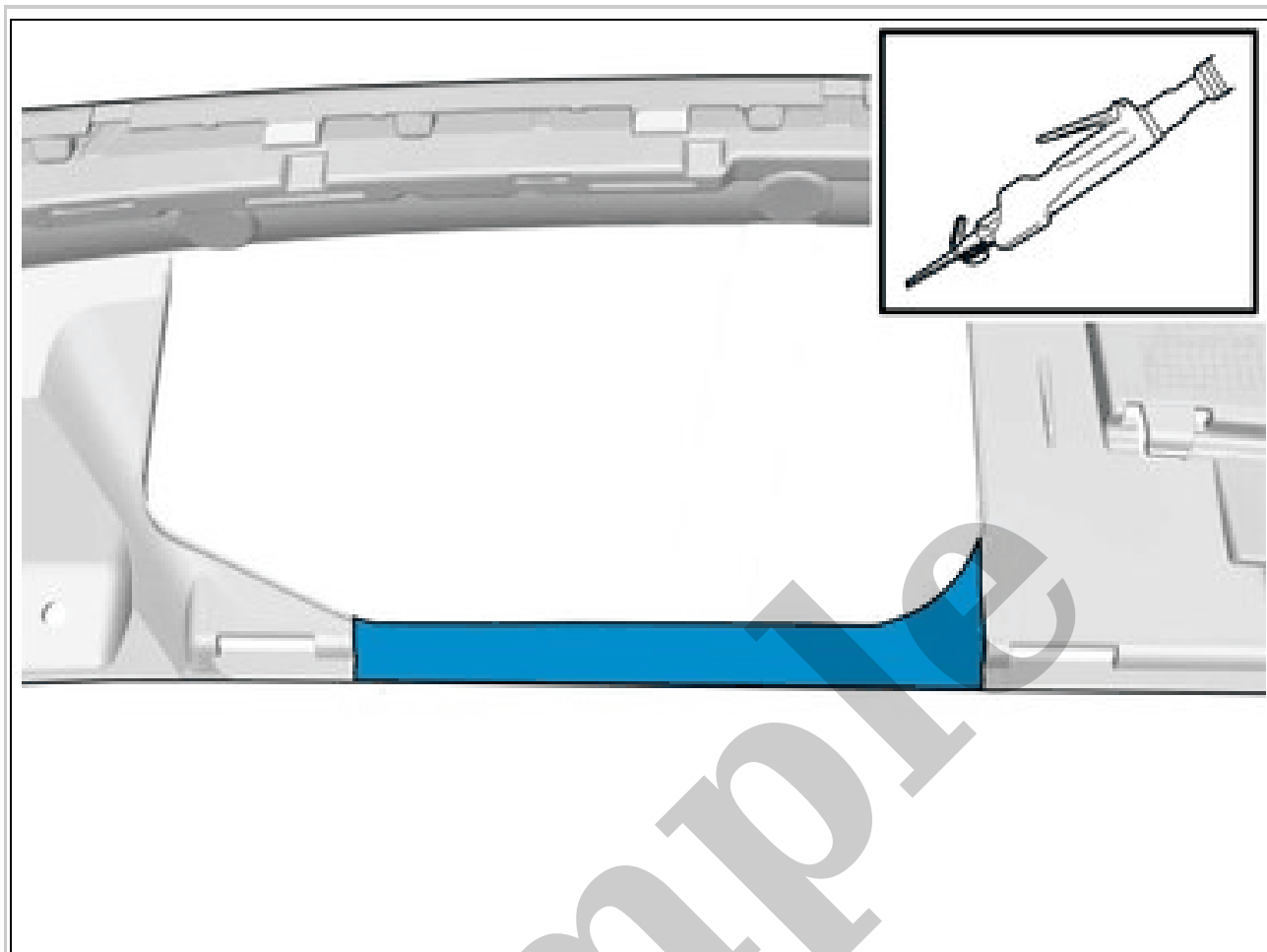


Your Ultimate Source for OEM Repair Manuals

FactoryManuals.net is a great resource for anyone who wants to save money on repairs by doing their own work. The manuals provide detailed instructions and diagrams that make it easy to understand how to fix a vehicle.

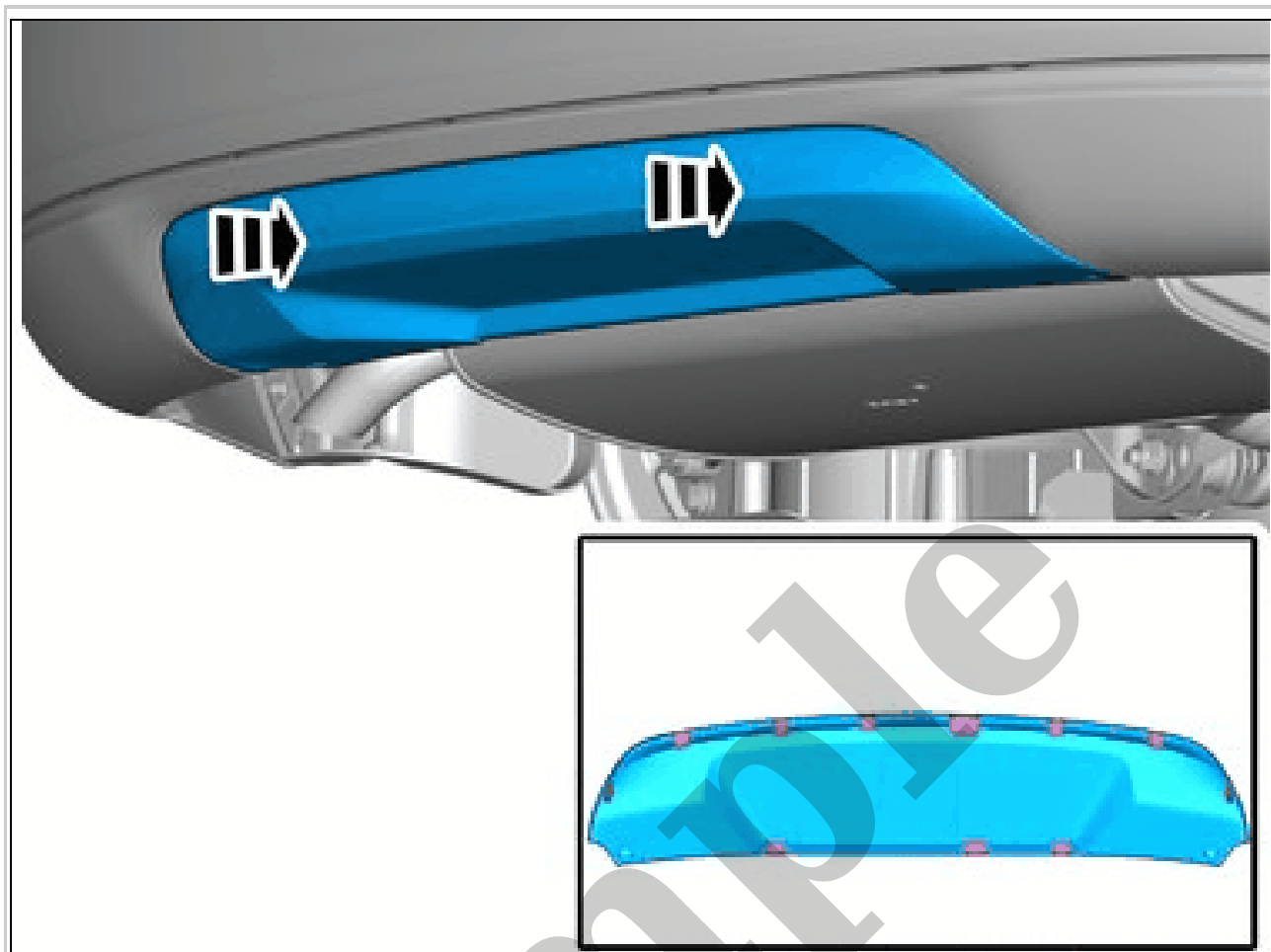
2000 VOLVO V40 OEM Service and Repair Workshop Manual

[Go to manual page](#)



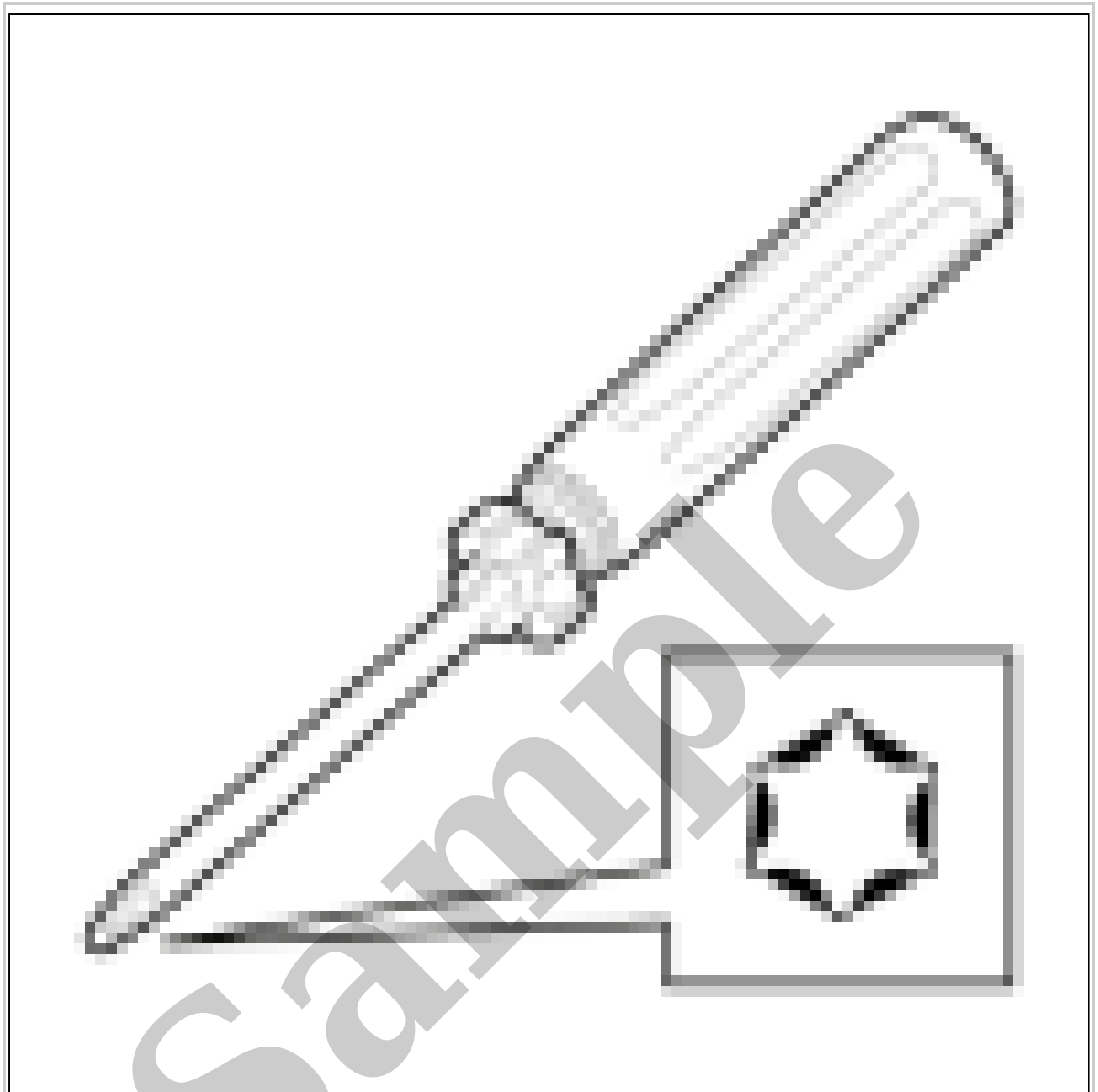
Courtesy of VOLVO CARS CORPORATION

Remove the marked part.
Use: Air-powered air saw



Courtesy of VOLVO CARS CORPORATION

Install component that comes with the accessory kit.
Ensure that all clips engage.



Courtesy of VOLVO CARS CORPORATION



Courtesy of VOLVO CARS CORPORATION

SPECIAL TOOLS

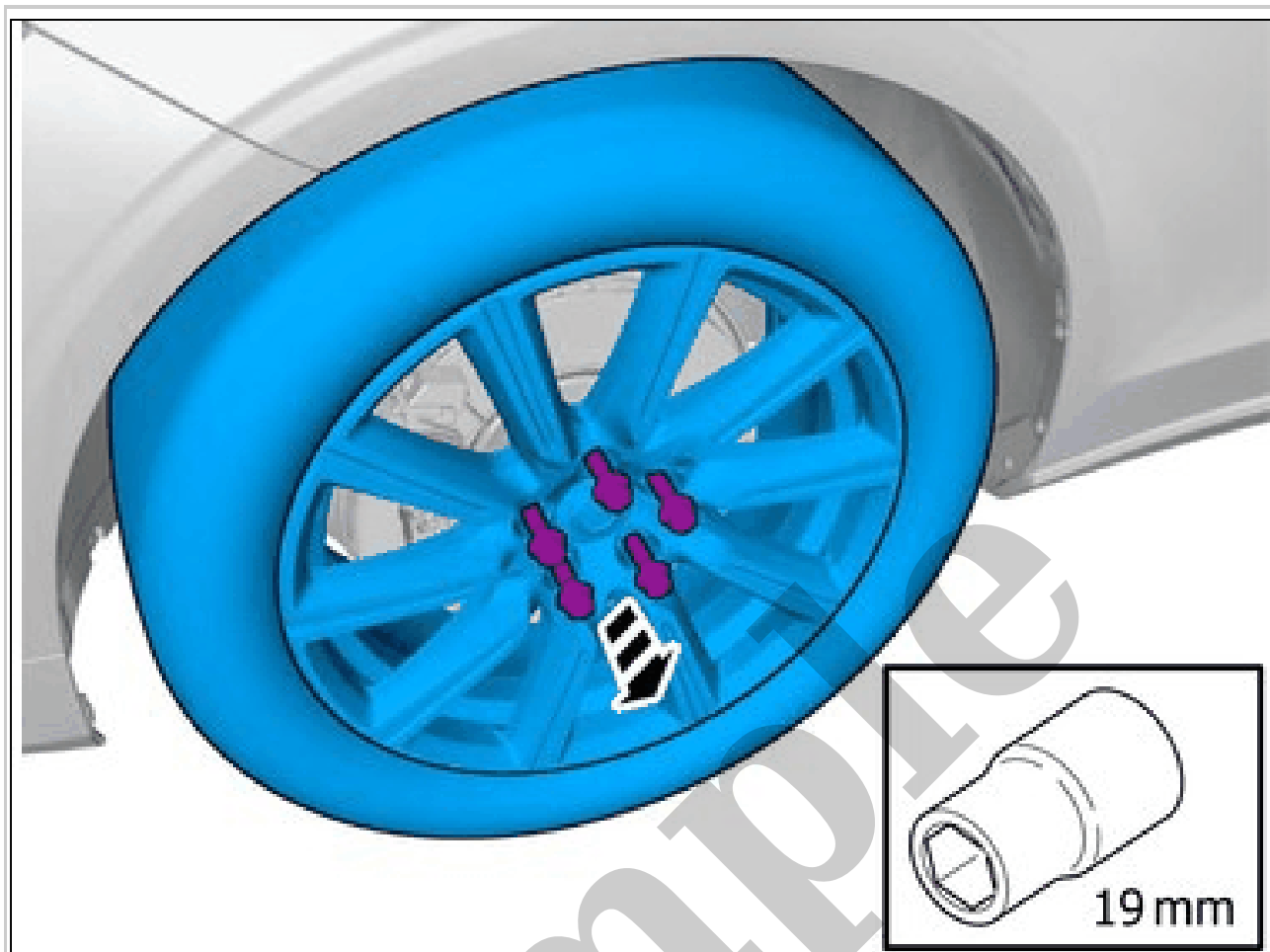


Courtesy of VOLVO CARS CORPORATION

Download the appropriate software (application) for the accessory's function according to the service information in VIDA.

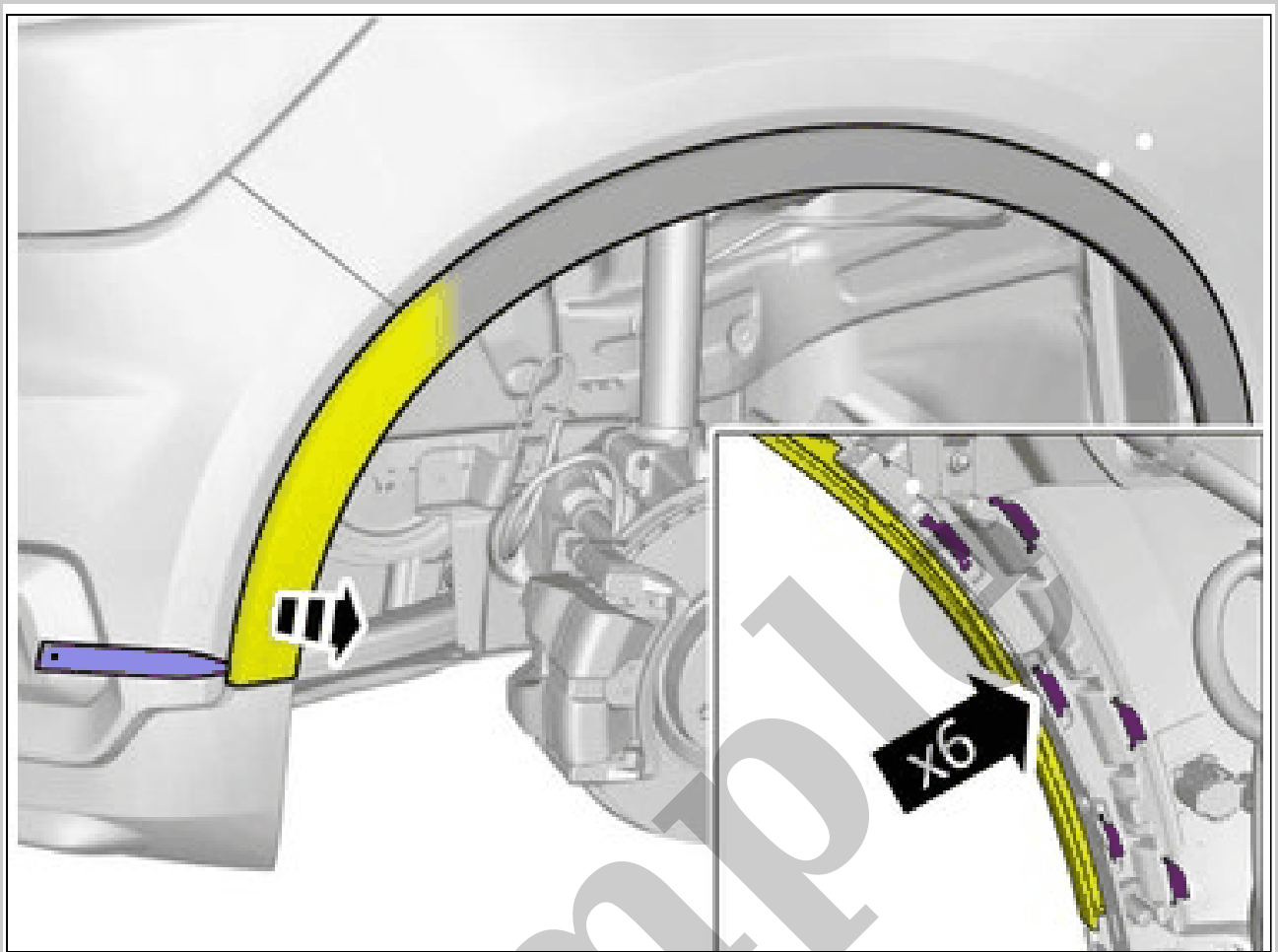
Order and download the appropriate software

REMOVAL



Courtesy of VOLVO CARS CORPORATION

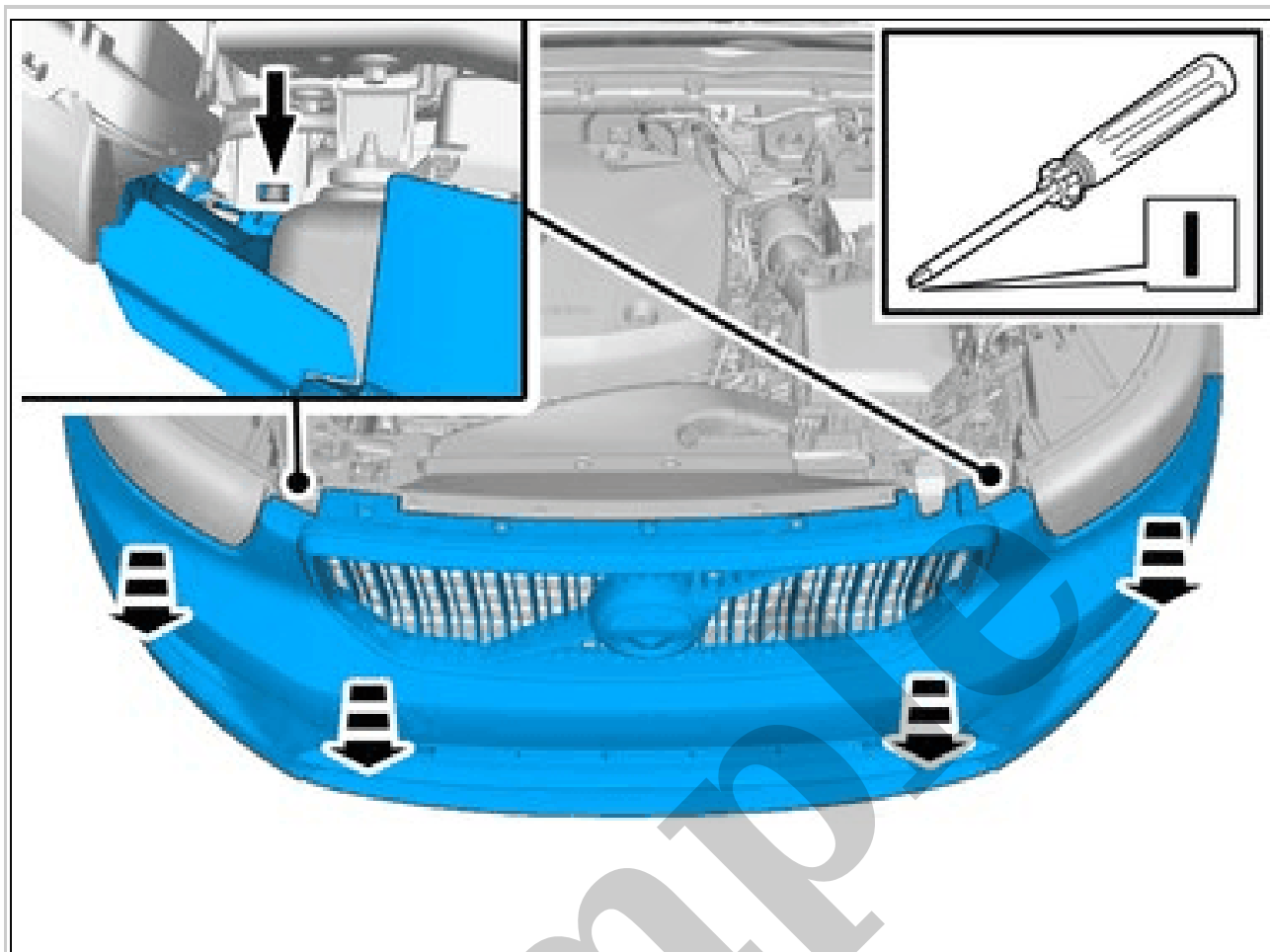
Remove the marked detail/details.



Courtesy of VOLVO CARS CORPORATION

CAUTION: Make sure not to damage painted surfaces.

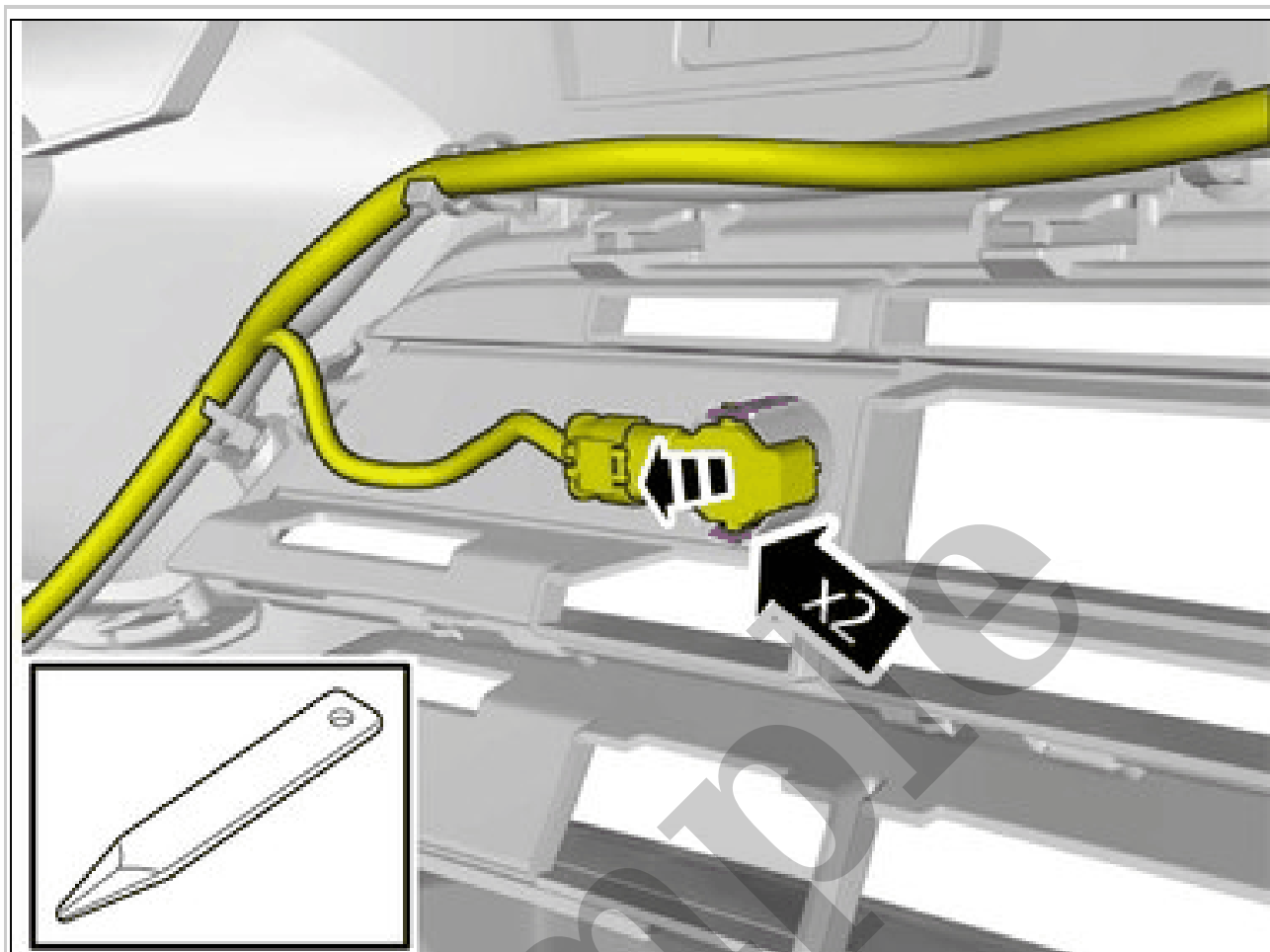
Loosen the component indicated. Do not remove it.



Courtesy of VOLVO CARS CORPORATION

CAUTION: *Place the Bumper Cover on a suitable surface.*

Request the aid of a colleague for this procedure.
Remove the marked part.



Courtesy of VOLVO CARS CORPORATION

Release the catches.
Fold marked part aside.