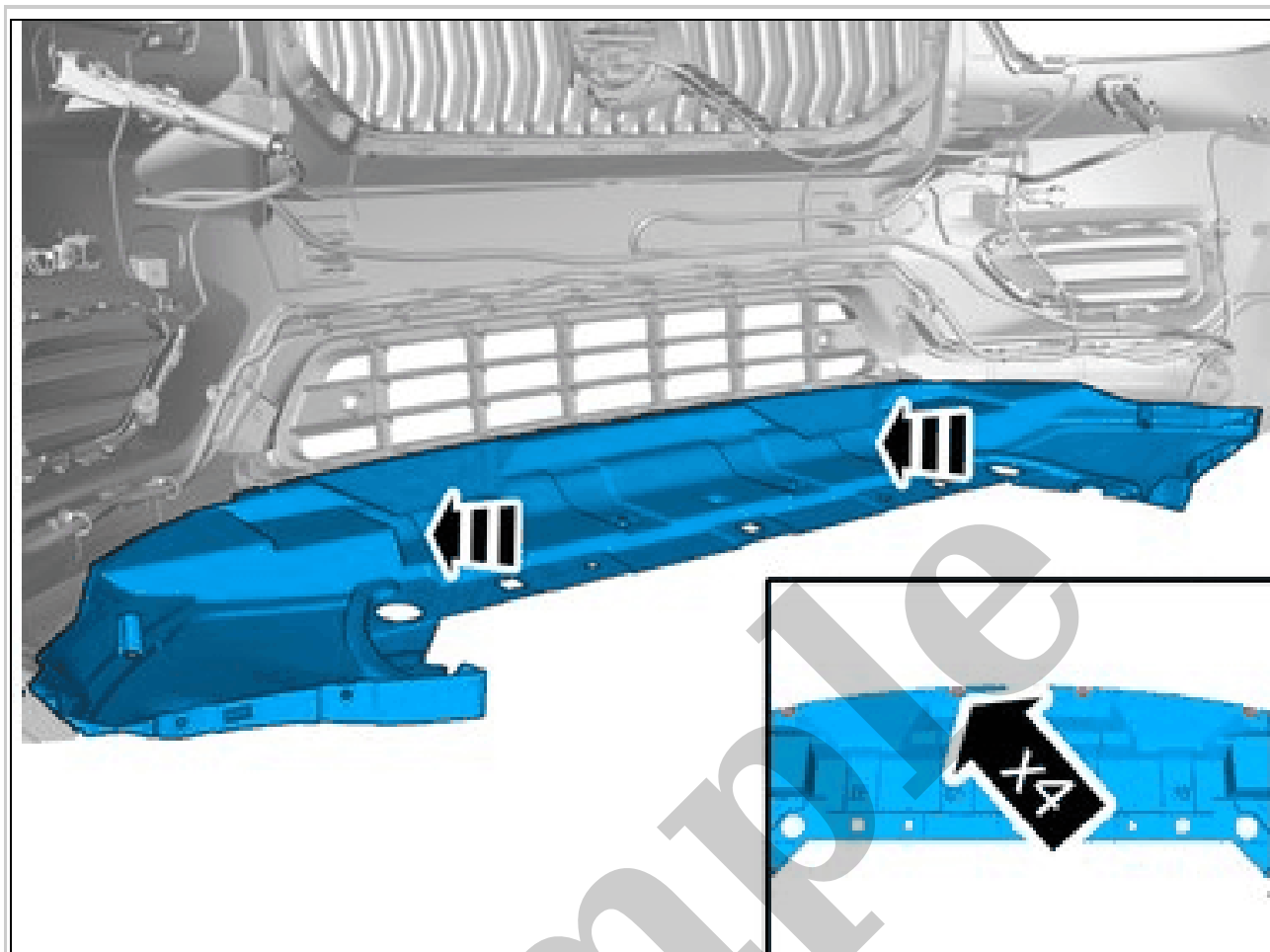


Your Ultimate Source for OEM Repair Manuals

FactoryManuals.net is a great resource for anyone who wants to save money on repairs by doing their own work. The manuals provide detailed instructions and diagrams that make it easy to understand how to fix a vehicle.

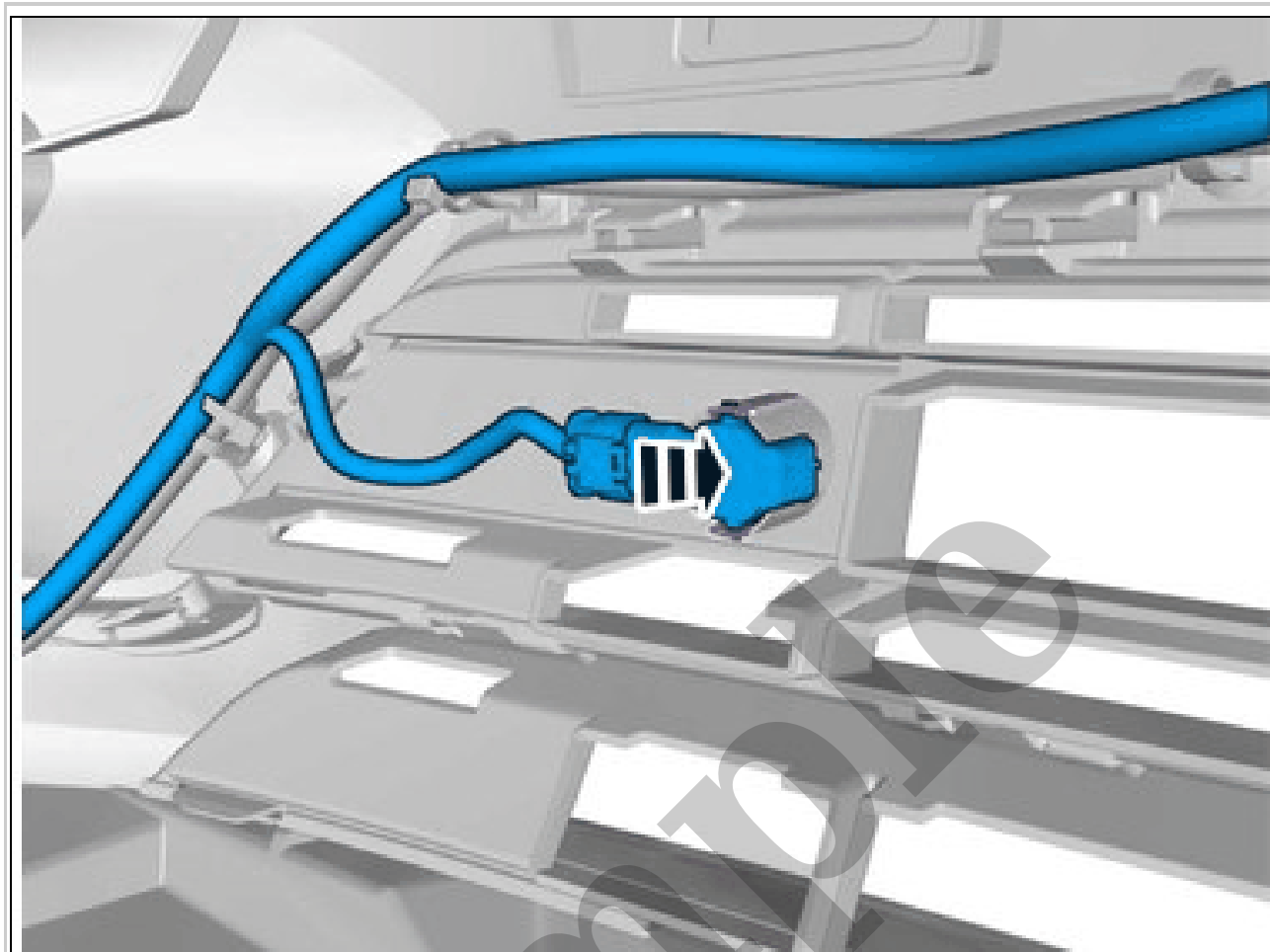
2000 VOLVO S80 OEM Service and Repair Workshop Manual

[Go to manual page](#)



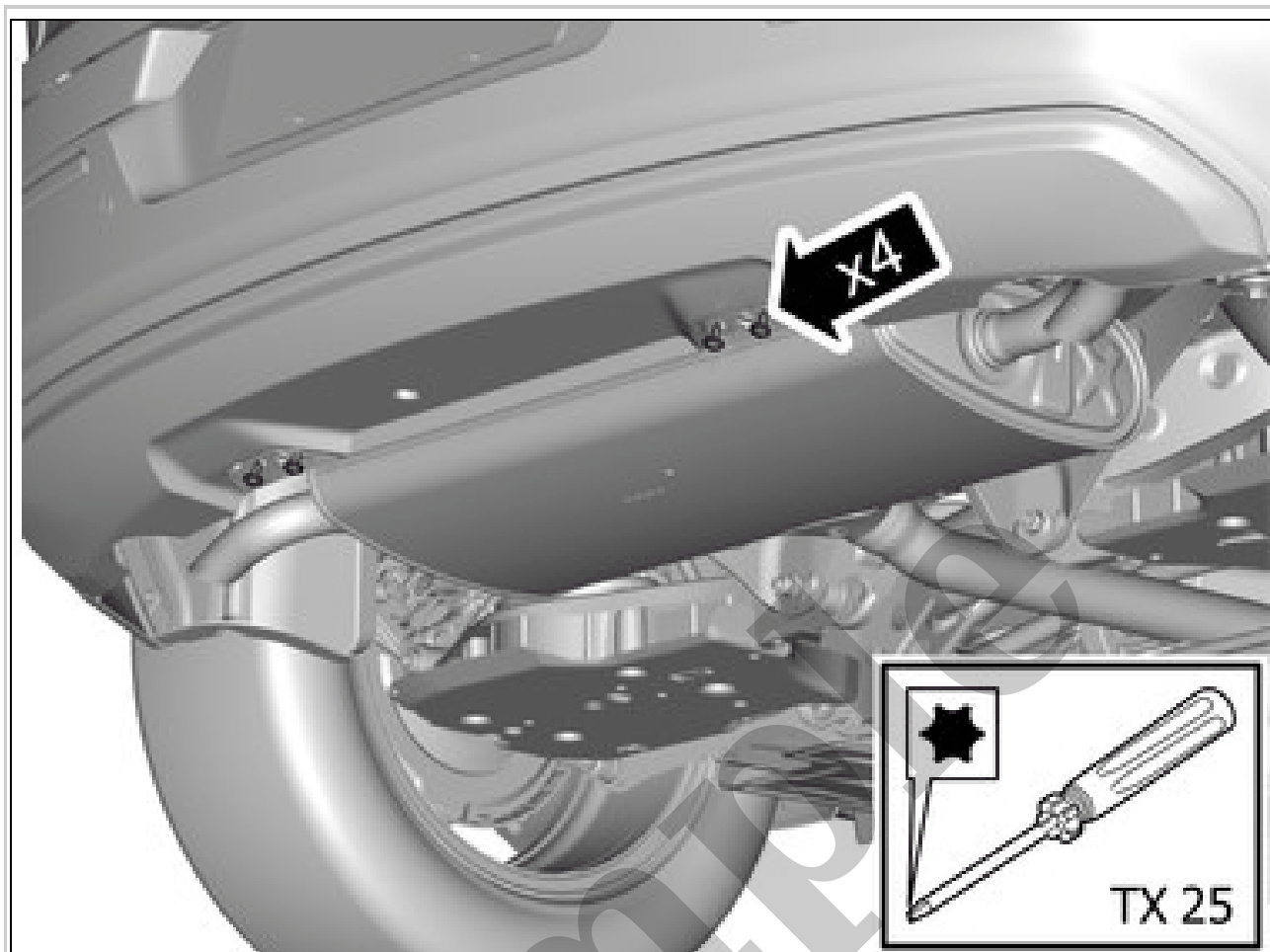
Courtesy of VOLVO CARS CORPORATION

Install the marked component.
Ensure that all clips engage.



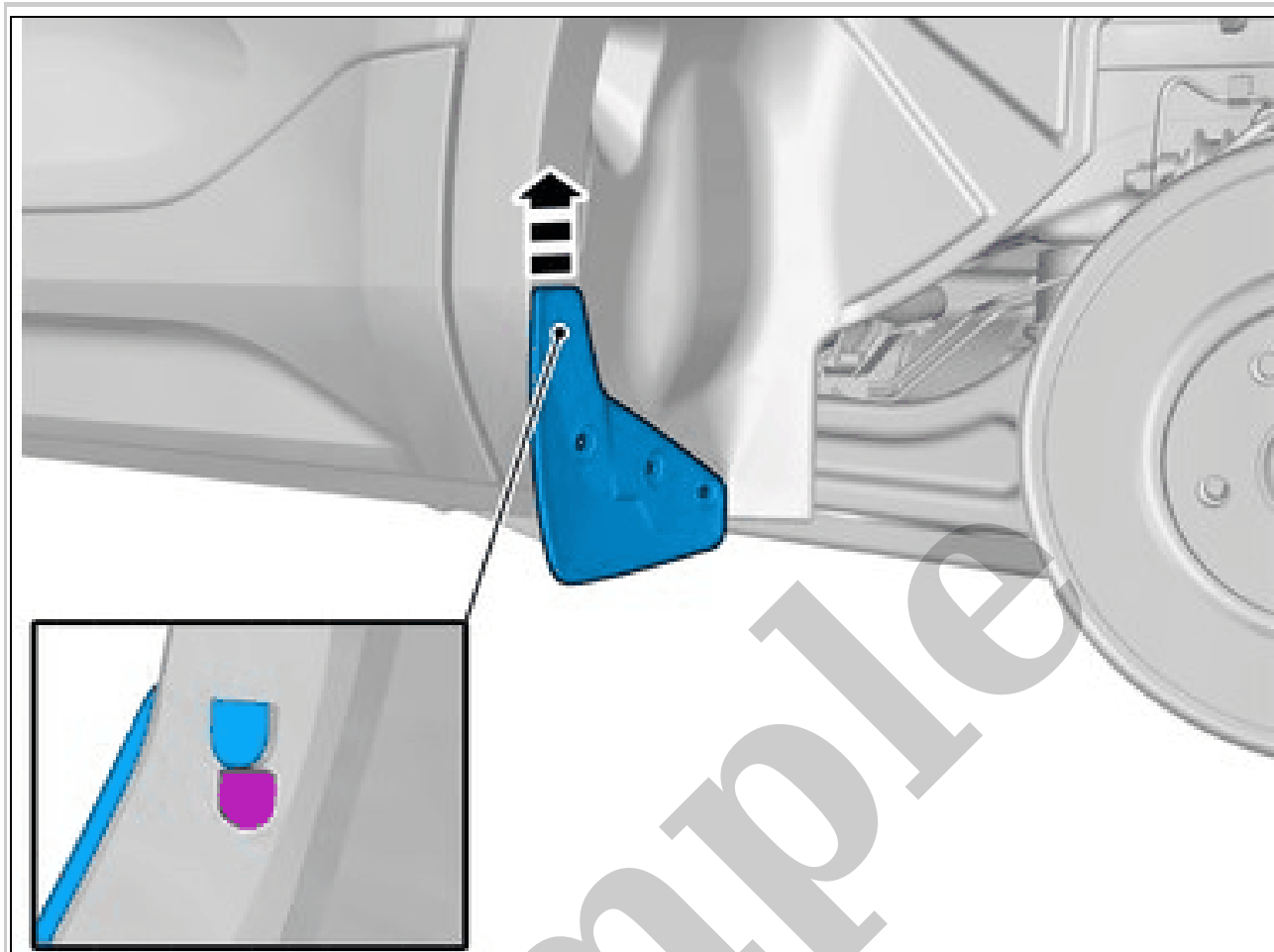
Courtesy of VOLVO CARS CORPORATION

Install the marked component.
Ensure that all clips engage.
Repeat on the other side.
ALL VEHICLES



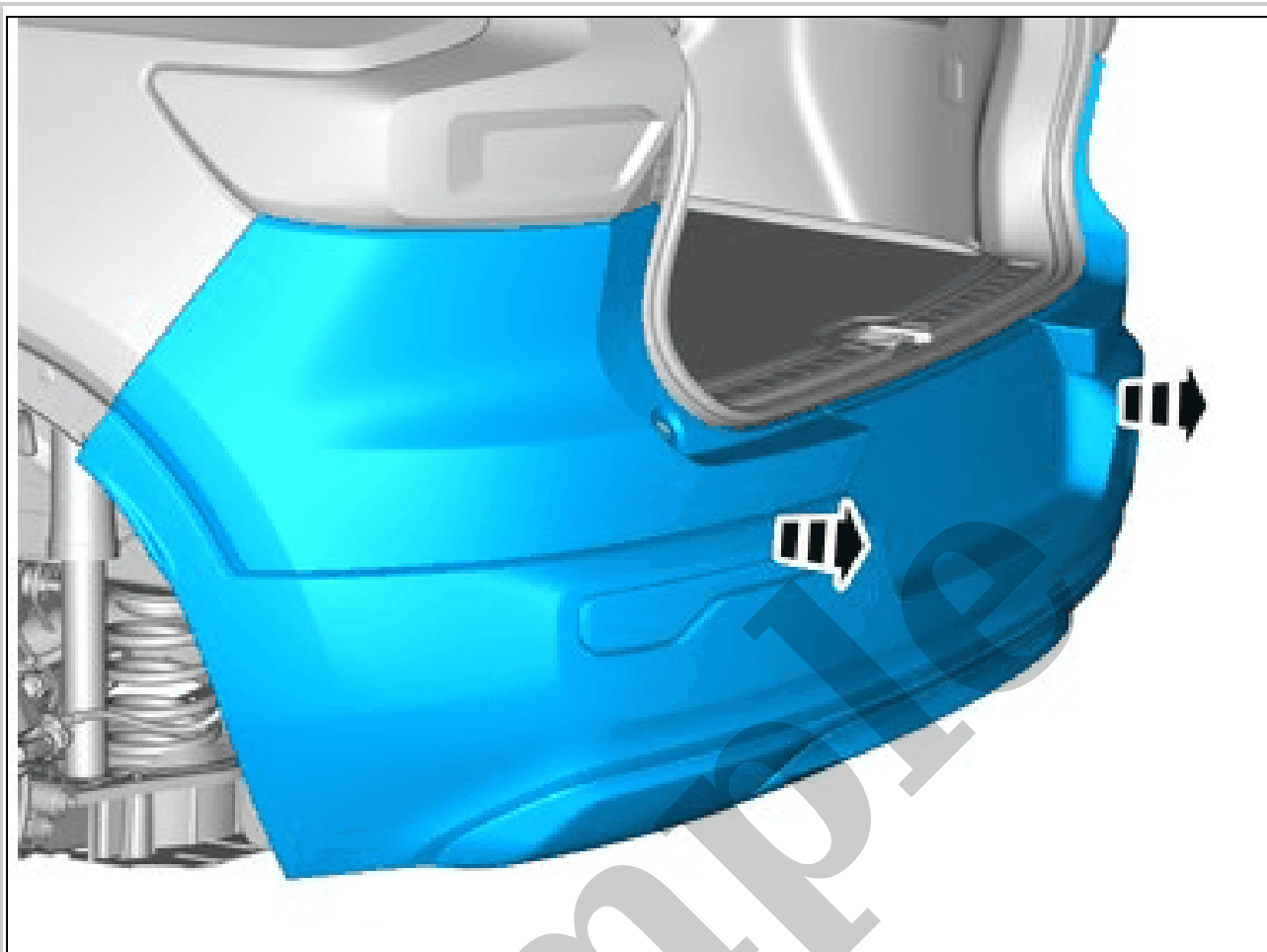
Courtesy of VOLVO CARS CORPORATION

Remove the screws.



Courtesy of VOLVO CARS CORPORATION

Remove the marked part.

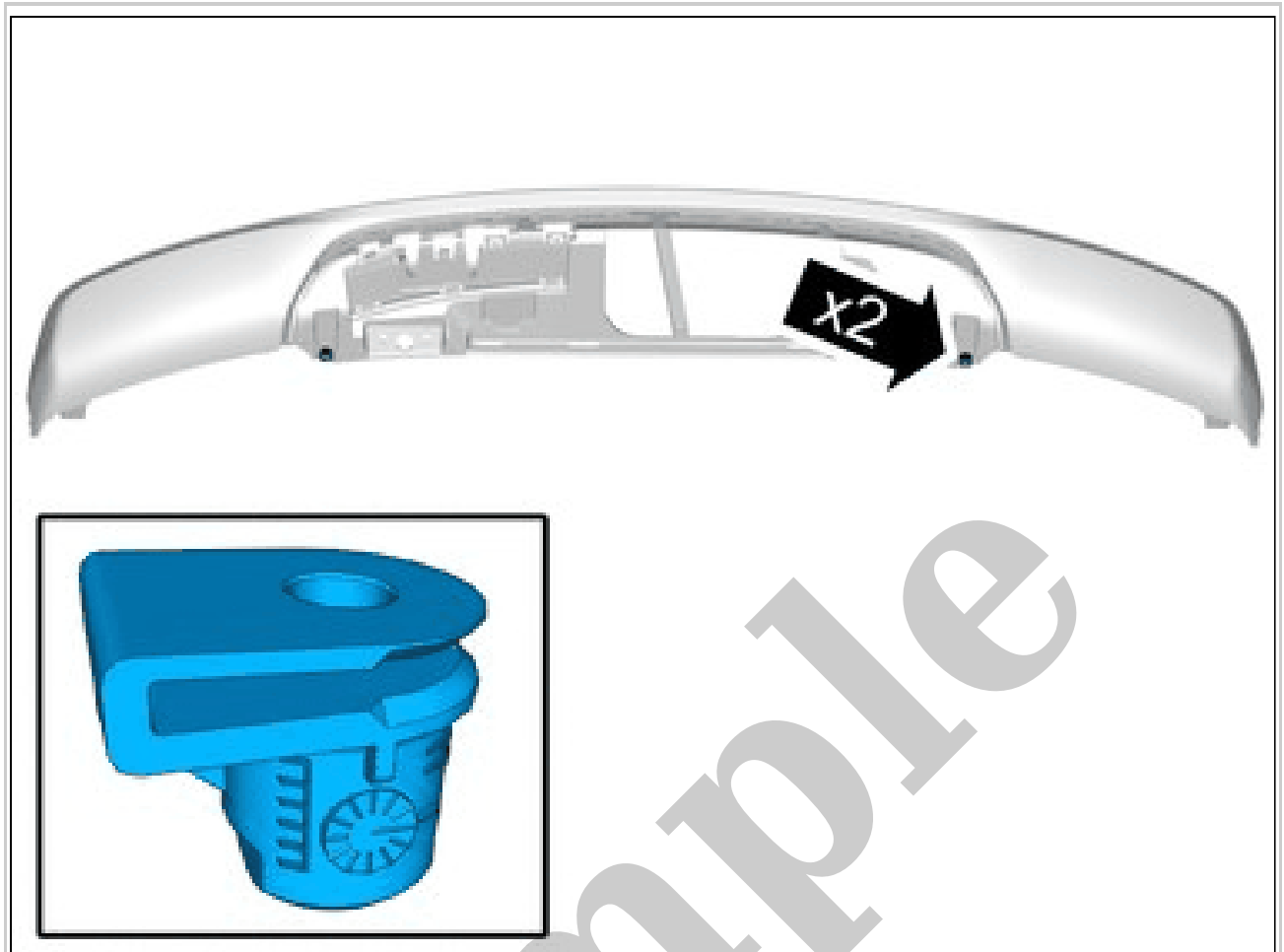


Courtesy of VOLVO CARS CORPORATION

CAUTION: *Place the Bumper Cover on a suitable surface.*

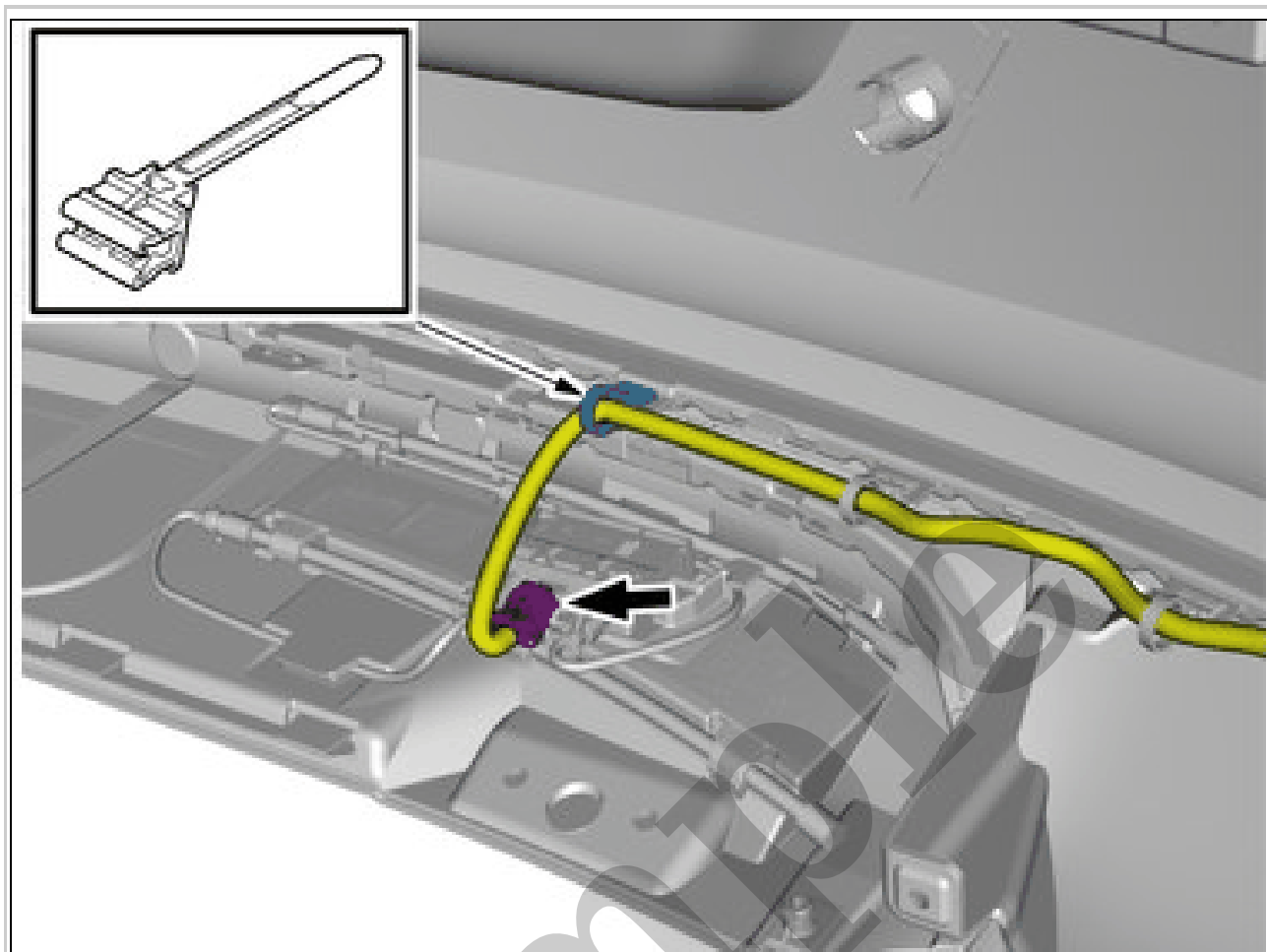
Request the aid of a colleague for this procedure.
Remove the marked part.

VEHICLES WITH FOOT MOVEMENT DETECTION (FMDM)



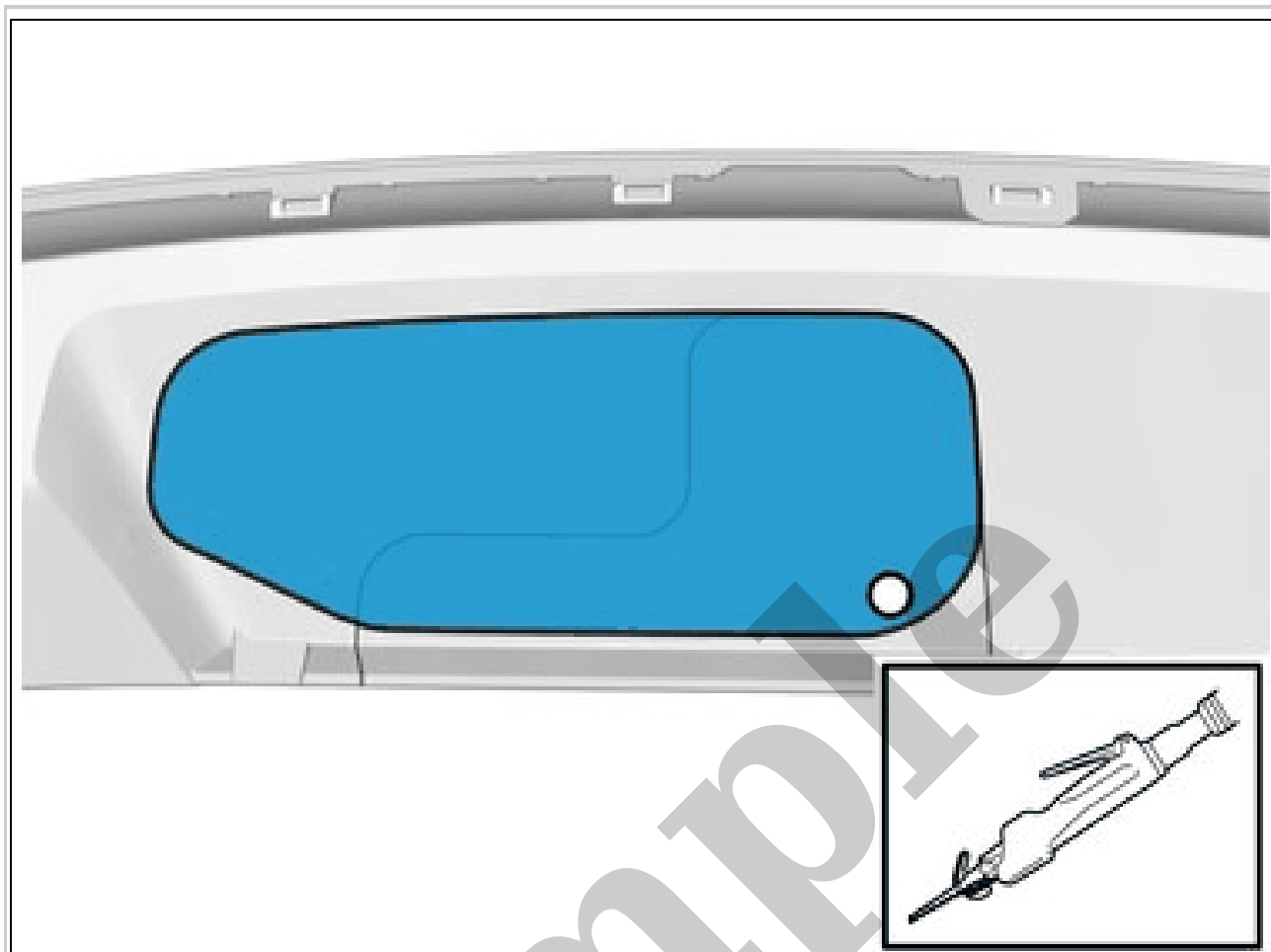
Courtesy of VOLVO CARS CORPORATION

Assemble components that come with the accessory kit.



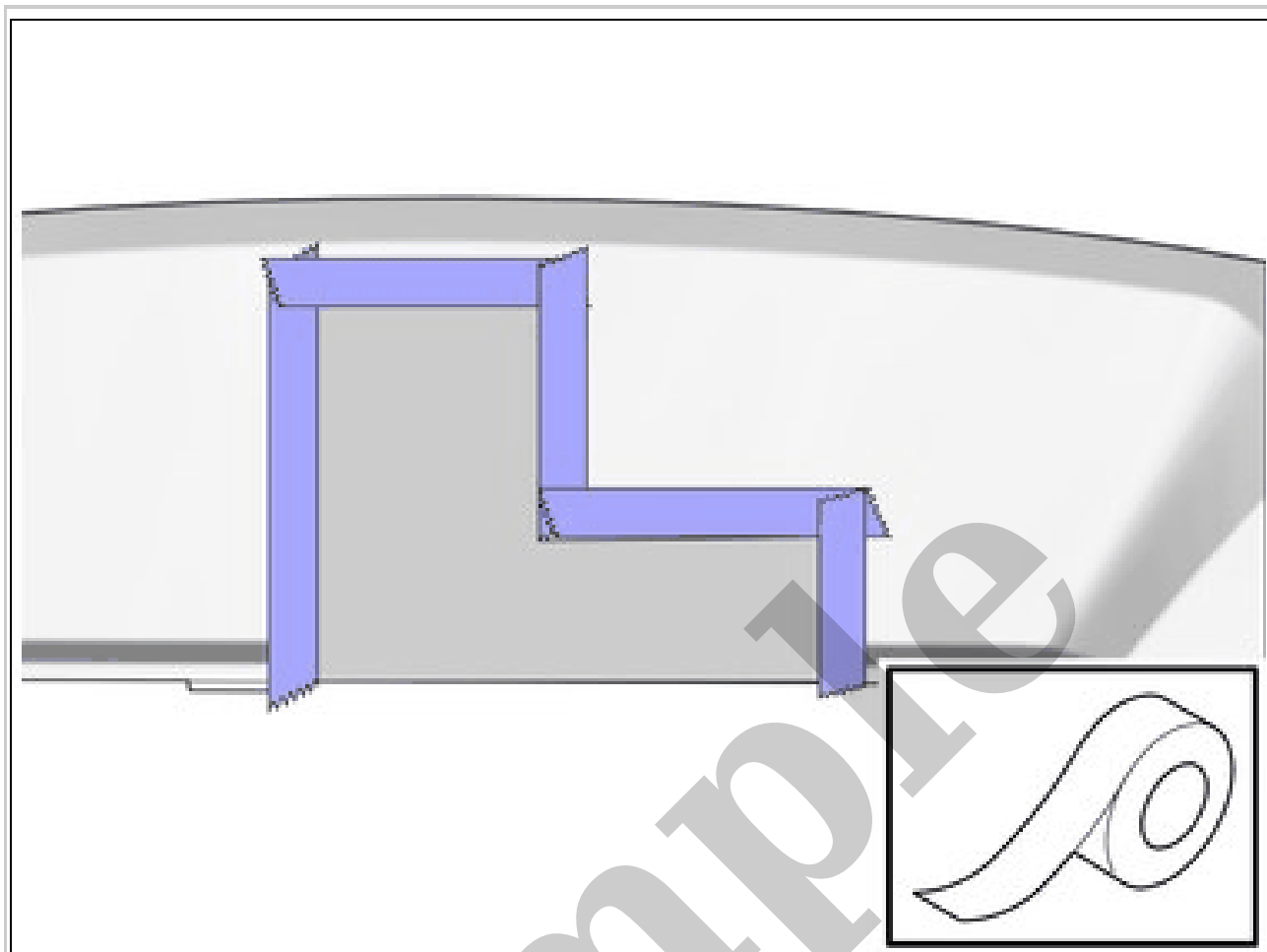
Courtesy of VOLVO CARS CORPORATION

Connect the connector.
Install component that comes with the accessory kit.
VEHICLES WITH FOLDING TOWBAR



Courtesy of VOLVO CARS CORPORATION

Remove the marked part.
Use: Air-powered air saw



Courtesy of VOLVO CARS CORPORATION

Apply tape to the other side, opposite the marking lines.

Use: Masking tape