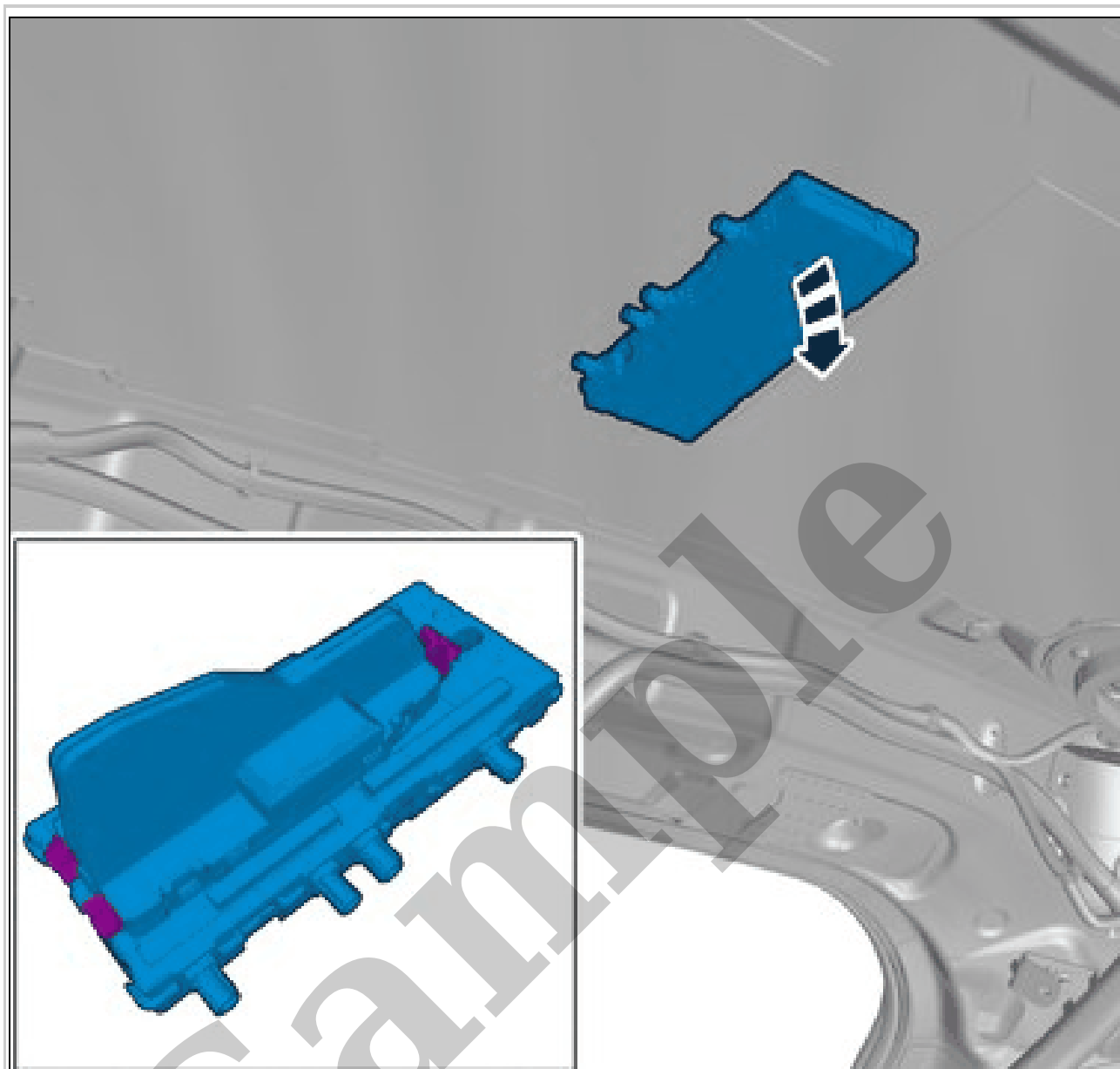


Your Ultimate Source for OEM Repair Manuals

FactoryManuals.net is a great resource for anyone who wants to save money on repairs by doing their own work. The manuals provide detailed instructions and diagrams that make it easy to understand how to fix a vehicle.

2000 VOLVO S40 OEM Service and Repair Workshop Manual

[Go to manual page](#)



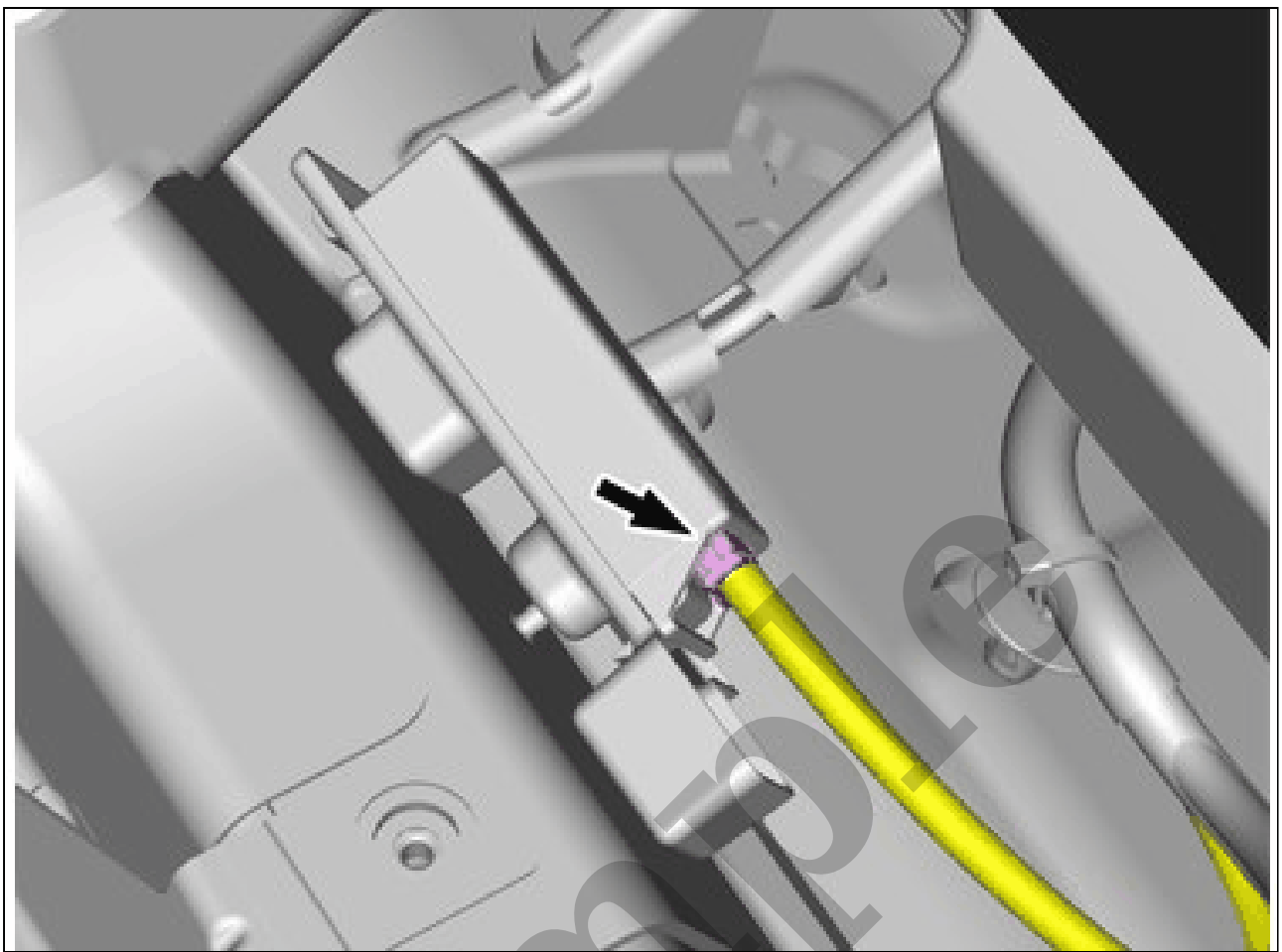
Courtesy of VOLVO CARS CORPORATION

Remove the marked part.

**MULTIBAND ANTENNA MODULE MAM > MULTIBAND ANTENNA MODULE MAM
[2018-2022, B4204T18 | 2019-2022, B4204T47] > INSTALLATION**

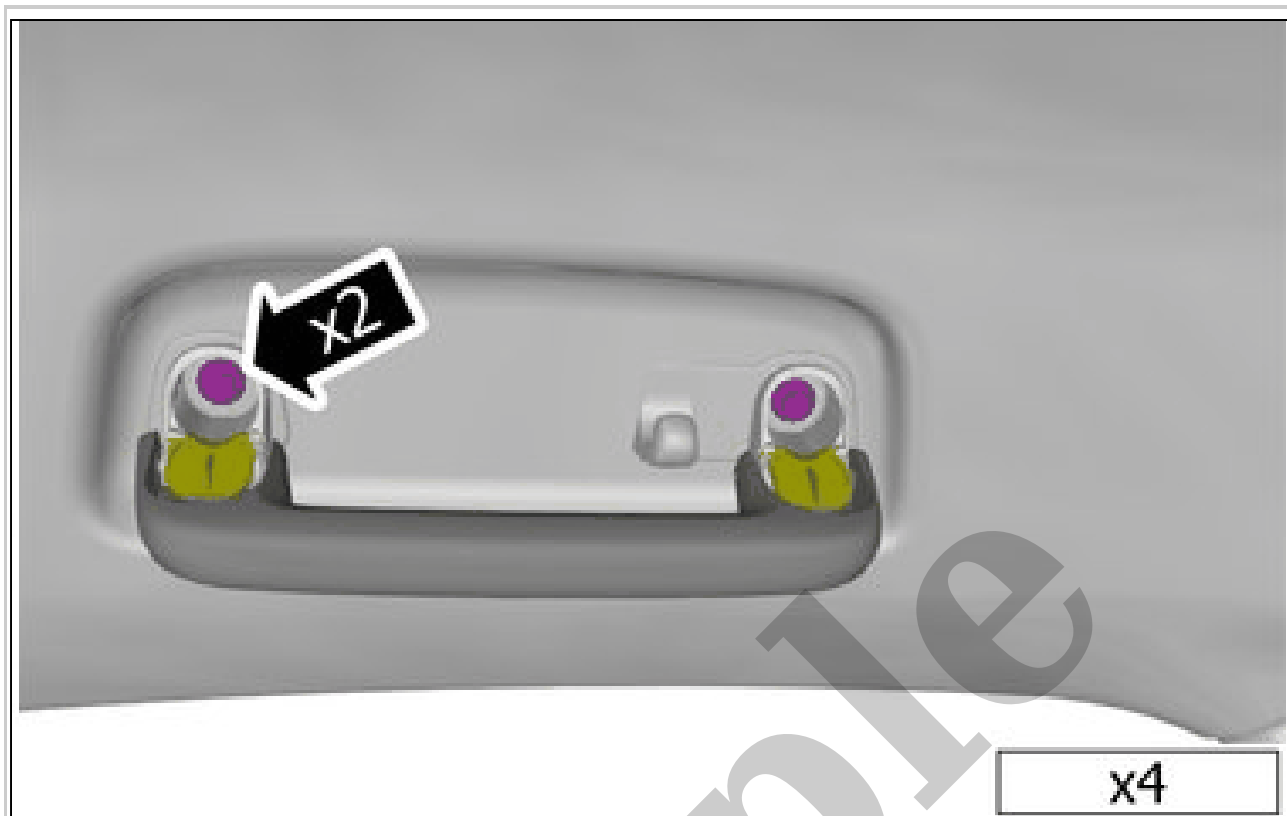
To install, reverse the removal procedure.

TCAM BACKUP BATTERY > TCAM BACKUP BATTERY [2021, E400V6] > REMOVAL



Courtesy of VOLVO CARS CORPORATION

Disconnect the connector.



Courtesy of VOLVO CARS CORPORATION

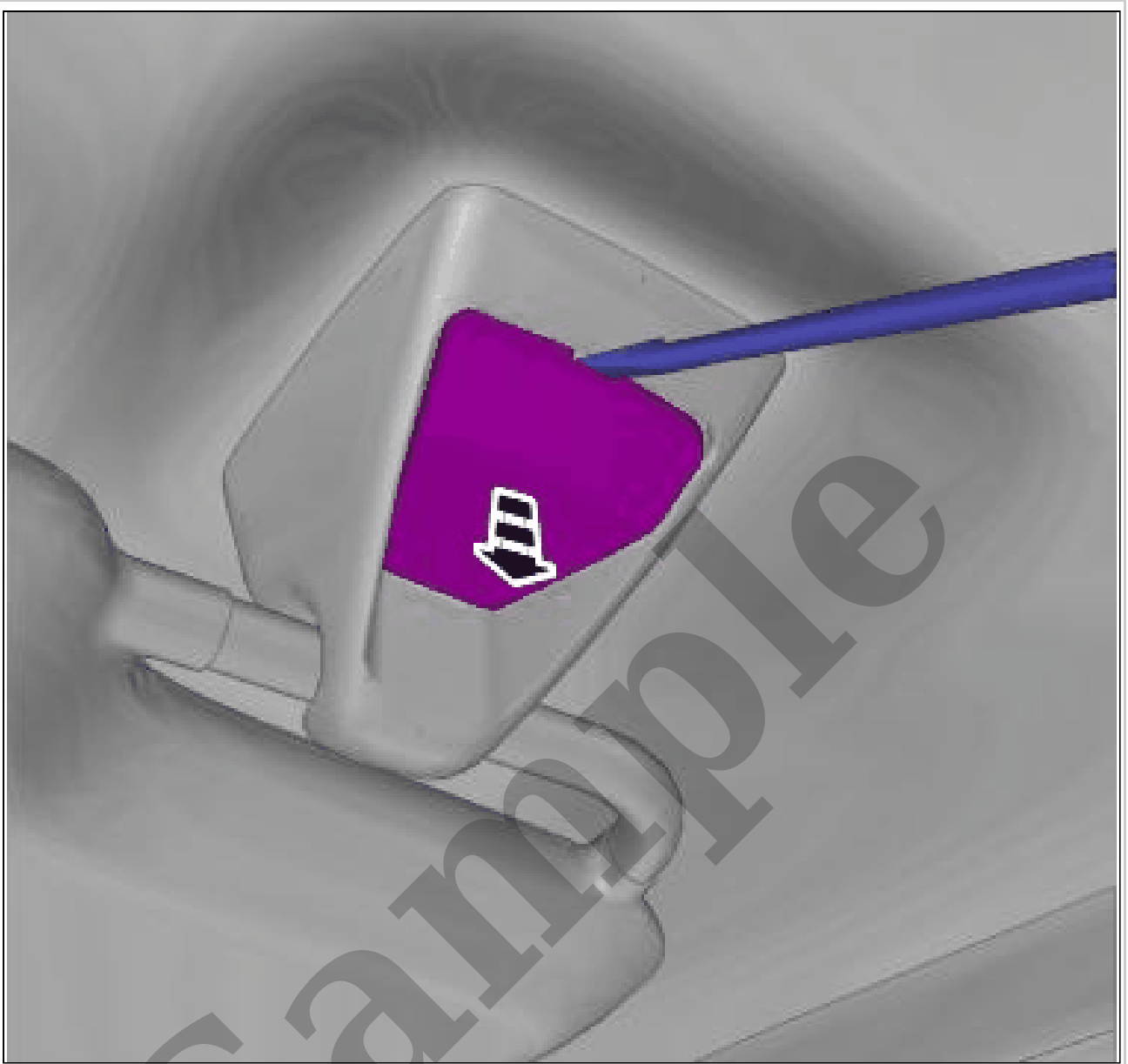
Remove the screws.

Torque: Entry handle, to bracket, 6Nm



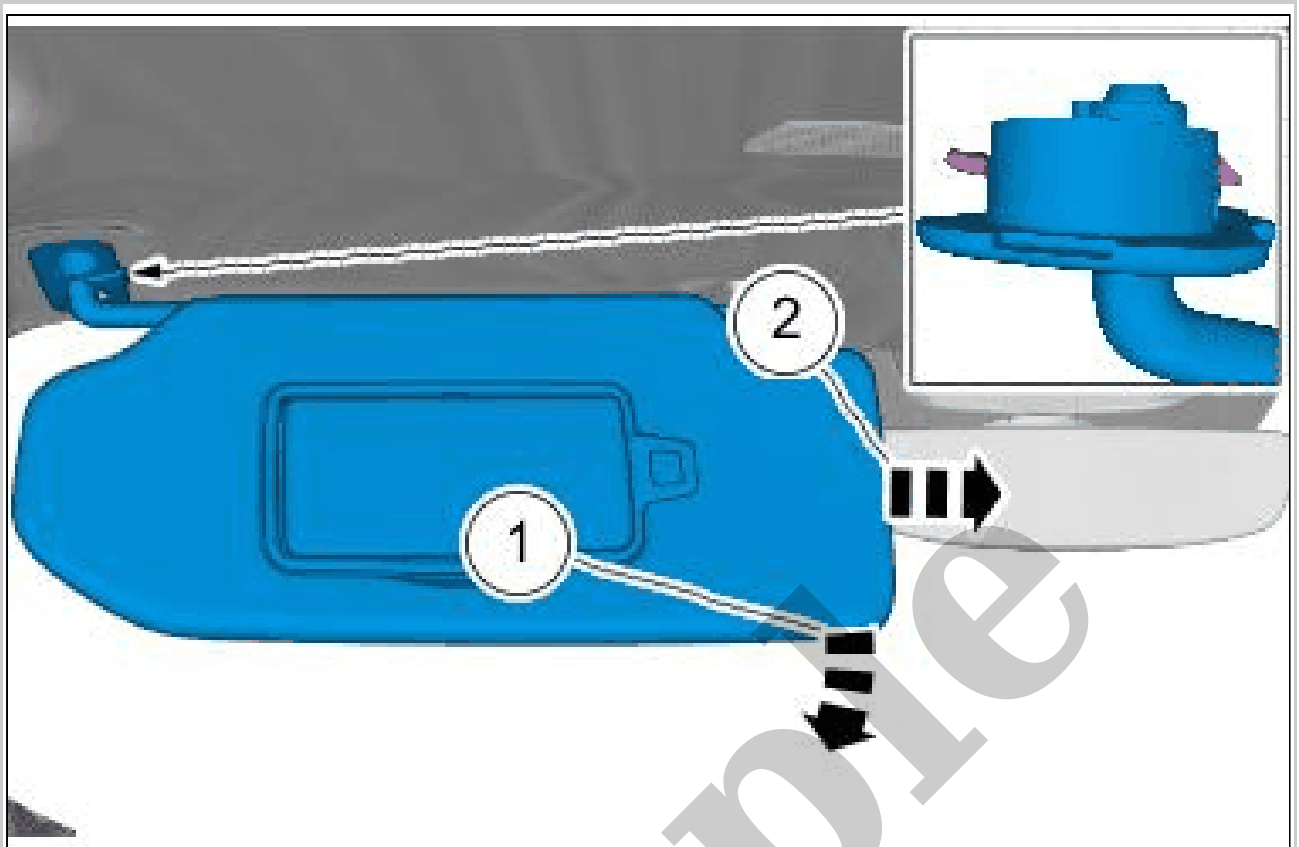
Courtesy of VOLVO CARS CORPORATION

Remove the marked part.



Courtesy of VOLVO CARS CORPORATION

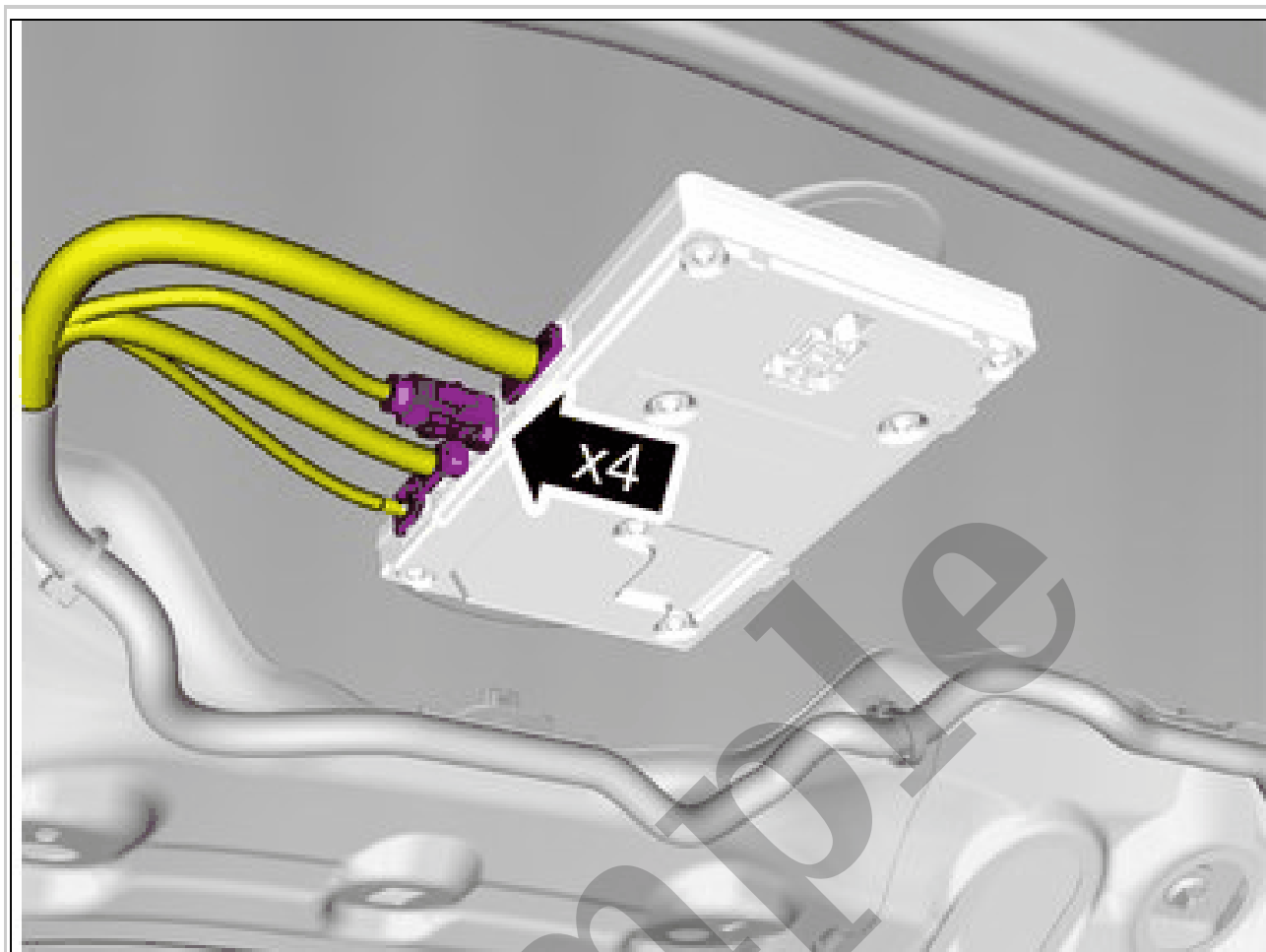
Remove the fastener.
On both sides.



Courtesy of VOLVO CARS CORPORATION

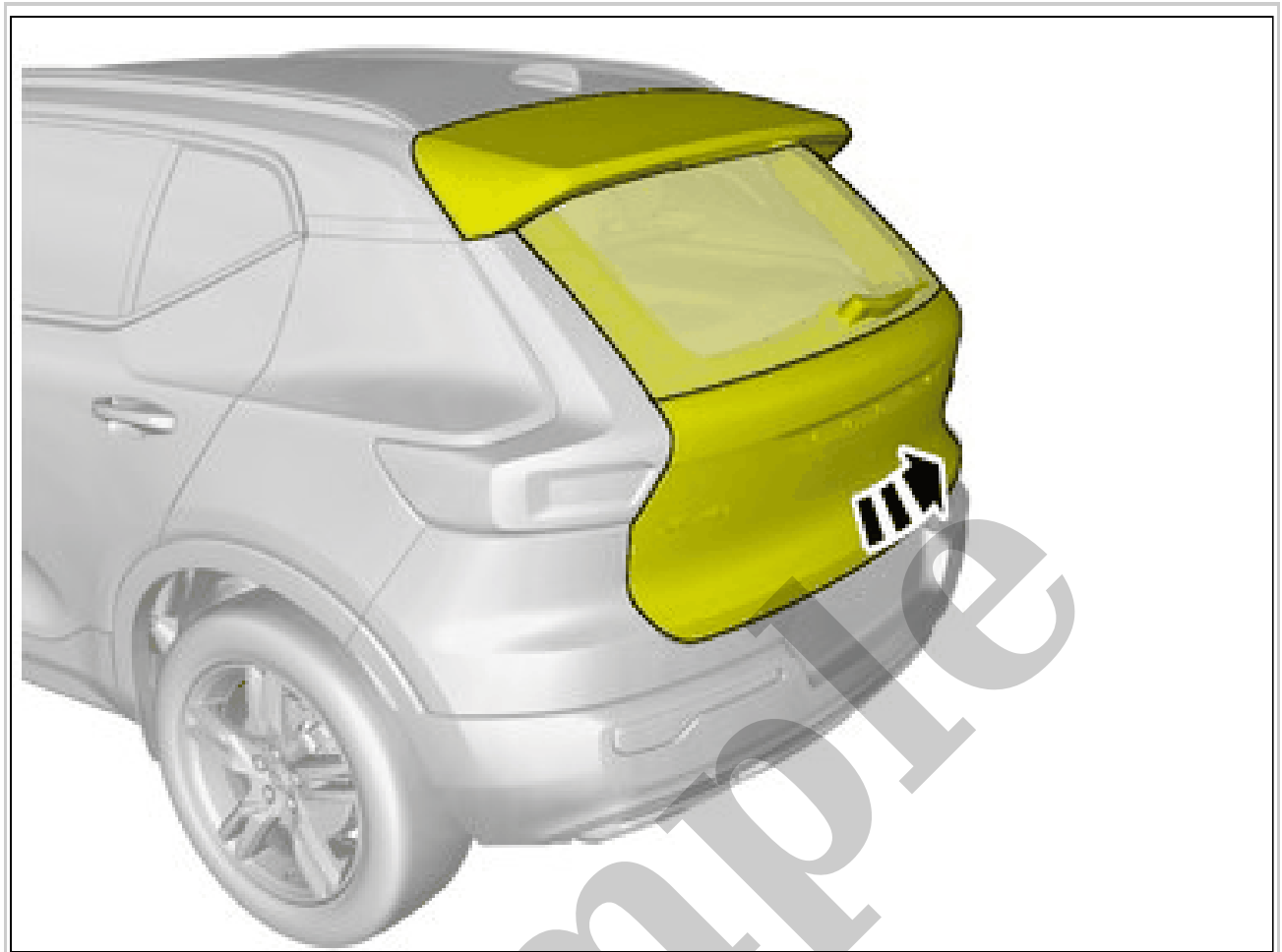
Remove the marked part.
On both sides.

VEHICLES WITH ROOF OPENING PANEL

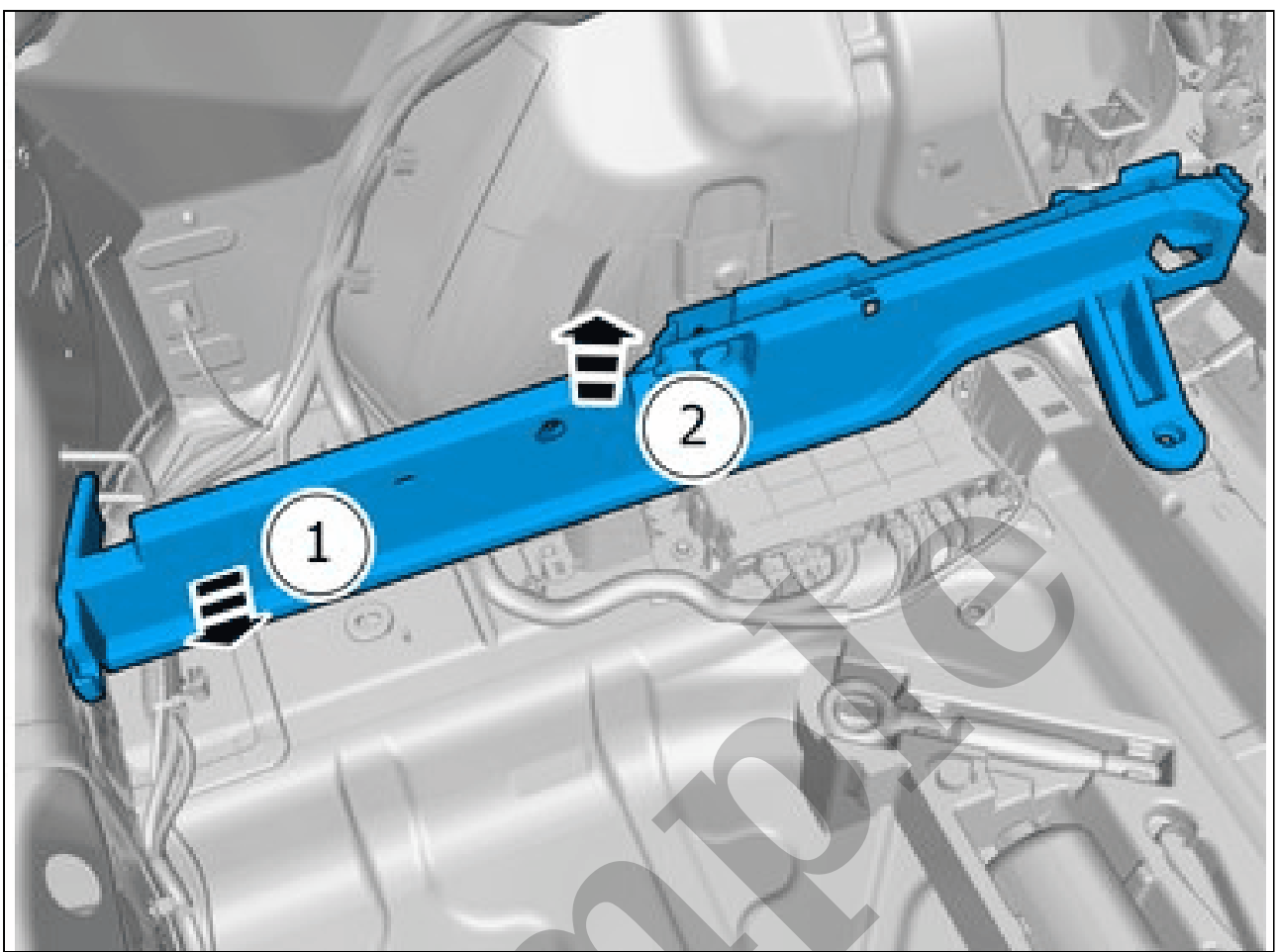


Courtesy of VOLVO CARS CORPORATION

Disconnect the connectors.



Courtesy of VOLVO CARS CORPORATION



Courtesy of VOLVO CARS CORPORATION

Remove the marked part.