

Your Ultimate Source for OEM Repair Manuals

FactoryManuals.net is a great resource for anyone who wants to save money on repairs by doing their own work. The manuals provide detailed instructions and diagrams that make it easy to understand how to fix a vehicle.

2000 FORD Expedition OEM Service and Repair Workshop Manual

[Go to manual page](#)

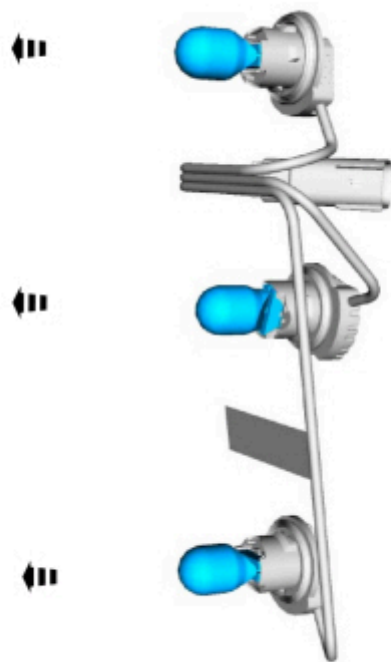


E337150

[Click here to learn about symbols, color coding, and icons used in this manual.](#)

Rear lamp assemblies equipped with three incandescent bulbs

4. Remove the affected incandescent bulb socket. Rotate the rear lamp assembly bulb socket counter clockwise to remove.
 1. Remove the Amber Turn Signal bulb socket.
 2. Remove the Stop/Tail/Sidemarkers bulb socket.
 3. Remove the Backup bulb socket.



E337152

[Click here to learn about symbols, color coding, and icons used in this manual.](#)

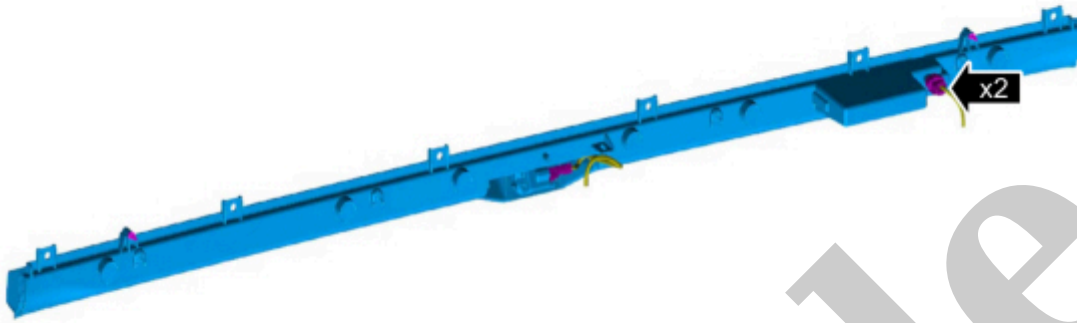
Installation

1. To install, reverse the removal procedure.

Copyright © Ford Motor Company

[Click here to learn about symbols, color coding, and icons used in this manual.](#)

3. Disconnect the reversing lamp and the camera electrical connectors. Remove the reversing lamp.



E374555

[Click here to learn about symbols, color coding, and icons used in this manual.](#)

Installation

All vehicles

1. To install, reverse the removal procedure.

Vehicles equipped with 360° cameras only

2. Using a diagnostic scan tool, following the on screen instructions for the LIN New Module Initialization-IMPB configure the IPMB (image processing module B) .
3. Align the 360° camera.

Refer to: [Rear Parking Aid Camera](#)(413-13B Parking Aid - Vehicles With: Parking Aid Camera, Removal and Installation).

Vehicles equipped with 360° camera and Trailer Reverse Guidance

4. Using a diagnostic scan tool, following the on screen instructions for the LIN New Module Initialization-IMPB configure the IPMB (image processing module B) .
5. Align the 360° camera.



Spot Lamp Switch

<i>417-01 Exterior Lighting</i>	<i>2022 F-150</i>
<i>Removal and Installation</i>	<i>Procedure revision date: 09/25/2020</i>

Spot Lamp Switch

Removal

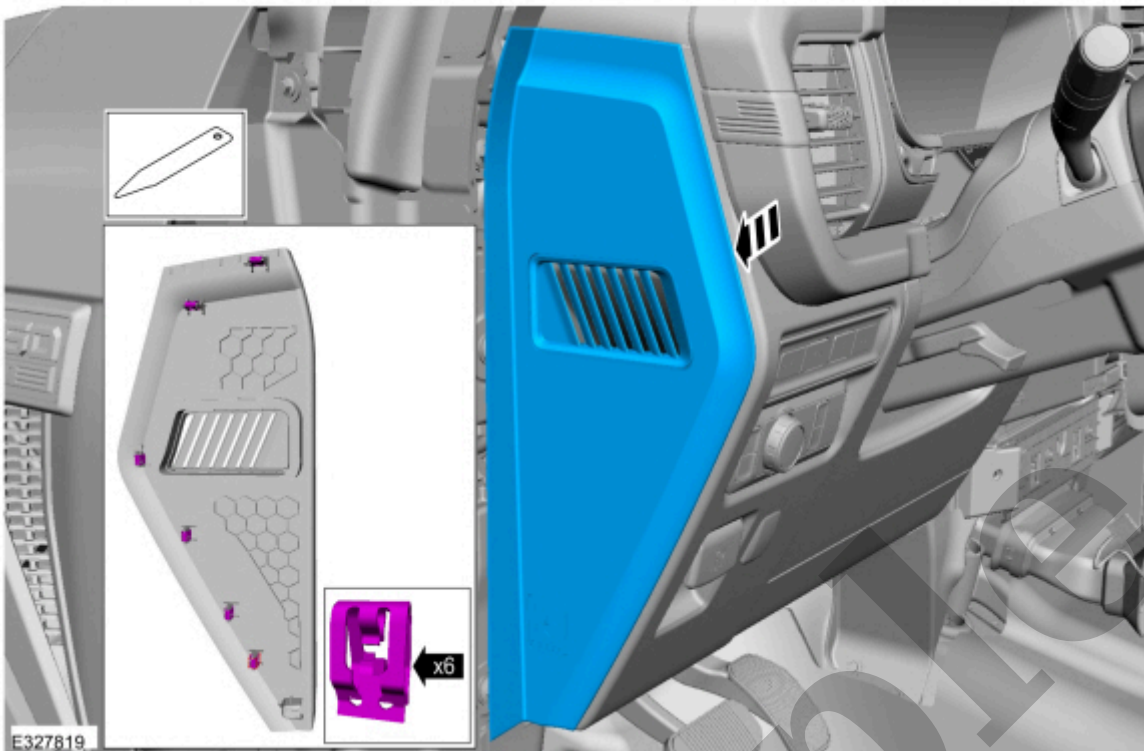
NOTE

Removal steps in this procedure may contain installation details.

1. Release the clips to open the access panel, remove the bolts and the access panel.

Torque : 22 lb.in (2.5 Nm)

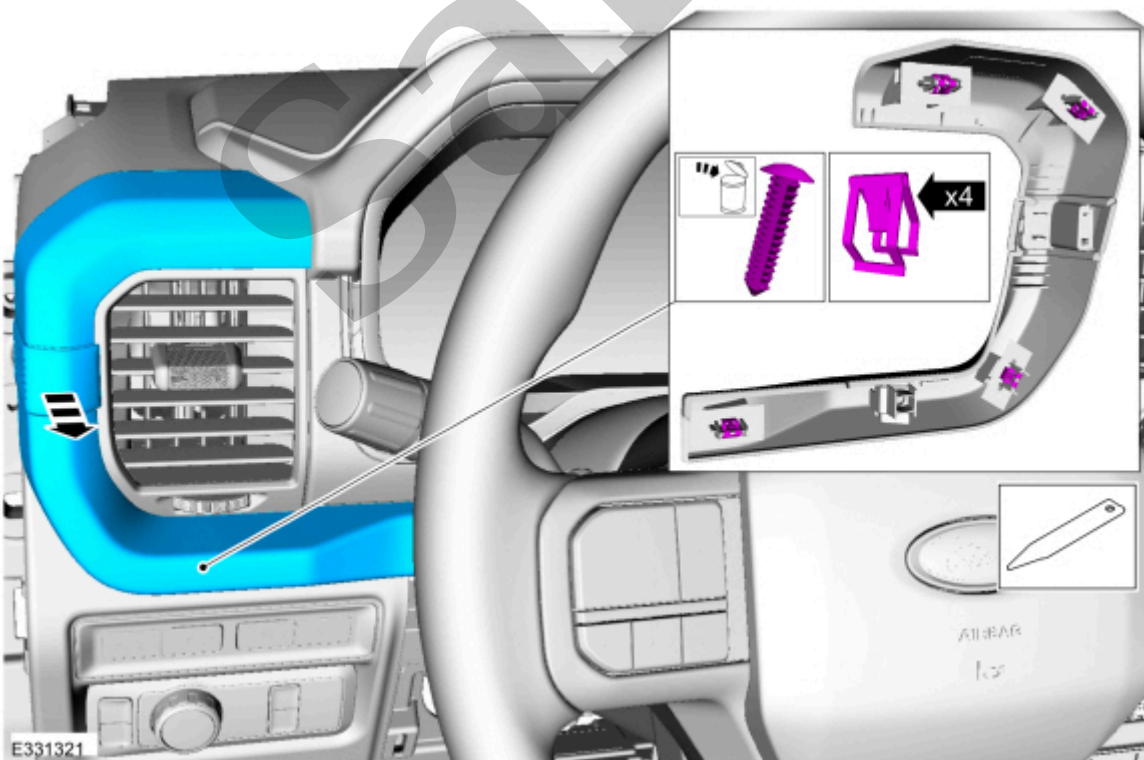
Use the General Equipment: Interior Trim Remover

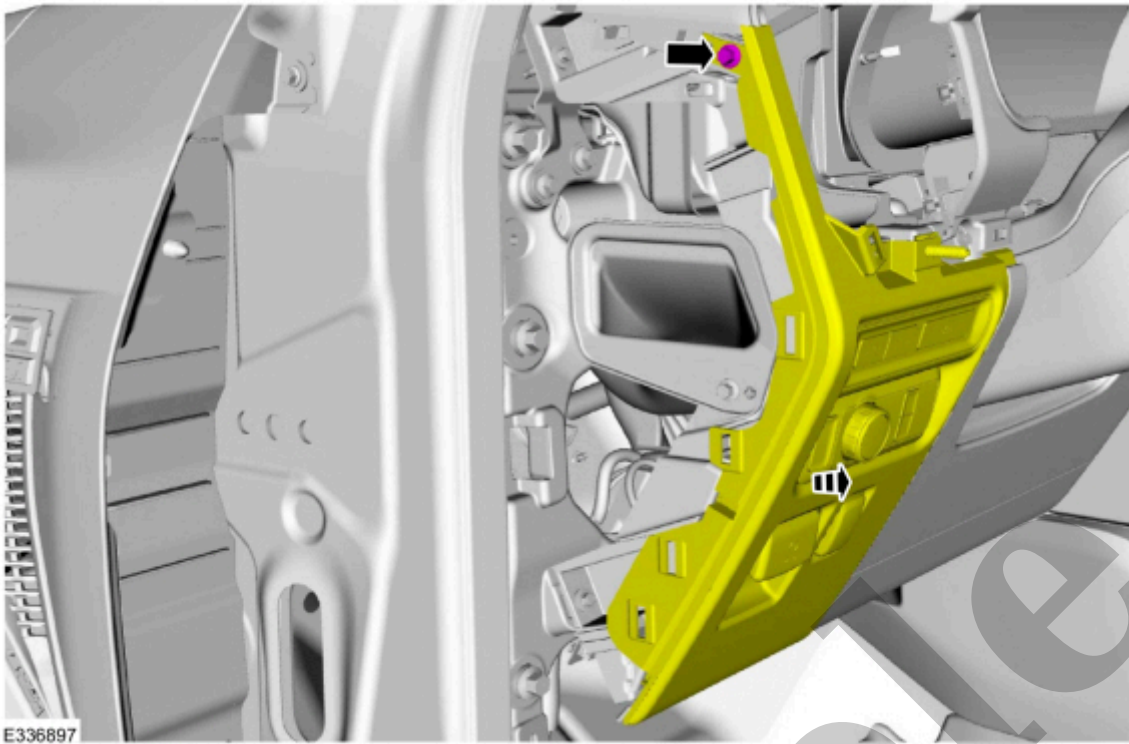


[Click here to learn about symbols, color coding, and icons used in this manual.](#)

4. Release the clips and remove the LH (left-hand) register bezel.

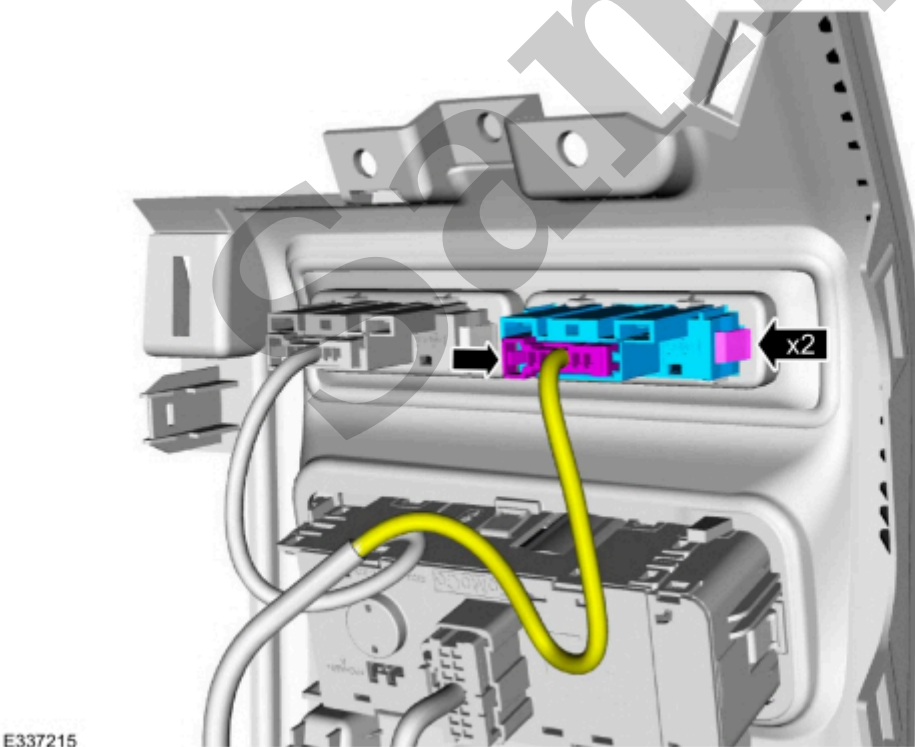
Use the General Equipment: Interior Trim Remover





[Click here to learn about symbols, color coding, and icons used in this manual.](#)

7. Disconnect the electrical connector, release the clips and remove the spot lamp switch.



[Click here to learn about symbols, color coding, and icons used in this manual.](#)

Installation

Trailer Module (TRM)

417-01 Exterior Lighting	2022 F-150
Removal and Installation	Procedure revision date: 09/25/2020

Trailer Module (TRM)

Removal

NOTE

Removal steps in this procedure may contain installation details.

1. NOTE

This step is only necessary if the TRM (trailer module) is being replaced.

Using a diagnostic scan tool, begin the PMI (programmable module installation) process for the TRM (trailer module) following the on-screen instructions.

2. Remove the TRM (trailer module) .

1. Remove the bolts.

Torque : 106 lb.in (12 Nm)

2. Disconnect the TRM (trailer module) electrical connectors.

Interior Lighting - System Operation and Component Description

417-02 Interior Lighting	2022 F-150
Description and Operation	Procedure revision date: 08/15/2022

Interior Lighting - System Operation and Component Description

System Operation

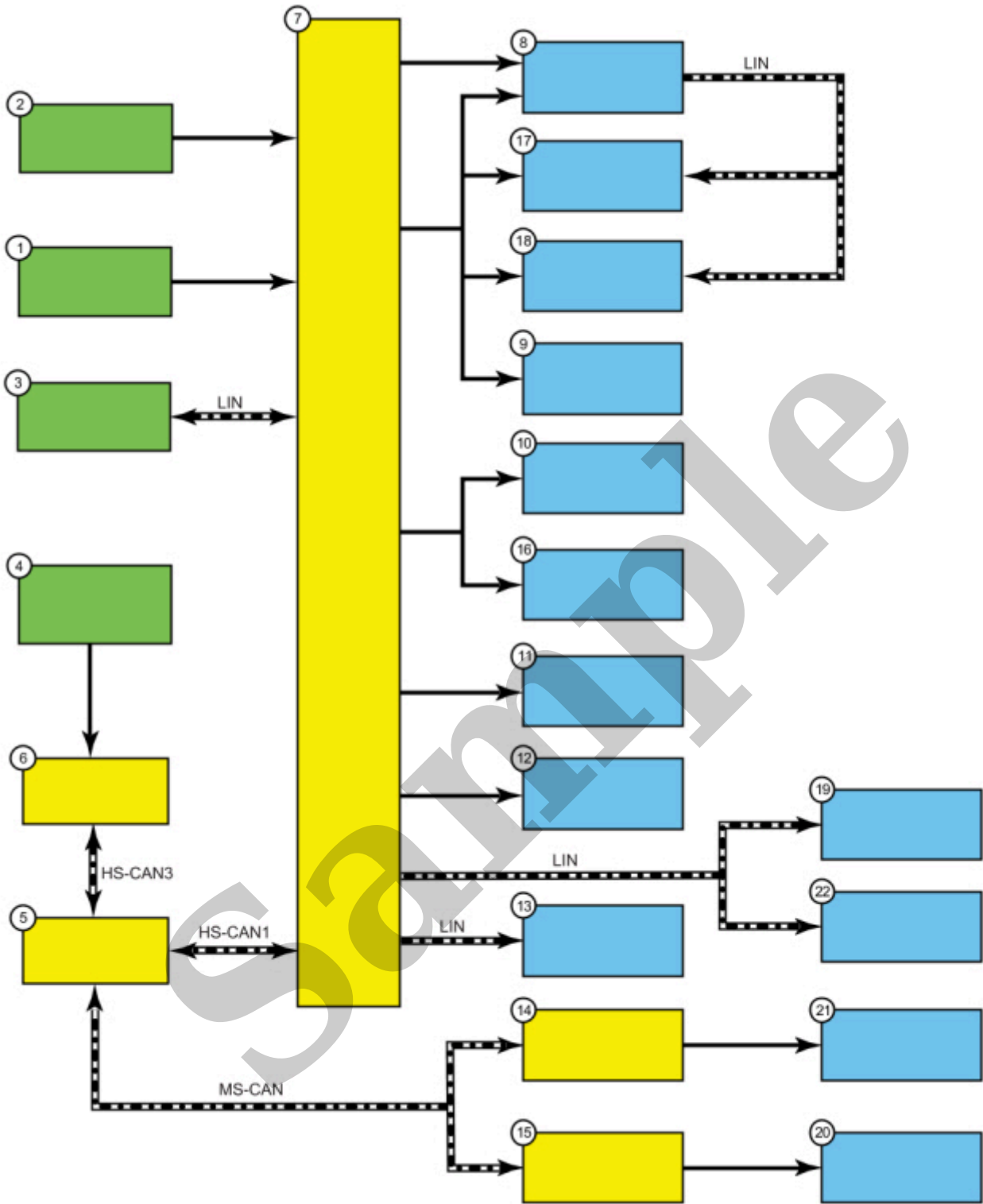
Overview

The interior lighting system consists of:

- Courtesy lamps
- Demand lamps
- Ambient lighting

The courtesy lamps subsystem consists of:

- Interior lamps
- Puddle lamps
- Front scuff plate lamps
- Door ajar switches (integrated into the door latches)
- Courtesy lamp switch (integrated into the overhead console)
- Truck bed lamps
- Trailer assist lamp
- DDM (driver door module)
- PDM (passenger door module)



E371108

Item	Description
1	Door Ajar Switches