

Your Ultimate Source for OEM Repair Manuals

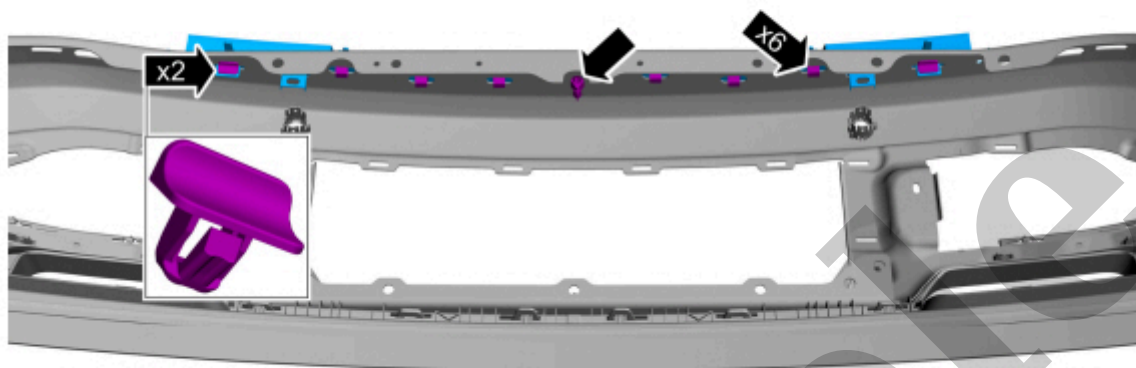
FactoryManuals.net is a great resource for anyone who wants to save money on repairs by doing their own work. The manuals provide detailed instructions and diagrams that make it easy to understand how to fix a vehicle.

2000 FORD Crown Victoria OEM Service and Repair Workshop Manual

[Go to manual page](#)

[Click here to learn about symbols, color coding, and icons used in this manual.](#)

19. Release the clips, the tabs and remove the front bumper upper valence panel.



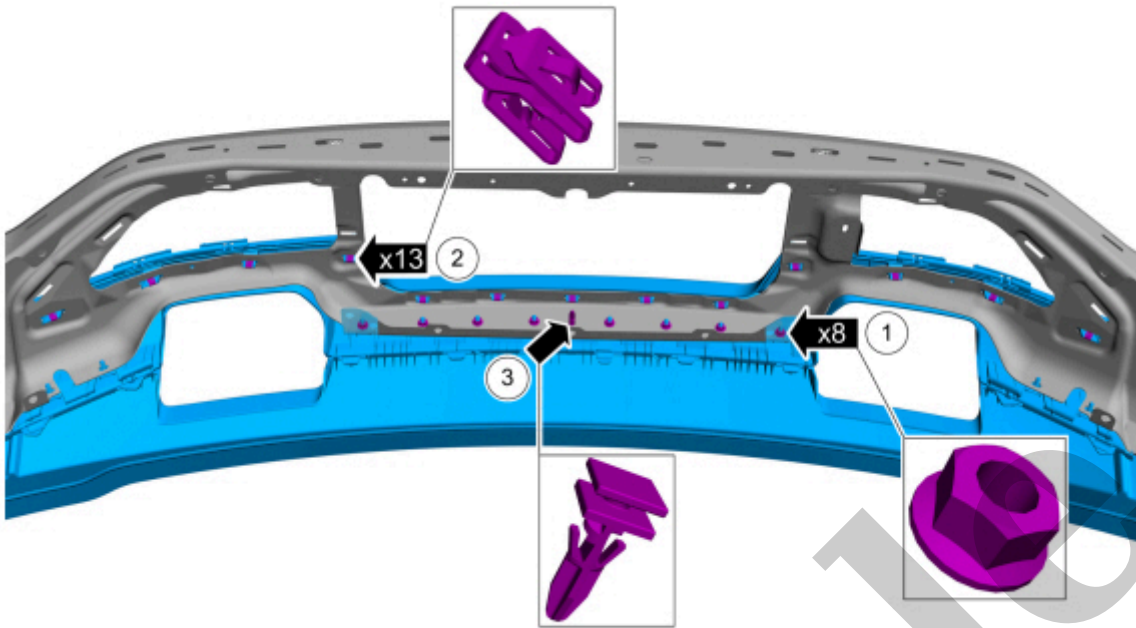
E383906

[Click here to learn about symbols, color coding, and icons used in this manual.](#)

20. On both sides.

Remove the nuts and detach the retainer.

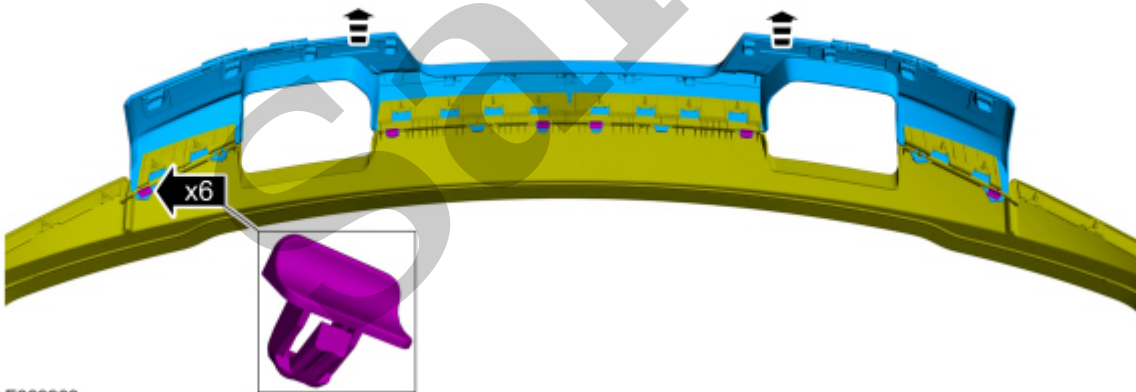
Torque : 27 lb.in (3 Nm)



E383908

[Click here to learn about symbols, color coding, and icons used in this manual.](#)

22. Release the clips and remove the front bumper protective shield.



E383909

[Click here to learn about symbols, color coding, and icons used in this manual.](#)

ASSEMBLY

1. To assemble, reverse the disassembly procedure.

Vehicles With: Front Parking Aid

2. Check the alignment of the front parking aid sensors.

Front Bumper - Raptor

501-19 Bumpers	2022 F-150
Disassembly and Assembly	Procedure revision date: 06/18/2021

Front Bumper - Raptor

DISASSEMBLY

NOTE

Disassembly steps in this procedure may contain assembly details.

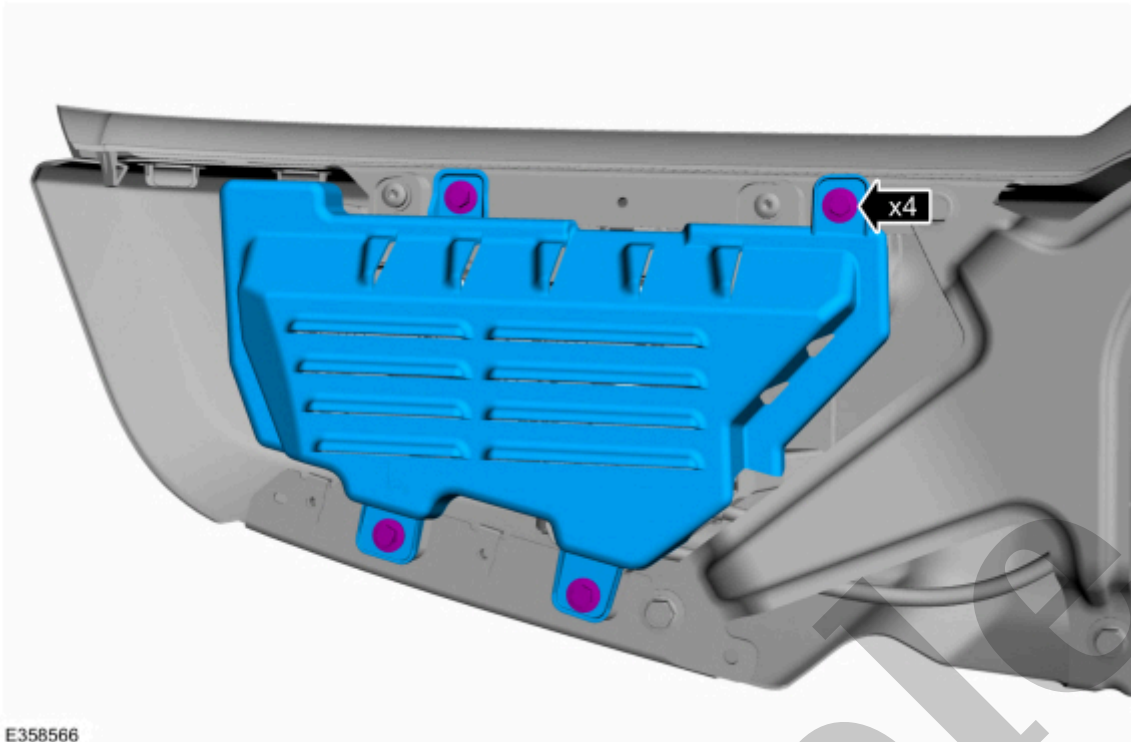
1. Remove the front bumper.

Refer to: [Front Bumper - Raptor](#)(501-19 Bumpers, Removal and Installation).

2. On both sides,

1. Remove the push pin.
2. Remove the bolts and the stone deflector.

Torque : 18 lb.in (2 Nm)

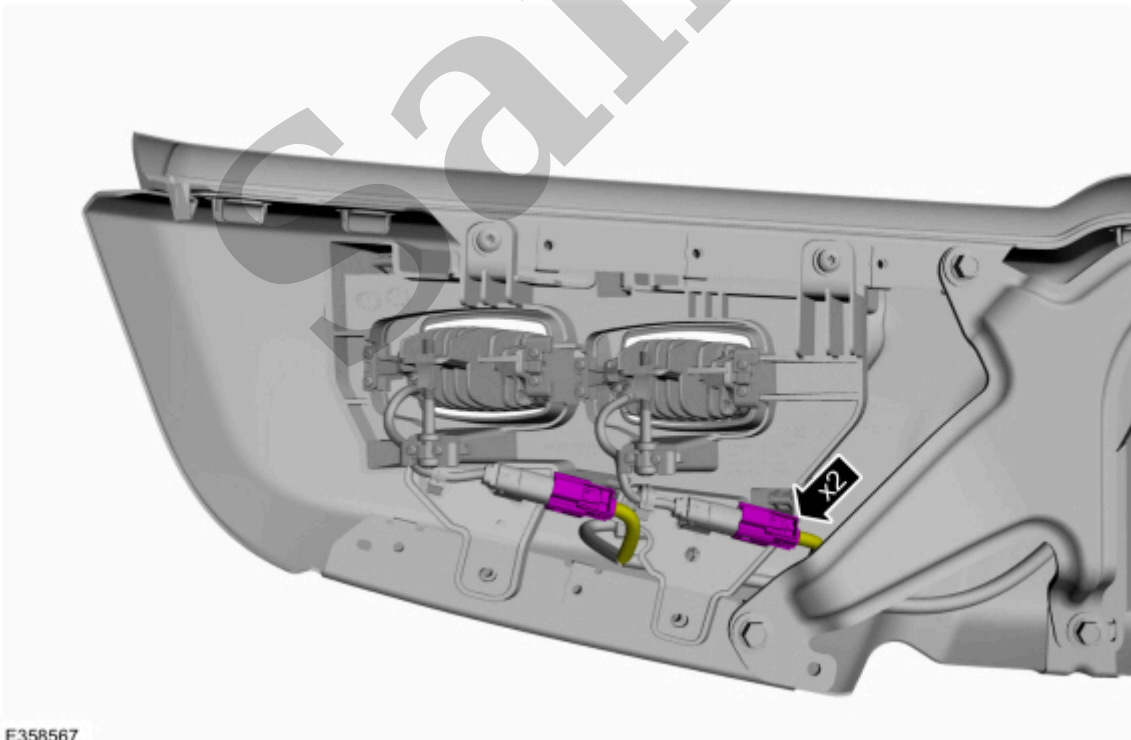


E358566

[Click here to learn about symbols, color coding, and icons used in this manual.](#)

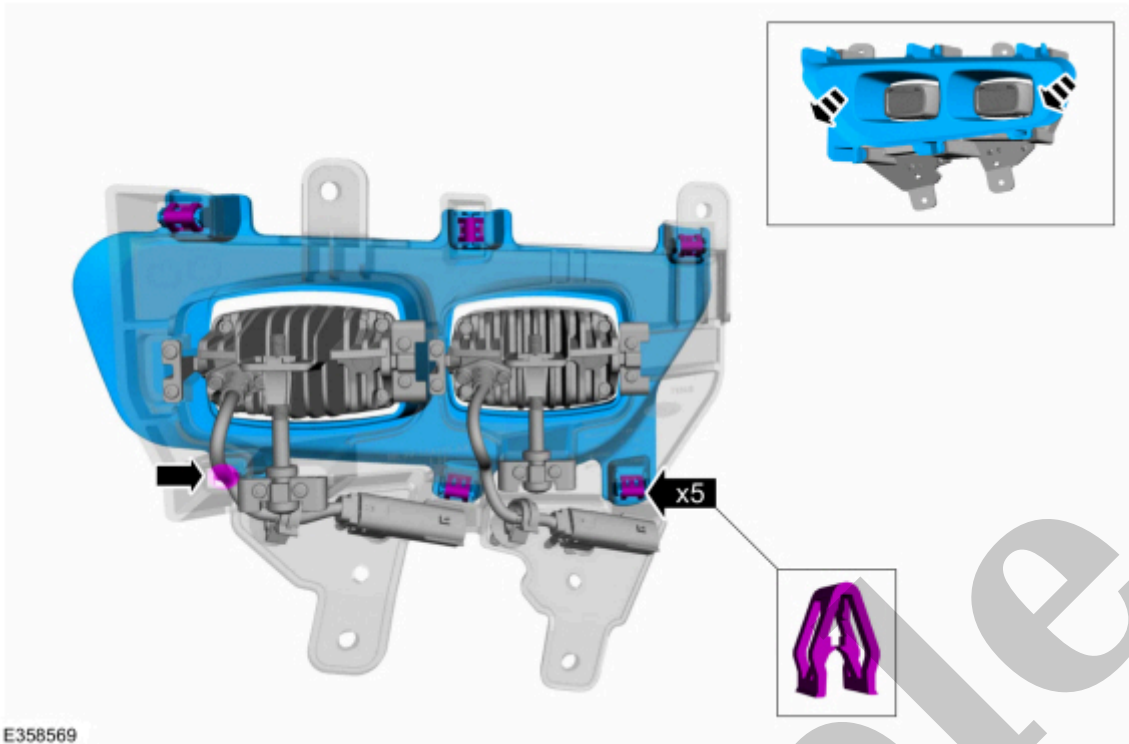
4. On both sides.

Disconnect the fog lamp electrical connectors.



E358567

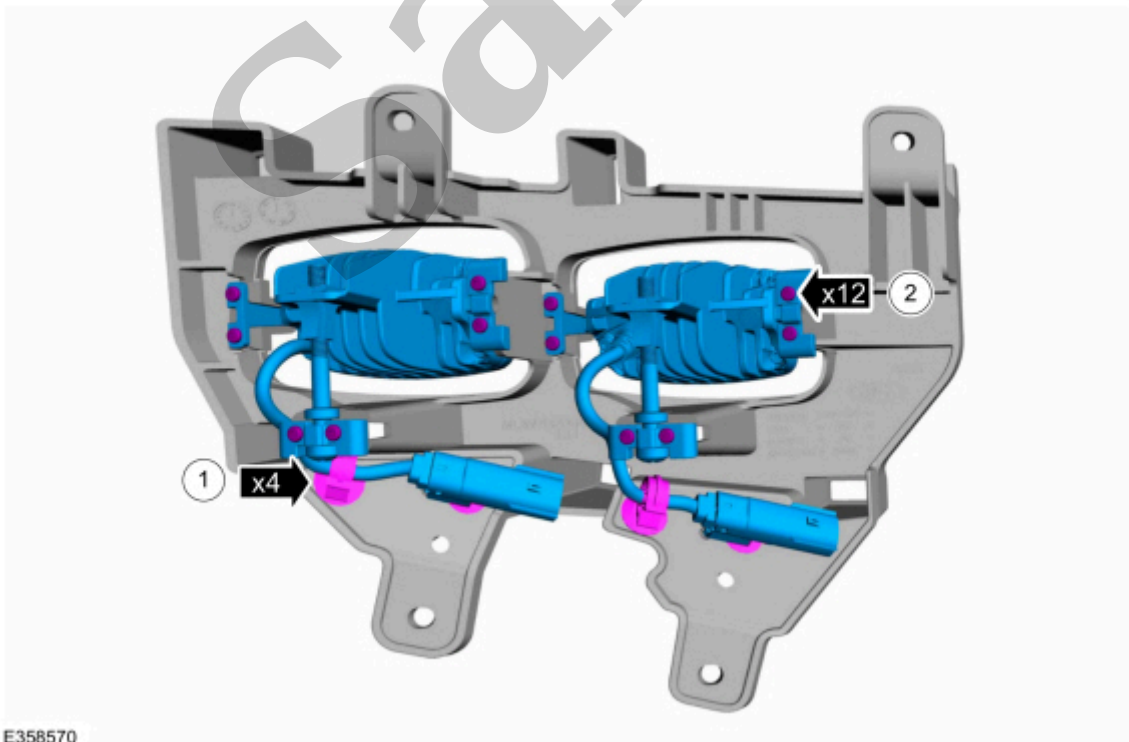
[Click here to learn about symbols, color coding, and icons used in this manual.](#)



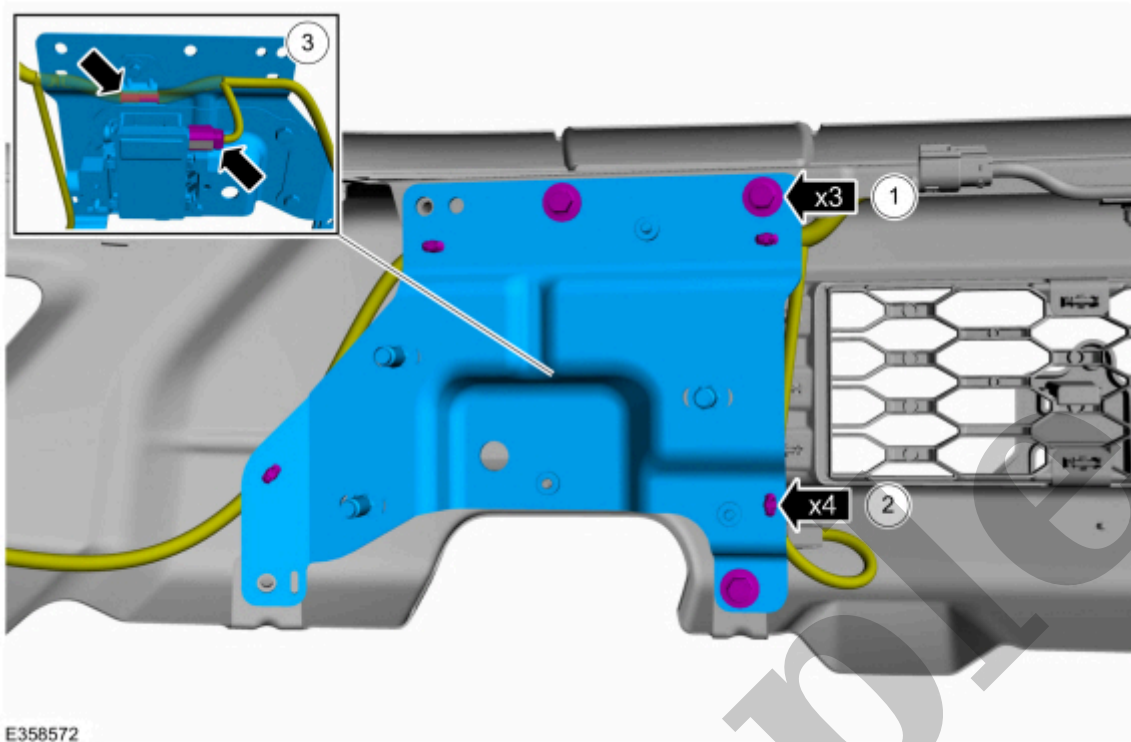
[Click here to learn about symbols, color coding, and icons used in this manual.](#)

7. On both sides.

1. Detach the wiring harness retainers.
2. Remove the screws and the fog lamp assemblies.



Disconnect the CCM (cruise control module) electrical connector and detach the wiring harness retainer.



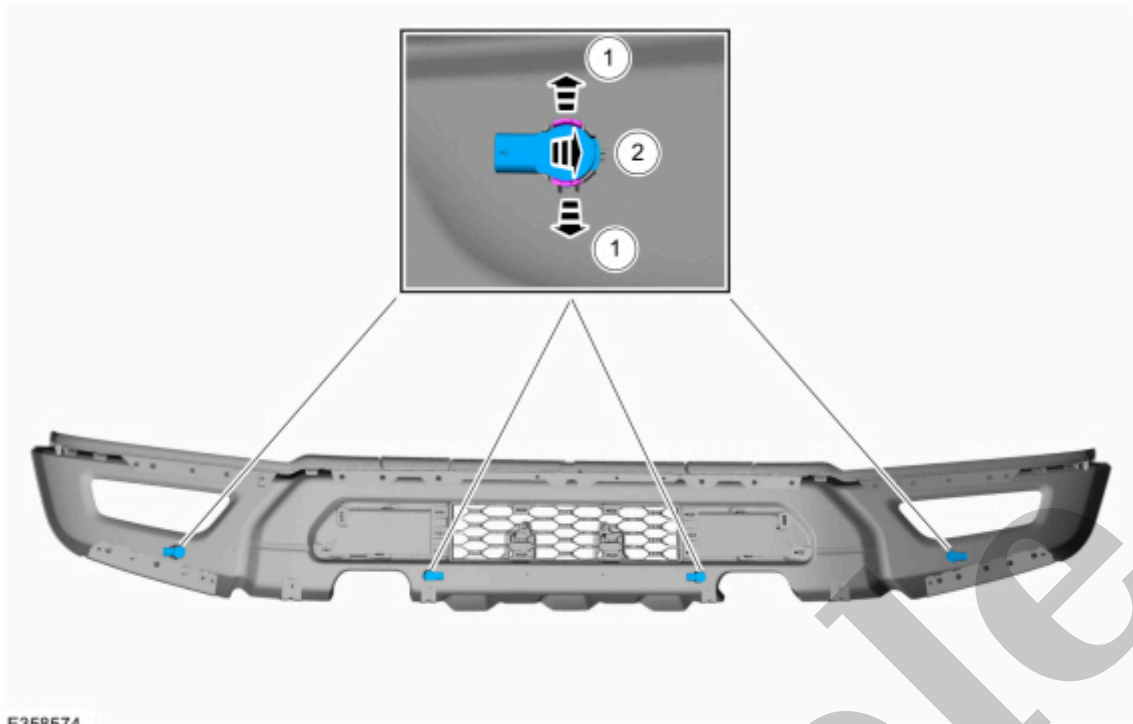
[Click here to learn about symbols, color coding, and icons used in this manual.](#)

Vehicles With: Front Parking Aid

10. NOTE

The number and location of wiring harness retainers will vary depending on option content.

1. Disconnect the front parking aid sensor electrical connectors.
2. Detach the wiring harness retainers and remove the front bumper wiring harness.



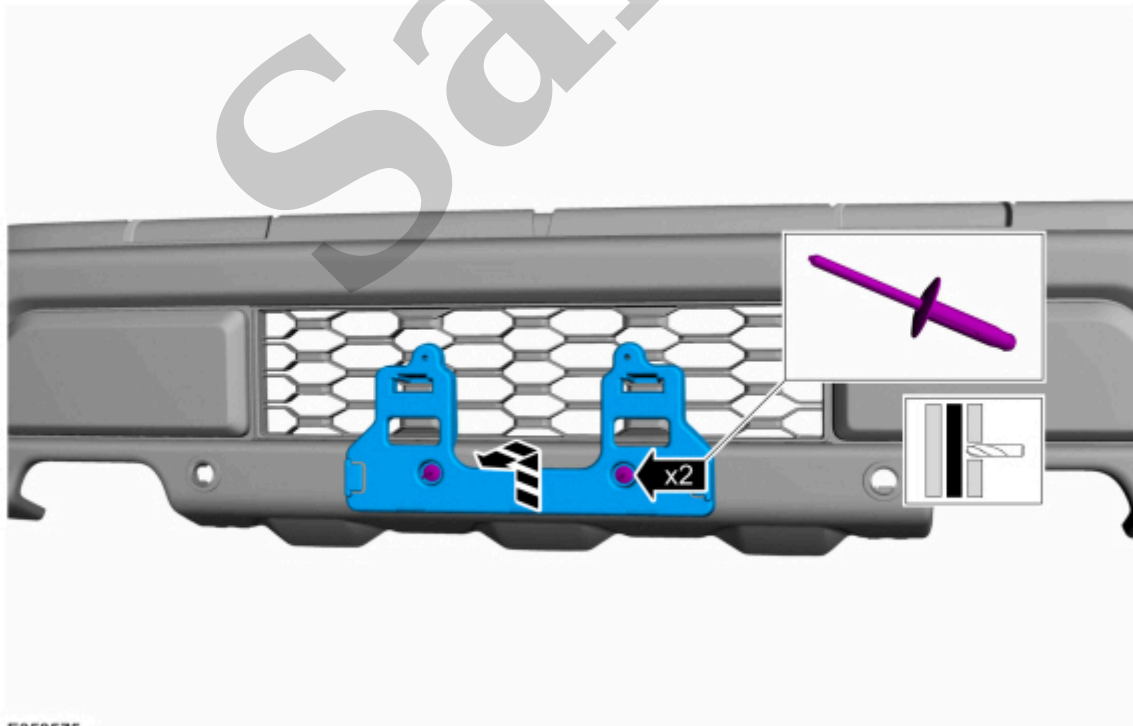
E358574

[Click here to learn about symbols, color coding, and icons used in this manual.](#)

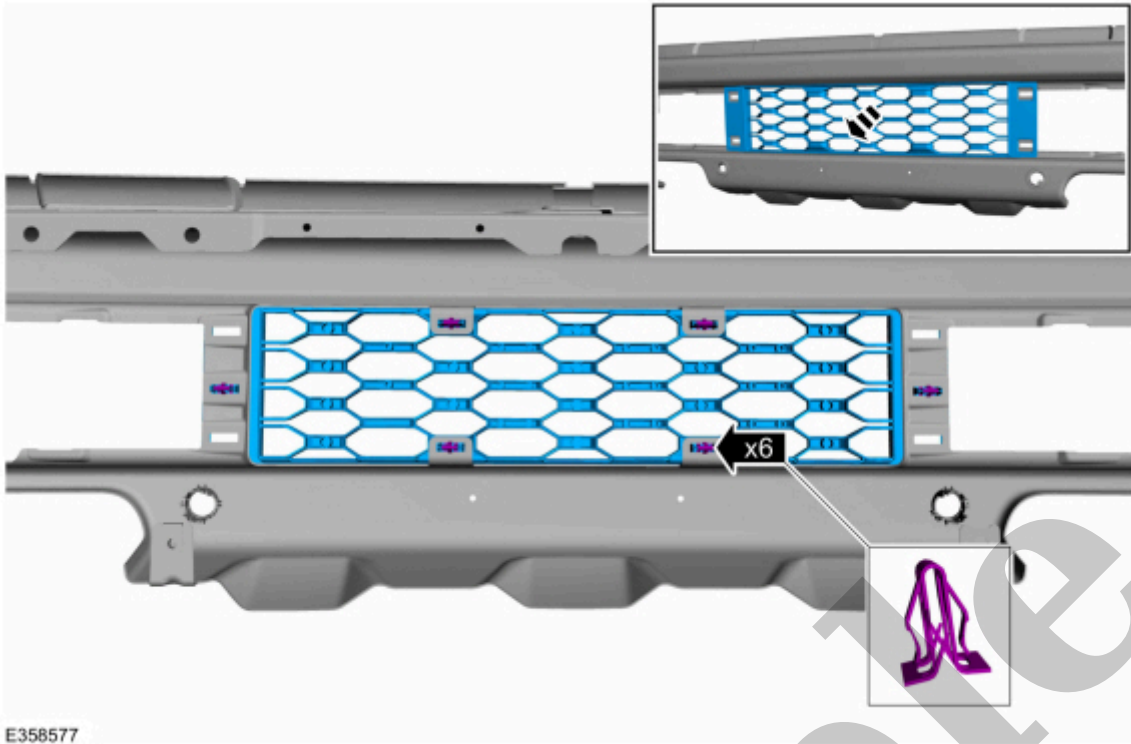
All vehicles

12. Drill the rivets and remove the license plate bracket.

Use the General Equipment: Electric Drill



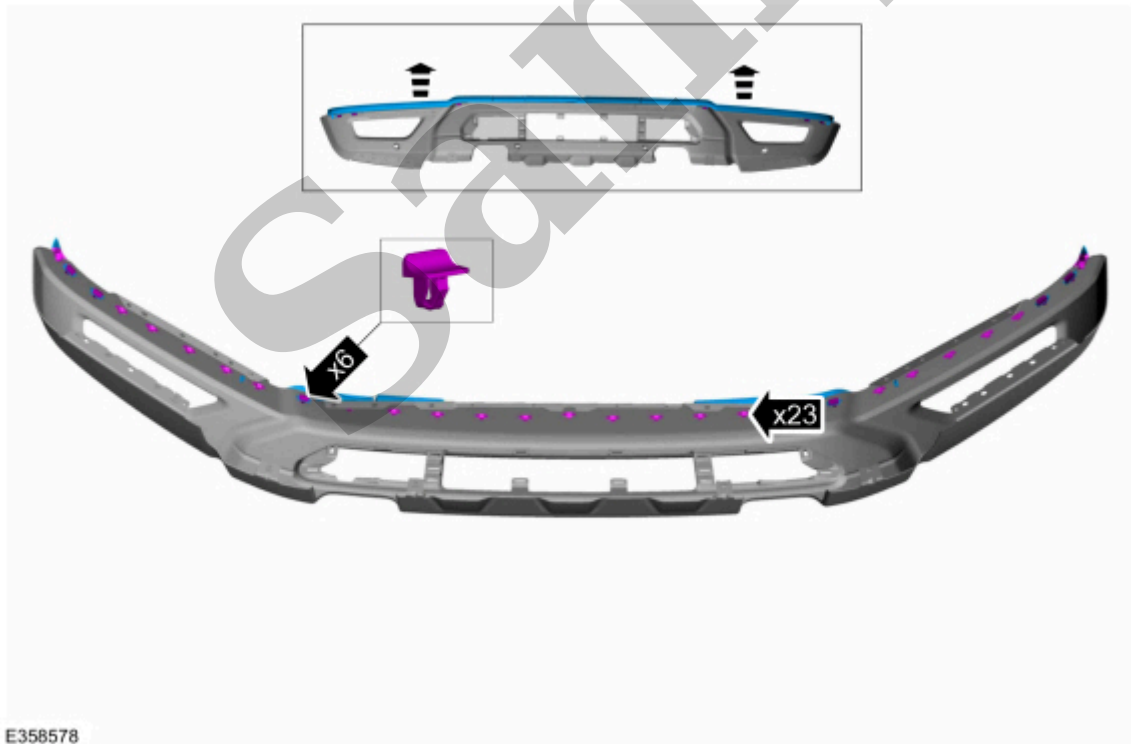
E358575



E358577

[Click here to learn about symbols, color coding, and icons used in this manual.](#)

15. Release the clips, the tabs and remove the front bumper valence panel.



E358578

[Click here to learn about symbols, color coding, and icons used in this manual.](#)

ASSEMBLY

Front Bumper

501-19 Bumpers	2022 F-150
Disassembly and Assembly	Procedure revision date: 10/2/2020

Front Bumper

DISASSEMBLY

NOTE

Disassembly steps in this procedure may contain assembly details.

All vehicles

1. Remove the front bumper.
Refer to: [Front Bumper](#)(501-19 Bumpers, Removal and Installation).
2. If equipped.
Remove the tow hook covers.
Torque : 9 lb.in (1 Nm)