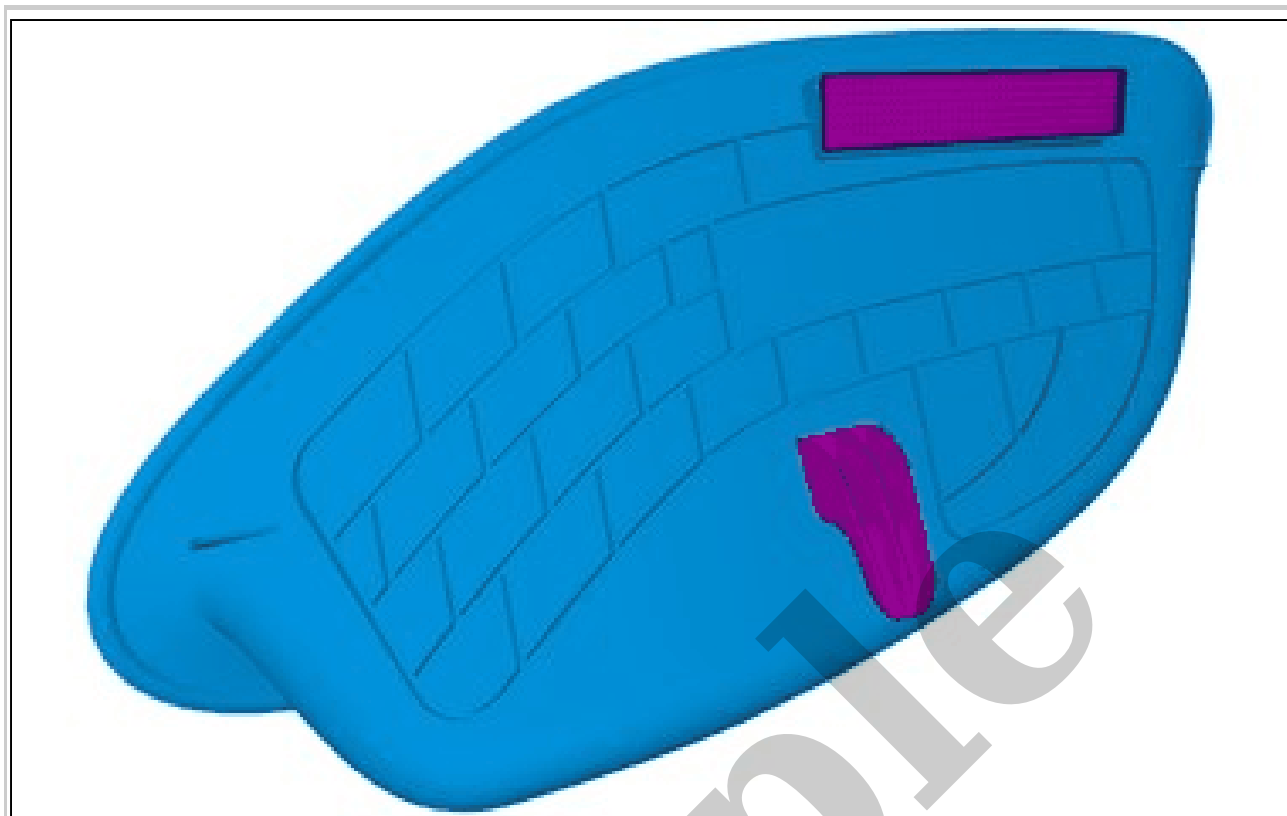


Your Ultimate Source for OEM Repair Manuals

FactoryManuals.net is a great resource for anyone who wants to save money on repairs by doing their own work. The manuals provide detailed instructions and diagrams that make it easy to understand how to fix a vehicle.

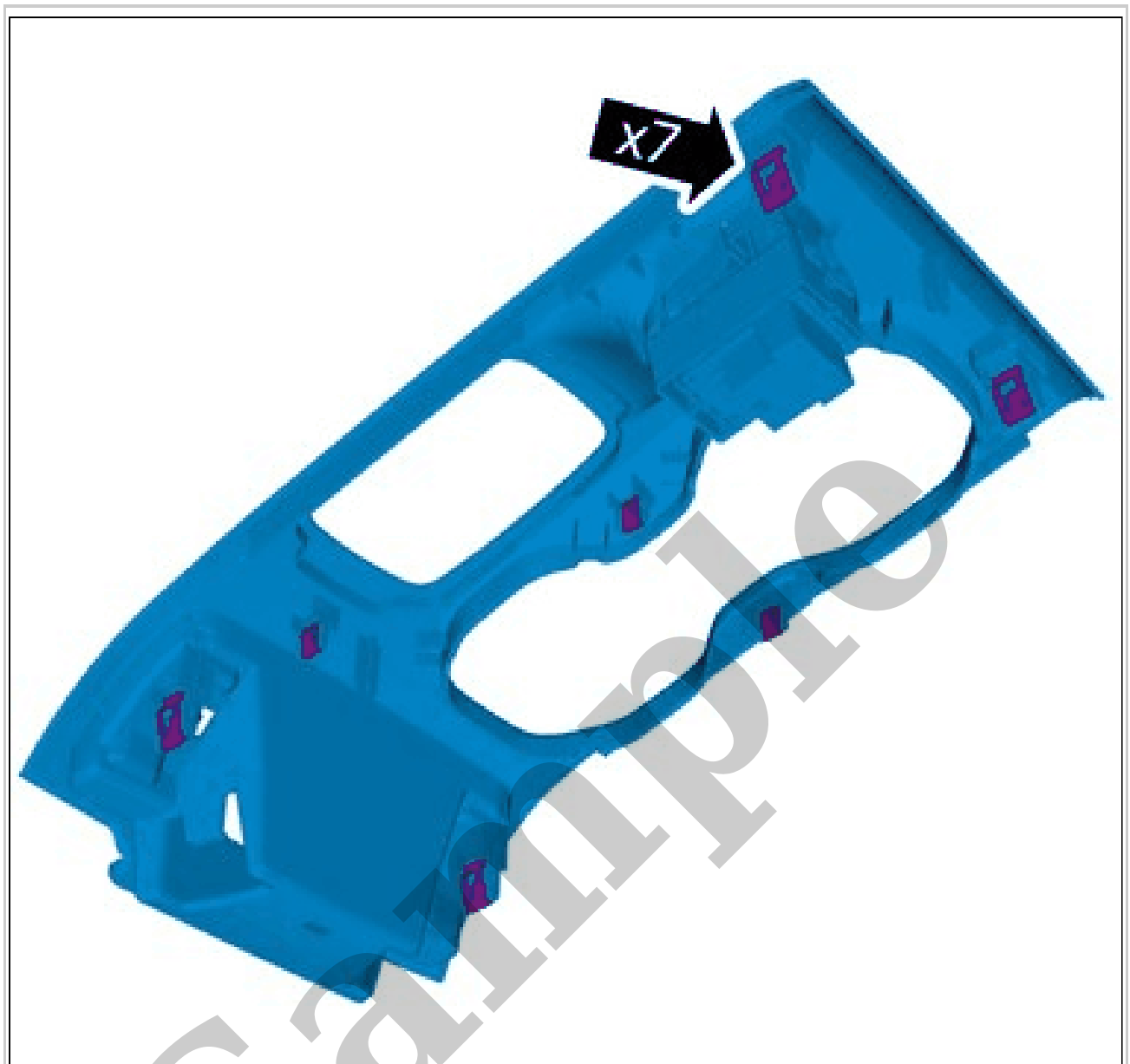
1999 VOLVO V70 OEM Service and Repair Workshop Manual

[Go to manual page](#)



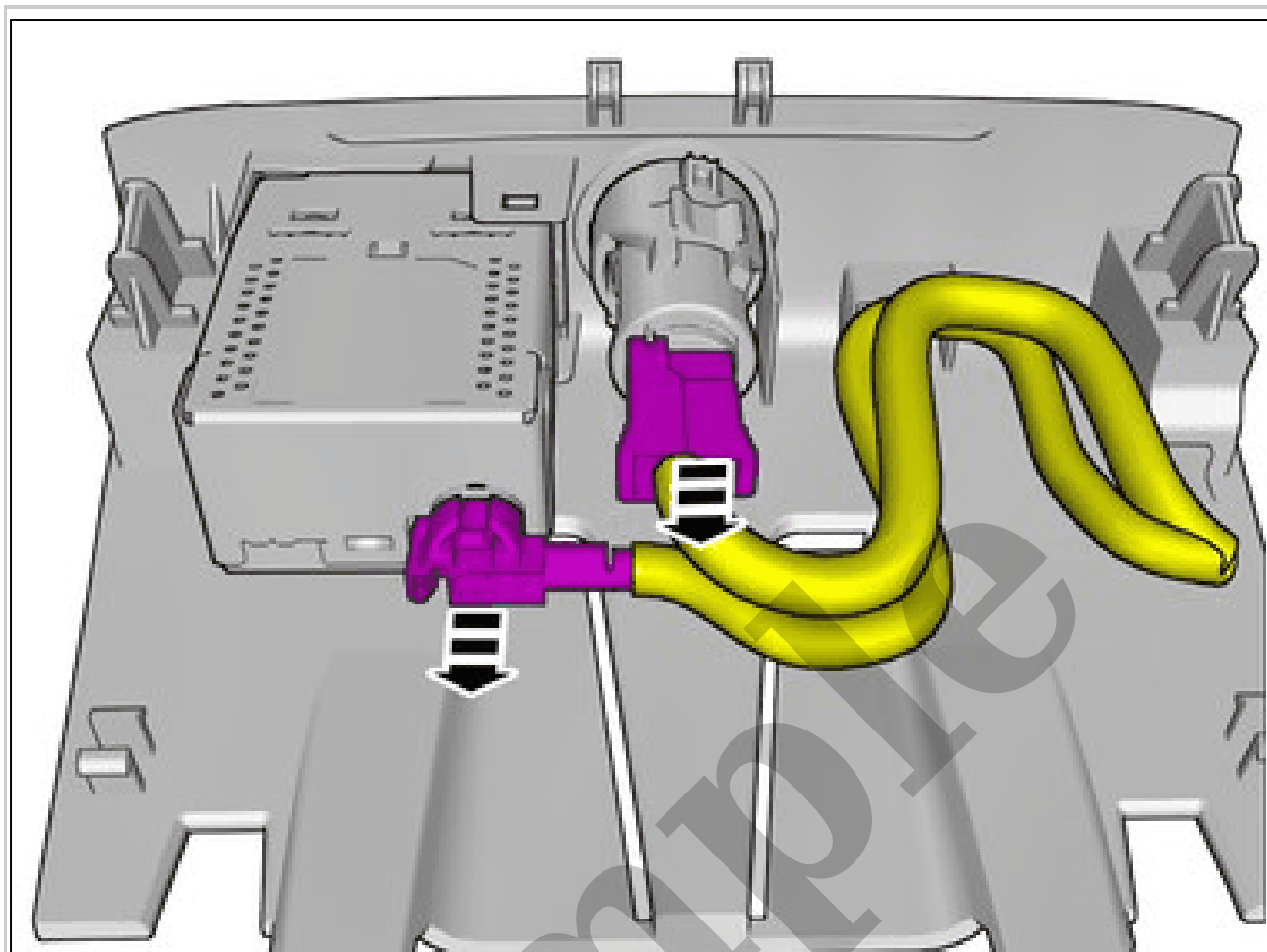
Courtesy of VOLVO CARS CORPORATION

NOTE: *The graphic shows the back of the component before removal.*



Courtesy of VOLVO CARS CORPORATION

NOTE: *The graphic shows the back of the component before removal.*

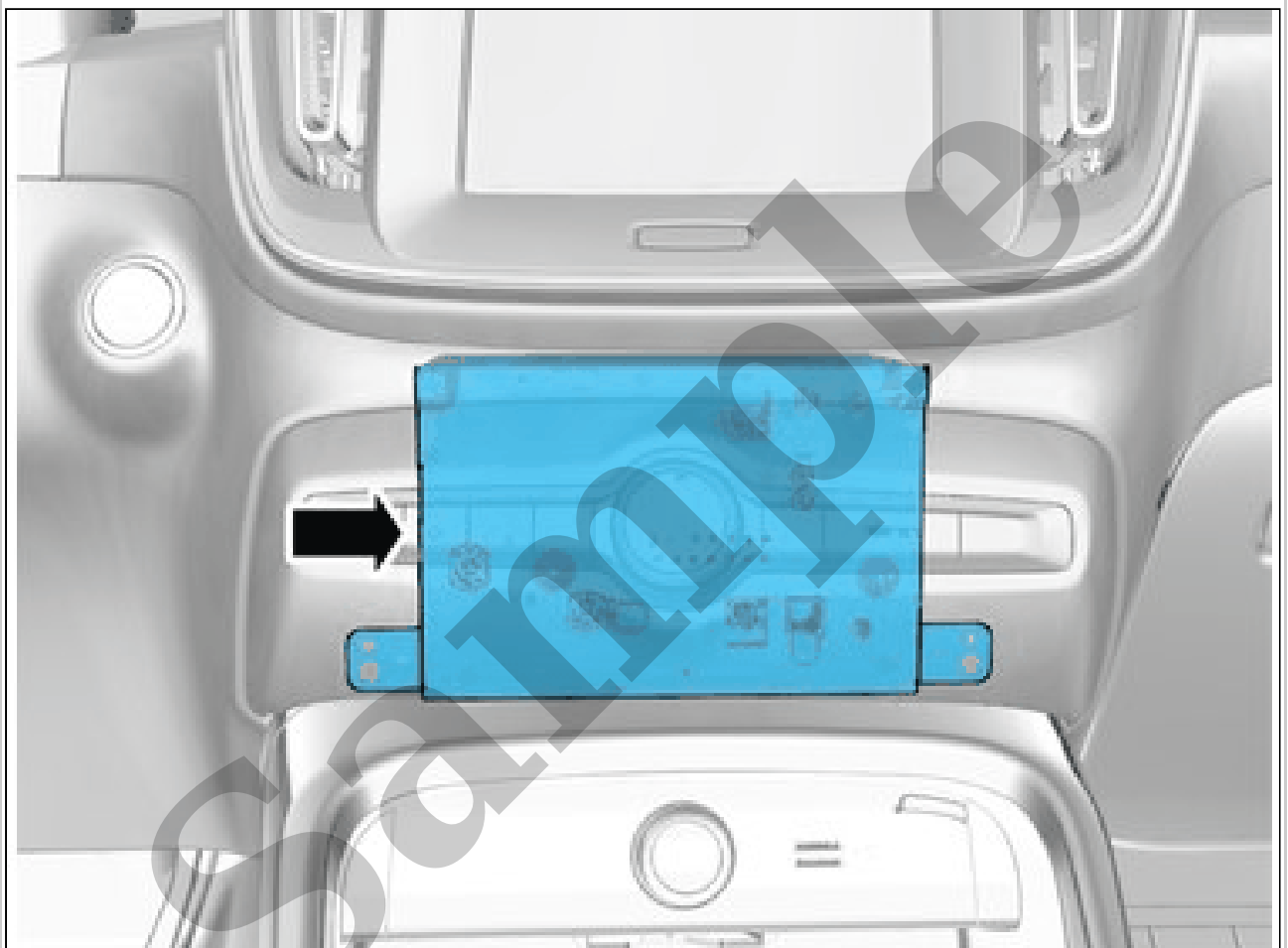


Courtesy of VOLVO CARS CORPORATION

Disconnect the connectors.

INFOTAINMENT HEAD UNIT > INFOTAINMENT HEAD UNIT (IHU) [2022, E400V6] > REMOVAL

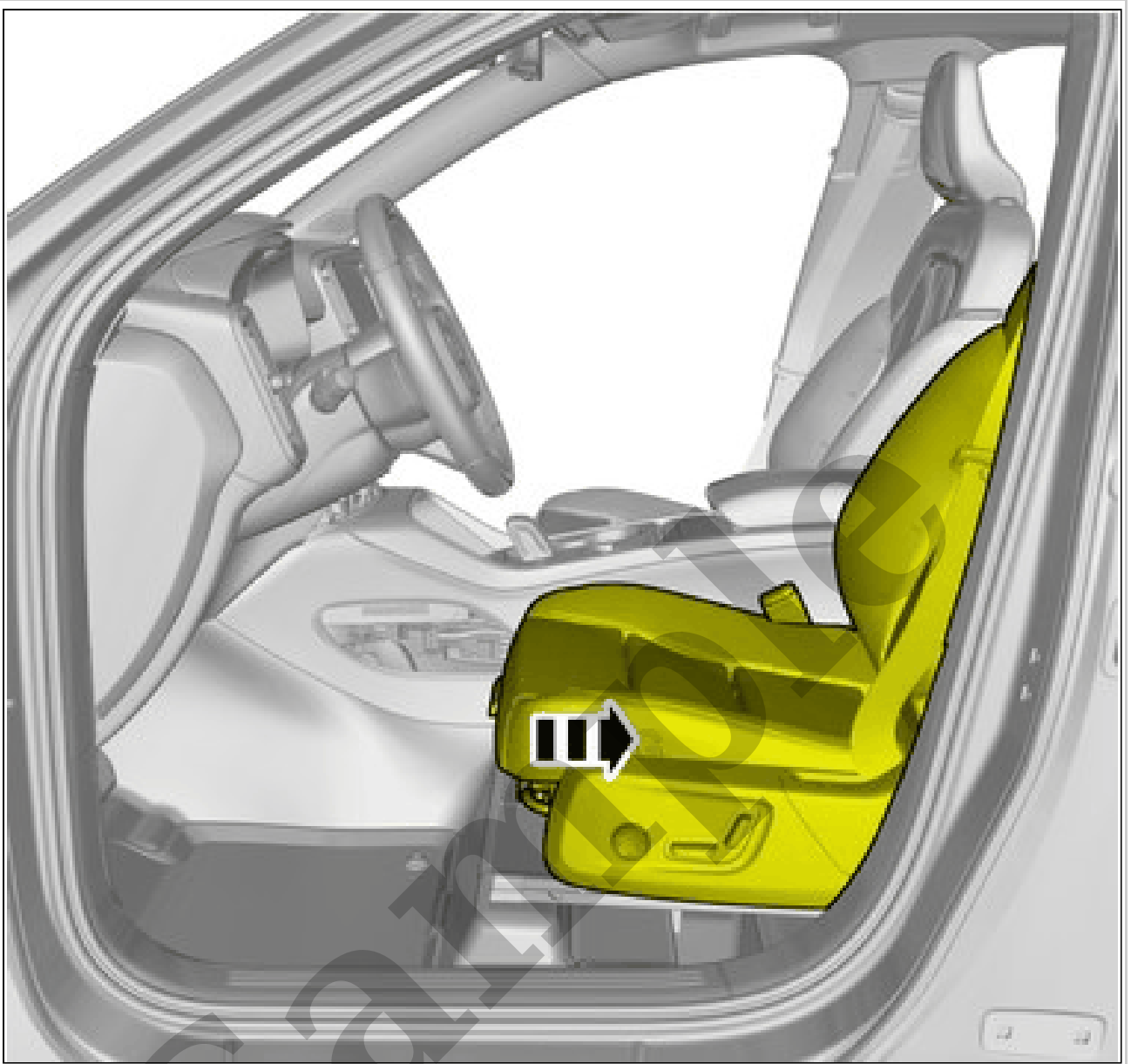
NOTE: Removal steps in this procedure may contain installation details.



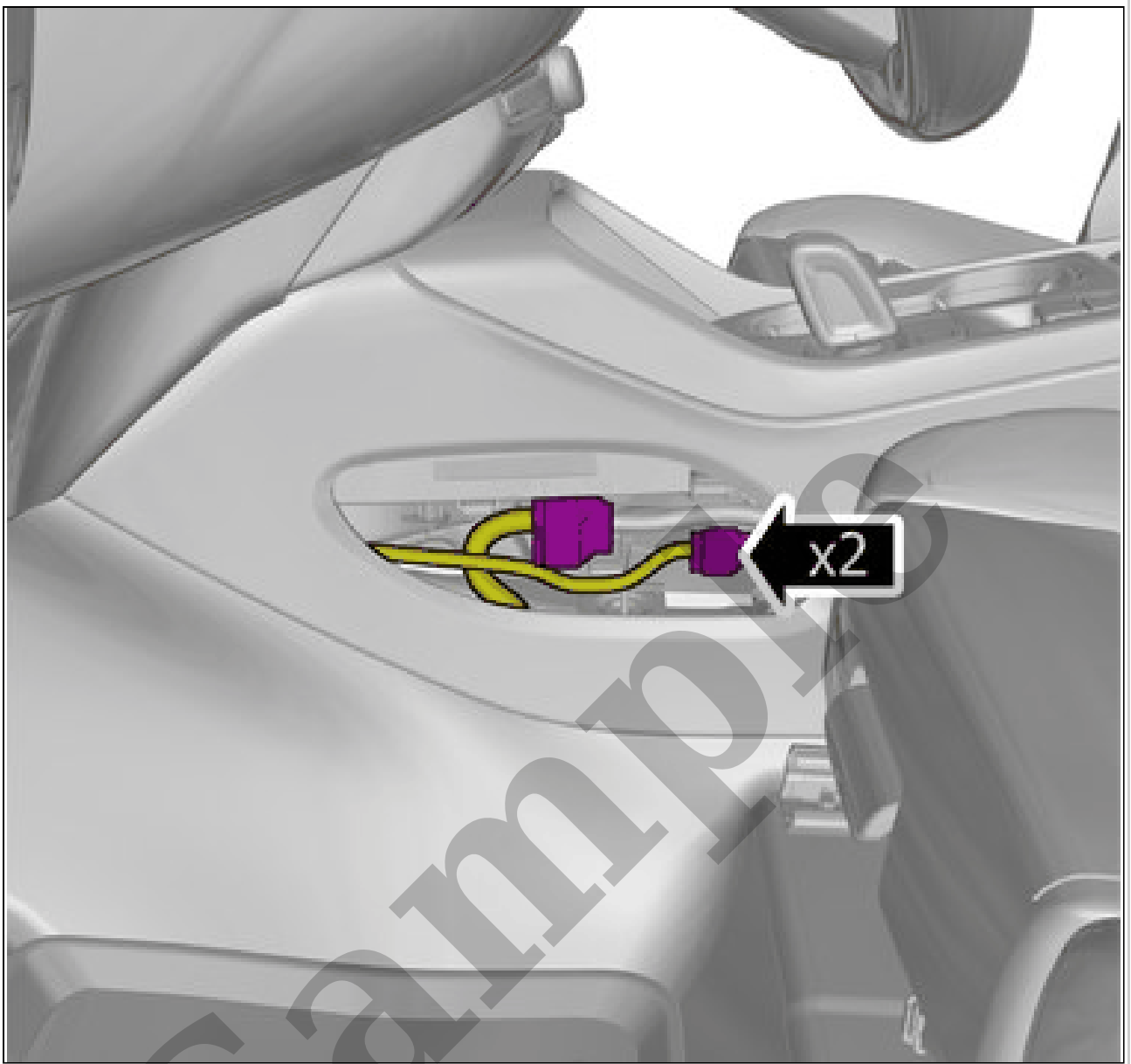
Courtesy of VOLVO CARS CORPORATION

NOTE: Orientation view

NOTE: The following steps are only necessary when installing a new component.

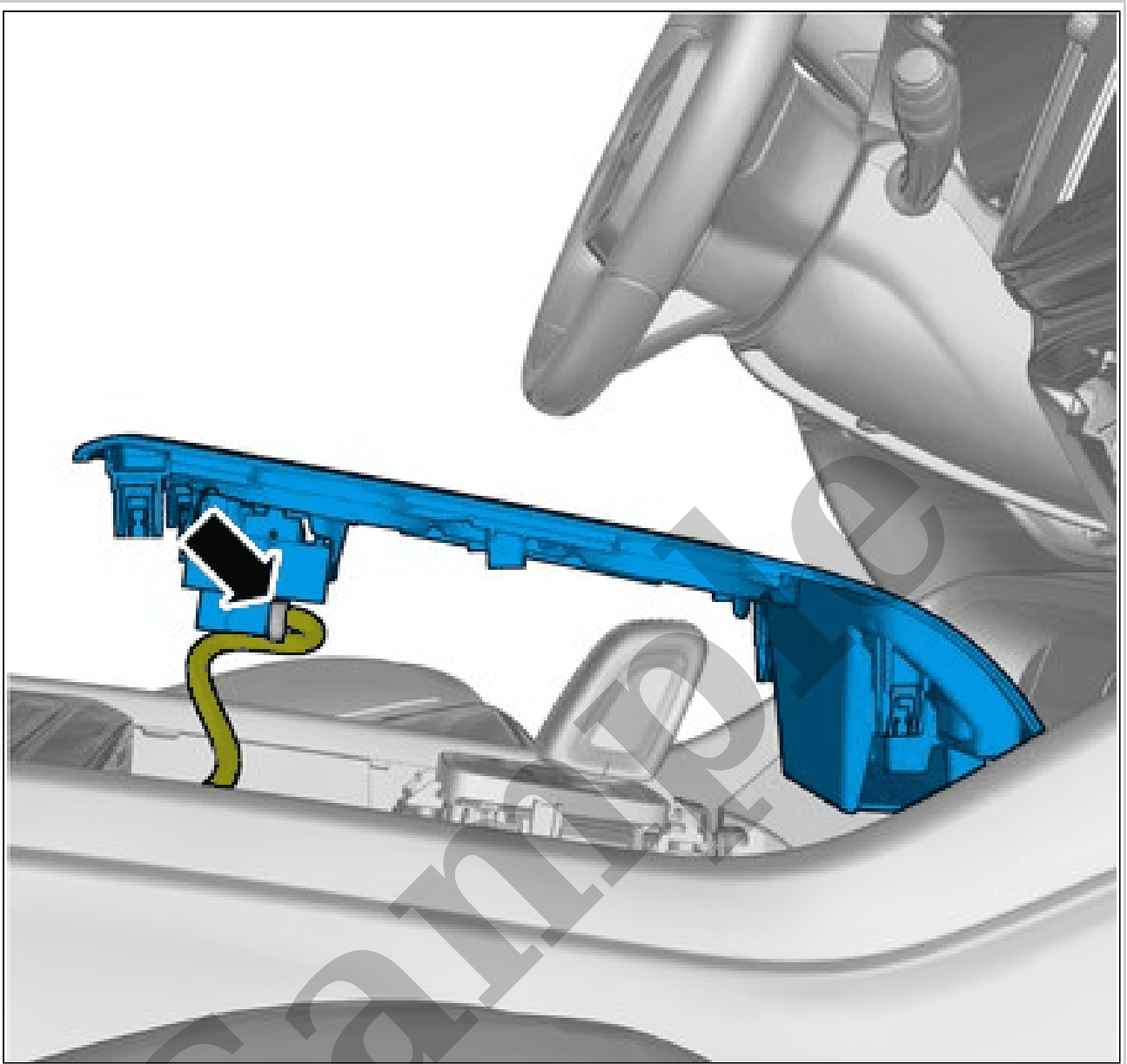


Courtesy of VOLVO CARS CORPORATION



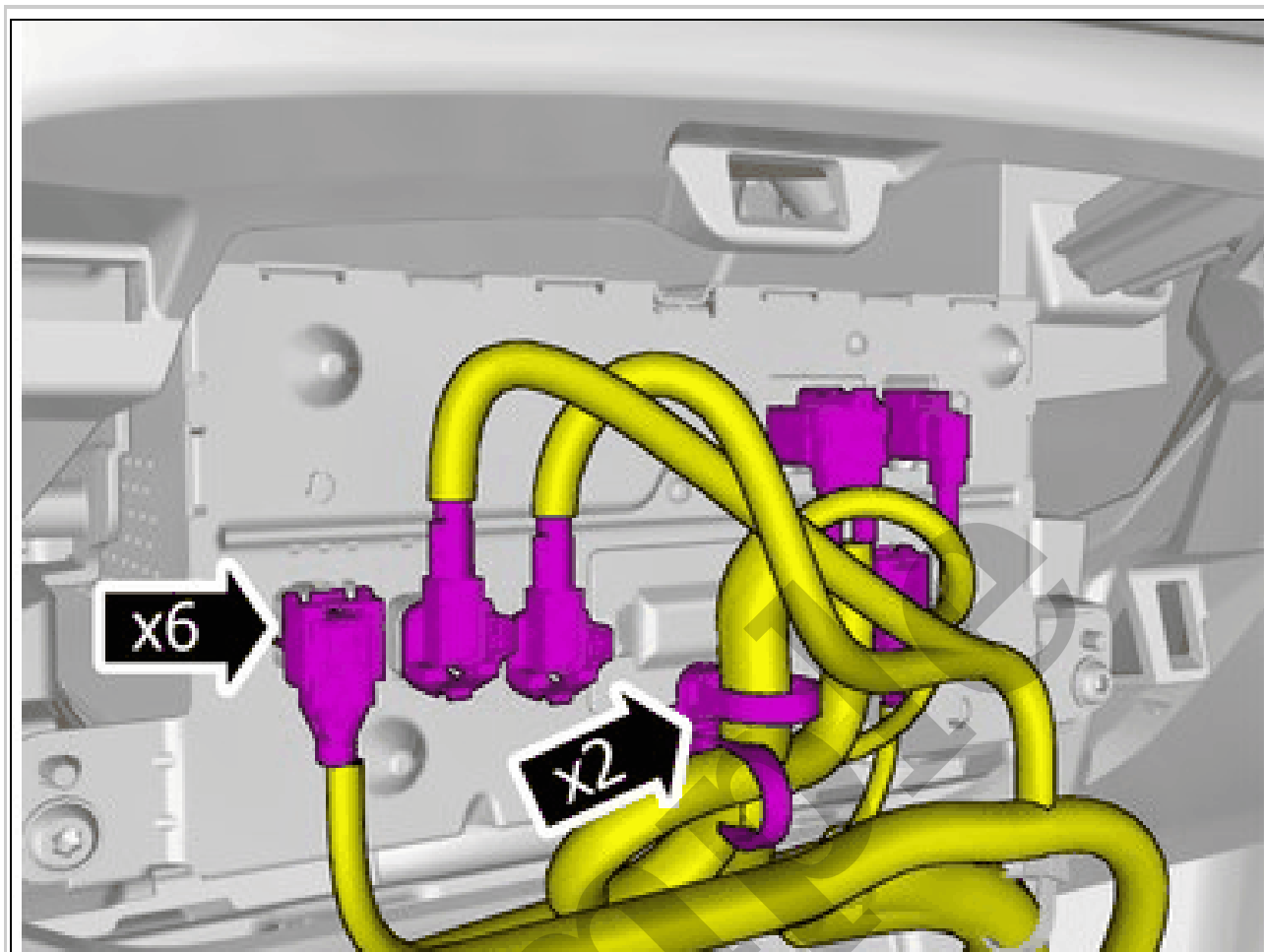
Courtesy of VOLVO CARS CORPORATION

Disconnect the connectors.



Courtesy of VOLVO CARS CORPORATION

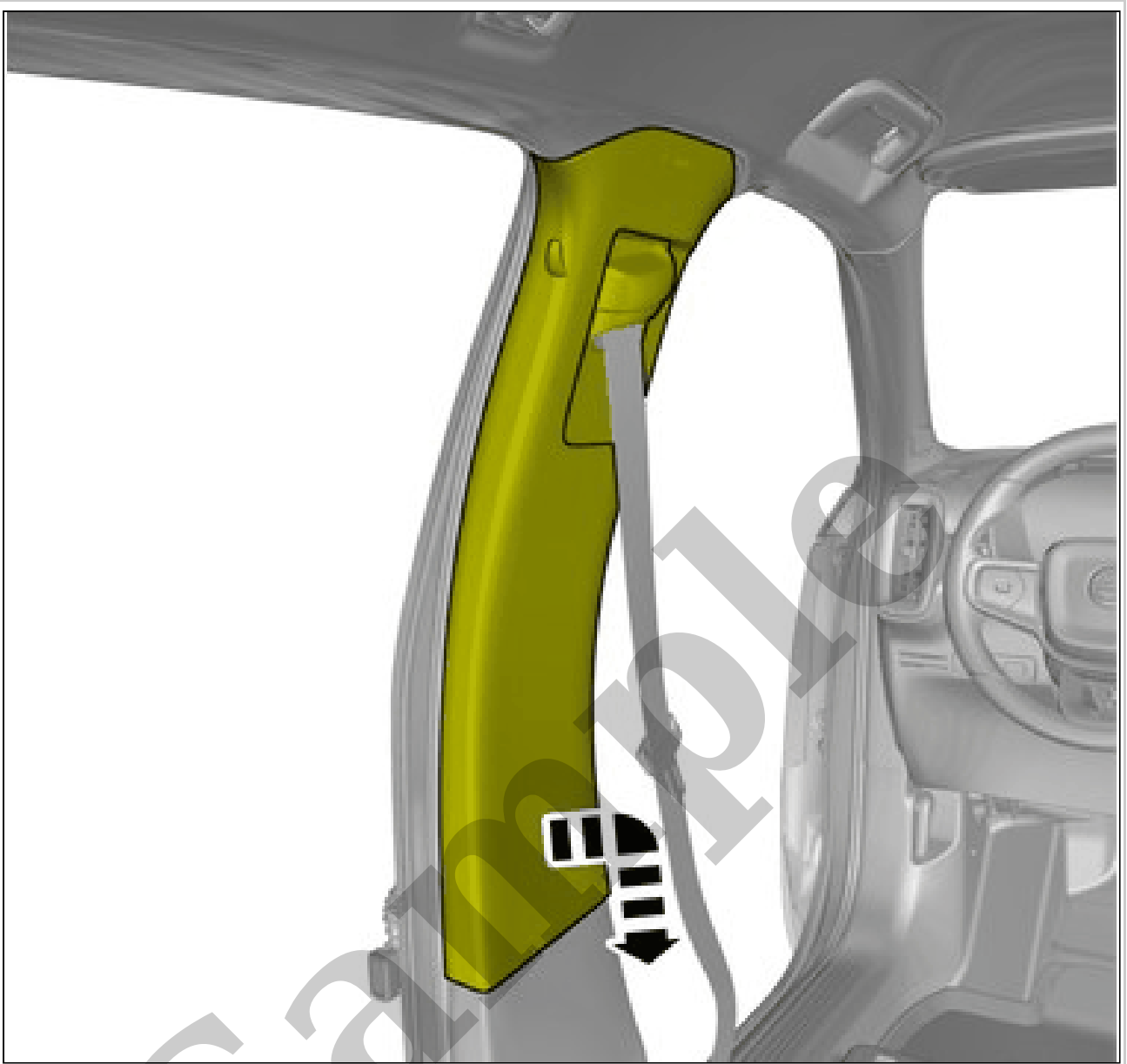
Disconnect the connector.
Remove the marked part.



Courtesy of VOLVO CARS CORPORATION

CAUTION: *The number of connectors, cables and cable ties may vary depending on the vehicle specification.*

Loosen the clips.
Disconnect the connectors.



Courtesy of VOLVO CARS CORPORATION

Loosen the marked detail.
On both sides.