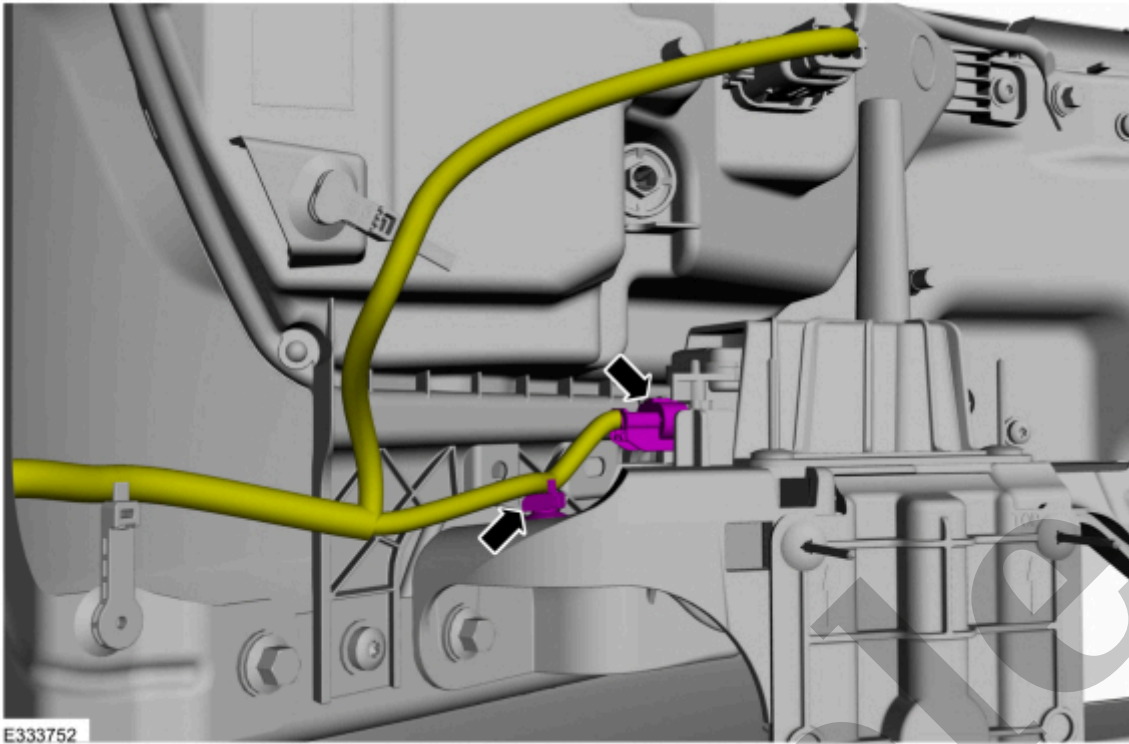


# Your Ultimate Source for OEM Repair Manuals

FactoryManuals.net is a great resource for anyone who wants to save money on repairs by doing their own work. The manuals provide detailed instructions and diagrams that make it easy to understand how to fix a vehicle.

## 1999 FORD Crown Victoria OEM Service and Repair Workshop Manual

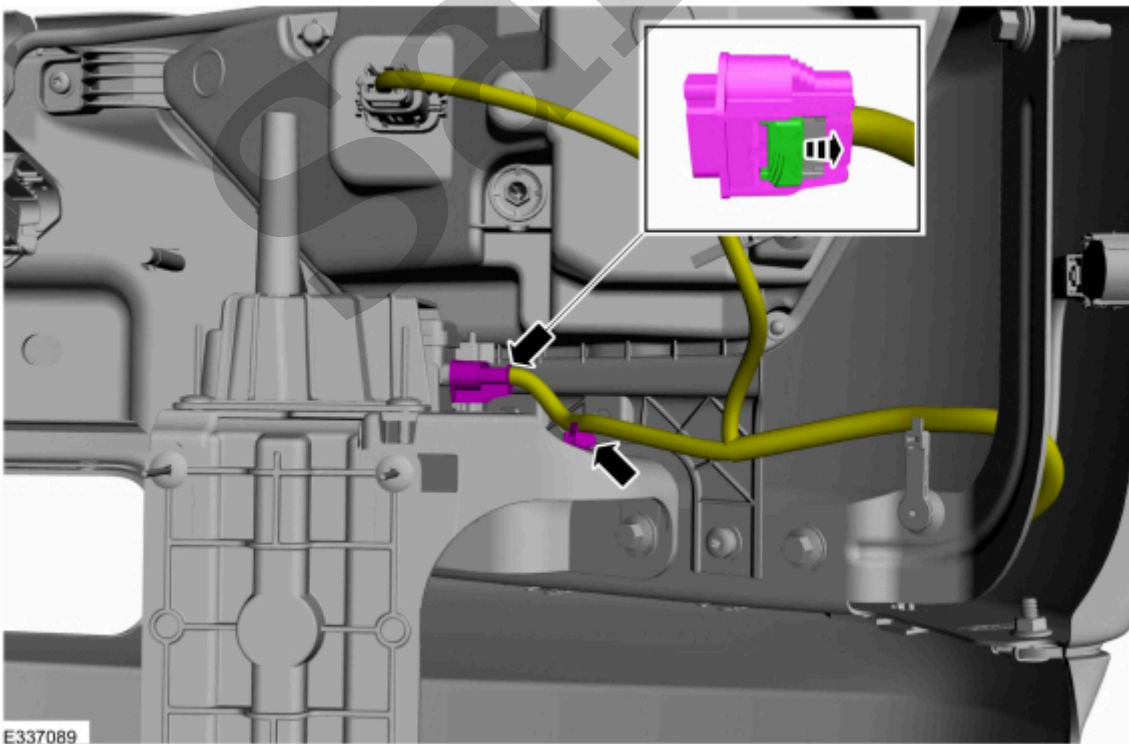
[Go to manual page](#)

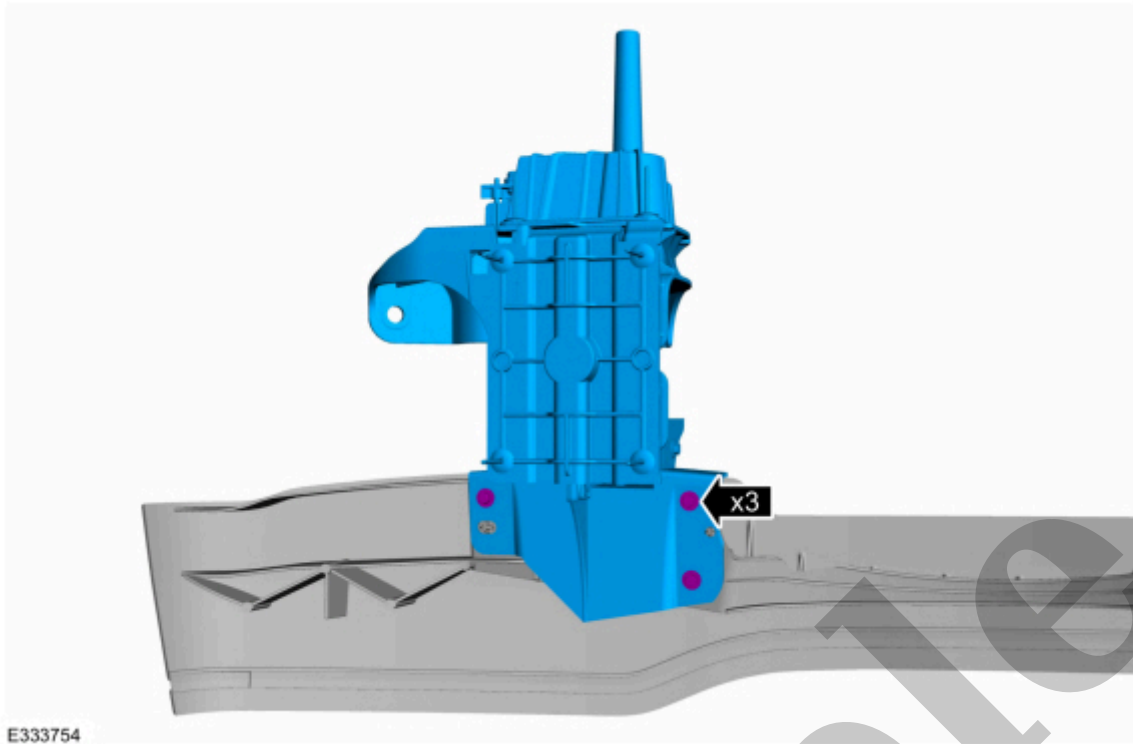


[Click here to learn about symbols, color coding, and icons used in this manual.](#)

4. RH (right-hand) side.

Release the locking tab and disconnect the AAD (active air dam) electrical connector. Detach the retainer and position the wiring harness aside.





[Click here to learn about symbols, color coding, and icons used in this manual.](#)

#### All vehicles

7. On both sides.

1. If equipped.

Disconnect the retainer and position the wiring harness aside.

2. Remove the bolts and the front bumper outer bracket.

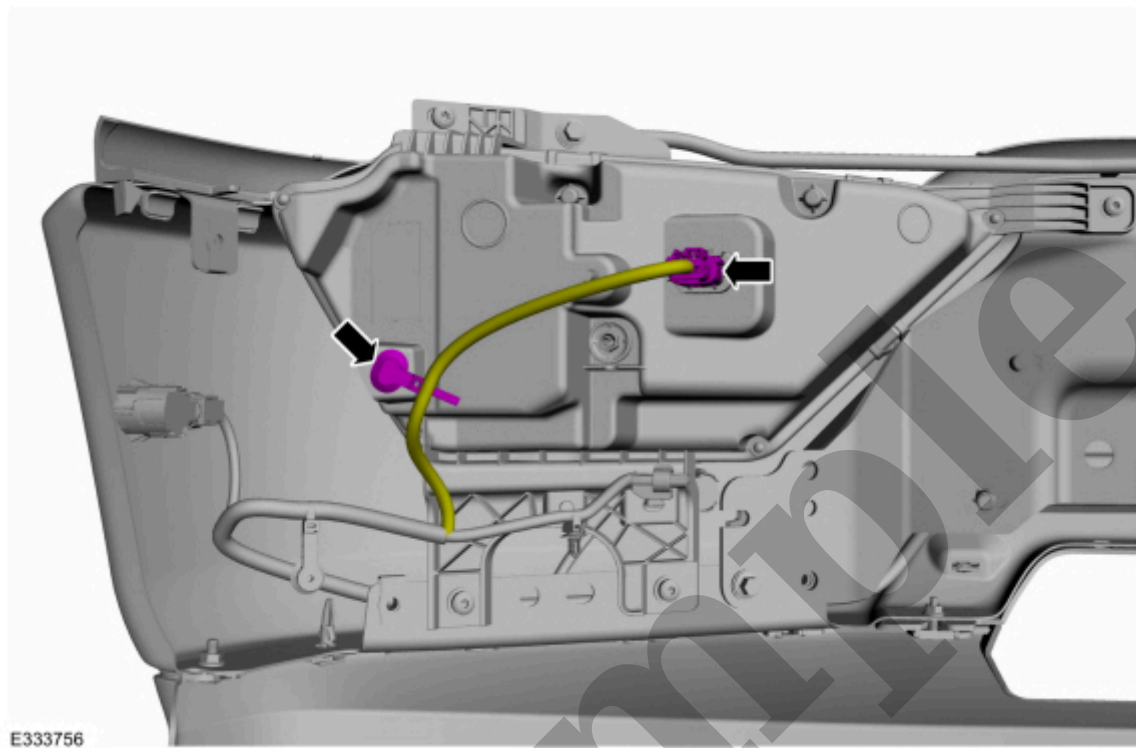
**Torque** : 18 lb.ft (25 Nm)

[Click here to learn about symbols, color coding, and icons used in this manual.](#)

### Vehicles With: Front Fog Lamps

9. On both sides.

Disconnect the fog lamp electrical connector, detach the retainer and position the wiring harness aside.

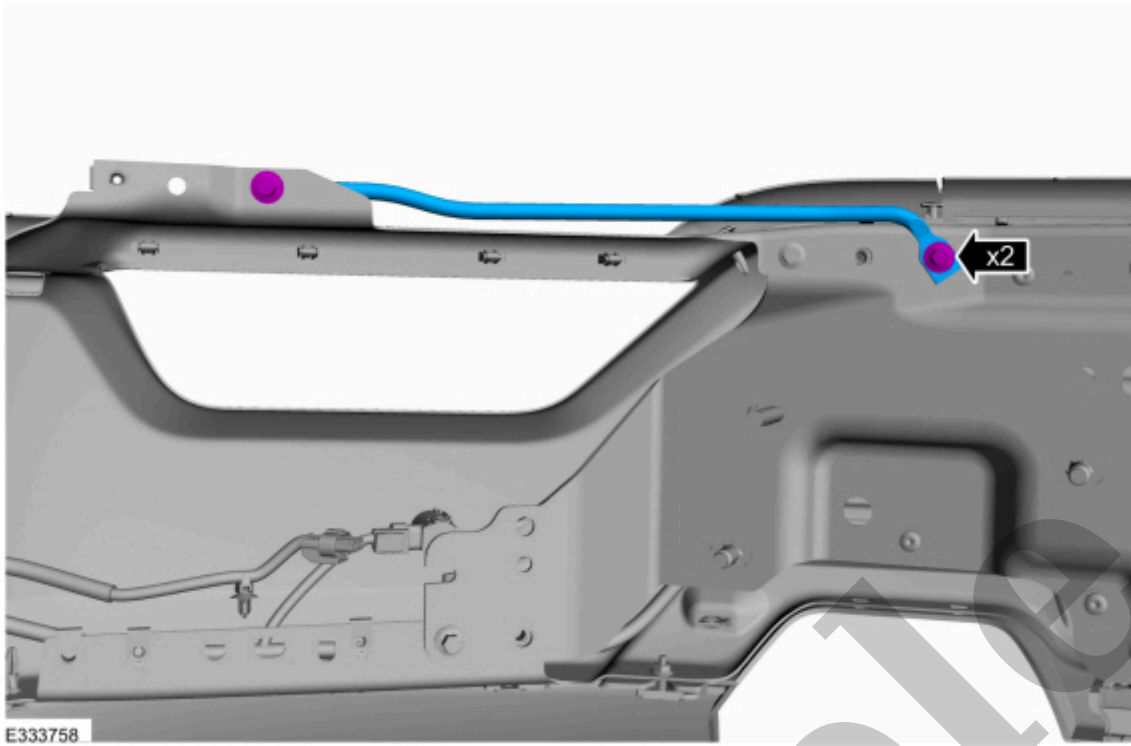


[Click here to learn about symbols, color coding, and icons used in this manual.](#)

10. On both sides.

Remove the bolts and the fog lamp assembly.

**Torque** : 44 lb.in (5 Nm)



[Click here to learn about symbols, color coding, and icons used in this manual.](#)

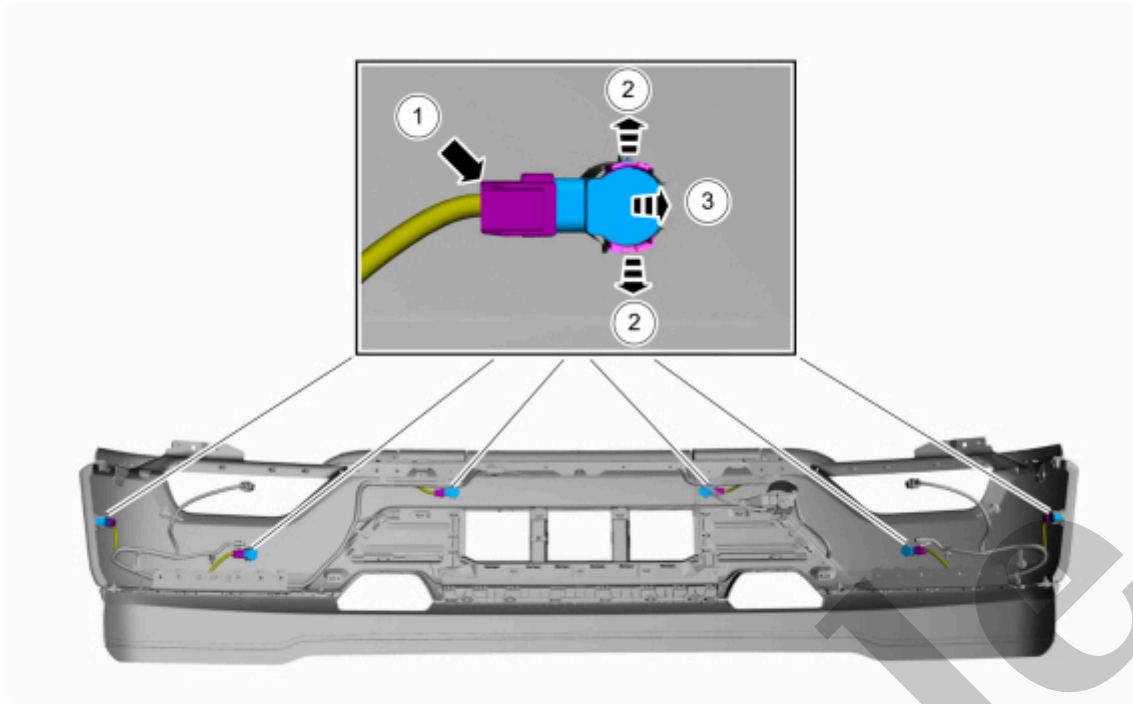
12. 1. On both sides.

Remove the bolts and the front bumper bracket.

**Torque** : 18 lb.ft (25 Nm)

2. If equipped.

Disconnect the CCM (cruise control module) electrical connector.



E333760

[Click here to learn about symbols, color coding, and icons used in this manual.](#)

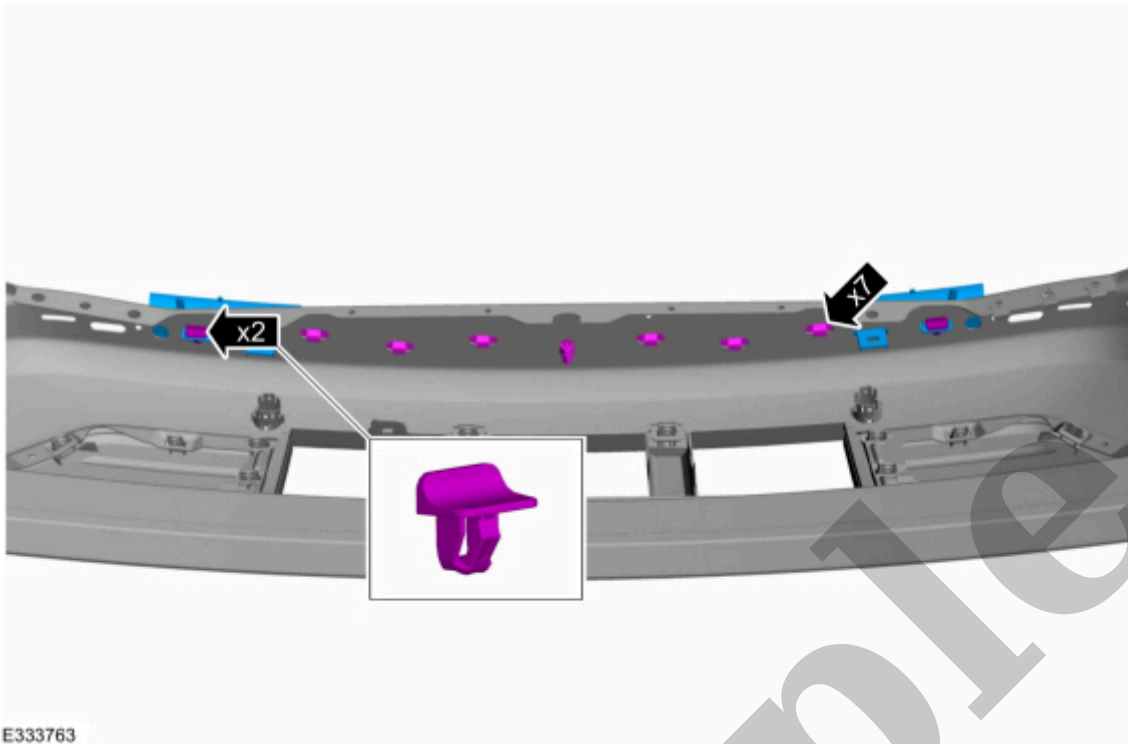
#### All vehicles

14. **NOTE**

The number and location of wiring harness retainers will vary depending on option content.

Separate the front bumper cover wiring harness retainers and remove the harness.

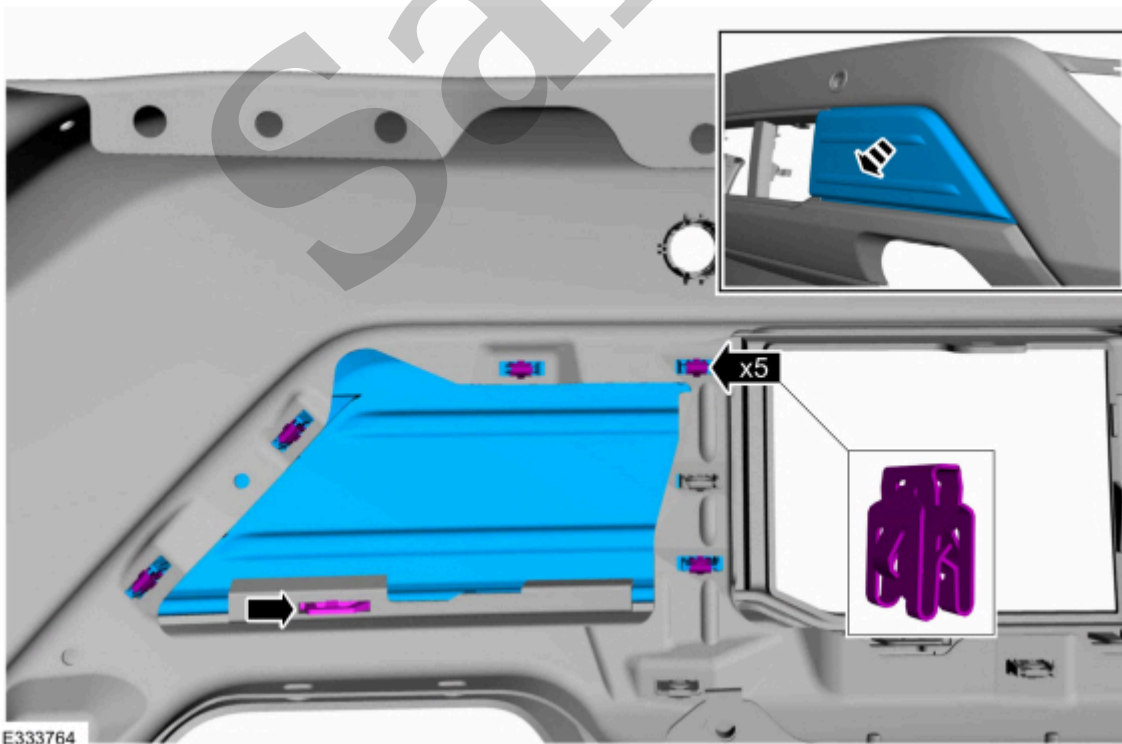
16. Release the clips, the tabs and remove the front bumper upper valence panel.

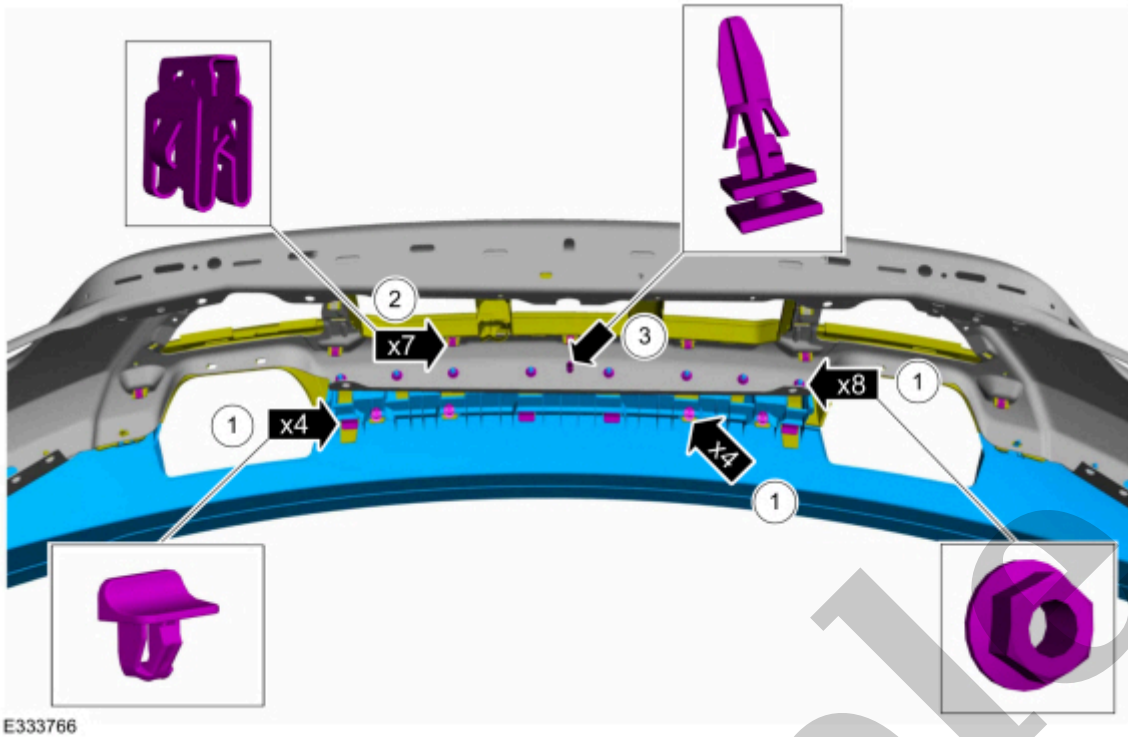


[Click here to learn about symbols, color coding, and icons used in this manual.](#)

17. On both sides.

Release the clips, the tab and remove the front bumper trim panel.

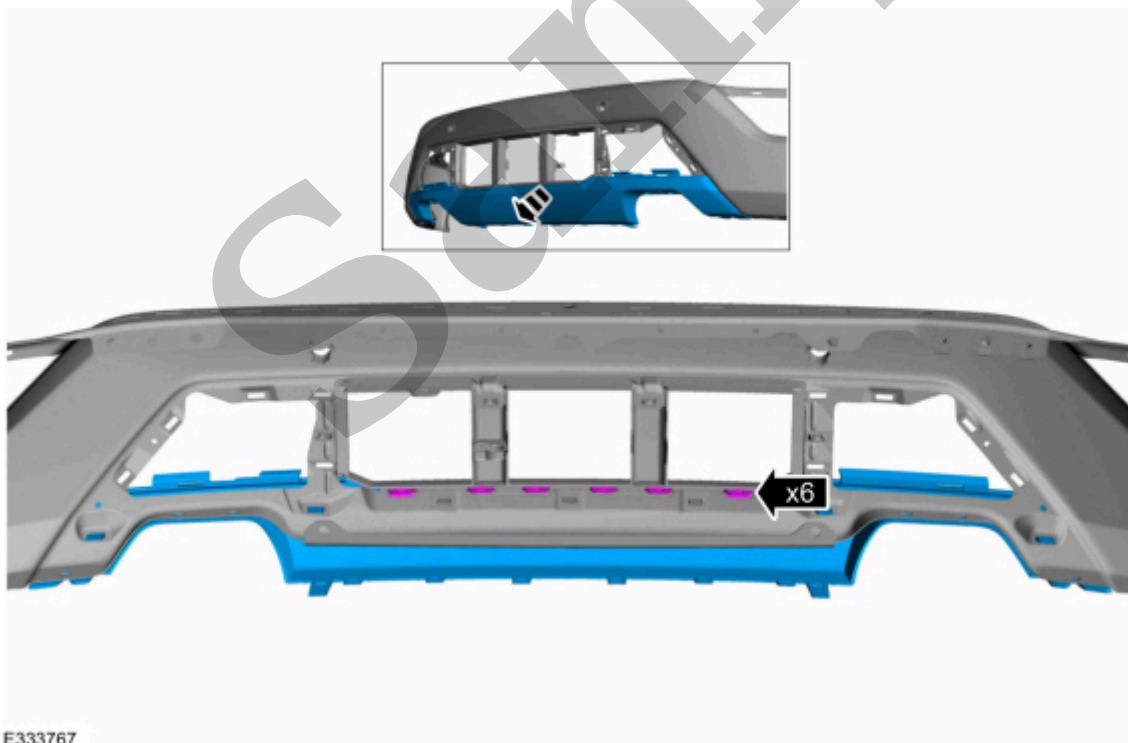




E333766

[Click here to learn about symbols, color coding, and icons used in this manual.](#)

20. Release the clips and remove the protective shield.



E333767

[Click here to learn about symbols, color coding, and icons used in this manual.](#)

21. Release the clips and remove the front bumper grille assembly.

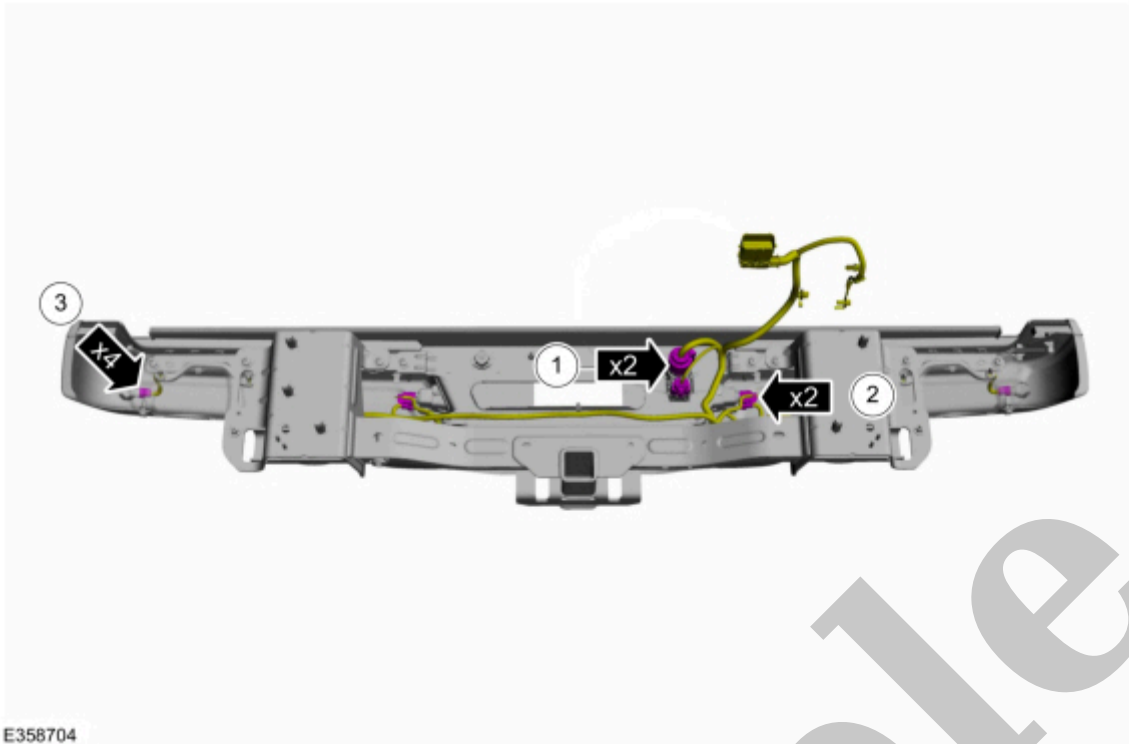


Refer to: [Parking Aid](#)(413-13A Parking Aid - Vehicles With: Rear Parking Aid, Diagnosis and Testing).

Refer to: [Parking Aid](#)(413-13C Parking Aid - Vehicles With: Active Park Assist, Diagnosis and Testing).

Copyright © Ford Motor Company

Sample



[Click here to learn about symbols, color coding, and icons used in this manual.](#)

**3. NOTE**

The number and location of retainers will vary depending on option content.

Separate the harness guides, harness retainers and remove rear bumper wiring harness.