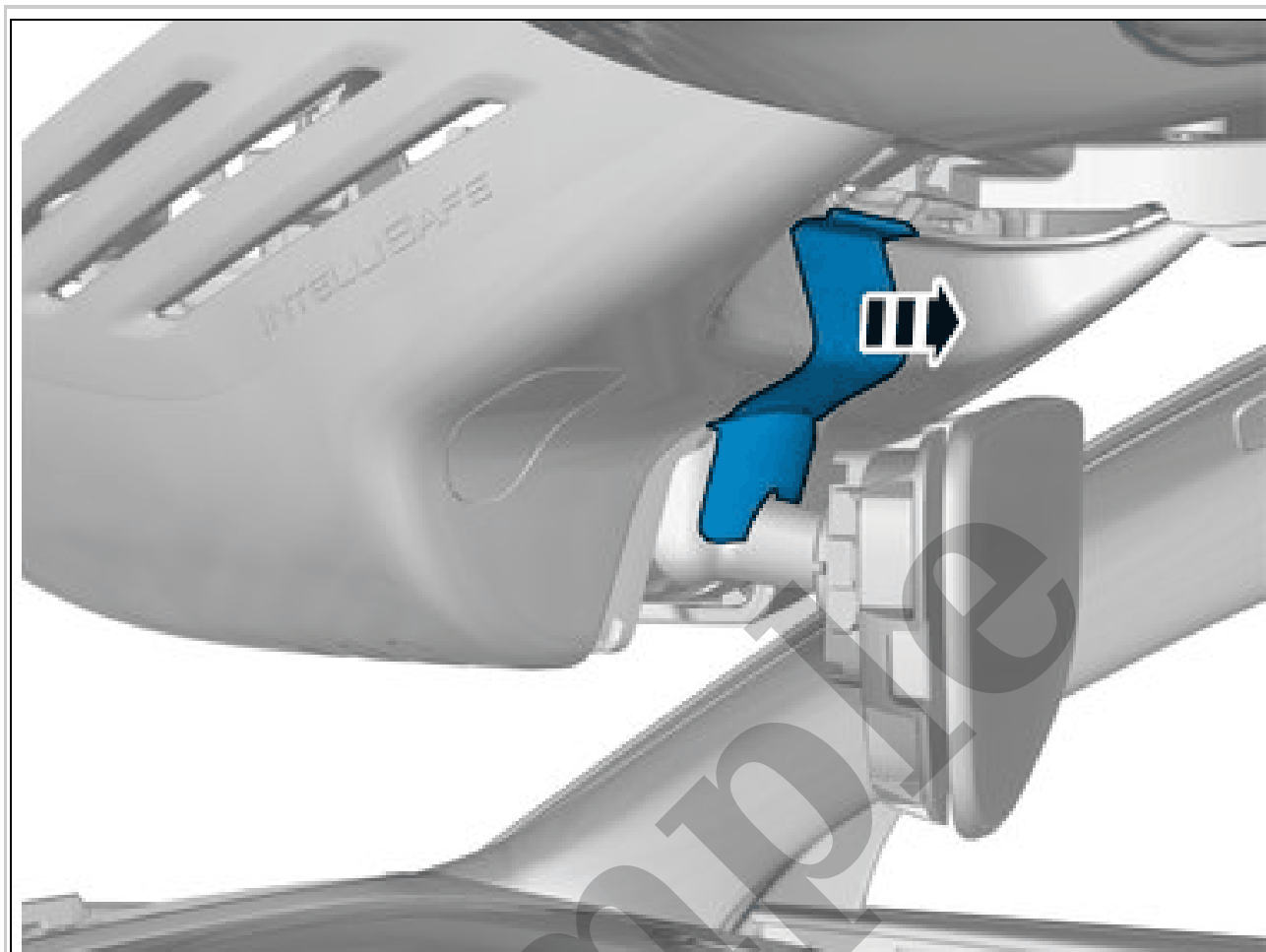


# Your Ultimate Source for OEM Repair Manuals

FactoryManuals.net is a great resource for anyone who wants to save money on repairs by doing their own work. The manuals provide detailed instructions and diagrams that make it easy to understand how to fix a vehicle.

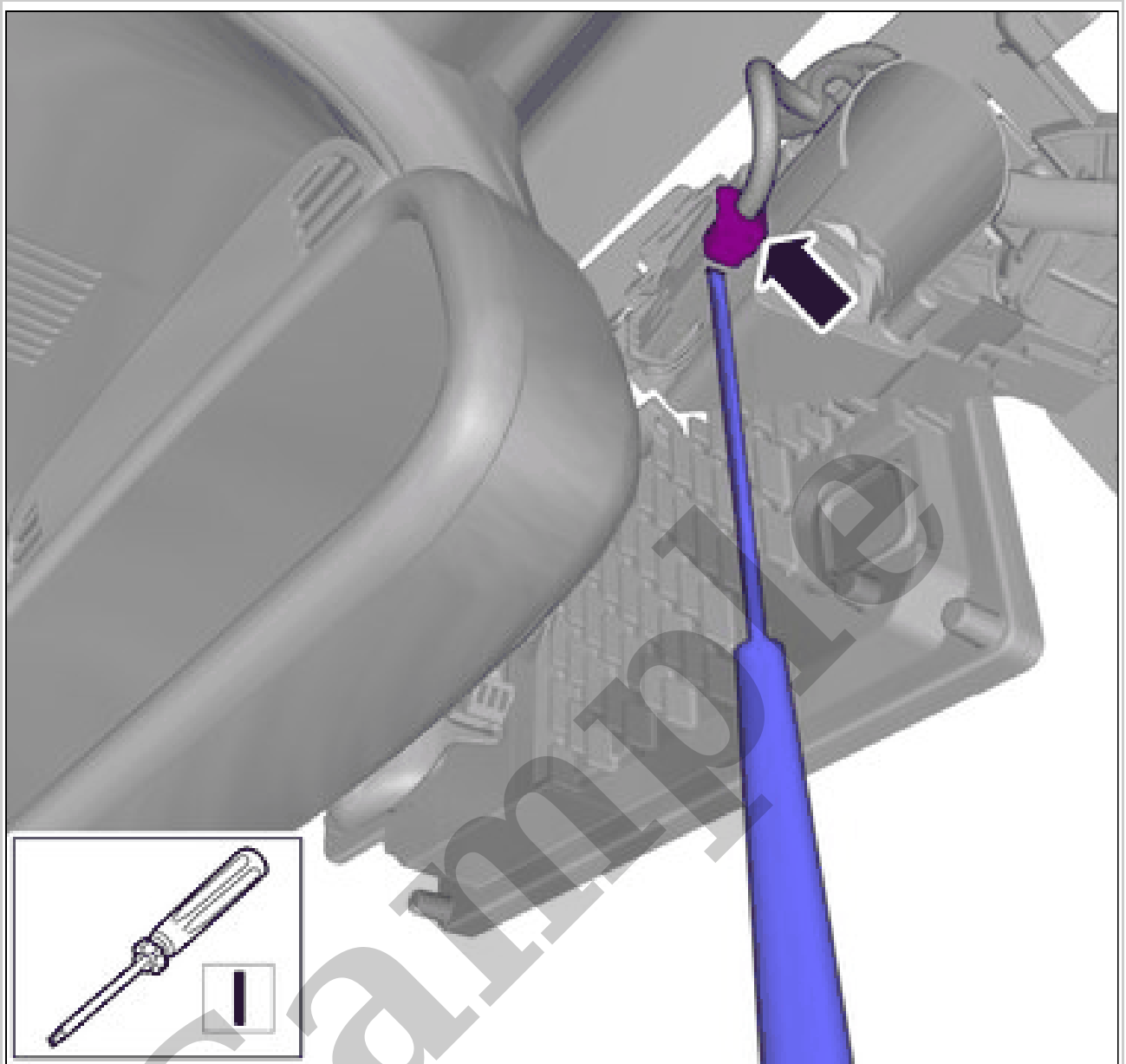
## 1998 VOLVO V70 OEM Service and Repair Workshop Manual

[Go to manual page](#)



Courtesy of VOLVO CARS CORPORATION

Remove the marked part.



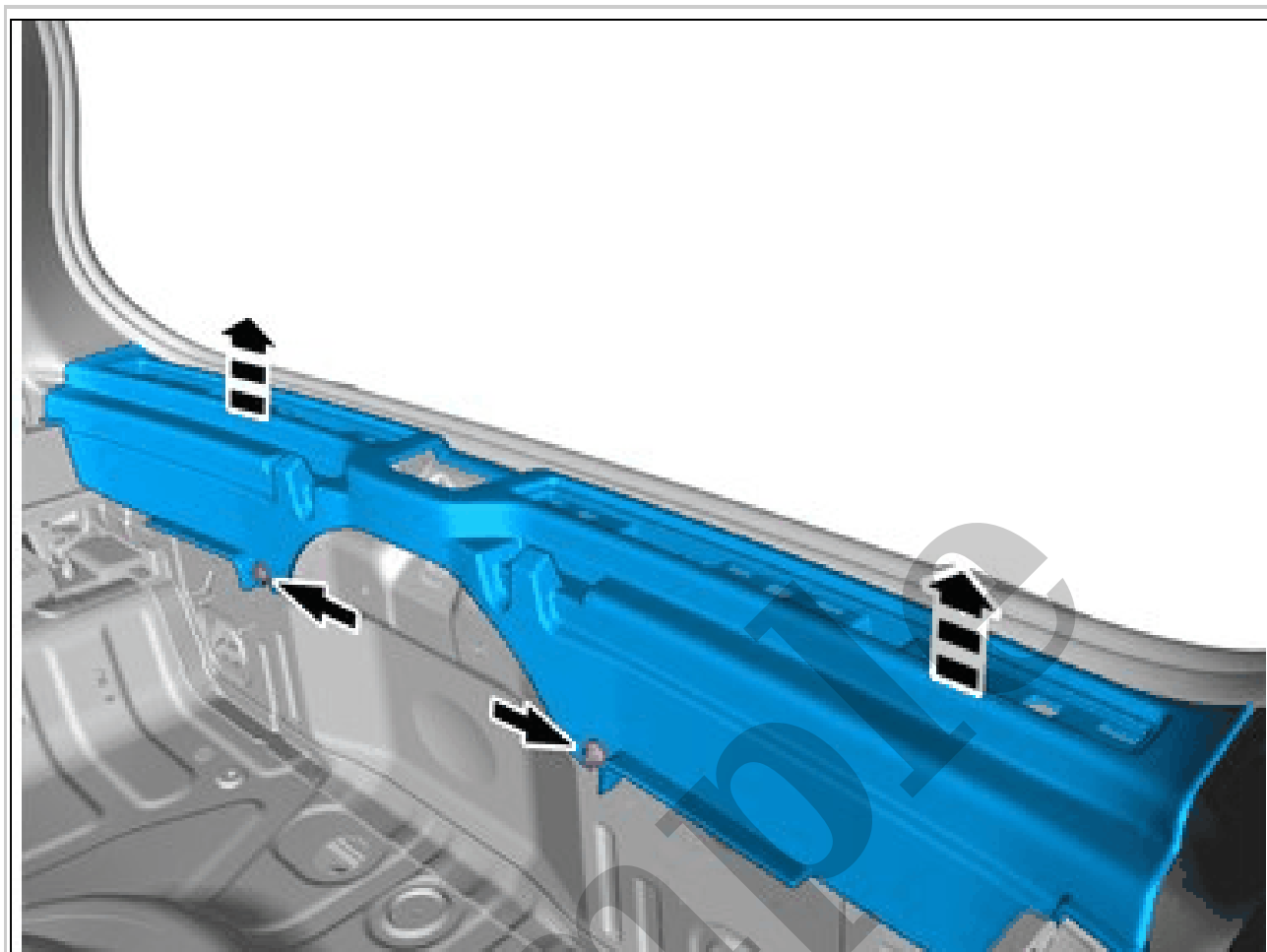
Courtesy of VOLVO CARS CORPORATION

Disconnect the connector.



Courtesy of VOLVO CARS CORPORATION

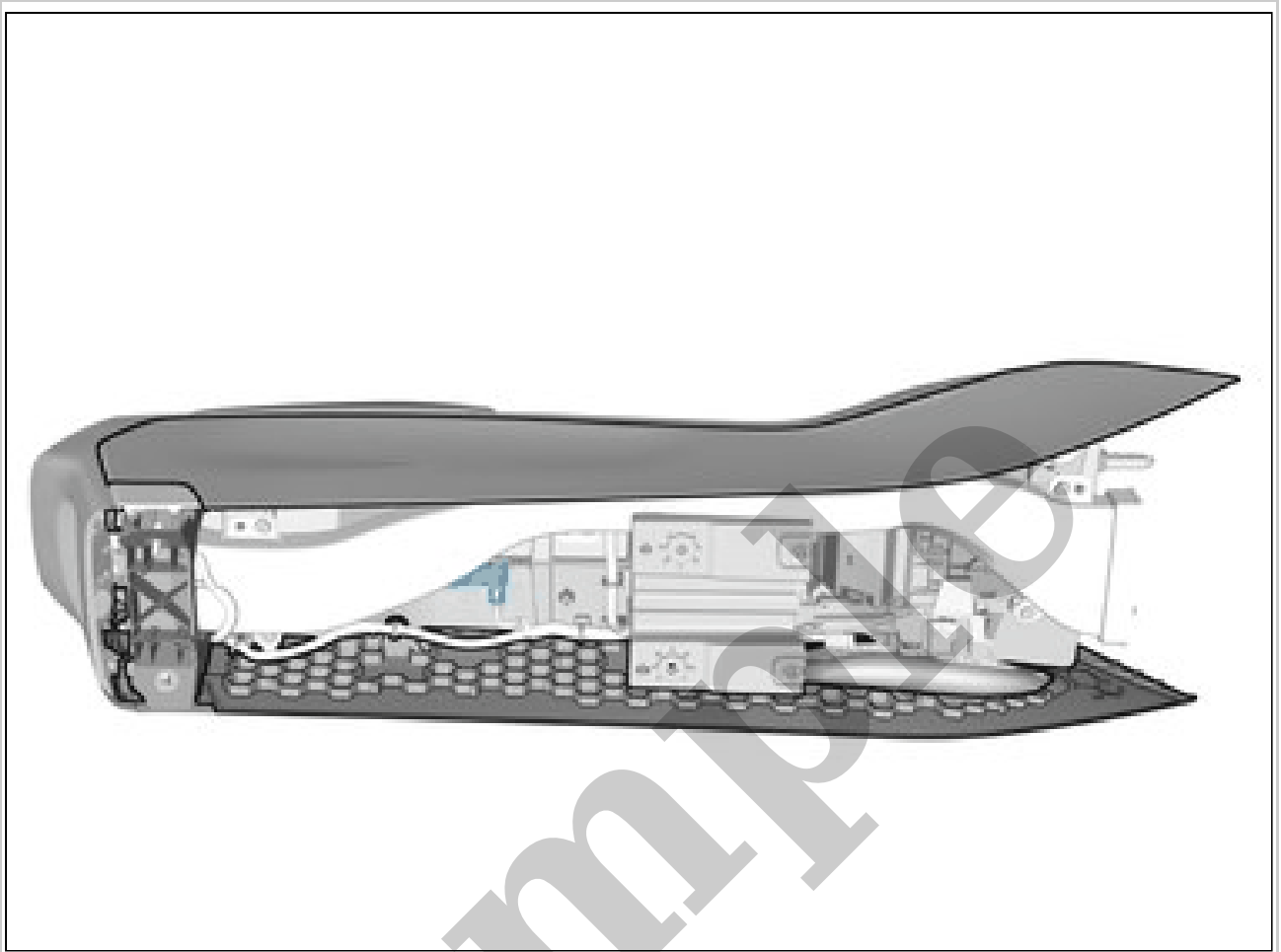
Remove the marked part.



Courtesy of VOLVO CARS CORPORATION

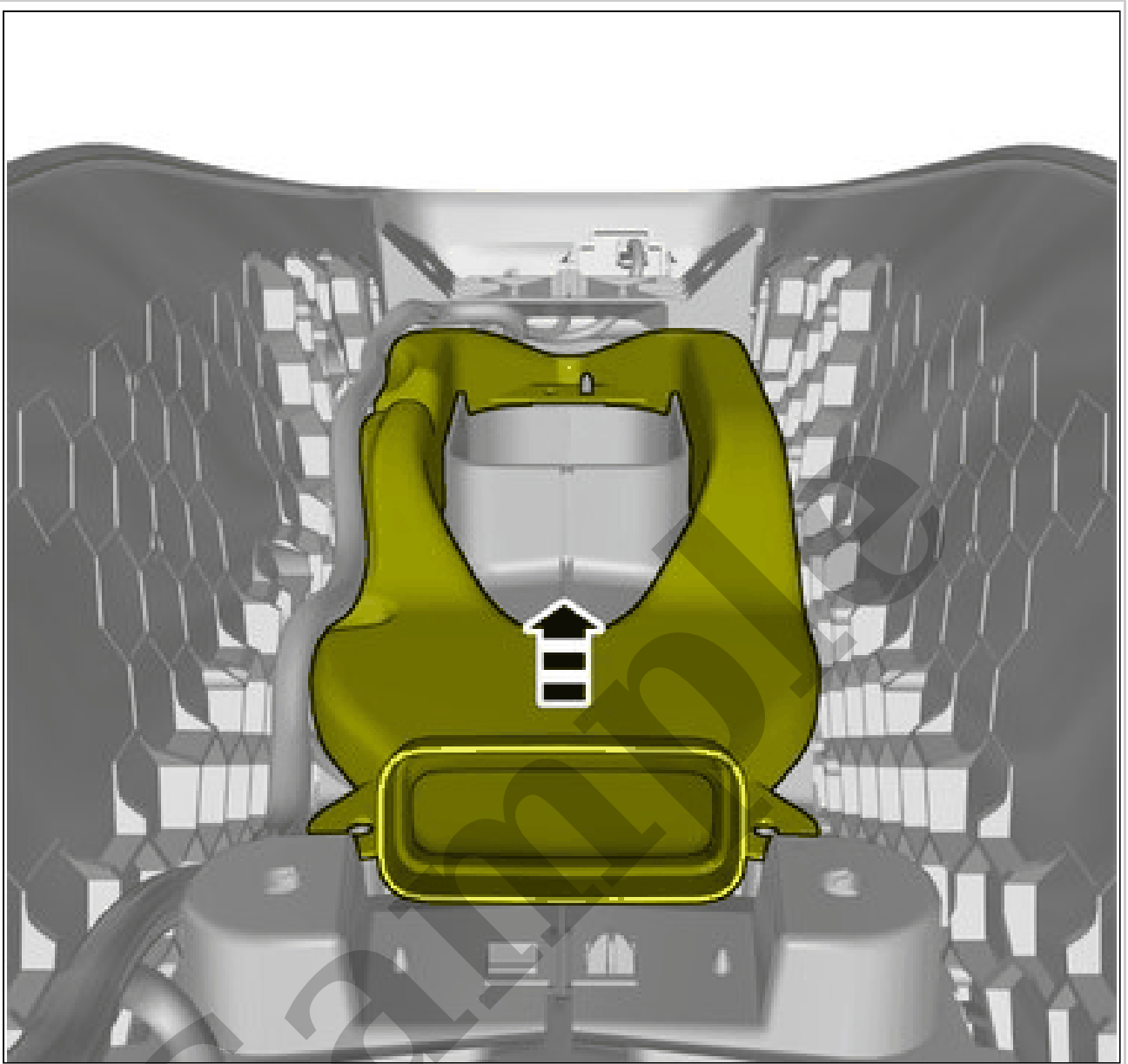
Remove the screws.  
Remove the marked part.

Set the vehicle to Inactive mode, described in user mode. Refer to: USAGE MODE  
Remove floor console. Refer to: FLOOR CONSOLE



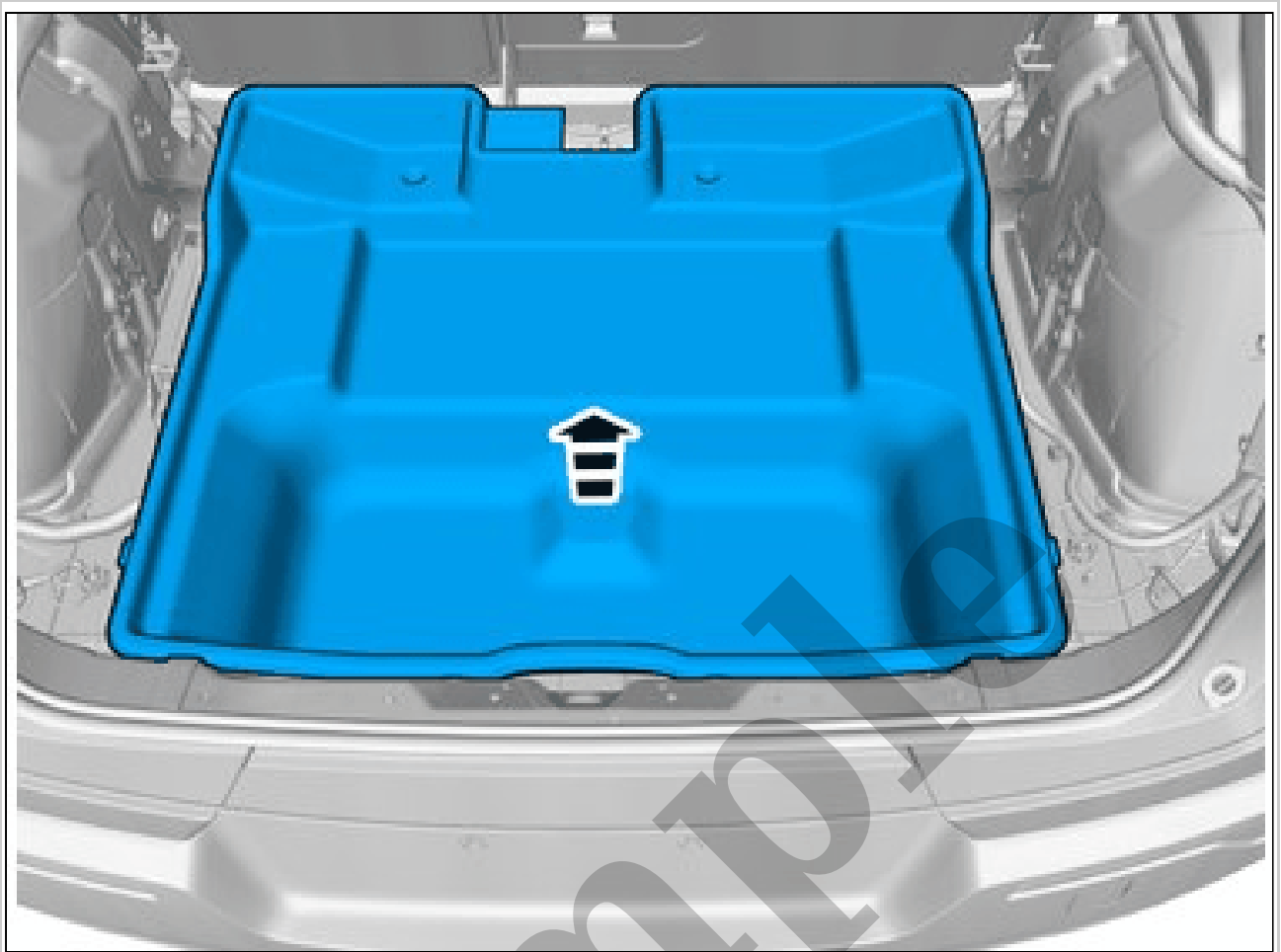
Courtesy of VOLVO CARS CORPORATION

**NOTE:** *Orientation view*



Courtesy of VOLVO CARS CORPORATION

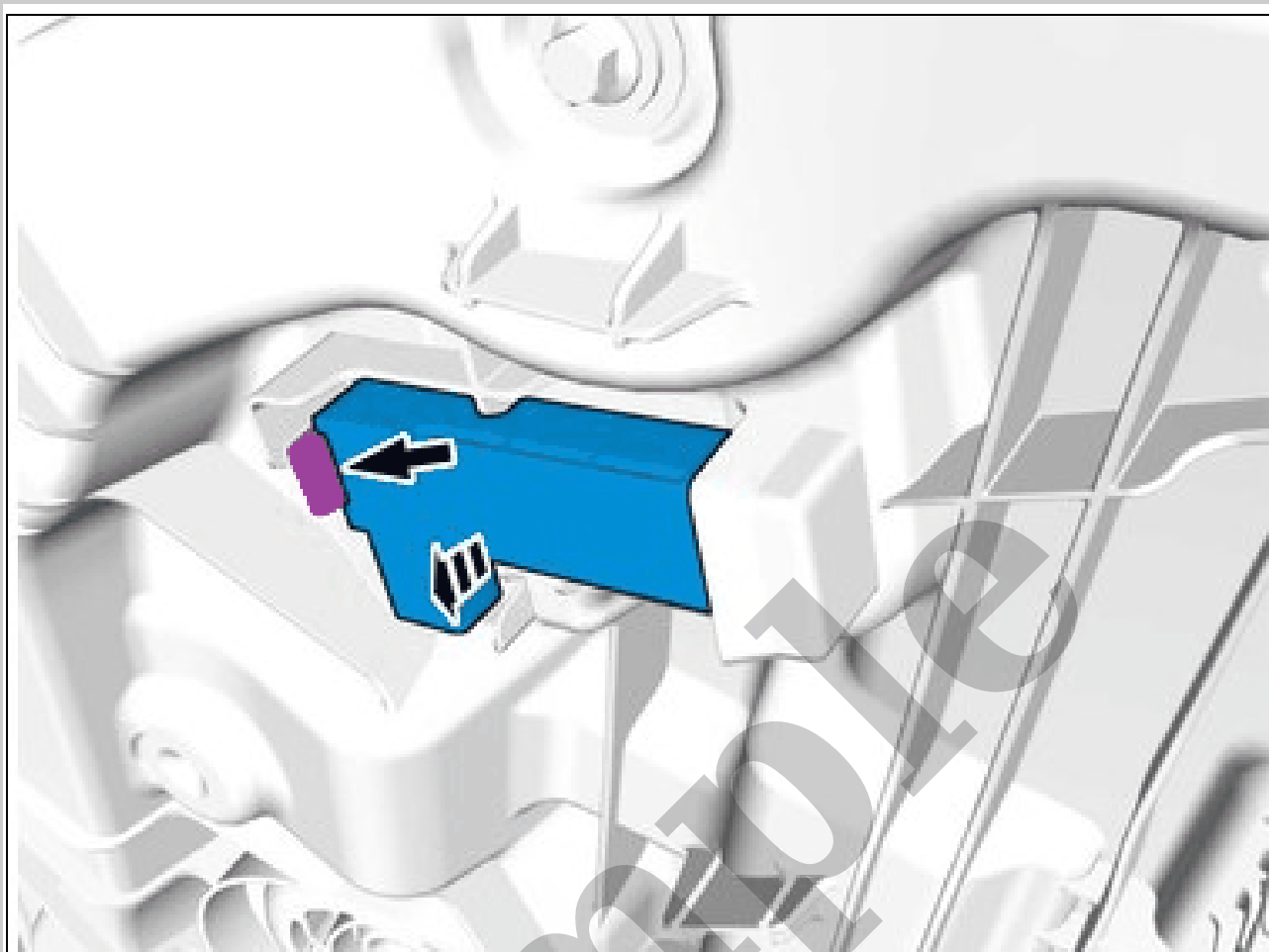
Fold marked part aside.



Courtesy of VOLVO CARS CORPORATION

Remove the marked part.





Courtesy of VOLVO CARS CORPORATION

Release the lock.  
Remove the marked part.

### **ANTENNA, KEYLESS VEHICLE, REAR DOOR > ANTENNA, KEYLESS VEHICLE, REAR DOOR [2018-2022] > INSTALLATION**

To install, reverse the removal procedure.

### **BATTERY BACKED-UP SOUNDER > BATTERY BACKED-UP SOUNDER (BBS) [2018- 2022] > REMOVAL**

**NOTE:** *Removal steps in this procedure may contain  
installation details.*

Set the vehicle to Inactive mode, described in user mode. Refer to: USAGE MODE  
Remove the plenum cover. Refer to: PLENUM COVER



Courtesy of VOLVO CARS CORPORATION

Remove the marked part.