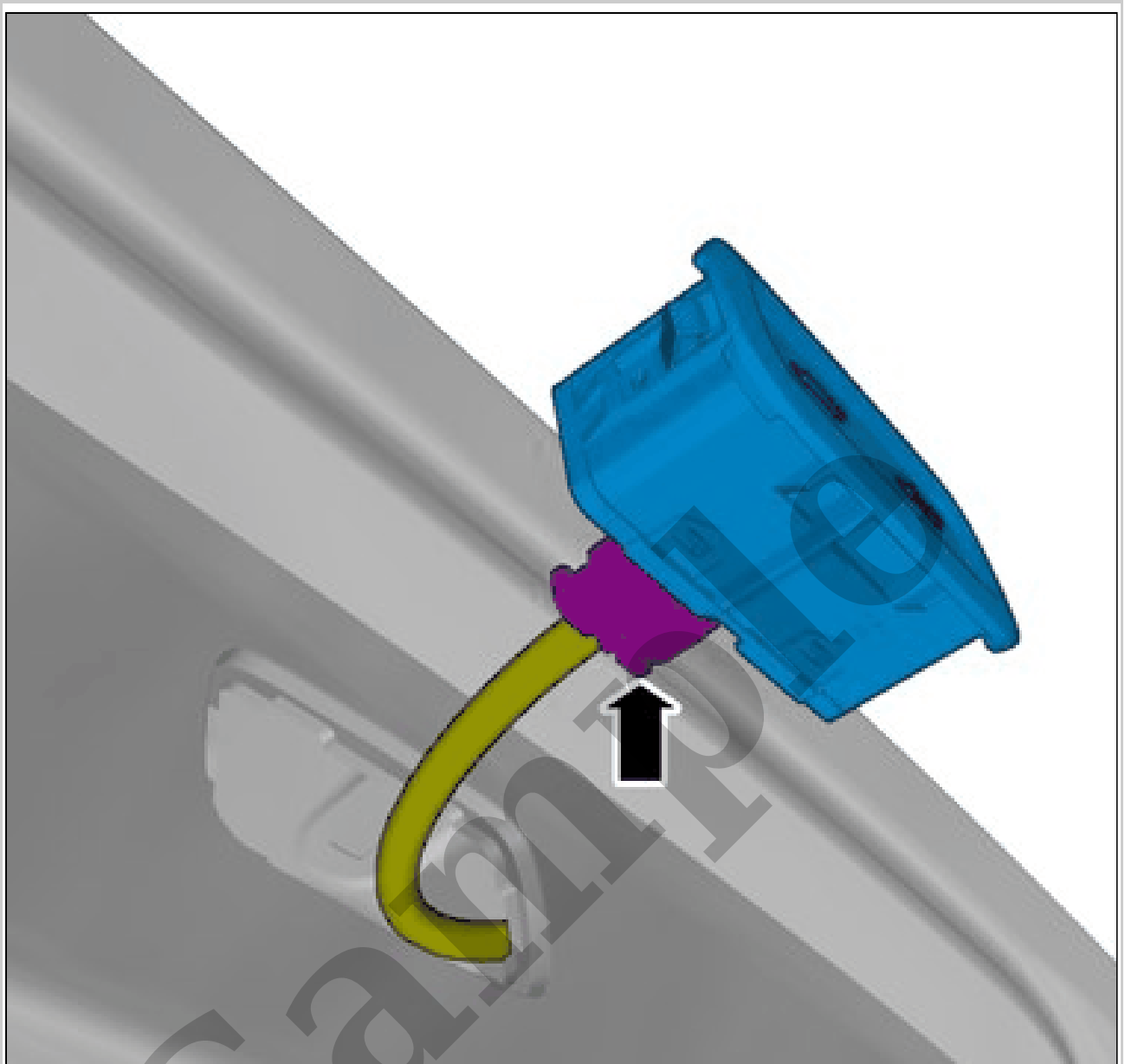


Your Ultimate Source for OEM Repair Manuals

FactoryManuals.net is a great resource for anyone who wants to save money on repairs by doing their own work. The manuals provide detailed instructions and diagrams that make it easy to understand how to fix a vehicle.

1998 VOLVO V40 OEM Service and Repair Workshop Manual

[Go to manual page](#)



Courtesy of VOLVO CARS CORPORATION

Disconnect the connector.

POWER OPERATED TAILGATE SWITCH > POWER OPERATED TAILGATE SWITCH [2018-2022] > INSTALLATION

To install, reverse the removal procedure.

REAR DOOR MODULE RDM > REAR DOOR MODULE RDM [2018-2022] > REMOVAL

Set the vehicle to Inactive mode, described in user mode. Refer to: USAGE MODE

Remove panel side door rear. Refer to: PANEL REAR DOOR

VIDA/Software/All/DDM Reload

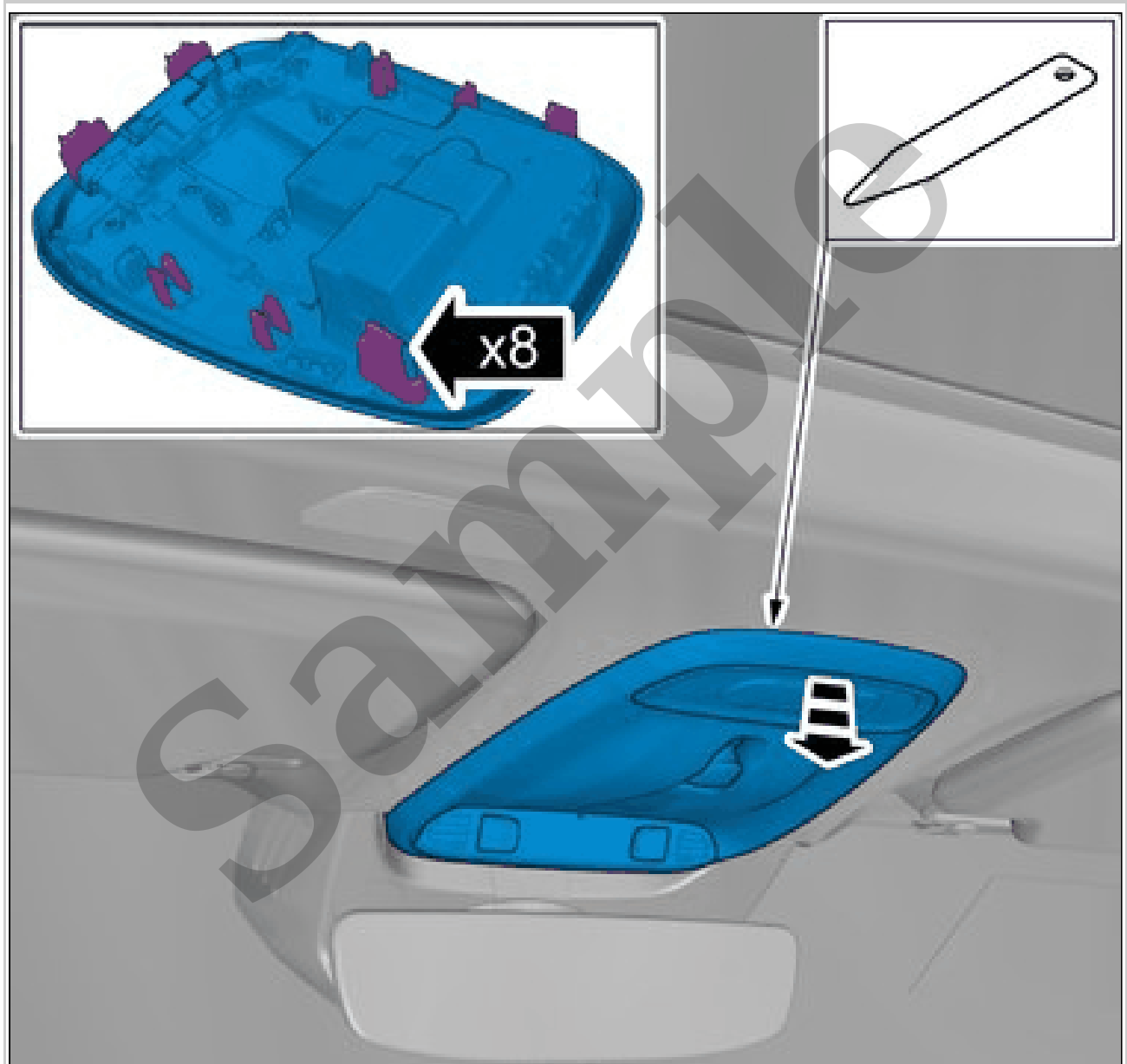
APPLIES TO THE PASSENGER SIDE

VIDA/Software/All/PDM Reload

Perform power window motor, initiation. Refer to: DOOR WINDOW MOTOR INITIALIZATION

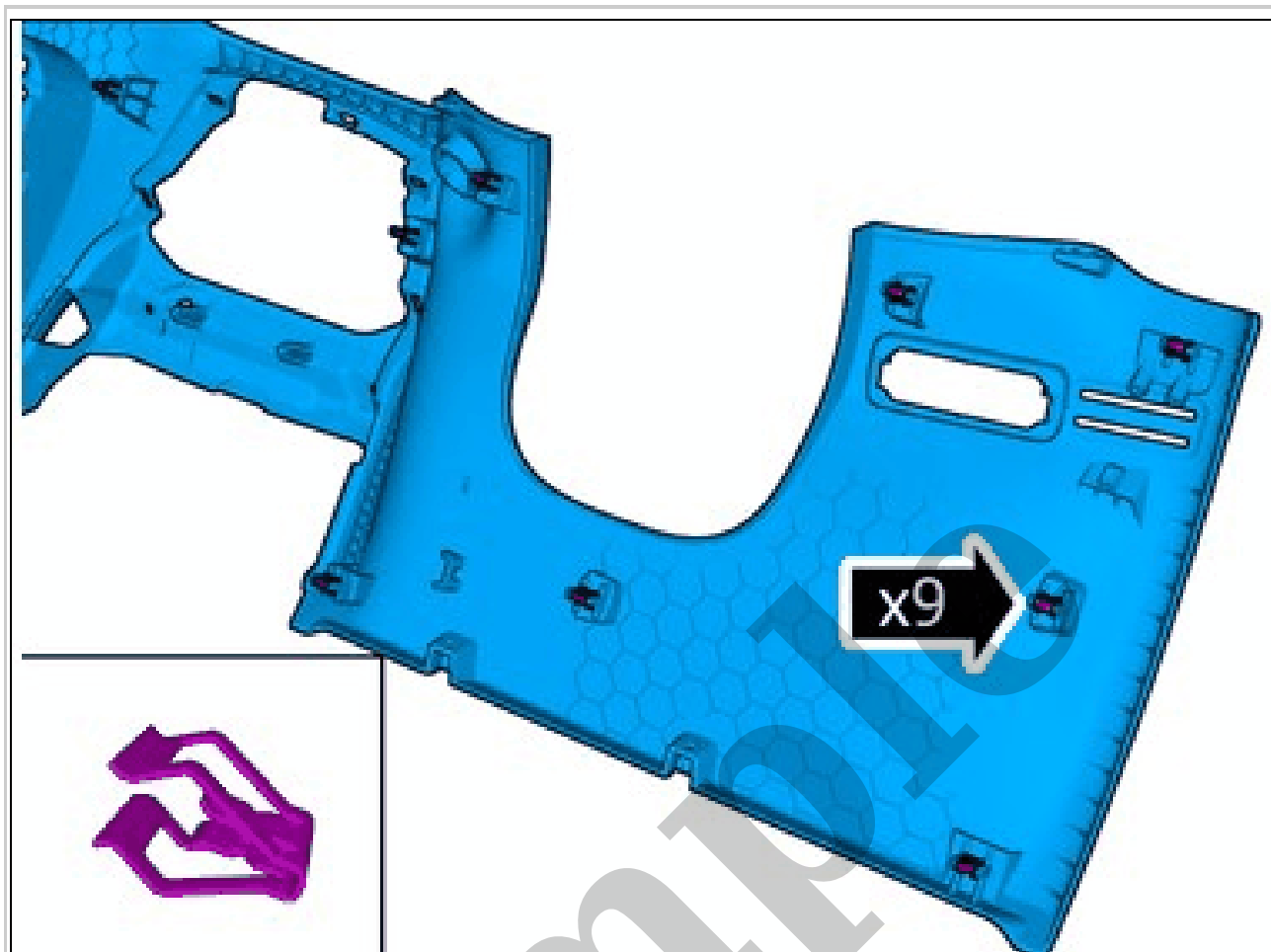
ROTARY SWITCH, SUN ROOF > ROTARY SWITCH, SUN ROOF [2018-2022] > REMOVAL

Set the vehicle to Inactive mode, described in user mode. Refer to: USAGE MODE



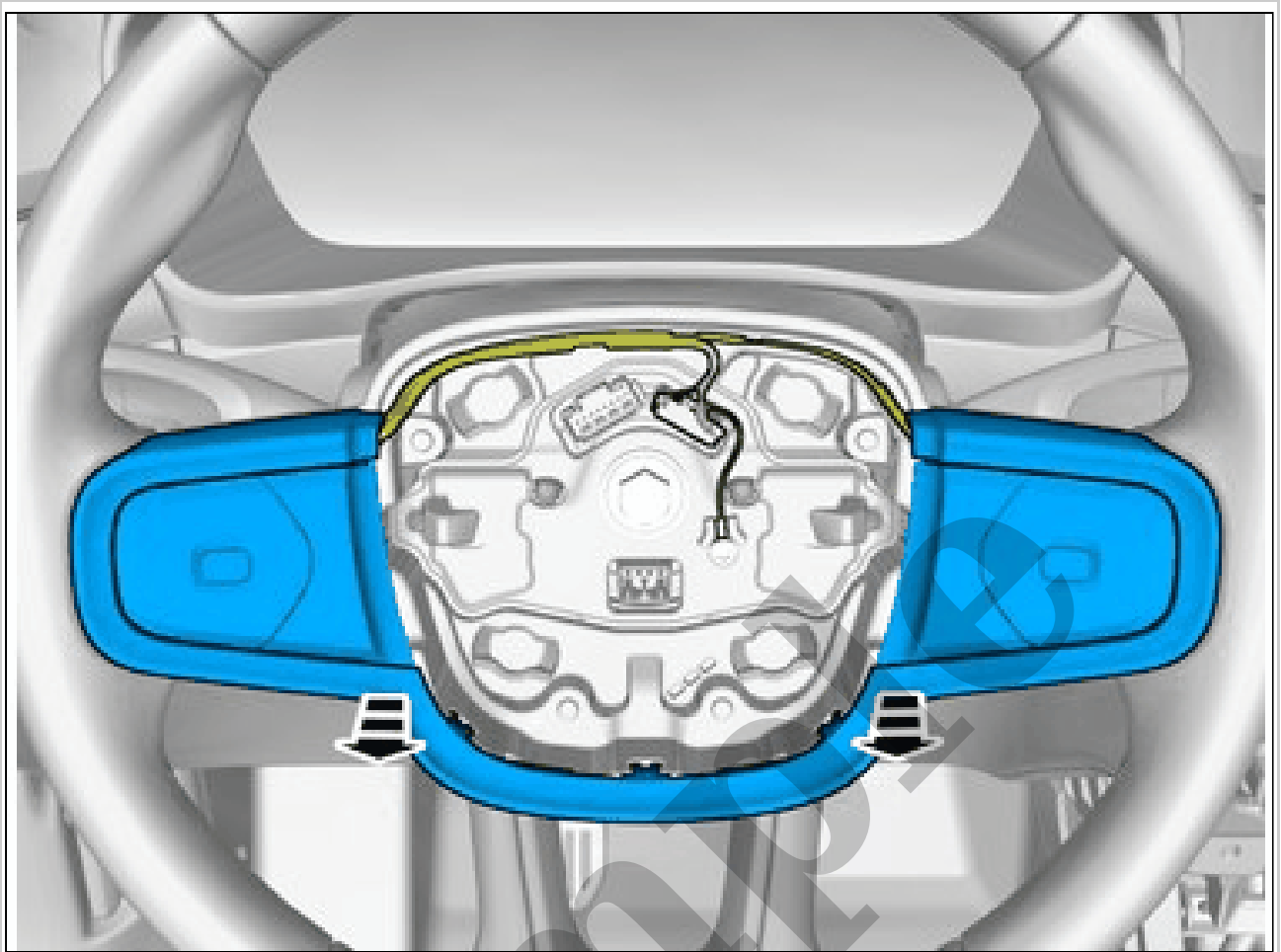
Courtesy of VOLVO CARS CORPORATION

Remove the marked part.



Courtesy of VOLVO CARS CORPORATION

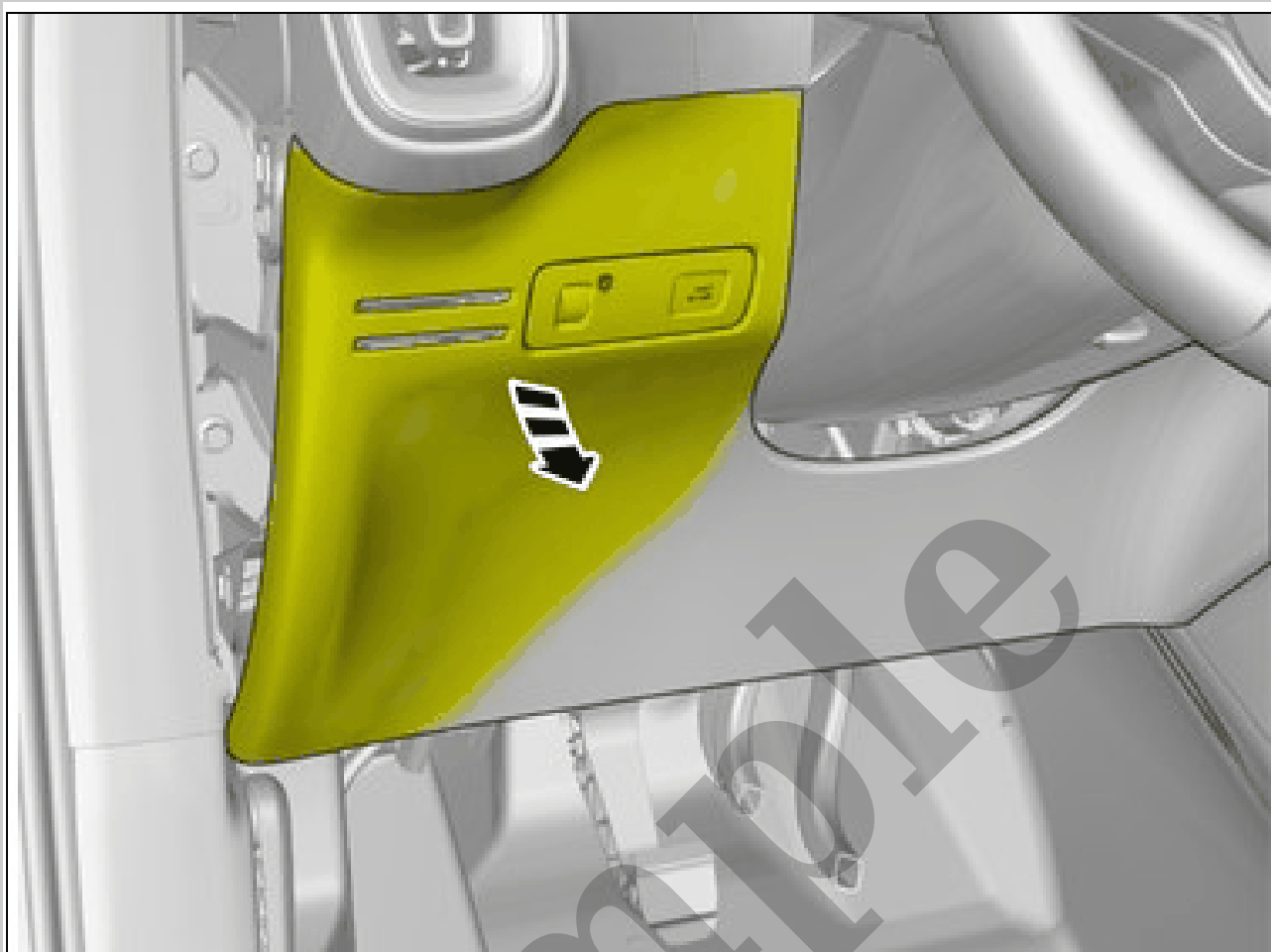
NOTE: The graphic shows the back of the component before removal.



Courtesy of VOLVO CARS CORPORATION

CAUTION: *Note the routing of the lines and hoses.*

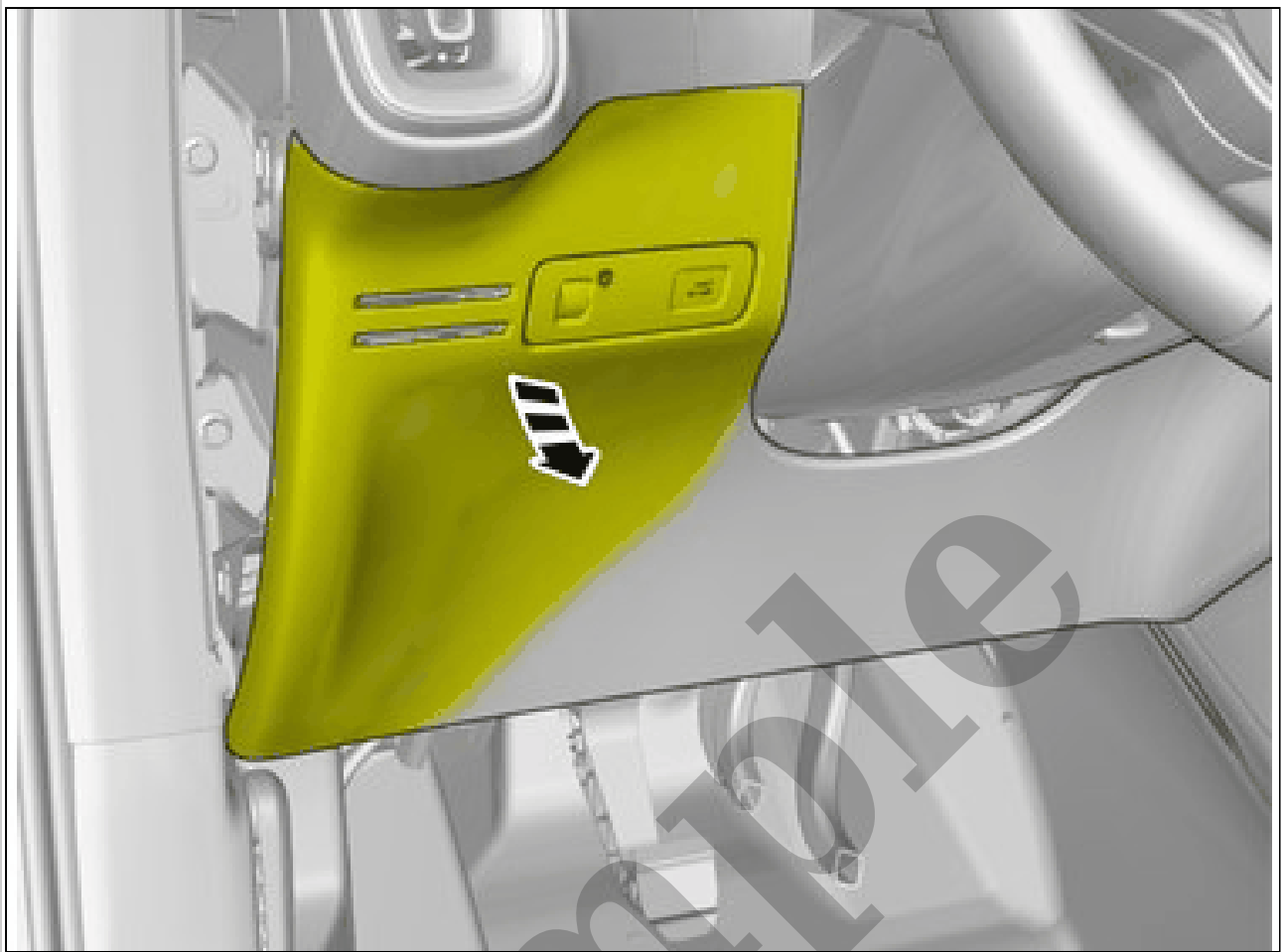
Use hands only.
Remove the marked part.



Courtesy of VOLVO CARS CORPORATION

NOTE: Only use moderate force.

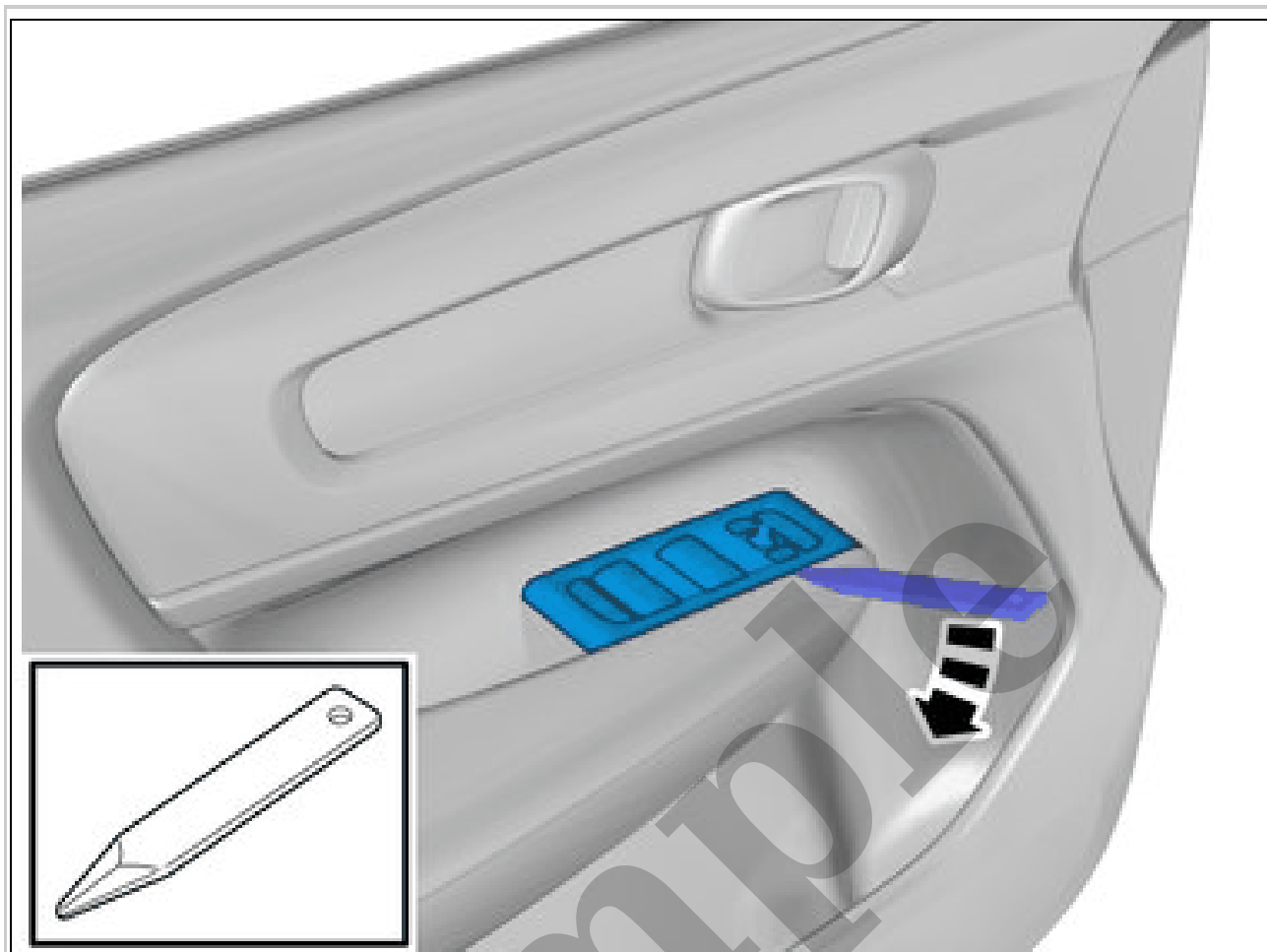
Use hands only.
Detach the panel.



Courtesy of VOLVO CARS CORPORATION

NOTE: Only use moderate force.

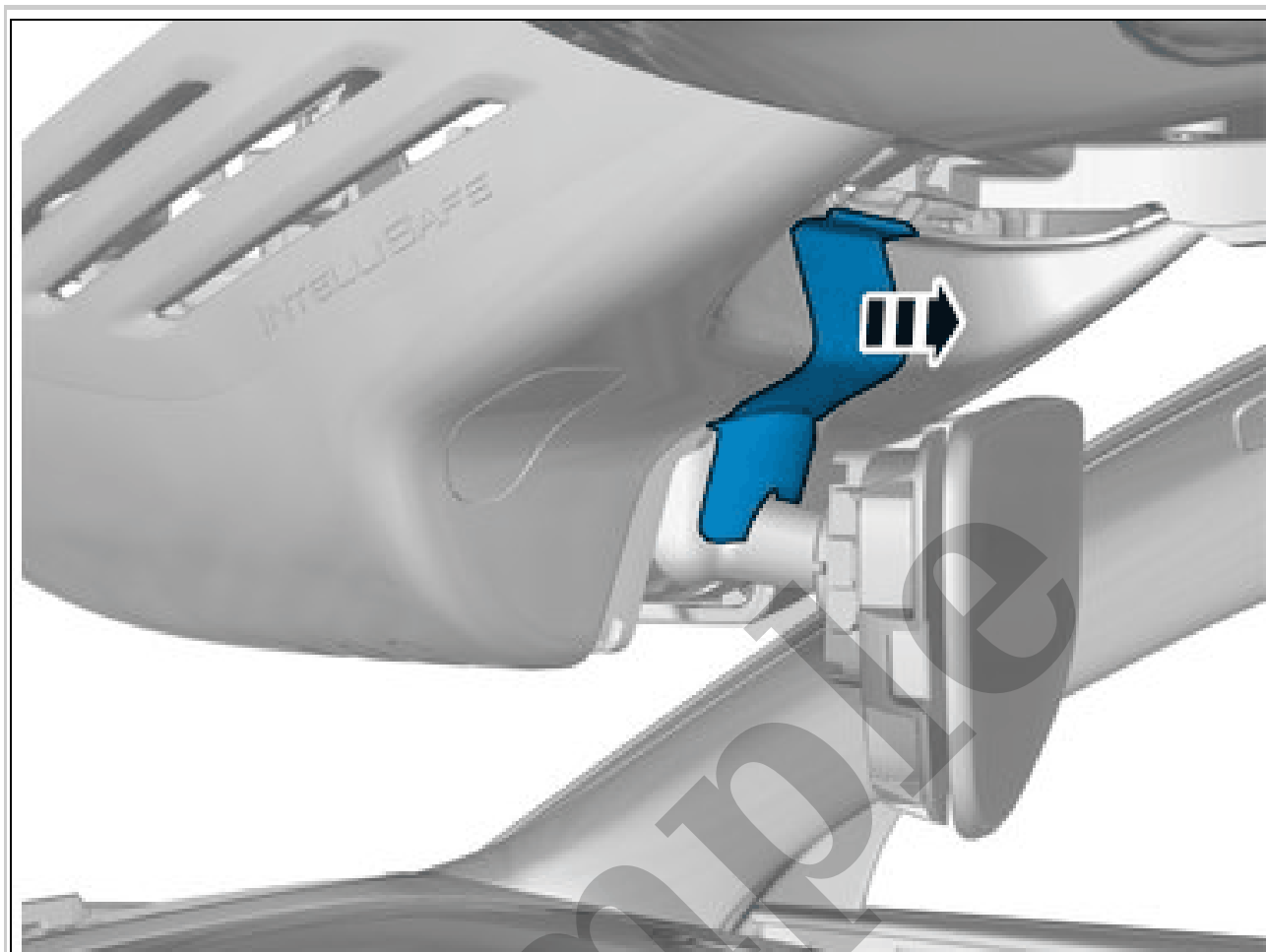
Use hands only.
Detach the panel.



Courtesy of VOLVO CARS CORPORATION

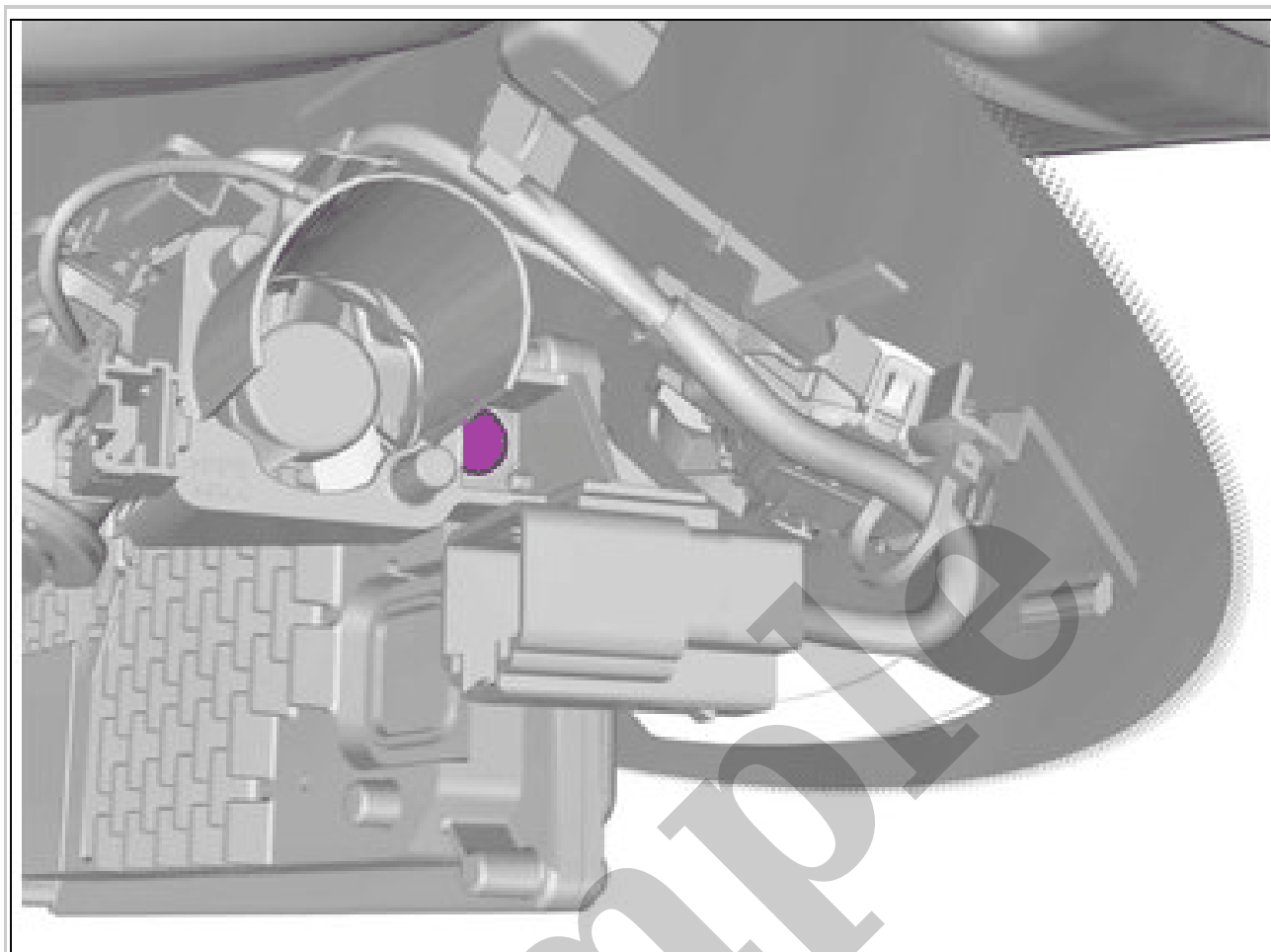
NOTE: Only use moderate force.

Remove the marked part.



Courtesy of VOLVO CARS CORPORATION

Remove the marked part.



Courtesy of VOLVO CARS CORPORATION

Remove the screw.

Torque: Cooling fan, to Active Safety Domain Master (ASDM), 4Nm