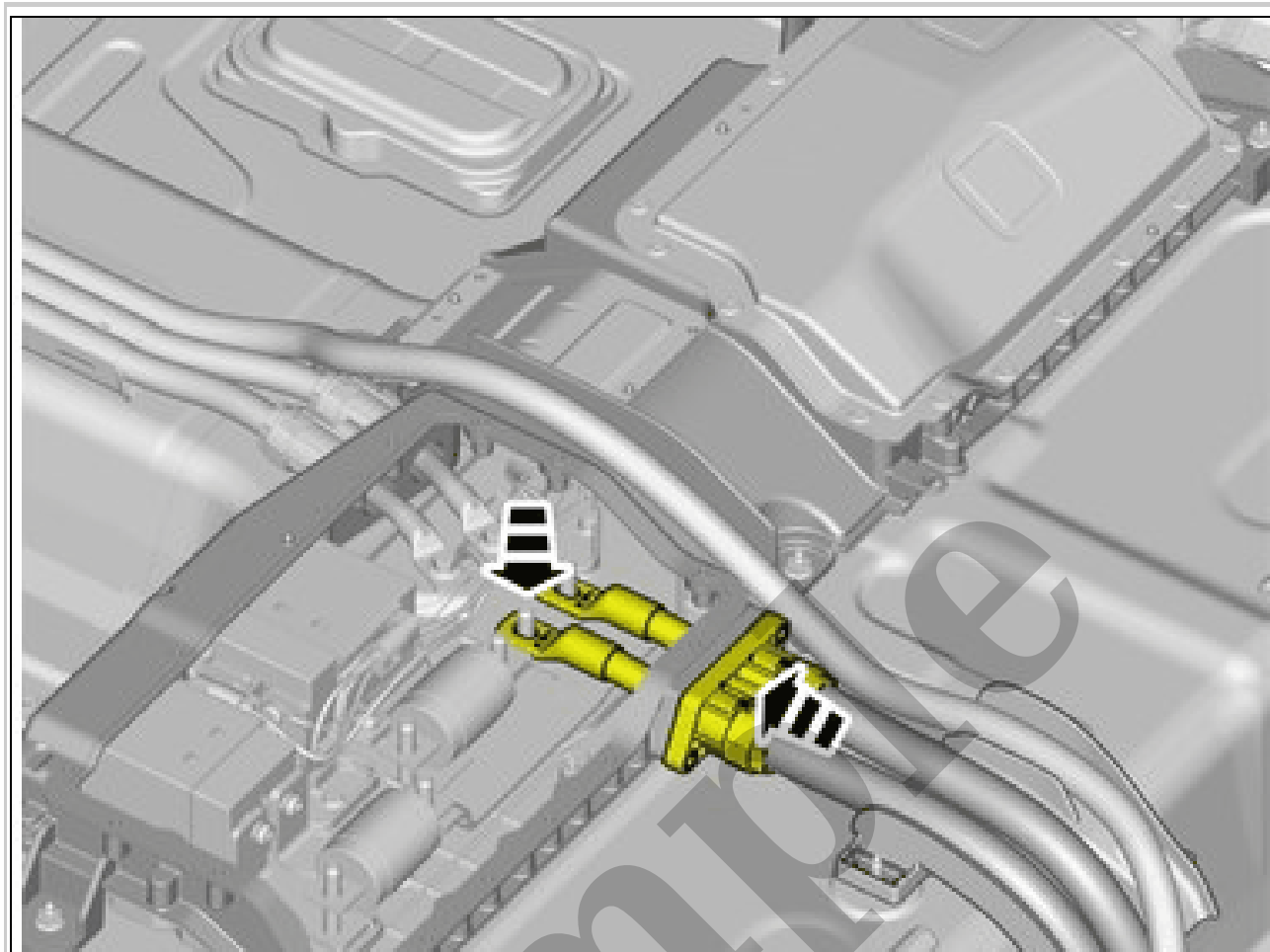


# Your Ultimate Source for OEM Repair Manuals

FactoryManuals.net is a great resource for anyone who wants to save money on repairs by doing their own work. The manuals provide detailed instructions and diagrams that make it easy to understand how to fix a vehicle.

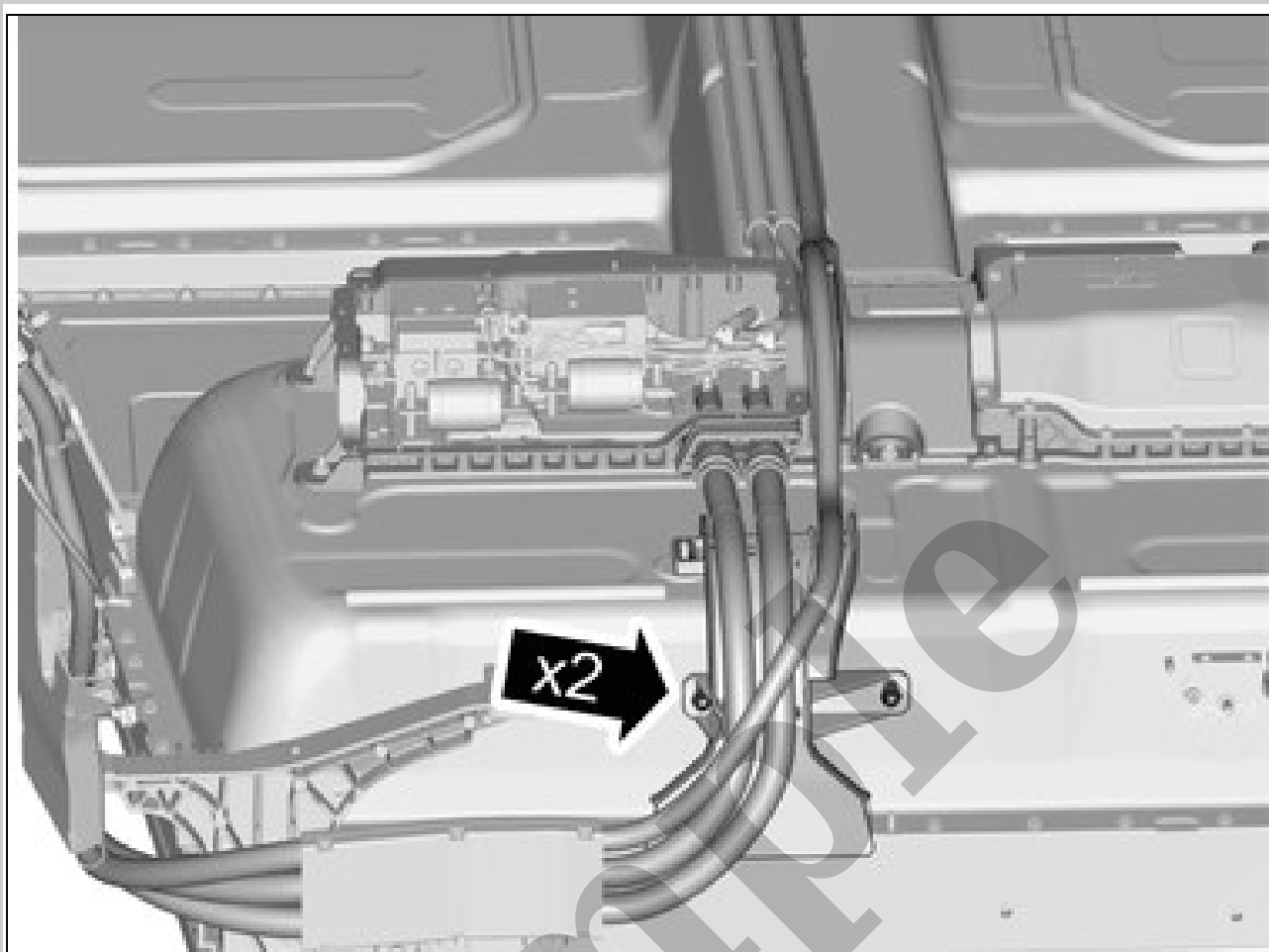
## 1998 VOLVO S90 OEM Service and Repair Workshop Manual

[Go to manual page](#)



Courtesy of VOLVO CARS CORPORATION

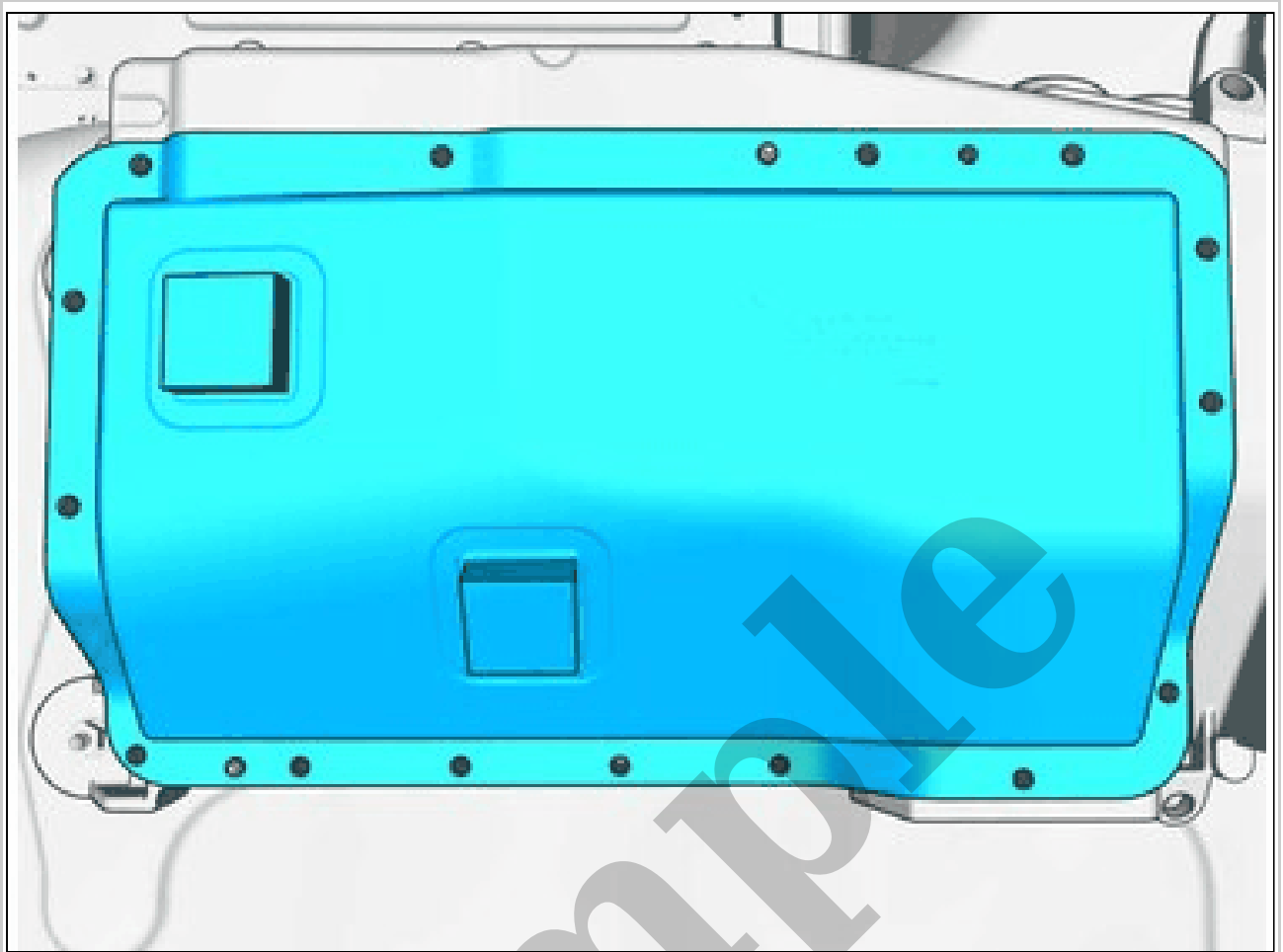
Install the marked components.



Courtesy of VOLVO CARS CORPORATION

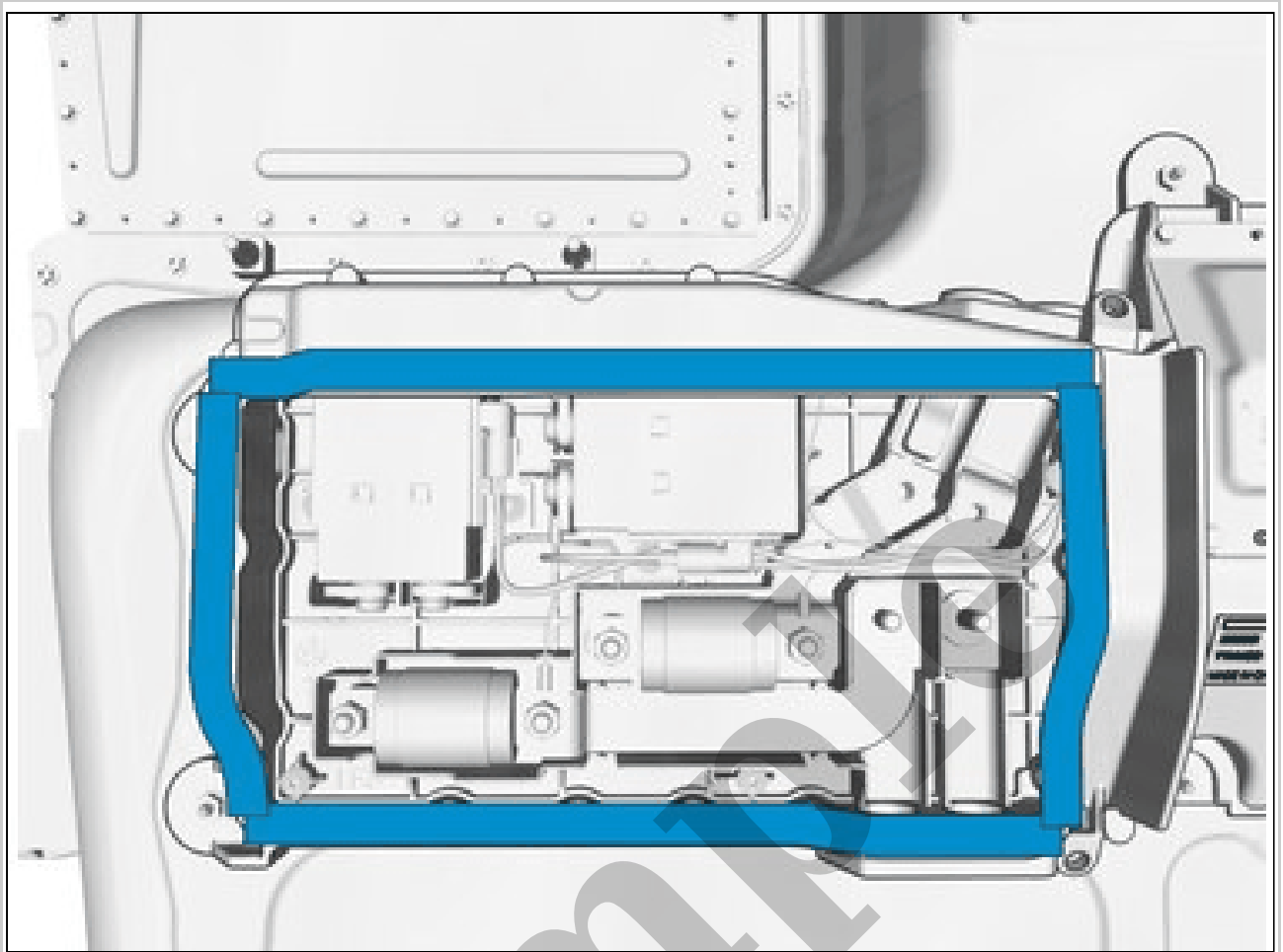
Install the nuts

**Torque:** M6, 10Nm



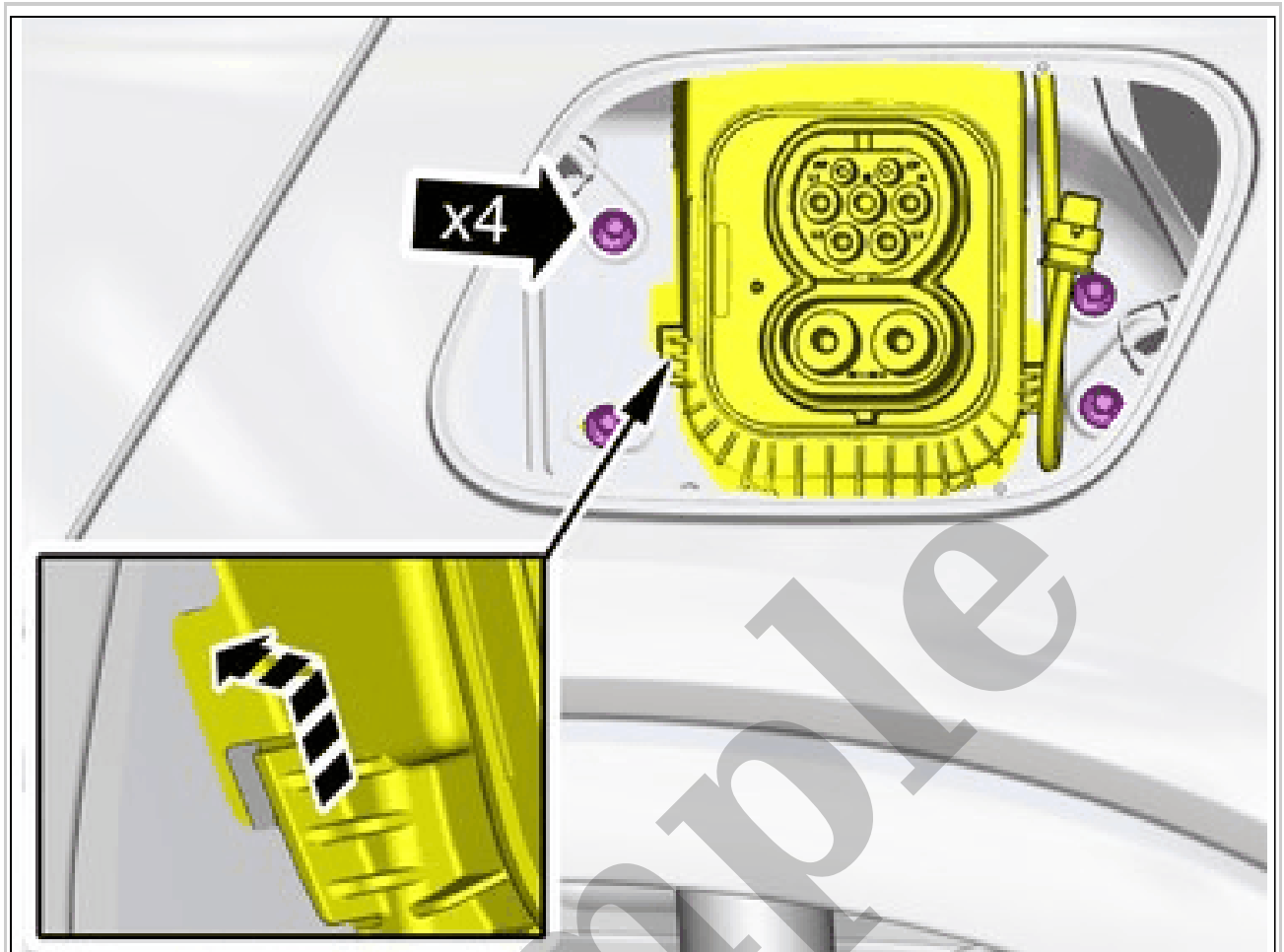
Courtesy of VOLVO CARS CORPORATION

Install the marked component.



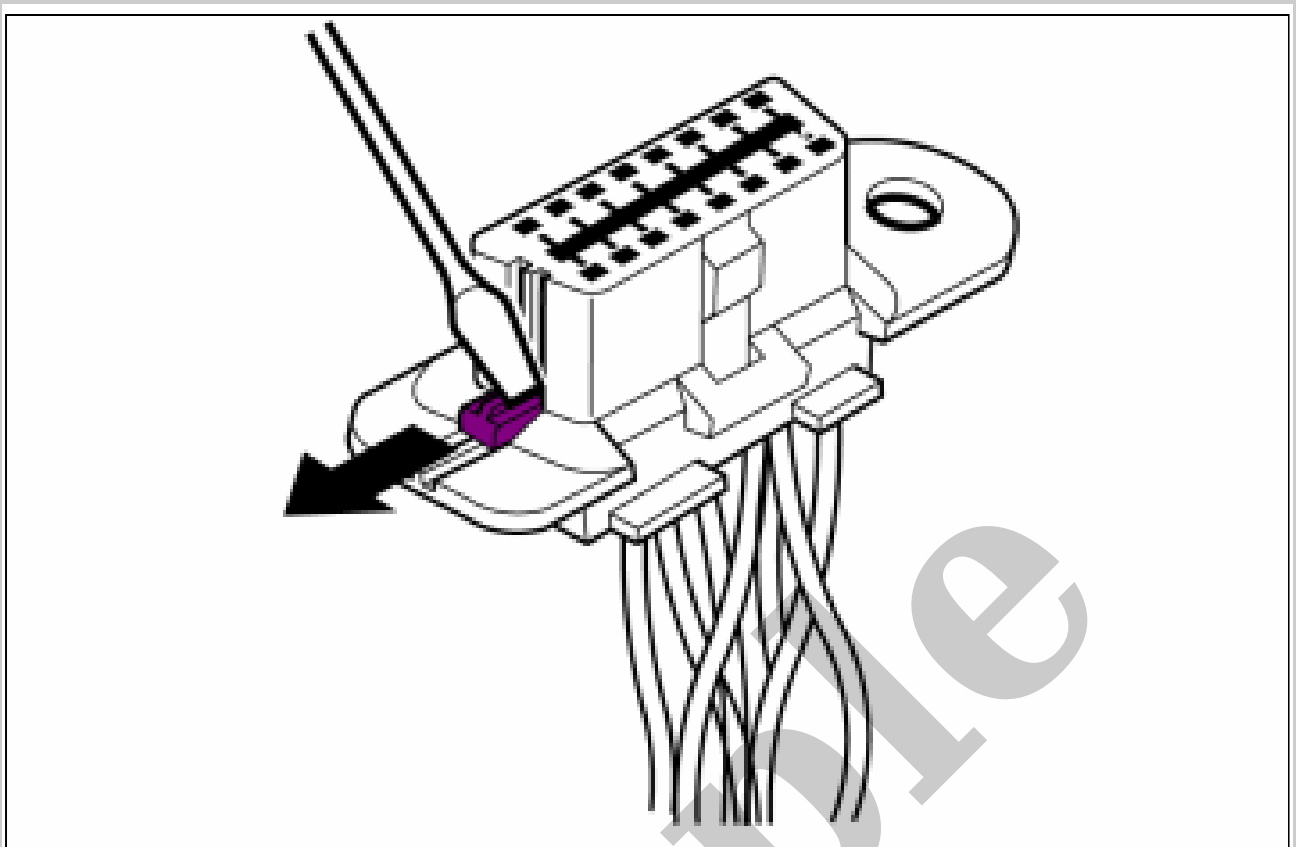
Courtesy of VOLVO CARS CORPORATION

Remove the protective film.



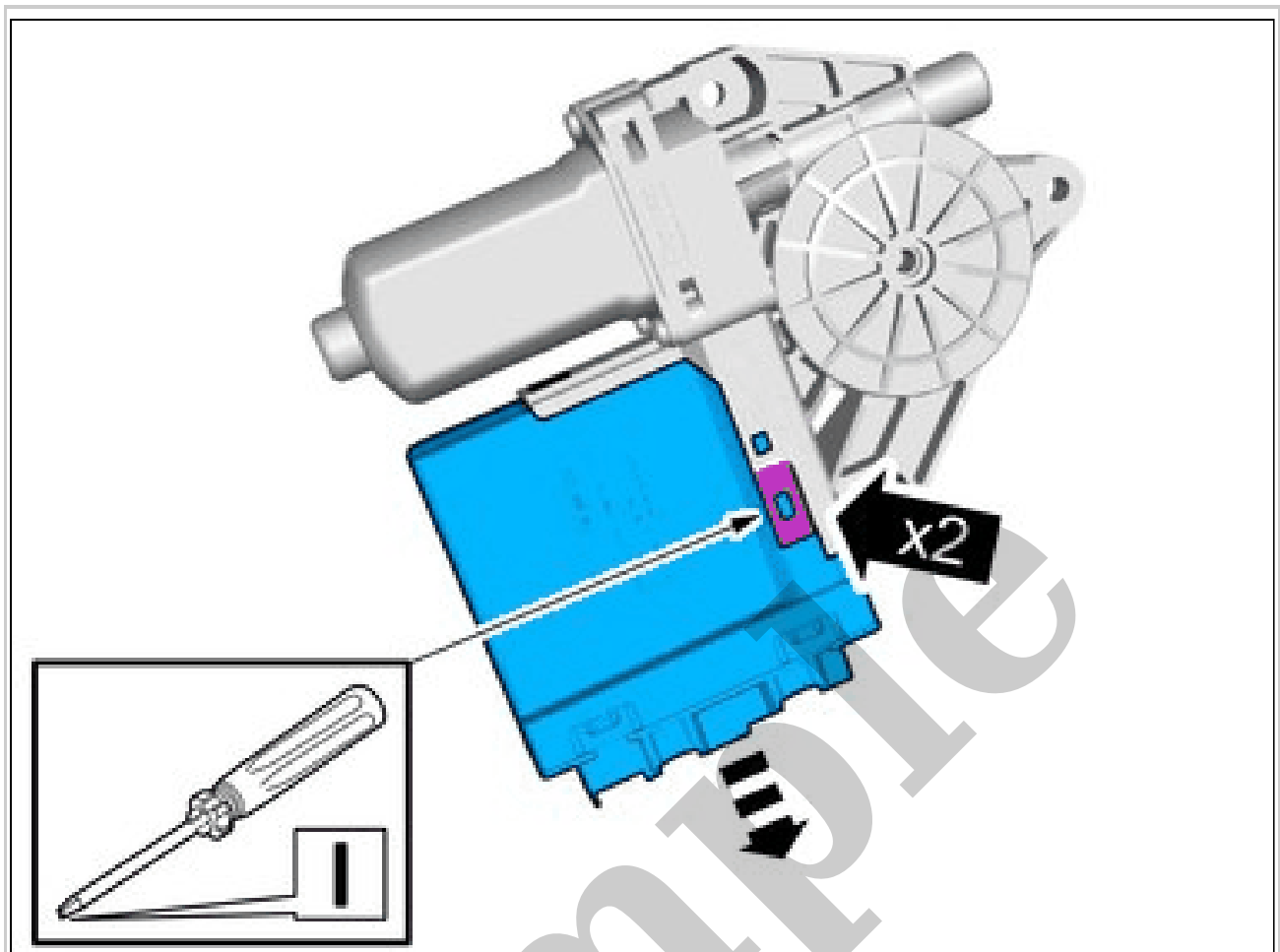
Courtesy of VOLVO CARS CORPORATION

Remove the screws.  
Release the catches.  
Fold marked part aside.  
**Torque:** M5, 5Nm



Courtesy of VOLVO CARS CORPORATION

Release the catch.



Courtesy of VOLVO CARS CORPORATION

**CAUTION:** *Be careful not to damage the catches.*

Release the catches.

Remove the marked part.

**Use:** Electrician's screwdriver

## **DRIVER DOOR MODULE > DRIVER DOOR MODULE (DDM) [2018-2022] > INSTALLATION**

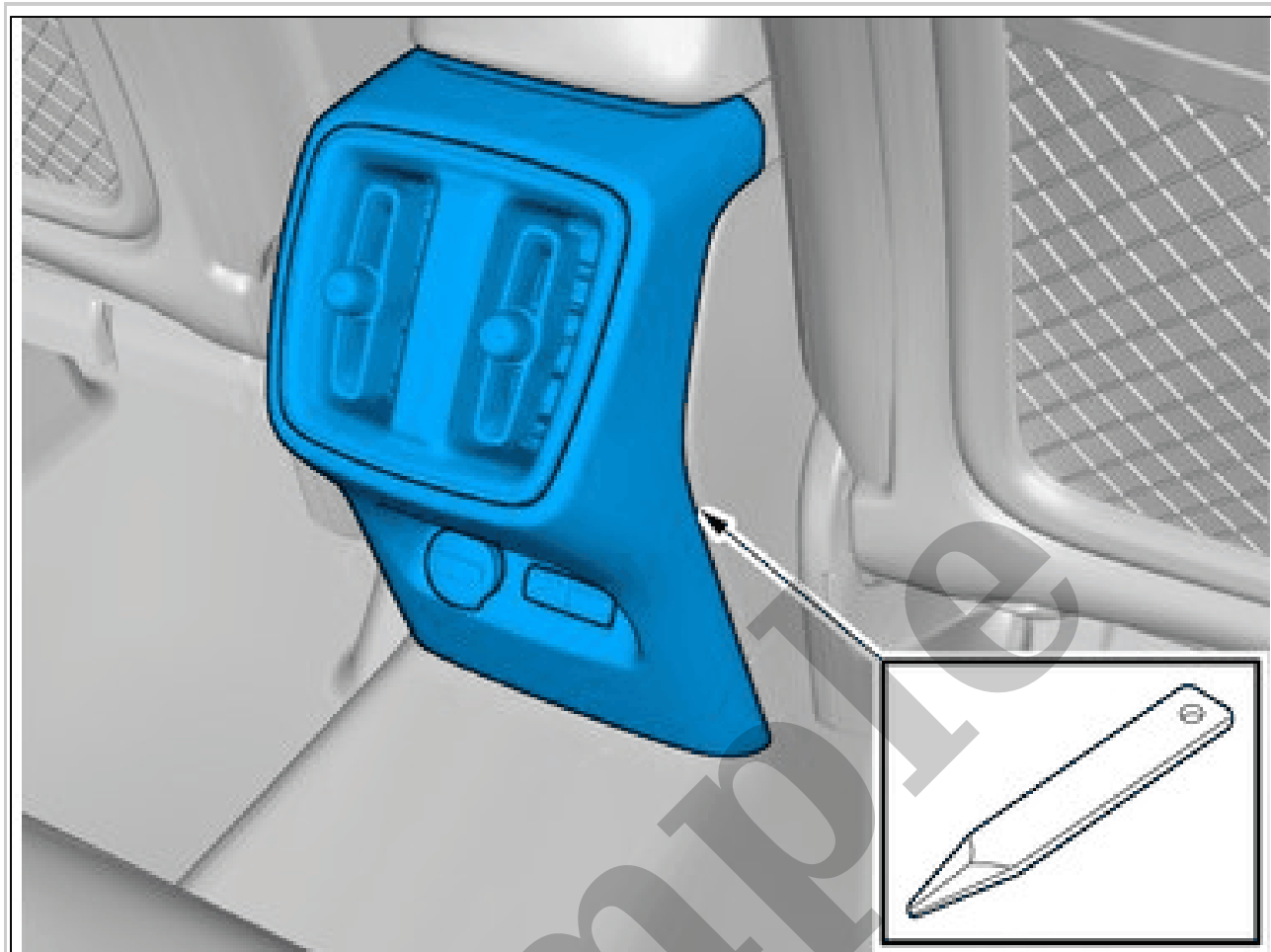
To install, reverse the removal procedure.

Perform power window motor, initiation. Refer to: DOOR WINDOW MOTOR INITIALIZATION

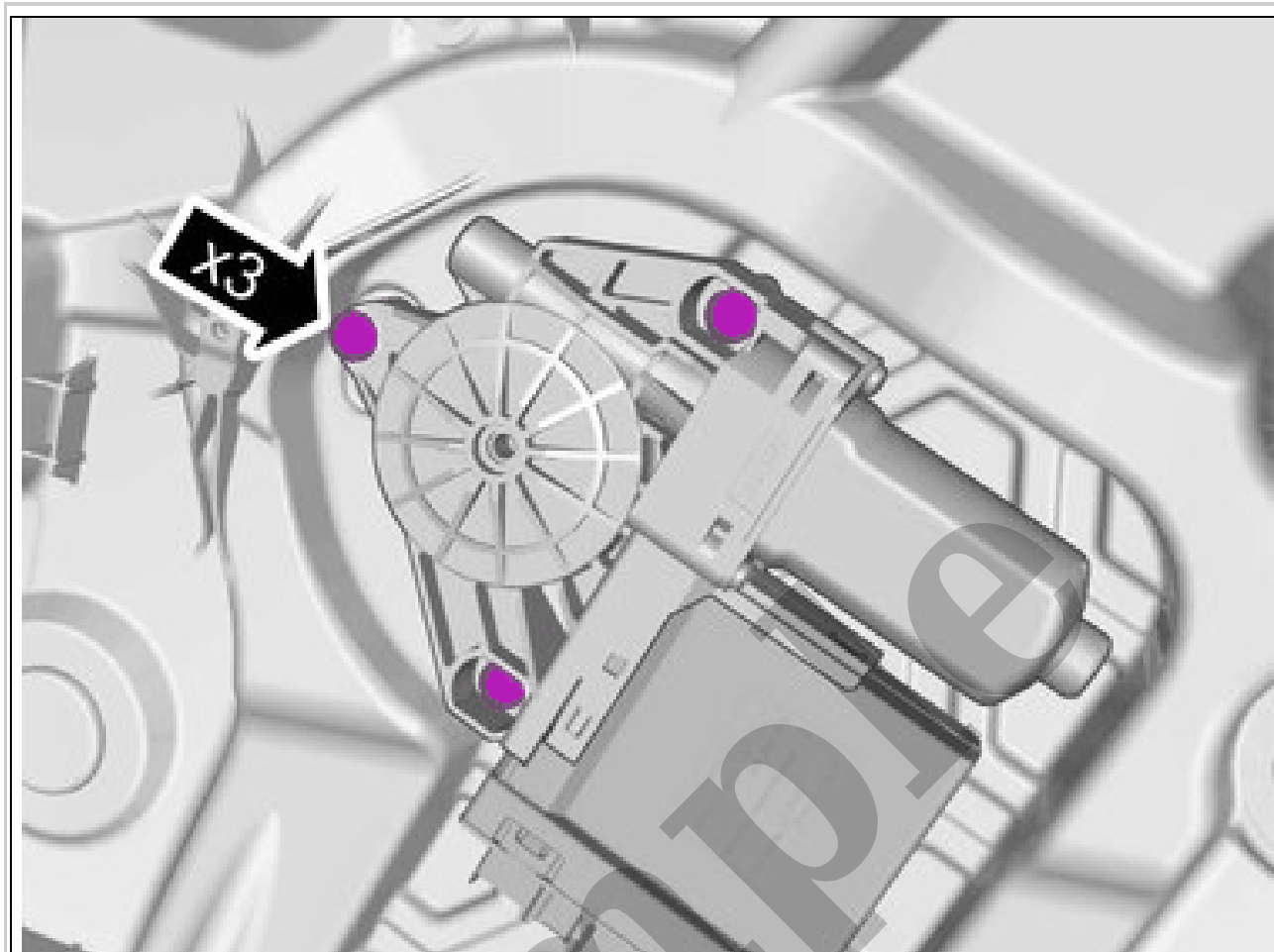
**NOTE:** *This step is only necessary when installing a new component.*

Order and download the appropriate software according to: VIDA/Software/Hardware Changes





Courtesy of VOLVO CARS CORPORATION



Courtesy of VOLVO CARS CORPORATION

Remove the screws.