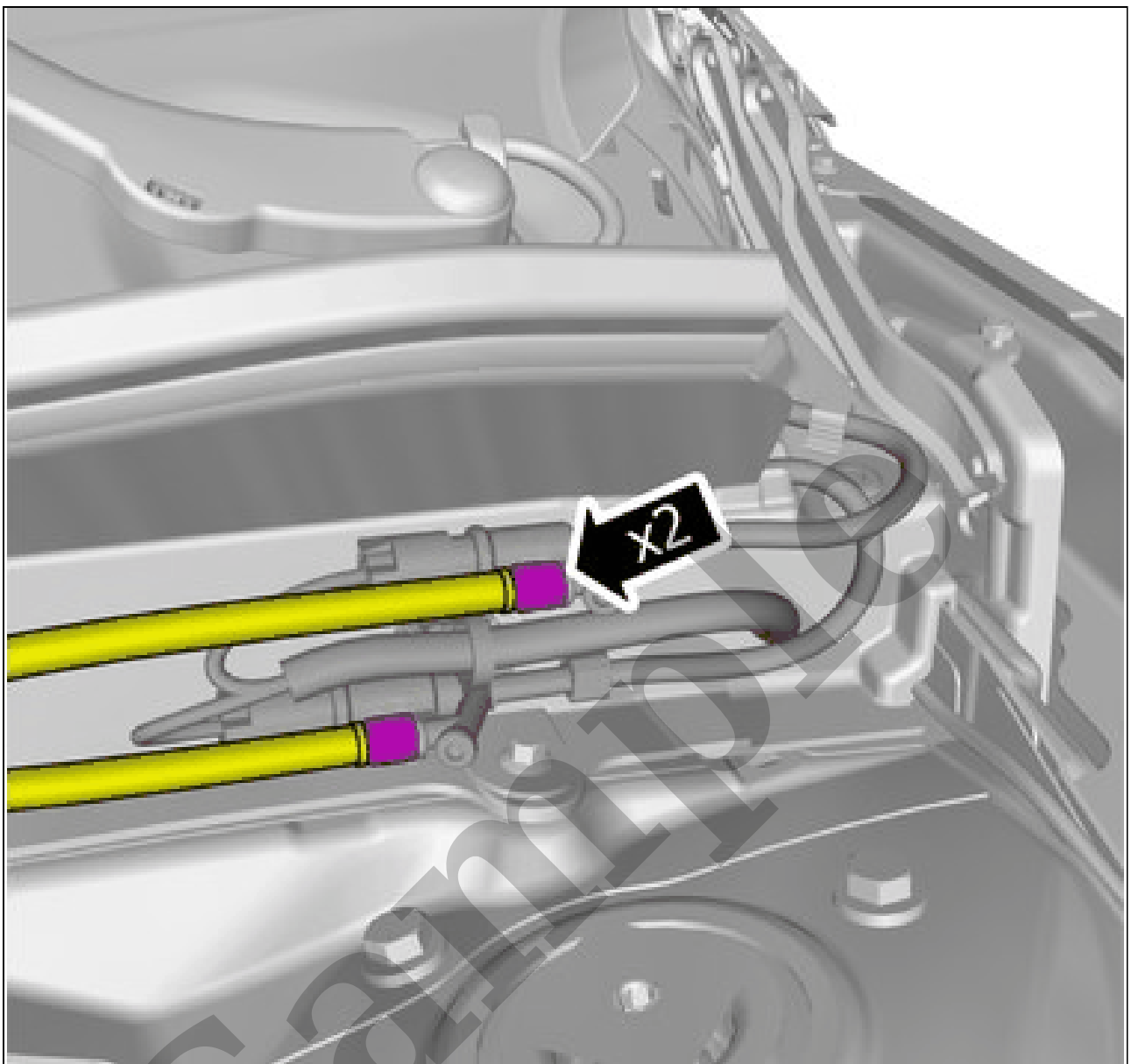


# Your Ultimate Source for OEM Repair Manuals

FactoryManuals.net is a great resource for anyone who wants to save money on repairs by doing their own work. The manuals provide detailed instructions and diagrams that make it easy to understand how to fix a vehicle.

## 1998 VOLVO S80 OEM Service and Repair Workshop Manual

[Go to manual page](#)

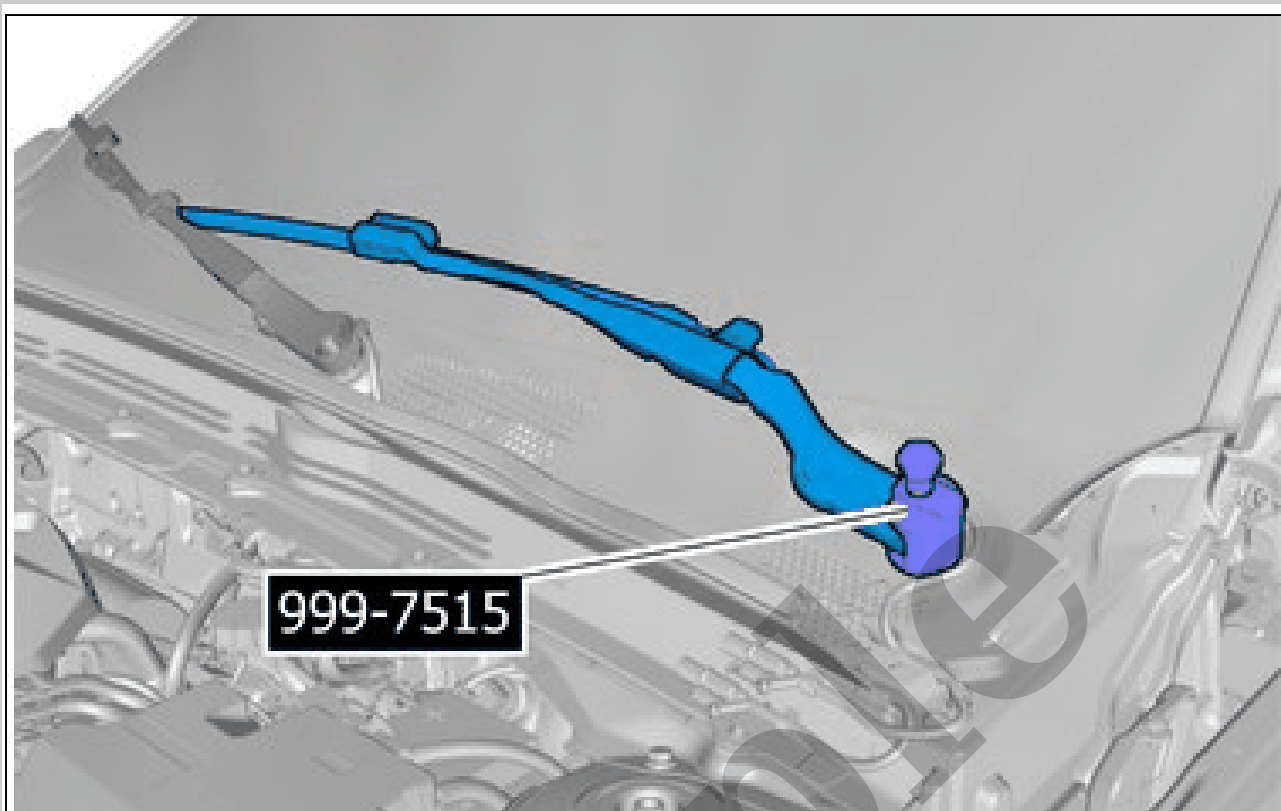


Courtesy of VOLVO CARS CORPORATION

**WARNING:** *Be prepared to collect escaping fluid.*

Undo the hoses from the connections.

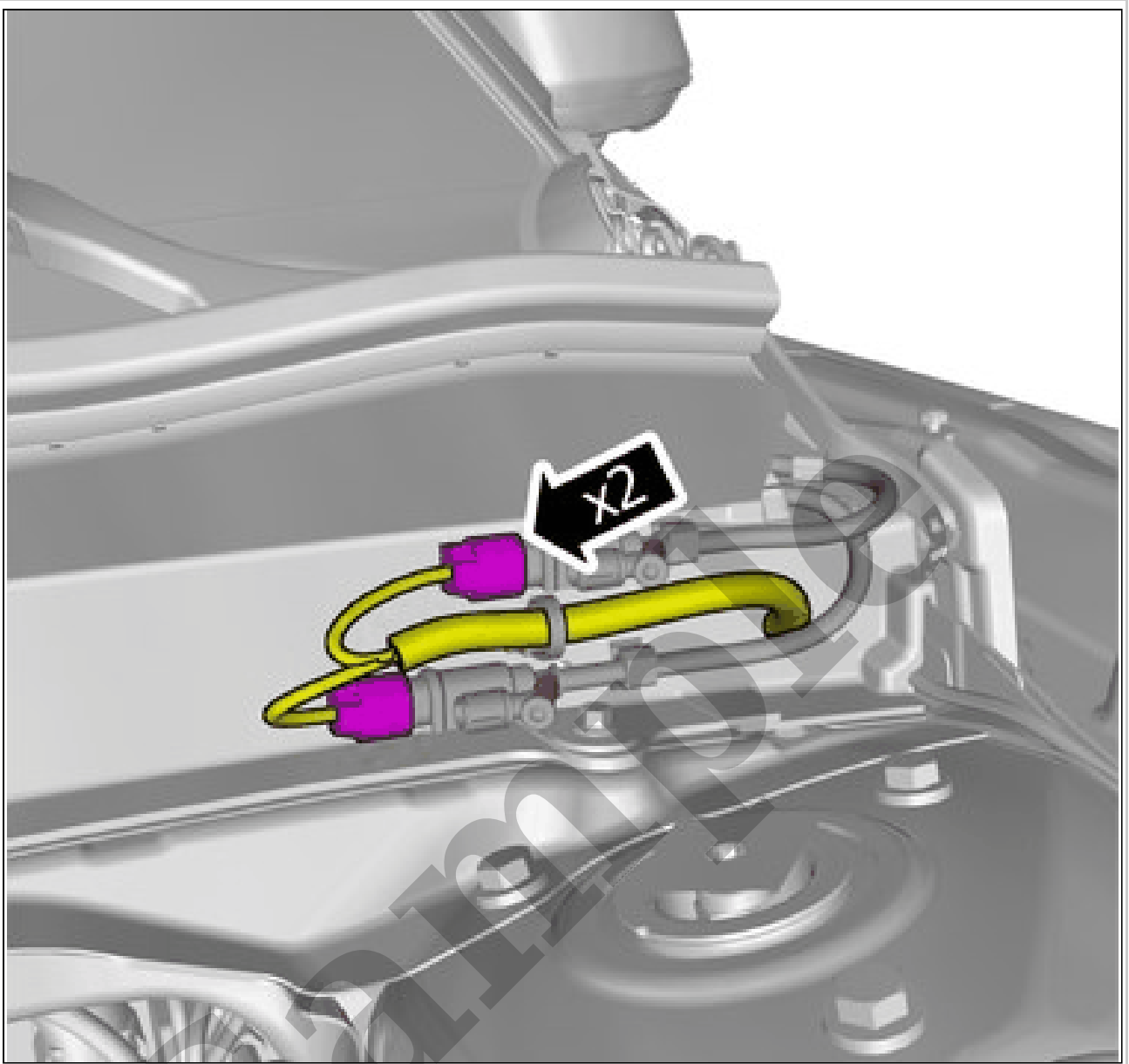
Set the vehicle to Inactive mode, described in user mode. Refer to: USAGE MODE



Courtesy of VOLVO CARS CORPORATION

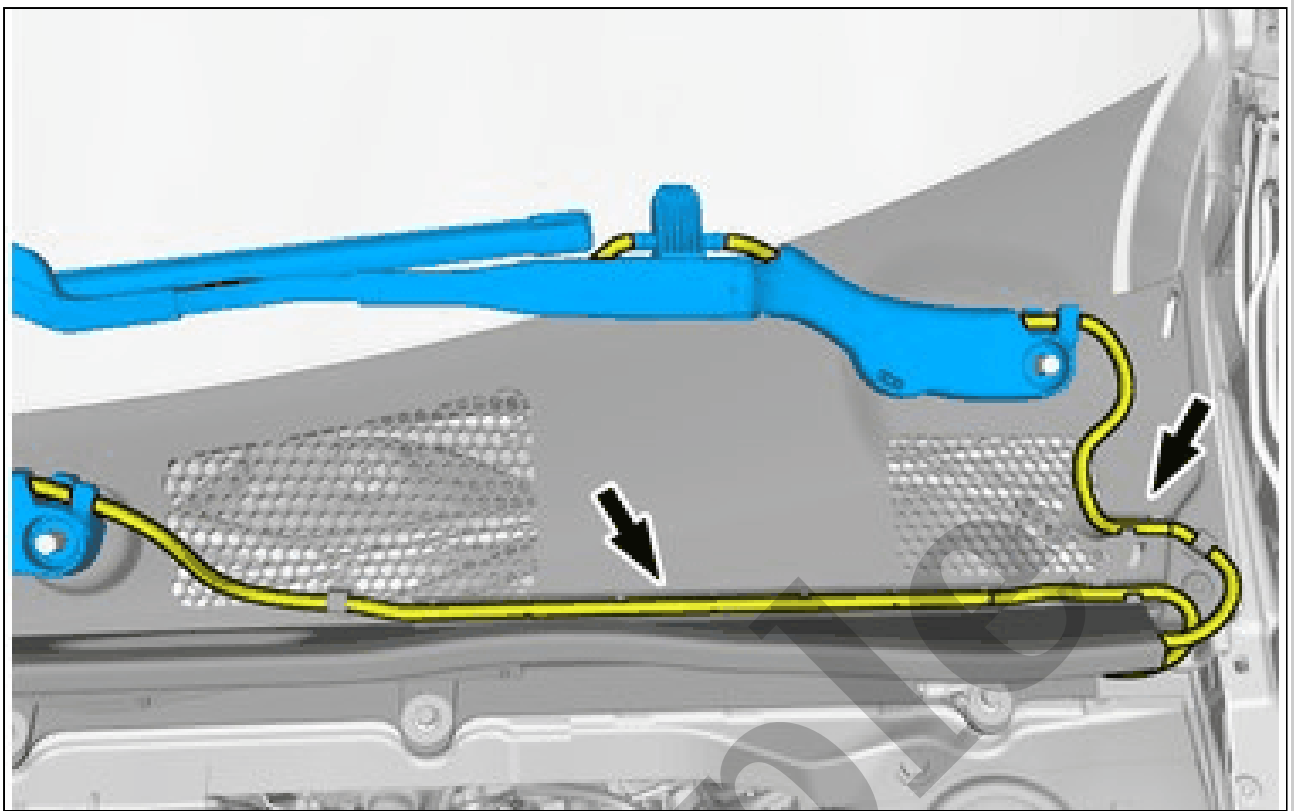
Special Tool: 999 7515 Puller  
Remove the marked part.  
On both sides.

**WIPER ARM > WIPER ARM [2021-2022, E400V6] > INSTALLATION**



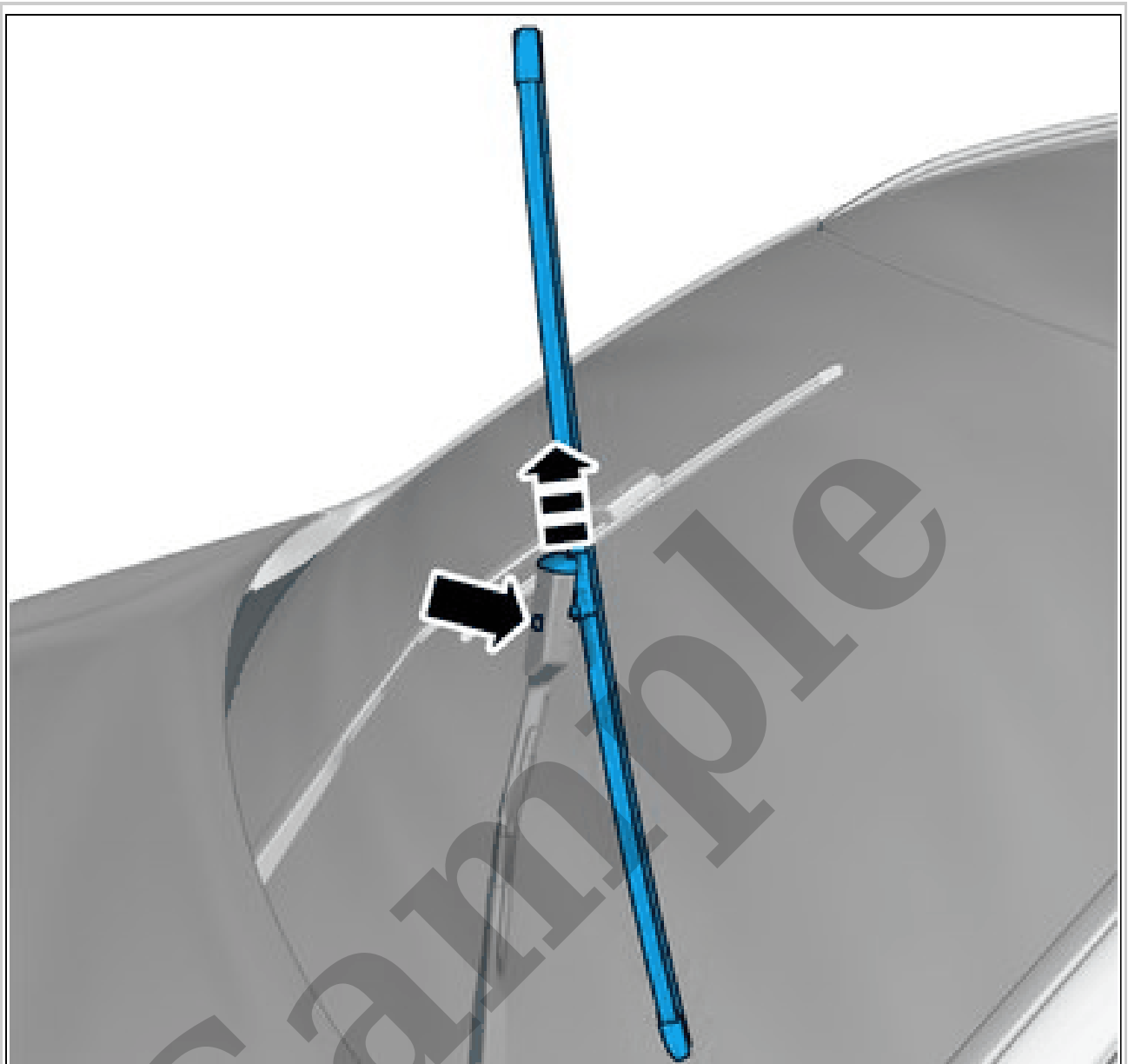
Courtesy of VOLVO CARS CORPORATION

Disconnect the connectors.



Courtesy of VOLVO CARS CORPORATION

**CAUTION:** *Note the routing of the lines and hoses.*



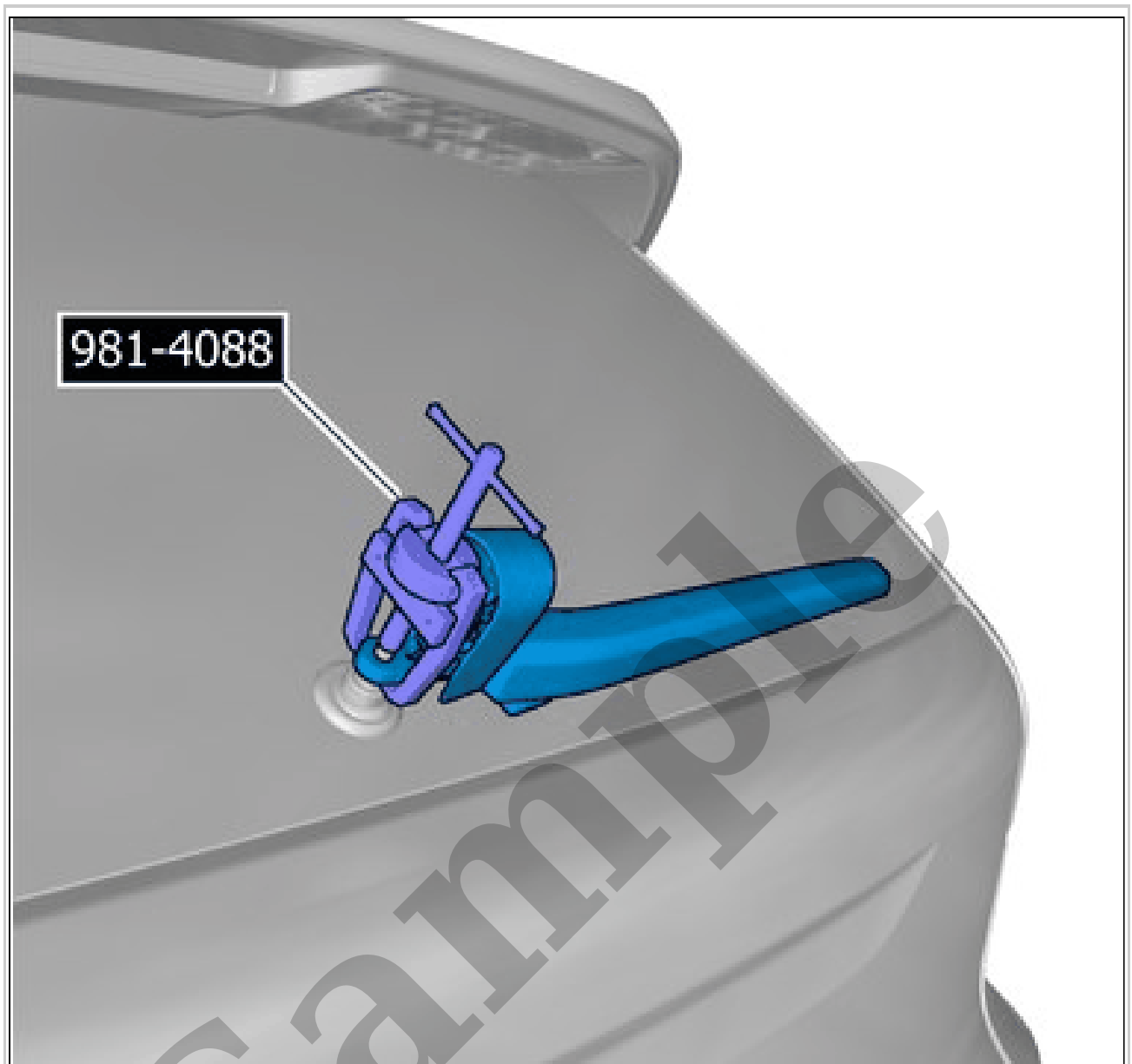
Courtesy of VOLVO CARS CORPORATION

Release the lock.  
Remove the marked part.

#### **WIPER BLADE > WIPER BLADE [2018-2022] > INSTALLATION**

To install, reverse the removal procedure.

#### **WIPER MECHANISM, WINDSHIELD > WIPER MECHANISM, WINDSHIELD [2018-2022] > REMOVAL**



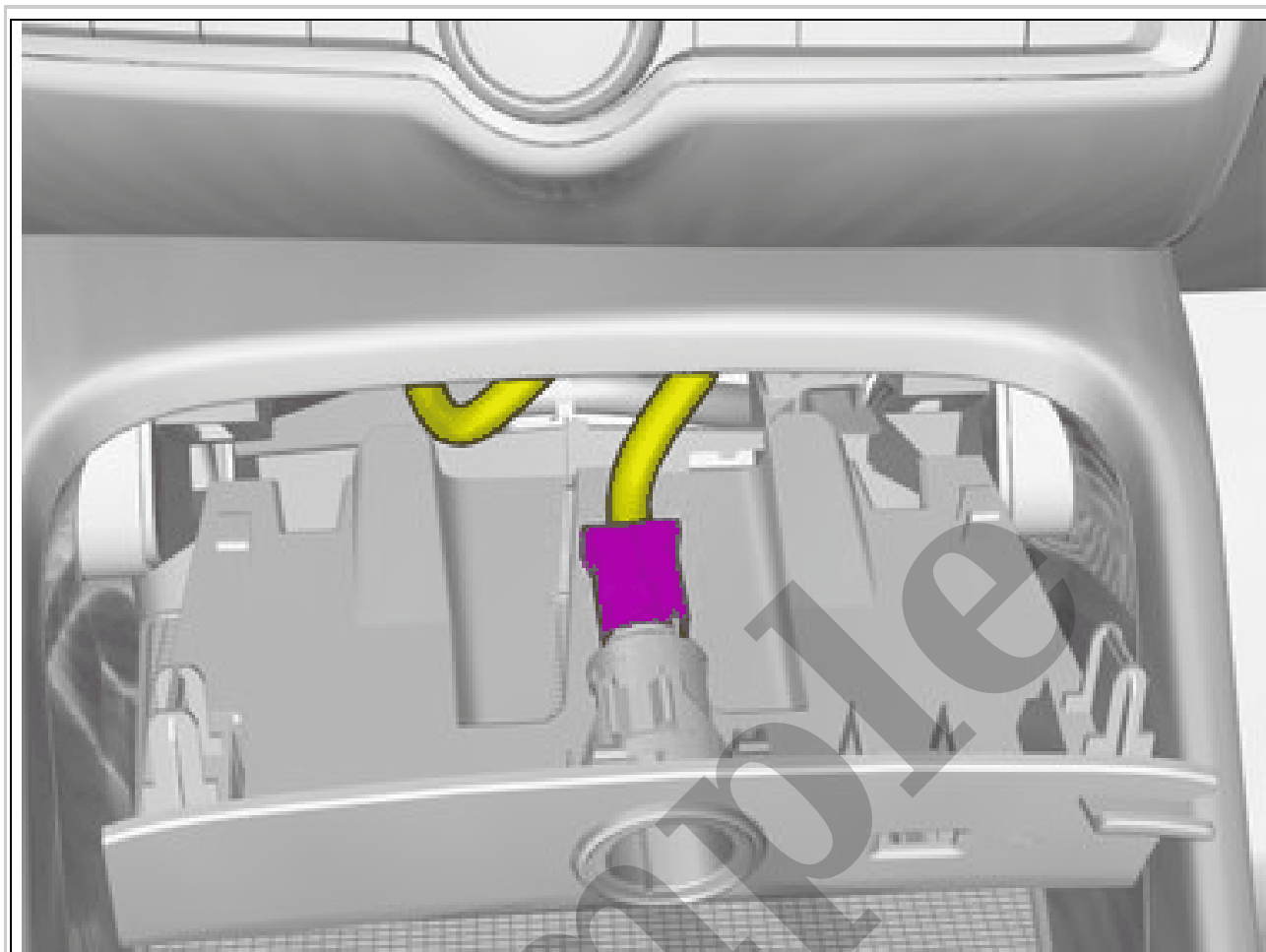
Courtesy of VOLVO CARS CORPORATION

Special Tool: 981 4088 Puller

Remove the marked part.

Remove the tailgate/trunk lid trim panel. Refer to: TAILGATE/TRUNK LID PANEL

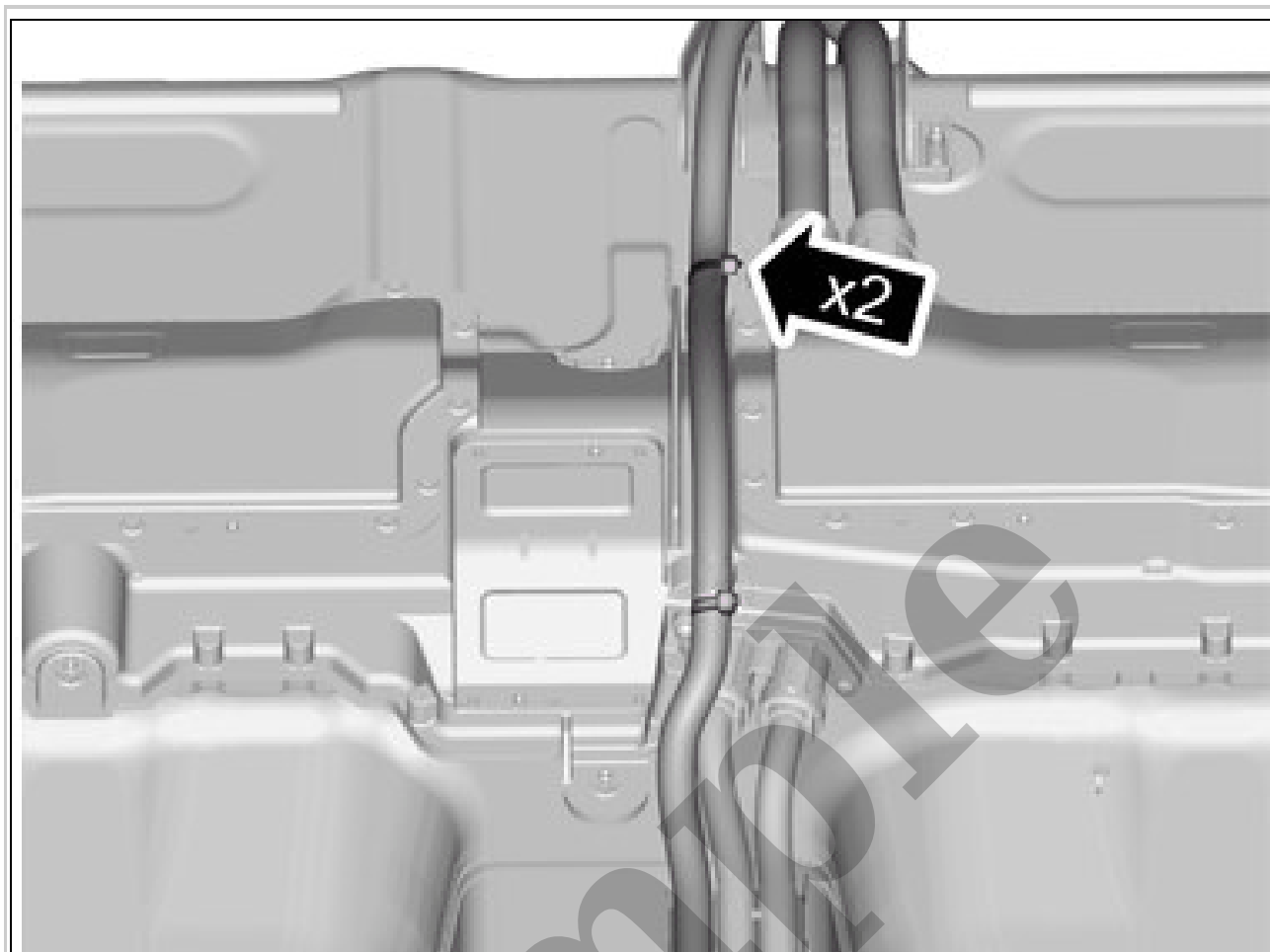
Set the vehicle to Inactive mode, described in user mode. Refer to: USAGE MODE



Courtesy of VOLVO CARS CORPORATION

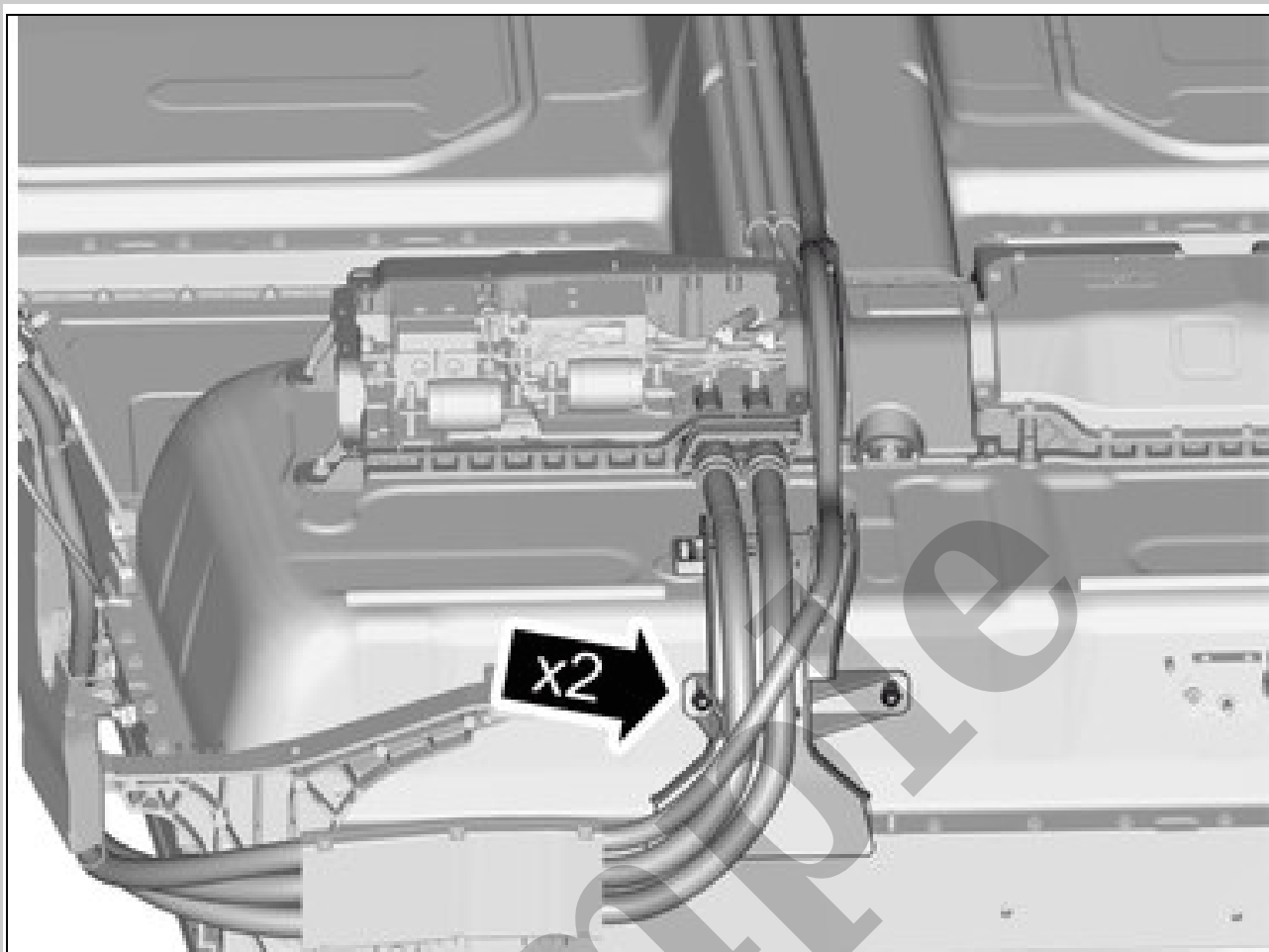
Disconnect the connector.





Courtesy of VOLVO CARS CORPORATION

Remove the clips.



Courtesy of VOLVO CARS CORPORATION

Remove the nuts.