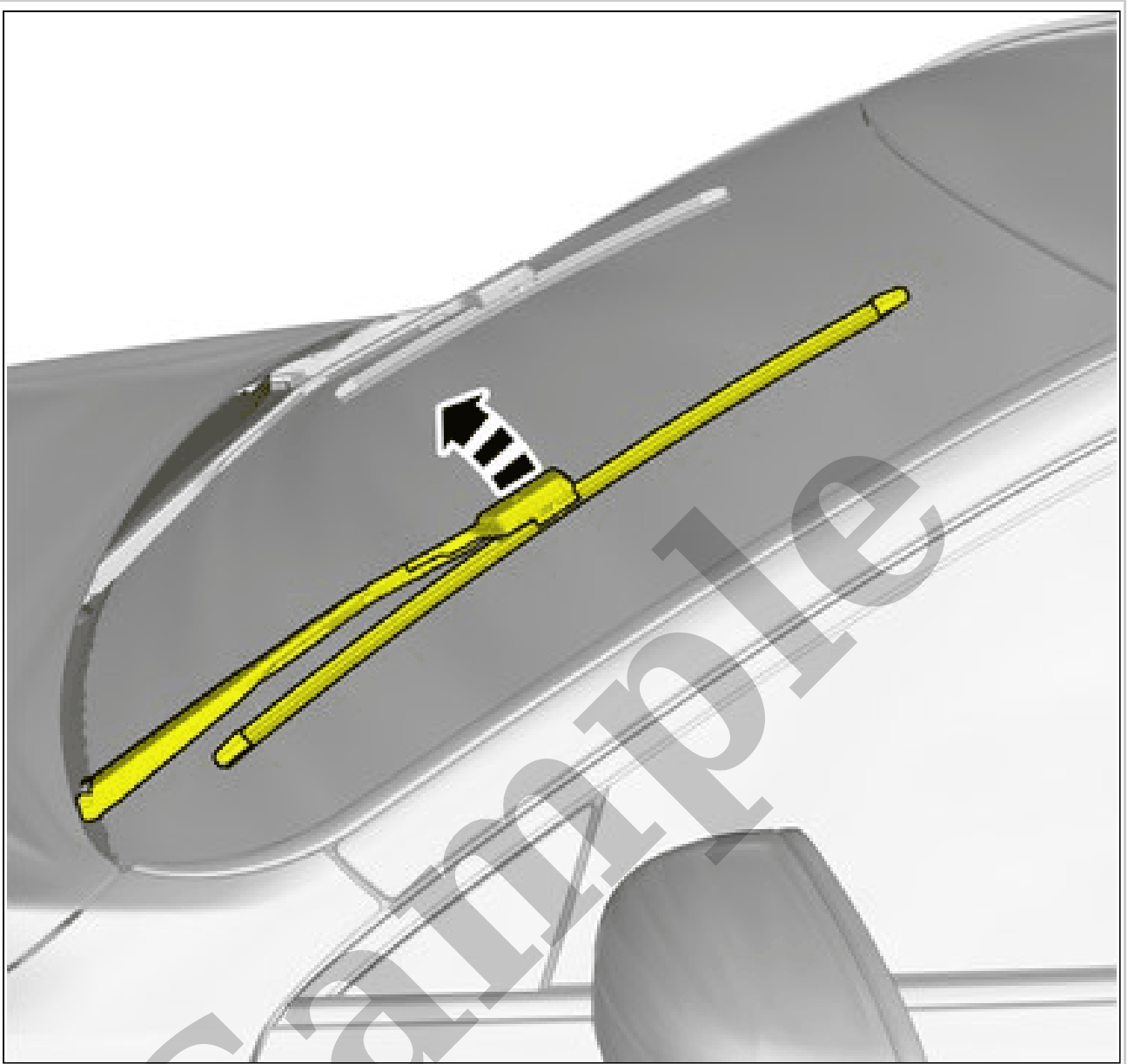


Your Ultimate Source for OEM Repair Manuals

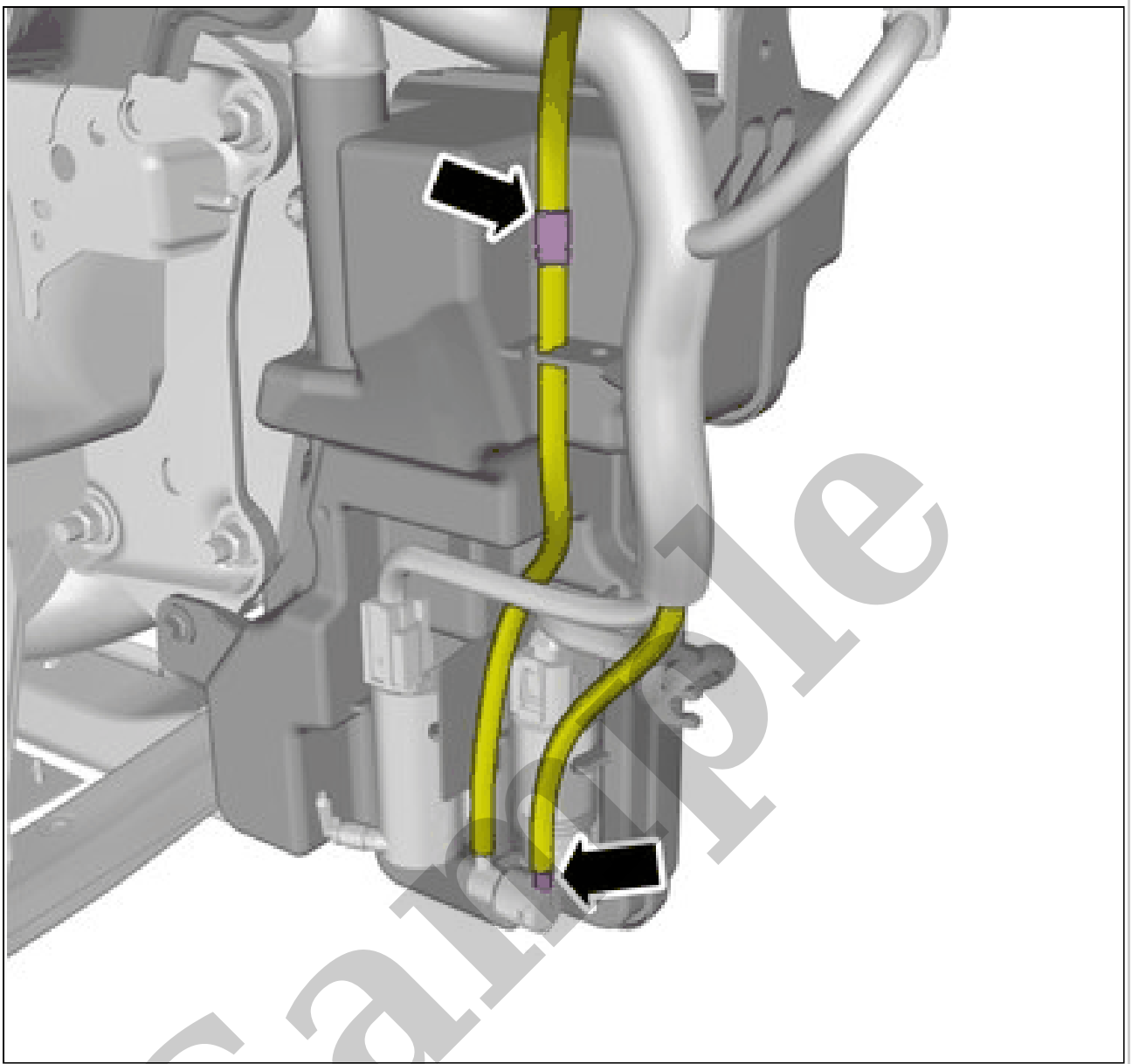
FactoryManuals.net is a great resource for anyone who wants to save money on repairs by doing their own work. The manuals provide detailed instructions and diagrams that make it easy to understand how to fix a vehicle.

1998 VOLVO S70 R OEM Service and Repair Workshop Manual

[Go to manual page](#)



Courtesy of VOLVO CARS CORPORATION

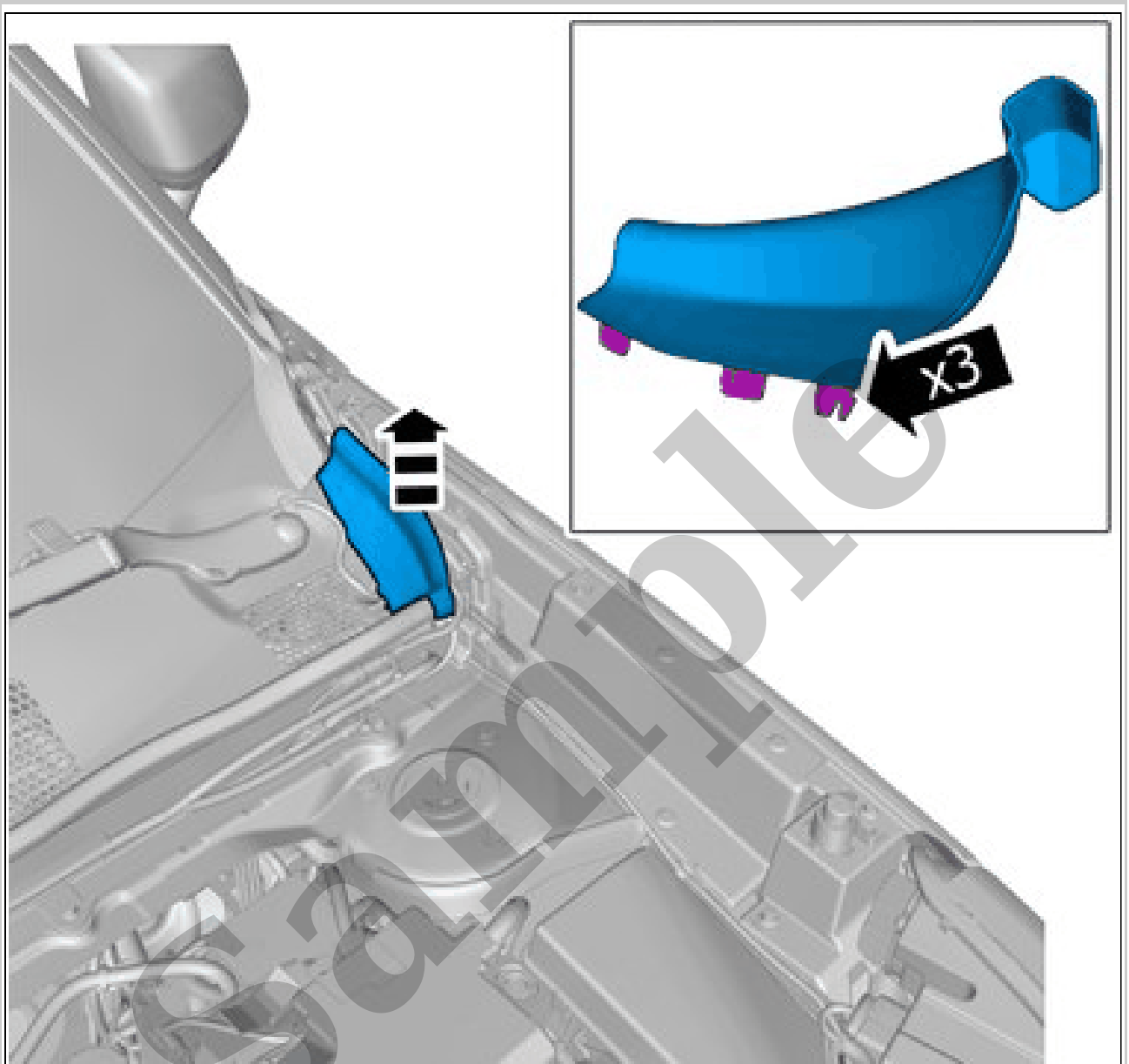


Courtesy of VOLVO CARS CORPORATION

WARNING: *Be prepared to collect escaping fluid.*

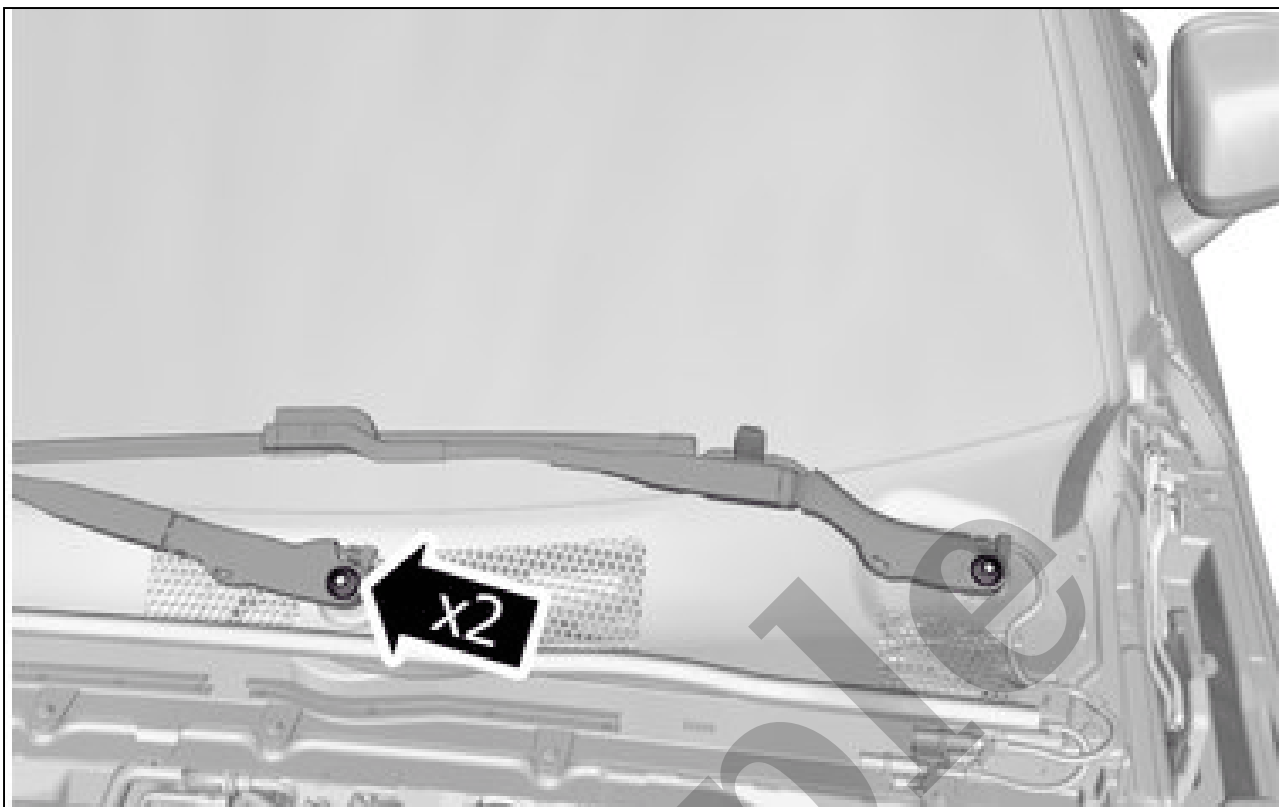
Undo the hoses from the connections.

installation details.



Courtesy of VOLVO CARS CORPORATION

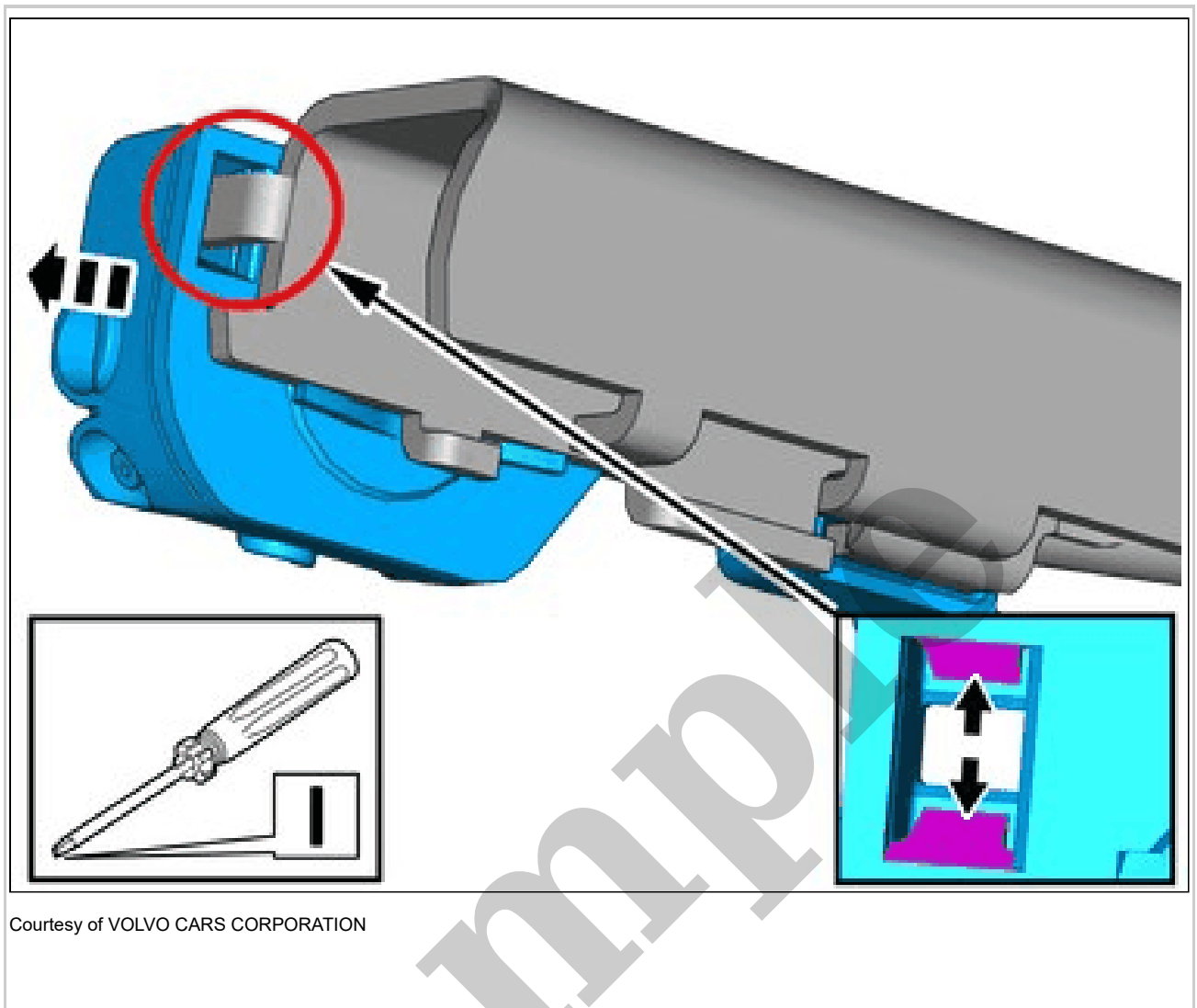
Remove the marked part.



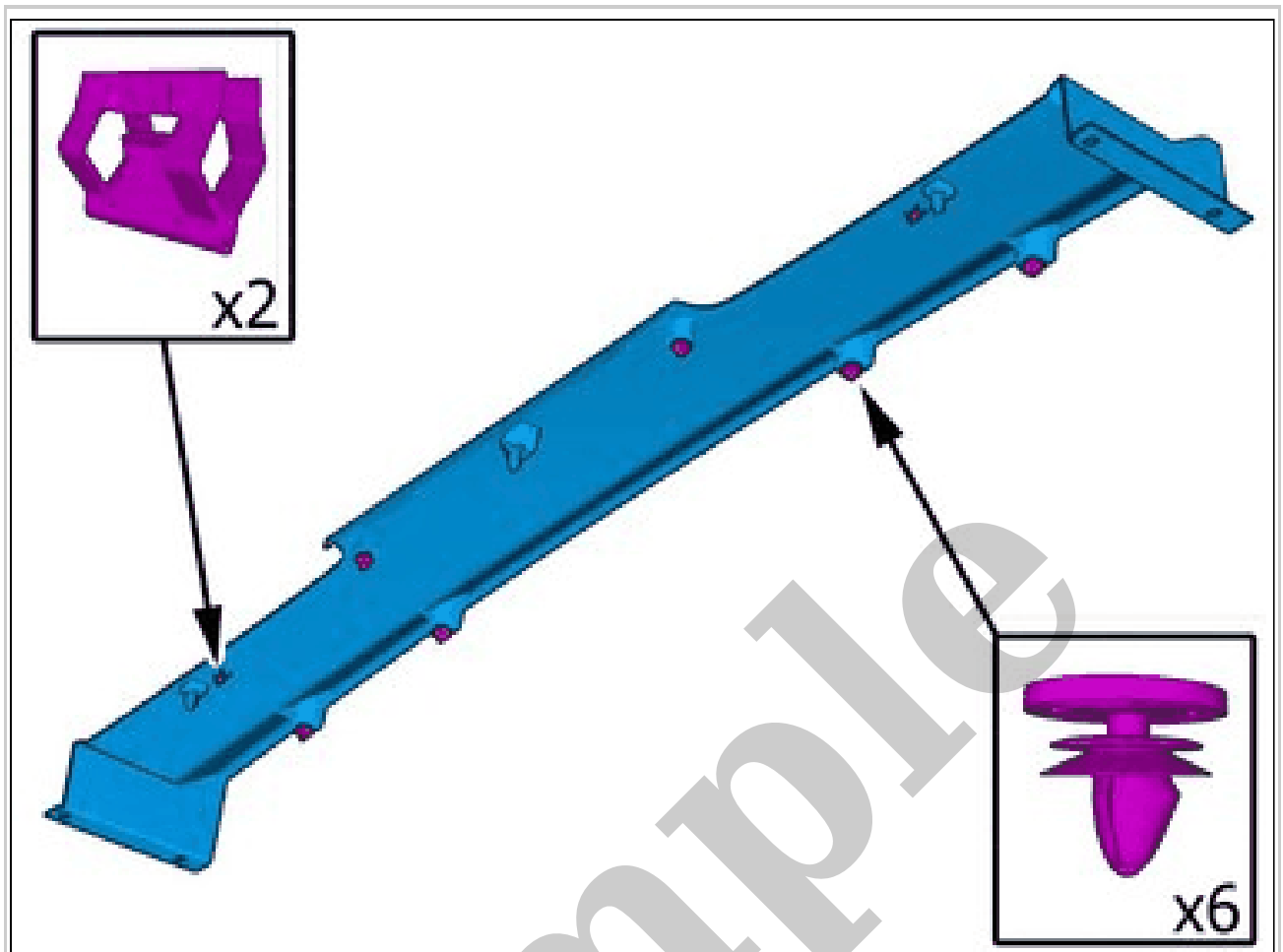
Courtesy of VOLVO CARS CORPORATION

Remove the nuts.

Torque: Windshield wiper arm, 28Nm



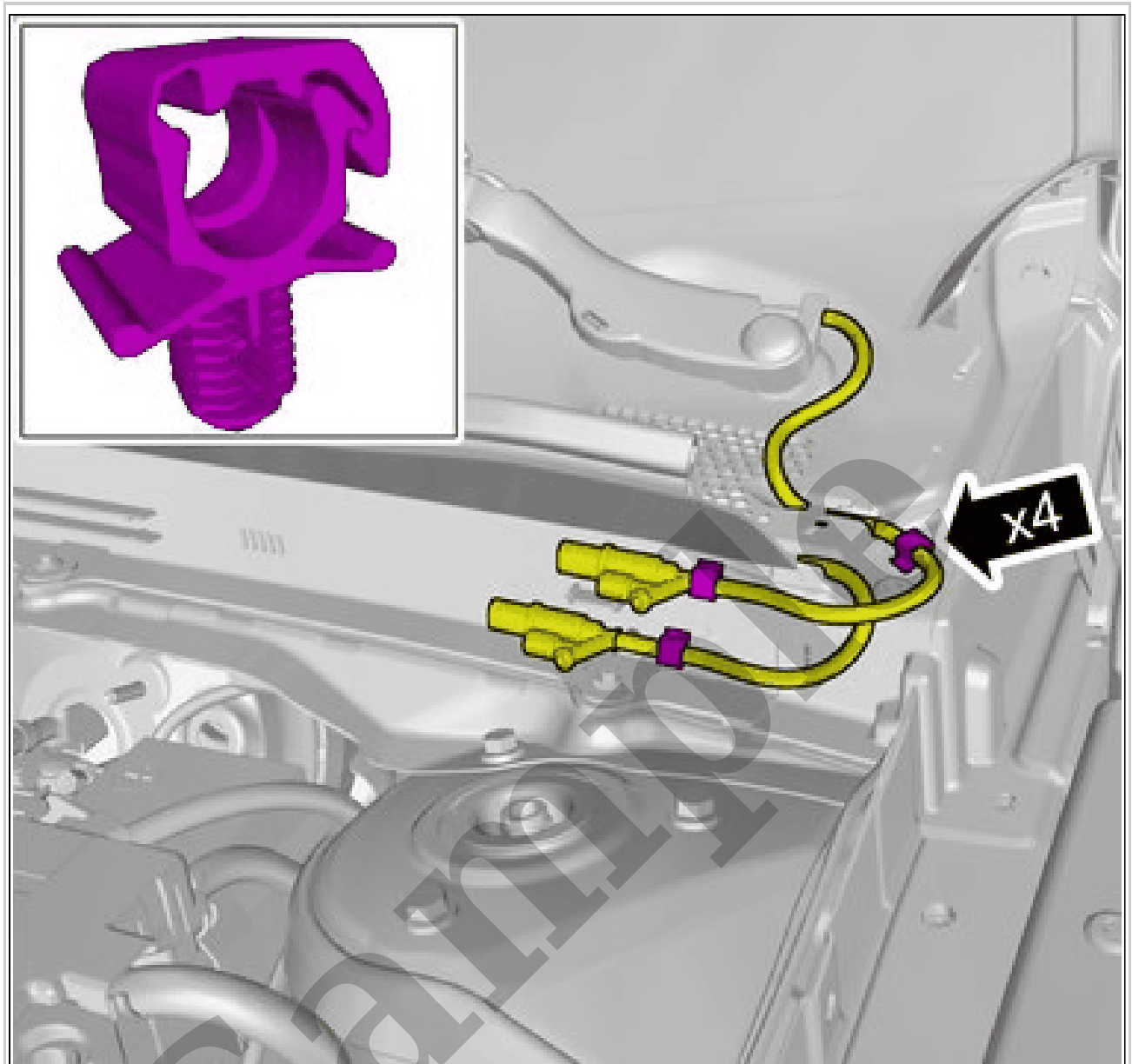
Release the catches.
Loosen the component indicated. Do not remove it.
Use: Electrician's screwdriver



Courtesy of VOLVO CARS CORPORATION

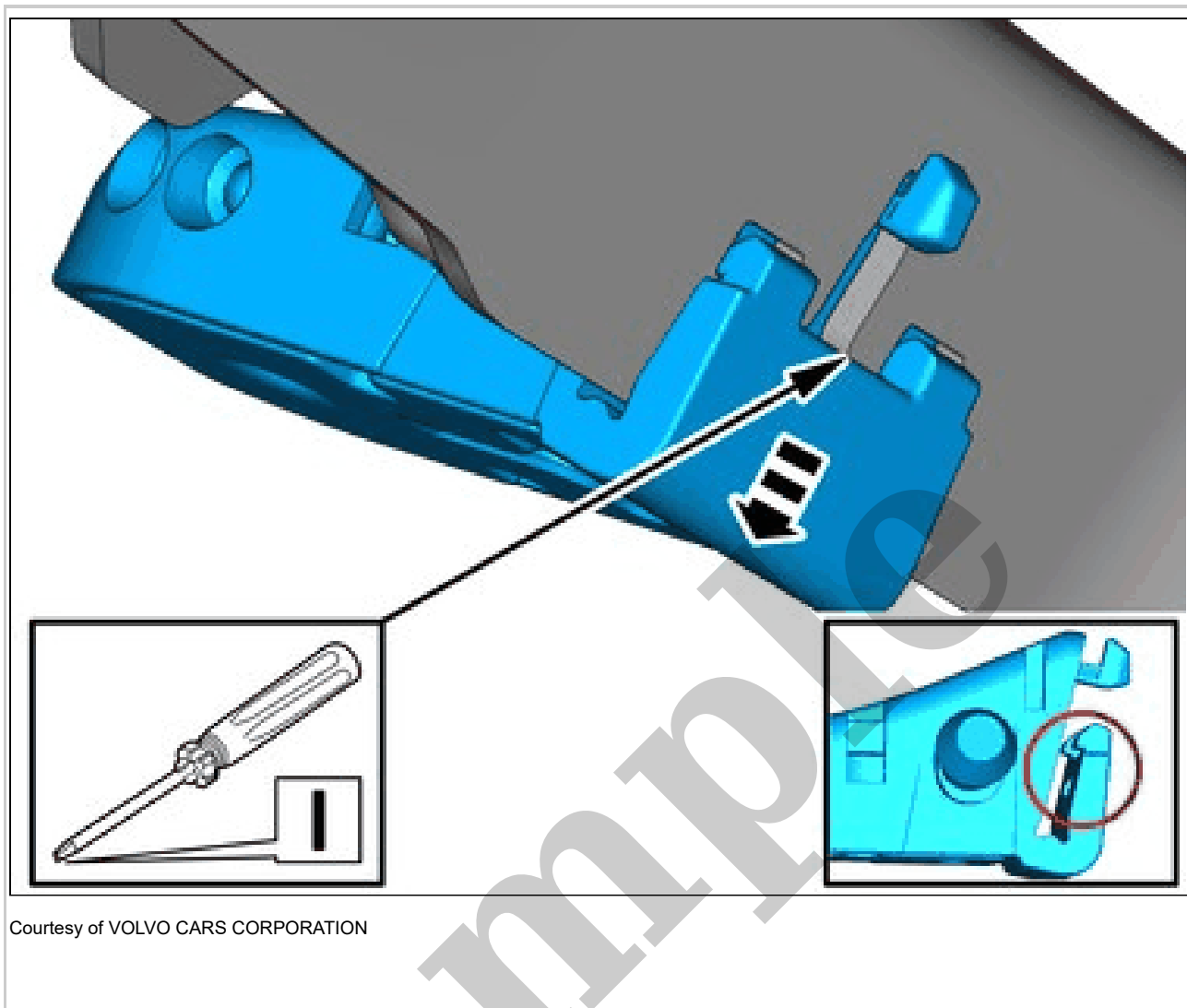
NOTE: *Orientation view*

The graphic shows the back of the component.



Courtesy of VOLVO CARS CORPORATION

Loosen the clips.



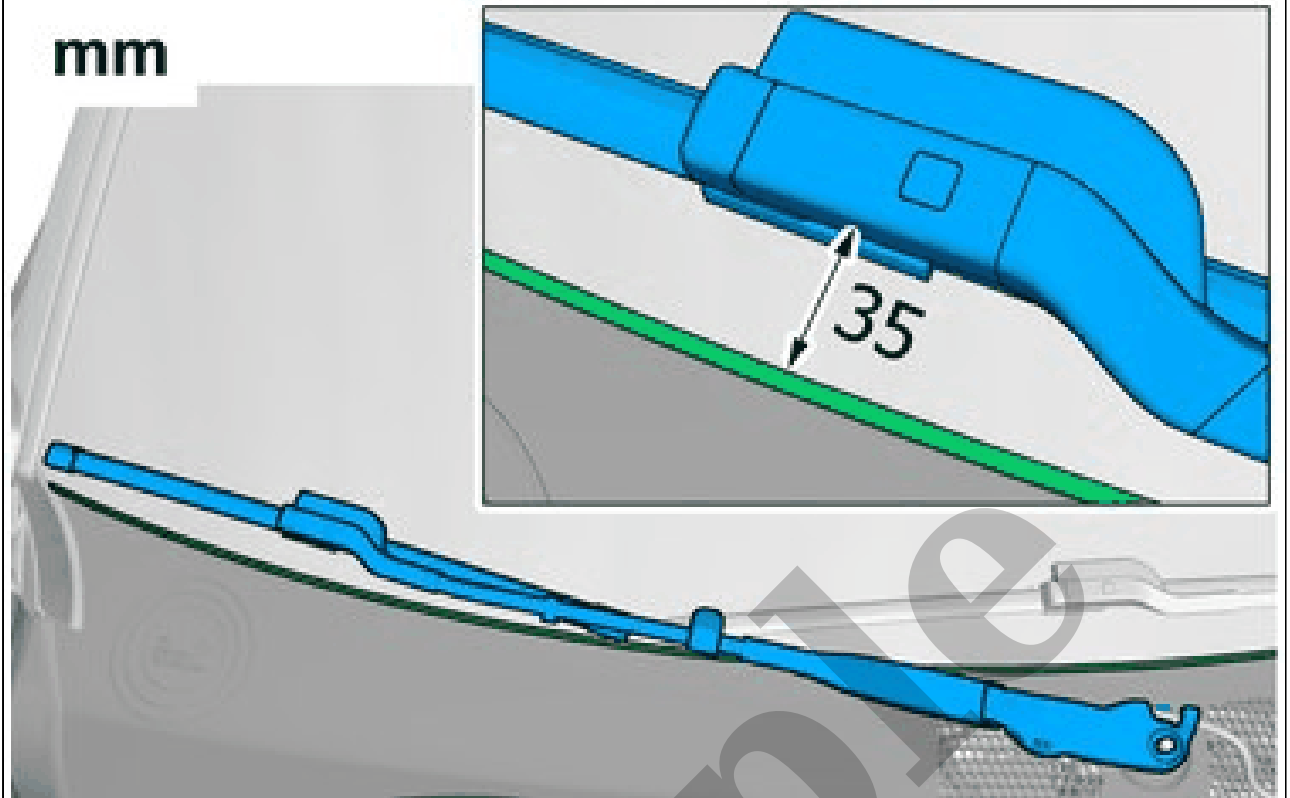
Courtesy of VOLVO CARS CORPORATION

Release the catches.

Loosen the marked detail.

Use: Electrician's screwdriver

mm



Courtesy of VOLVO CARS CORPORATION

Adjust to the specified value.
Tighten the nut.