

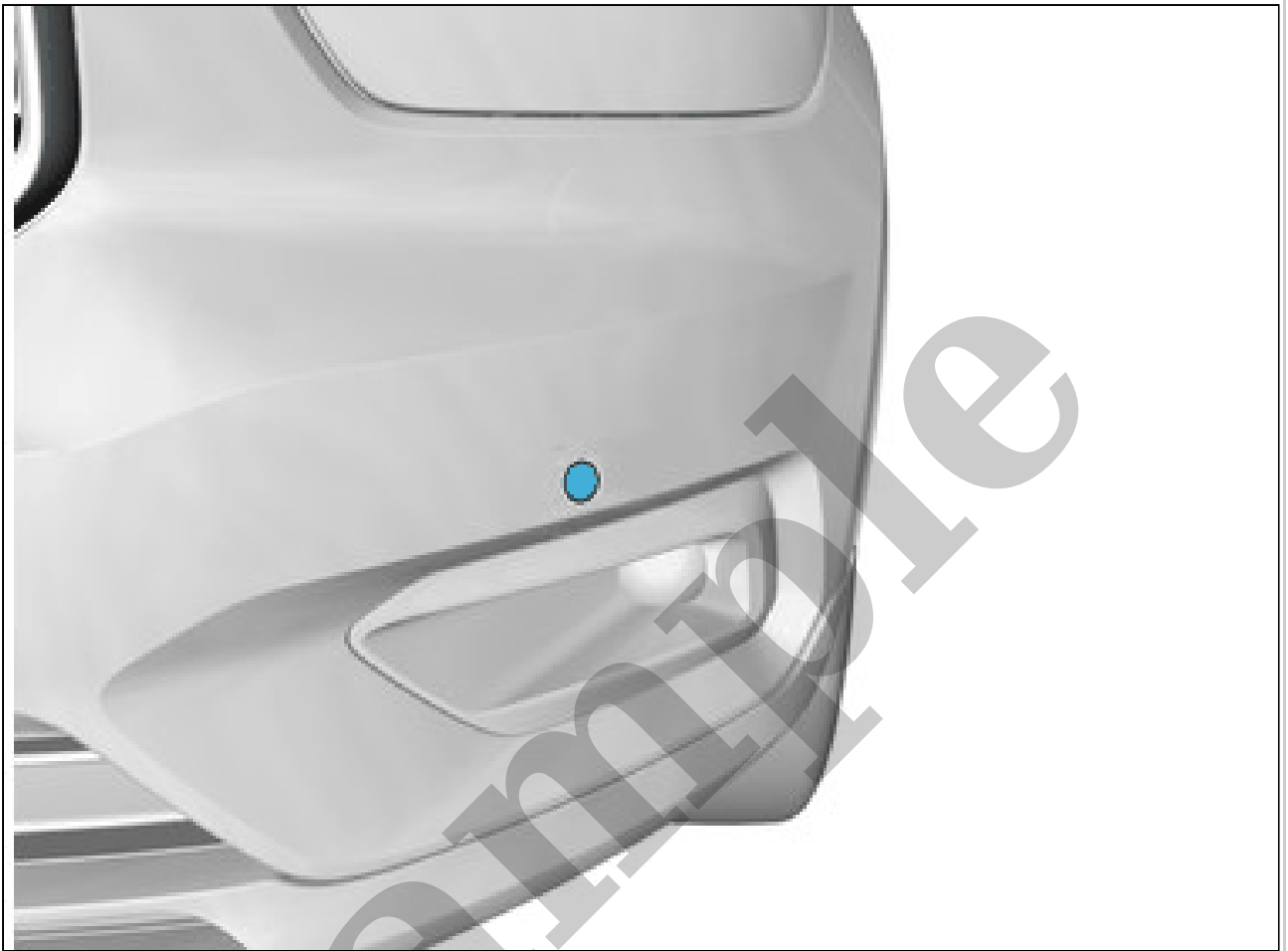
Your Ultimate Source for OEM Repair Manuals

FactoryManuals.net is a great resource for anyone who wants to save money on repairs by doing their own work. The manuals provide detailed instructions and diagrams that make it easy to understand how to fix a vehicle.

1998 VOLVO 940 Estate OEM Service and Repair Workshop Manual

[Go to manual page](#)

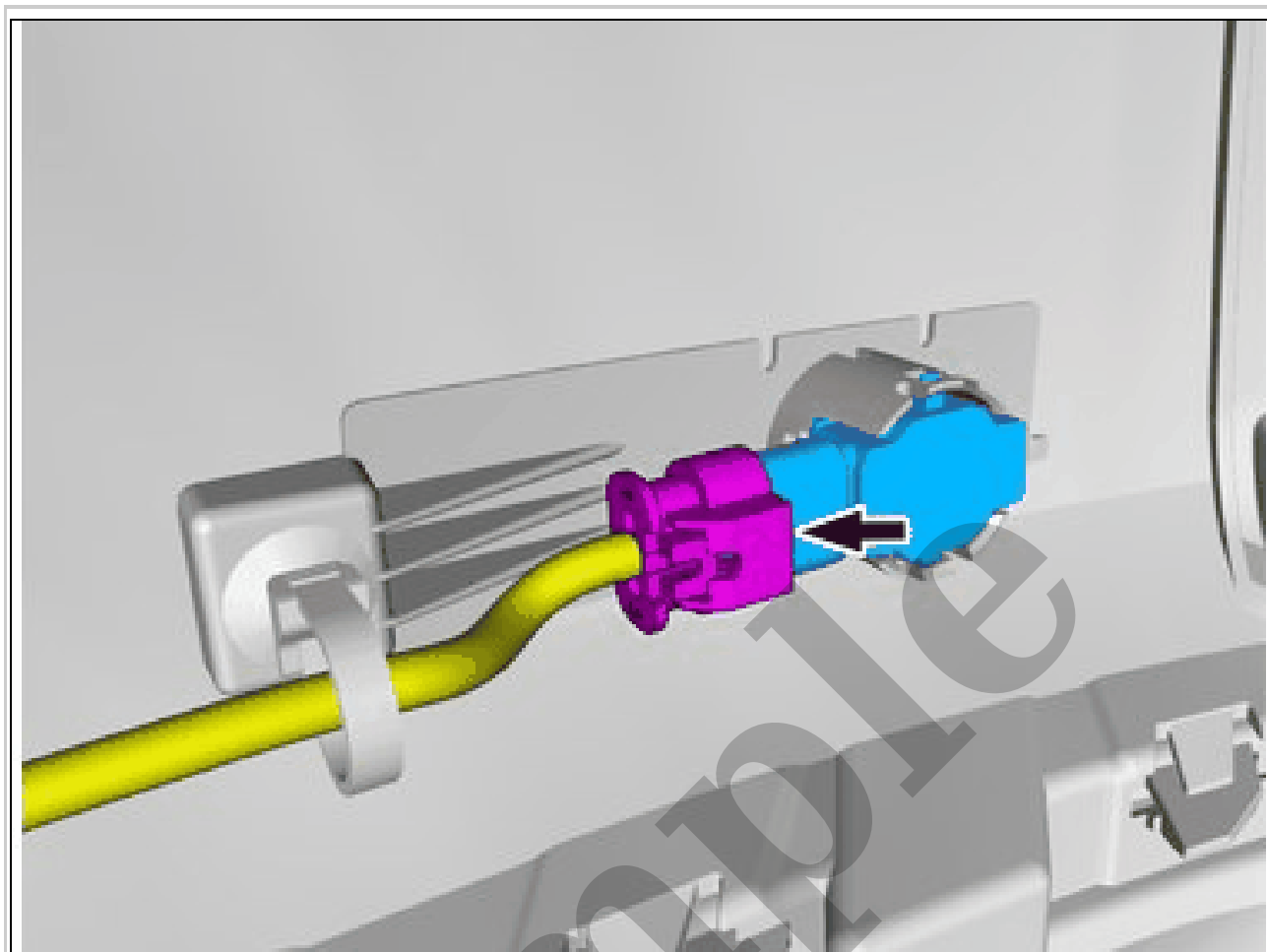
NOTE: Removal steps in this procedure may contain installation details.



Courtesy of VOLVO CARS CORPORATION

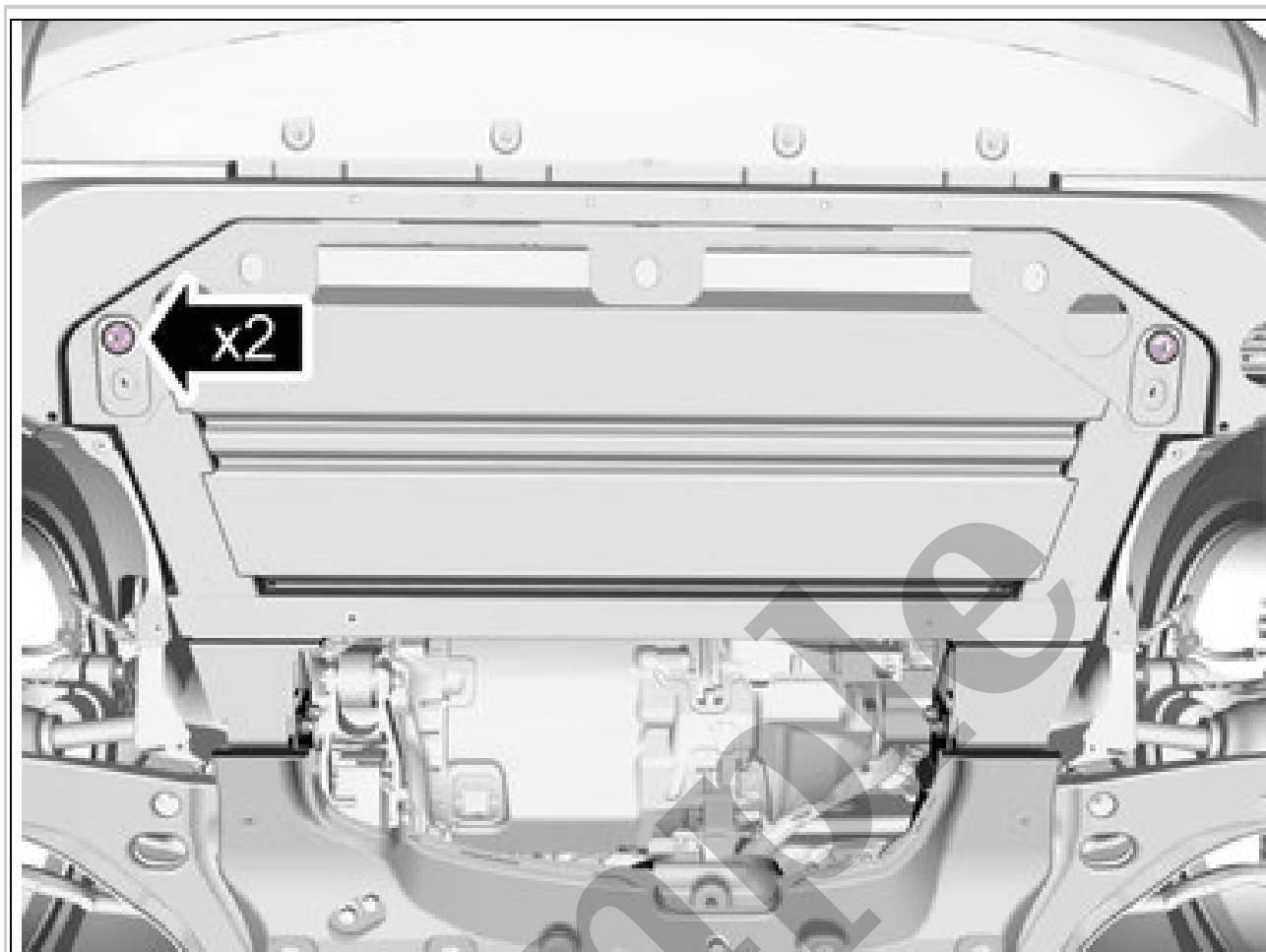
NOTE: Orientation view

Set the vehicle to Inactive mode, described in user mode. Refer to: USAGE MODE
Remove relevant side wheel. Refer to: WHEELS



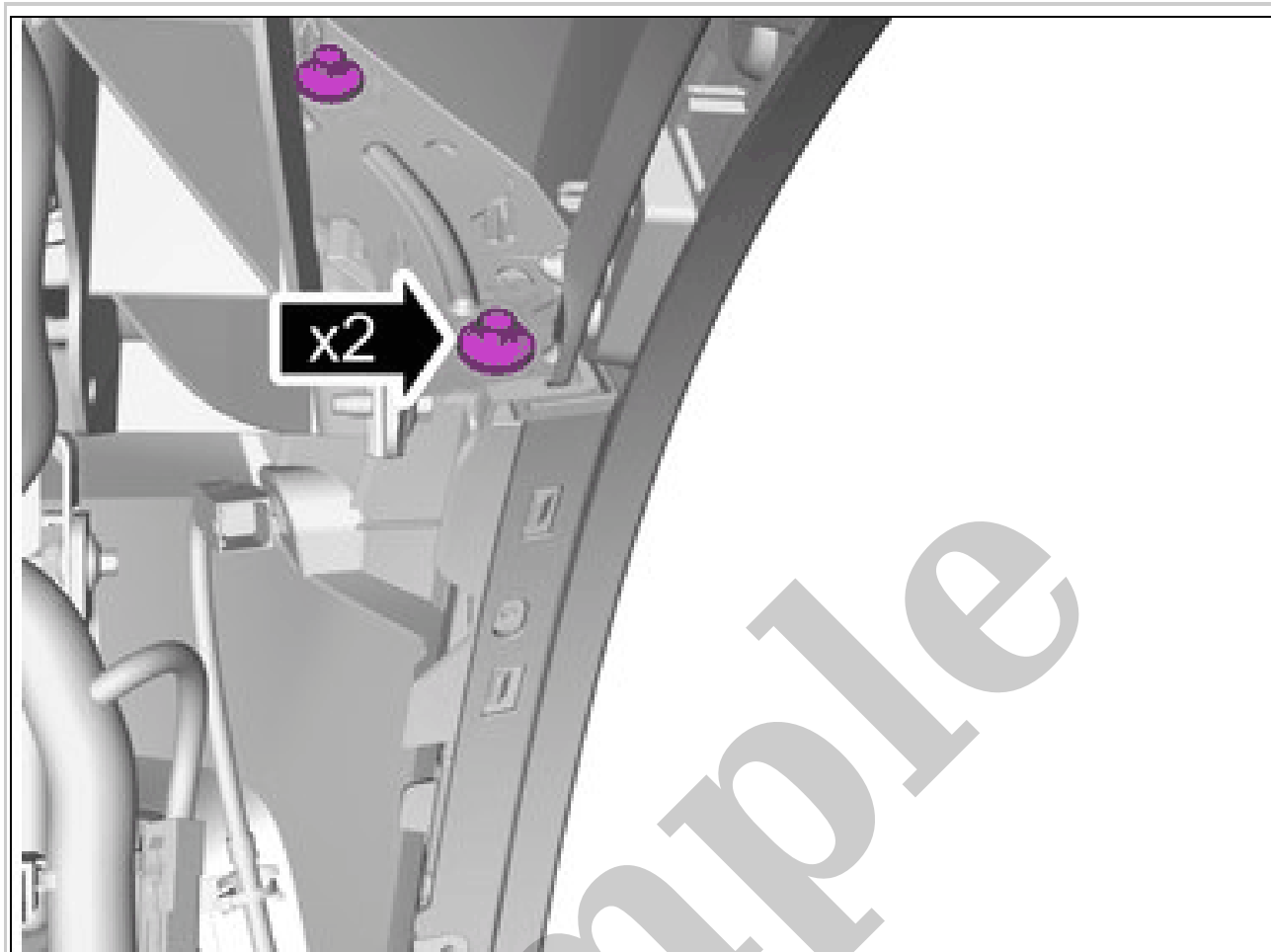
Courtesy of VOLVO CARS CORPORATION

Disconnect the connector.



Courtesy of VOLVO CARS CORPORATION

Remove the clips.
Remove right side wheel. Refer to: WHEELS



Courtesy of VOLVO CARS CORPORATION

Remove the screws.

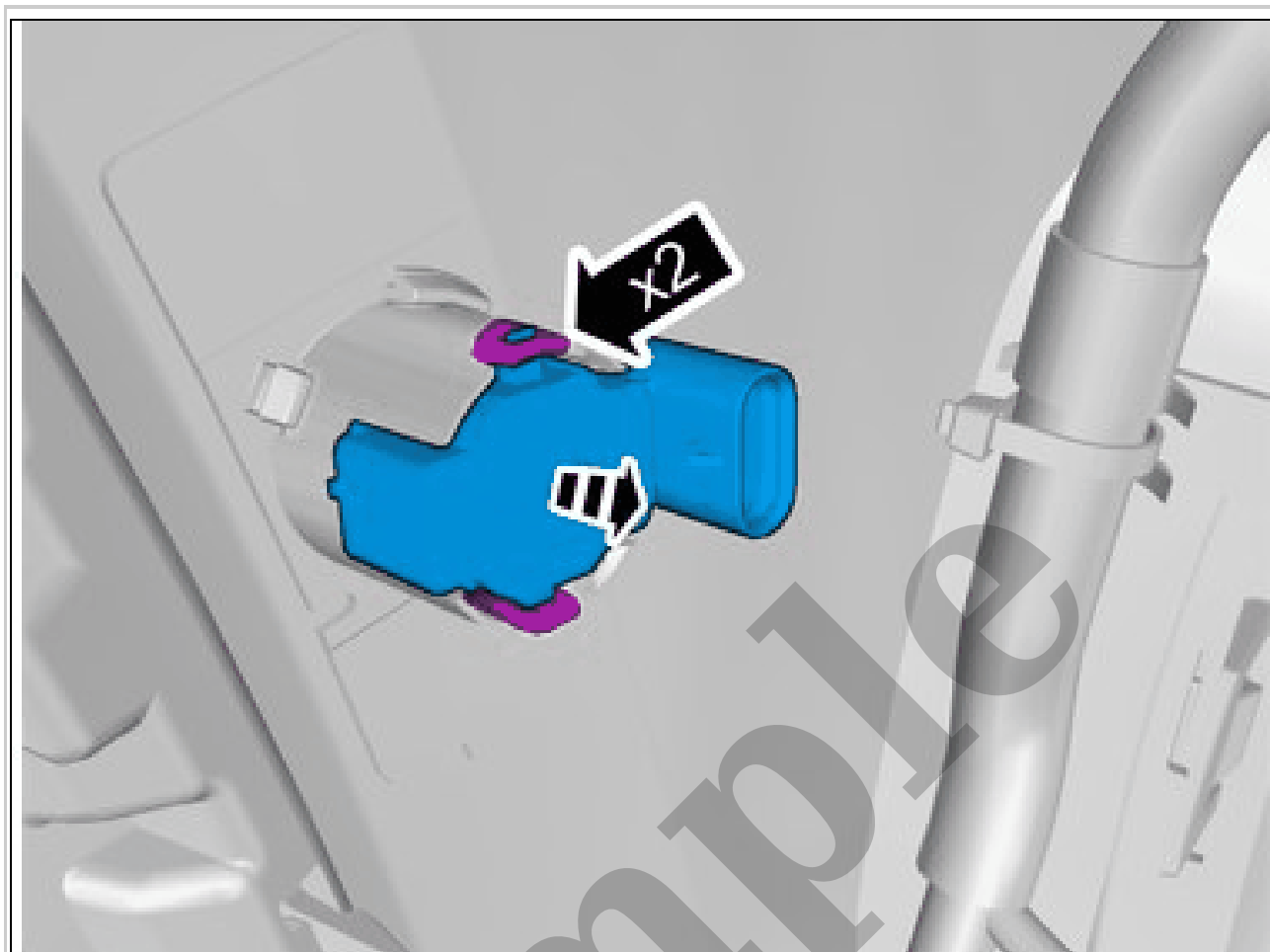
Torque: Bracket to front fender, 6Nm



Courtesy of VOLVO CARS CORPORATION

NOTE: *Orientation view*

Set the vehicle to Inactive mode, described in user mode. Refer to: USAGE MODE
Remove relevant side wheel. Refer to: WHEELS



Courtesy of VOLVO CARS CORPORATION

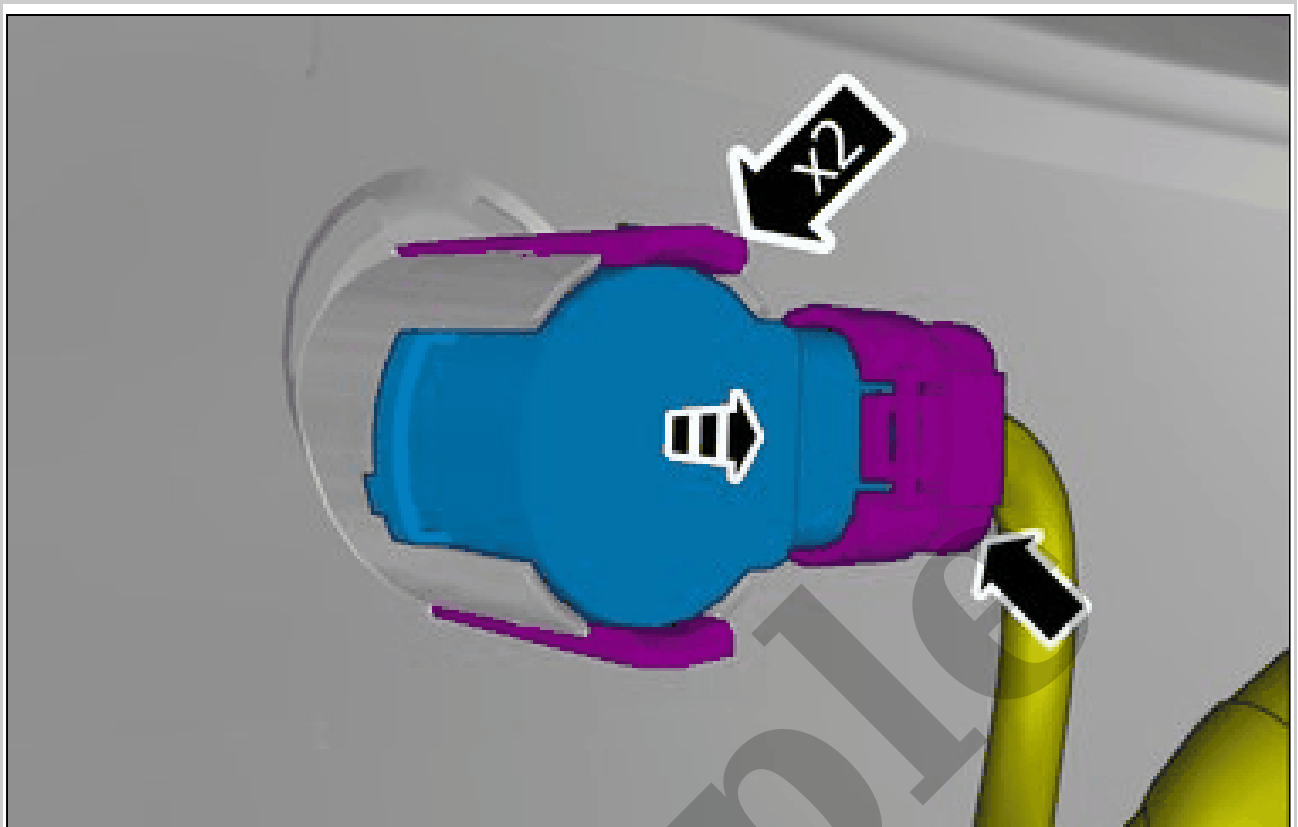
Remove the marked part.

PARKING ASSISTANCE SENSOR, FRONT, SIDE > PARKING ASSISTANCE SENSOR, FRONT, SIDE [2018-2021 | 2022, B4204T18 | 2022, B4204T47] > INSTALLATION

To install, reverse the removal procedure.

PARKING ASSISTANCE SENSOR, REAR > PARKING ASSISTANCE SENSOR, REAR [2018-2020] > REMOVAL AND INSTALLATION

REMOVAL



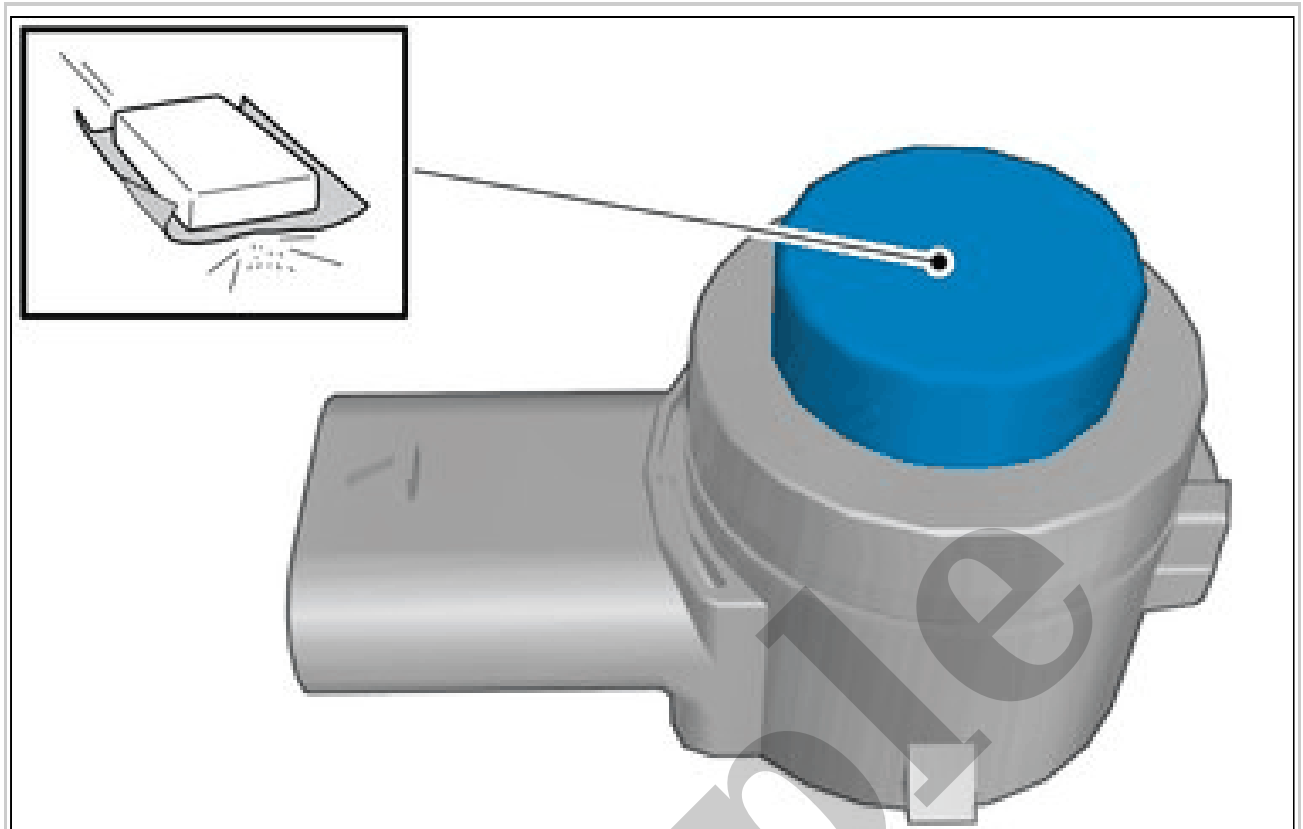
Courtesy of VOLVO CARS CORPORATION

Disconnect the connector.
Release the catches.
Remove the marked part.

REMOVAL

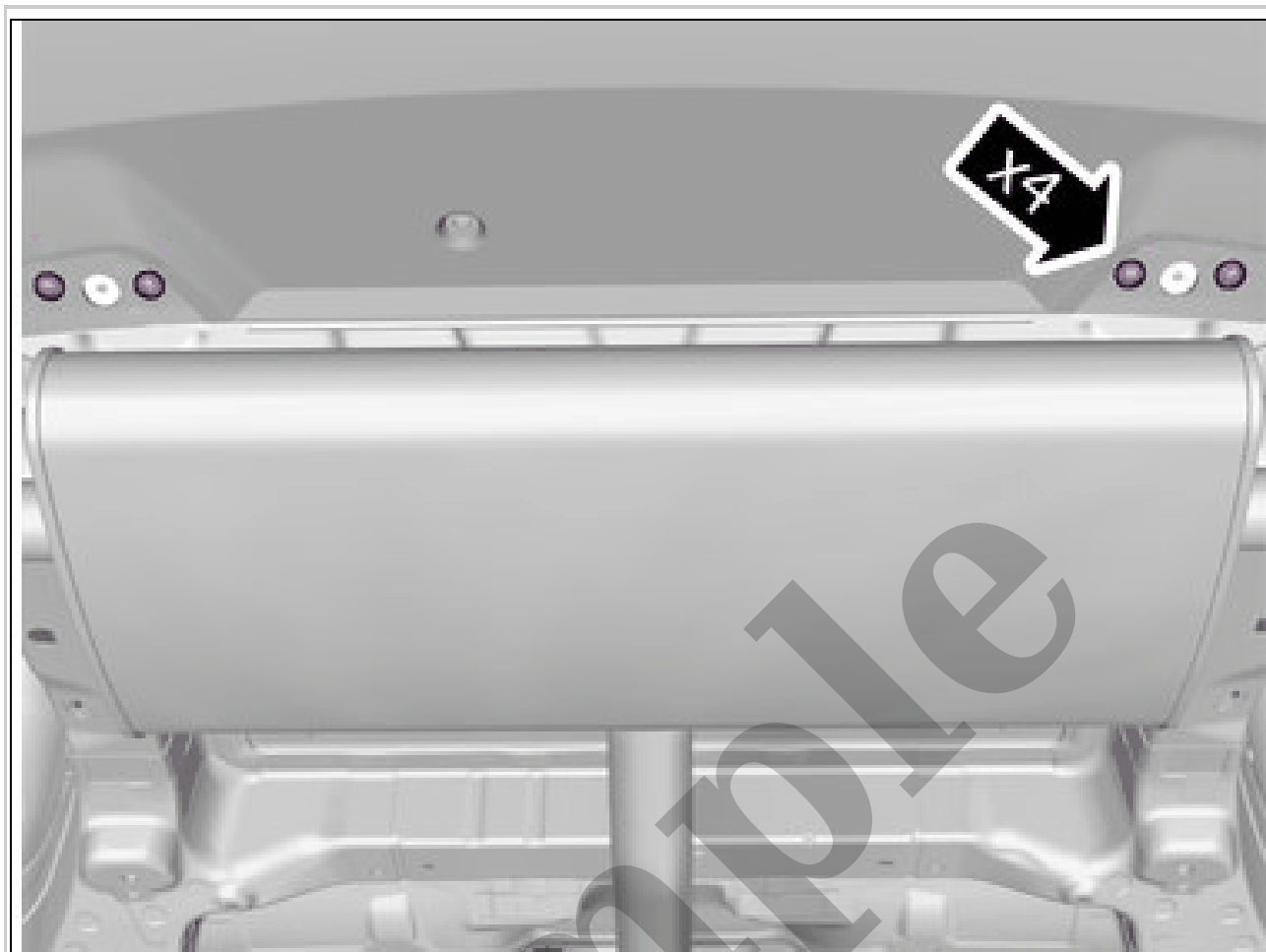
VEHICLES WITH INTEGRATED EXHAUST END PIPES

Remove casing bumper rear. Refer to: COVER BUMPER REAR



Courtesy of VOLVO CARS CORPORATION

Mat the surface gently.
Use: Sand paper P1000,



Courtesy of VOLVO CARS CORPORATION

Raise the car.
Remove the screws.