

Your Ultimate Source for OEM Repair Manuals

FactoryManuals.net is a great resource for anyone who wants to save money on repairs by doing their own work. The manuals provide detailed instructions and diagrams that make it easy to understand how to fix a vehicle.

1998 FORD Mustang OEM Service and Repair Workshop Manual

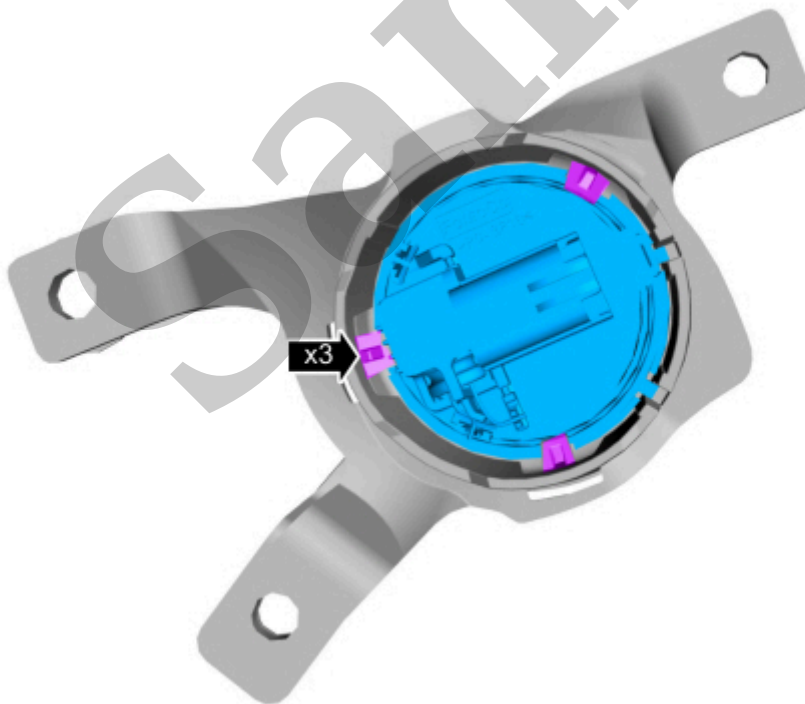
[Go to manual page](#)



E331425

[Click here to learn about symbols, color coding, and icons used in this manual.](#)

3. Release the tabs and remove the A-pillar tweeter speaker.



E331426

[Click here to learn about symbols, color coding, and icons used in this manual.](#)

Installation

Audio Controls - Vehicles With: 8 Inch Center Display Screen/12 Inch Center Display Screen

<i>415-00 Information and Entertainment System - General Information</i>	<i>2022 F-150</i>
<i>Removal and Installation</i>	<i>Procedure revision date: 03/29/2022</i>

Audio Controls - Vehicles With: 8 Inch Center Display Screen/12 Inch Center Display Screen

Removal

Vehicles with a 12 inch screen

1. Release the clips and remove the upper centerstack bezel.

Use the General Equipment: Interior Trim Remover

[Click here to learn about symbols, color coding, and icons used in this manual.](#)

Vehicles equipped with 12 inch screen and a floor console

3. Remove the floor console.

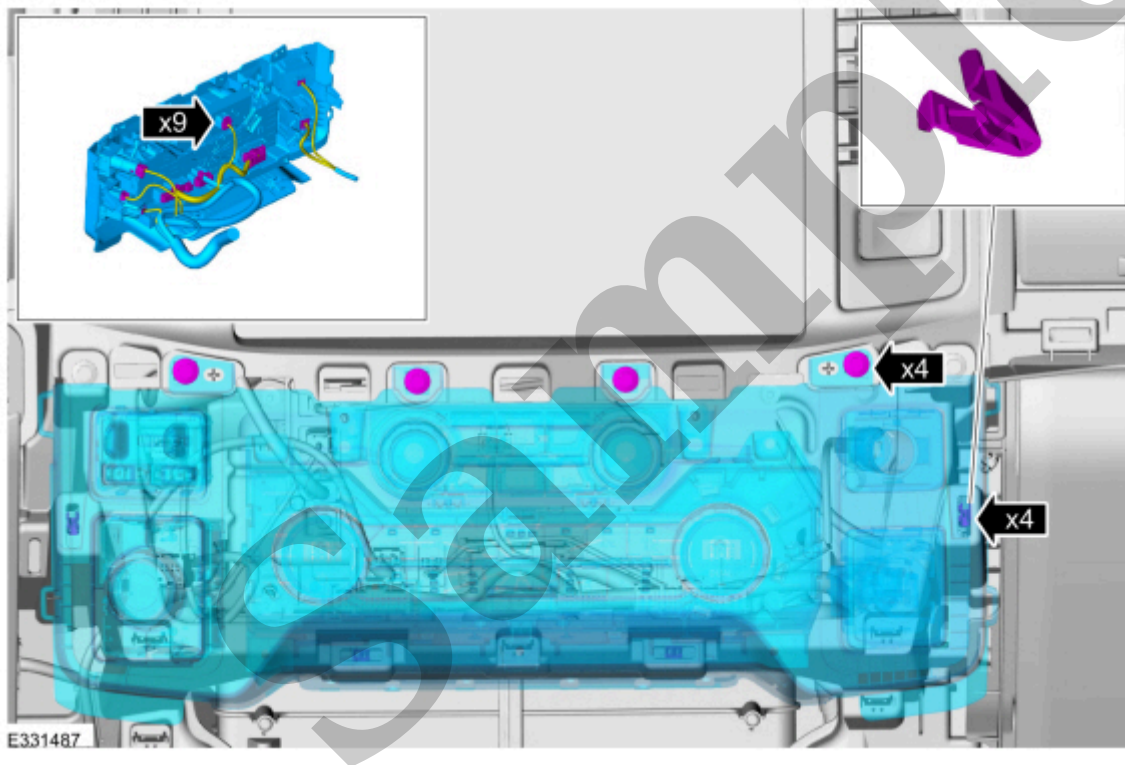
Refer to: [Floor Console](#)(501-12 Instrument Panel and Console, Removal and Installation).

4. Remove the lower centerstack trim panel.

- Remove the bolts.

Torque : 22 lb.in (2.5 Nm)

- Release the clips.
- Disconnect the electrical connectors.

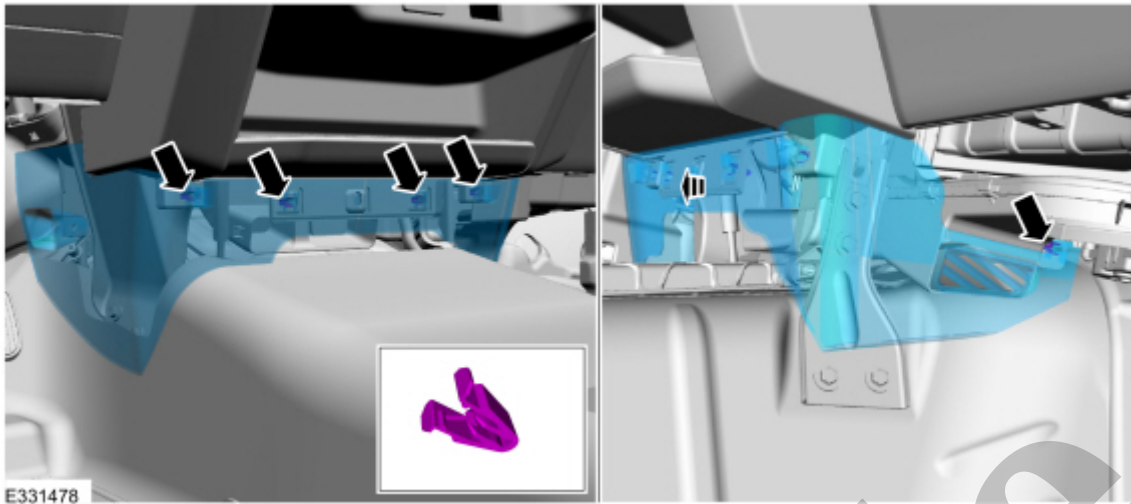


[Click here to learn about symbols, color coding, and icons used in this manual.](#)

Vehicles equipped with a 12 inch screen and without a floor console

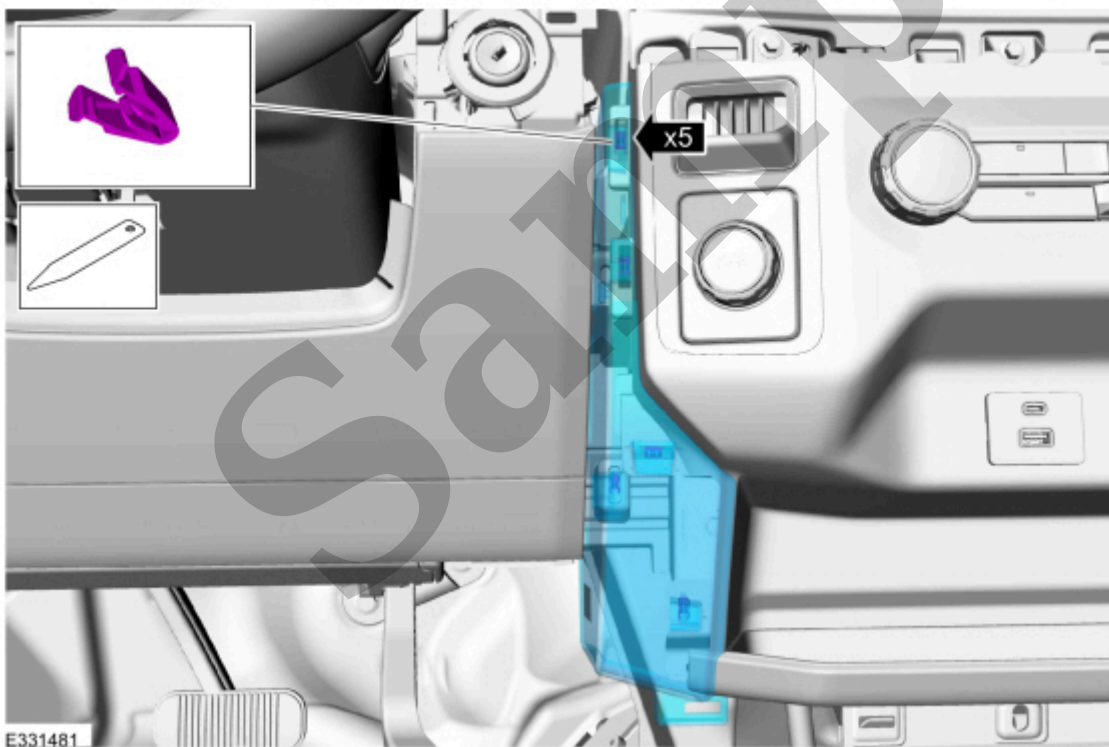
5. Remove the pin-type retainers and the RH (right-hand) lower instrument panel closeout trim panel.

7. Release the clips and remove the instrument panel lower trim panel.



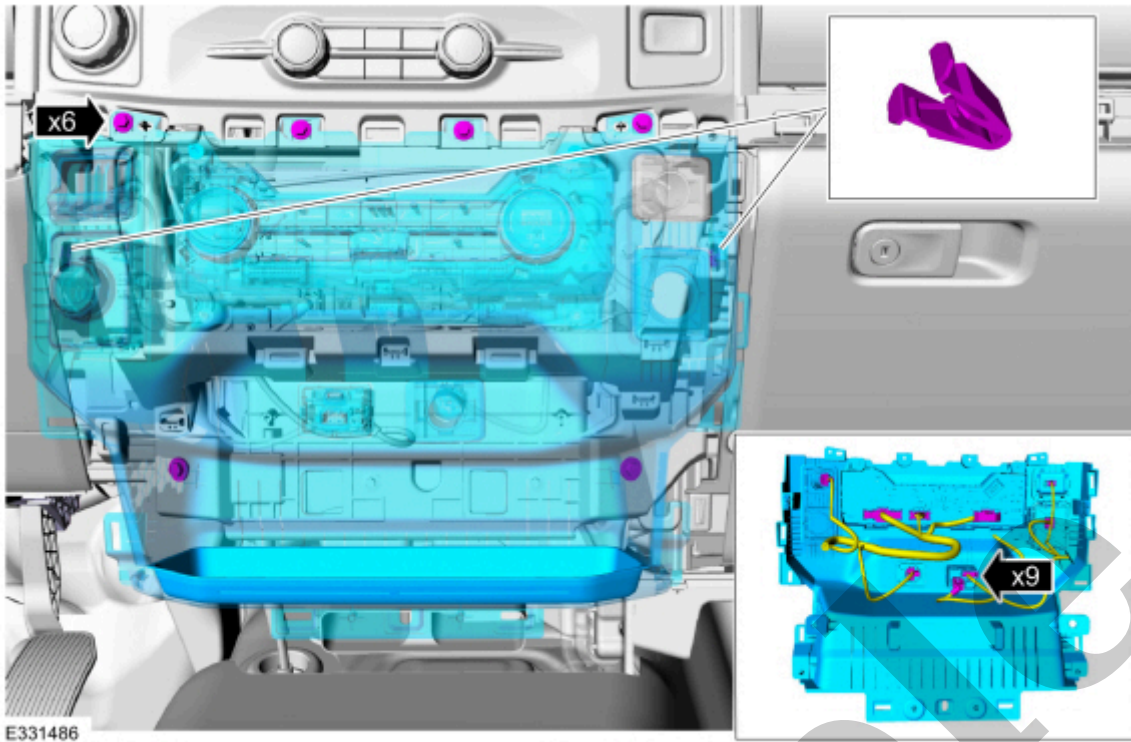
[Click here to learn about symbols, color coding, and icons used in this manual.](#)

8. Release the clips and remove the LH (left-hand) lower centerstack trim panel.



[Click here to learn about symbols, color coding, and icons used in this manual.](#)

9. Release the clips and remove the RH (right-hand) lower centerstack trim panel.

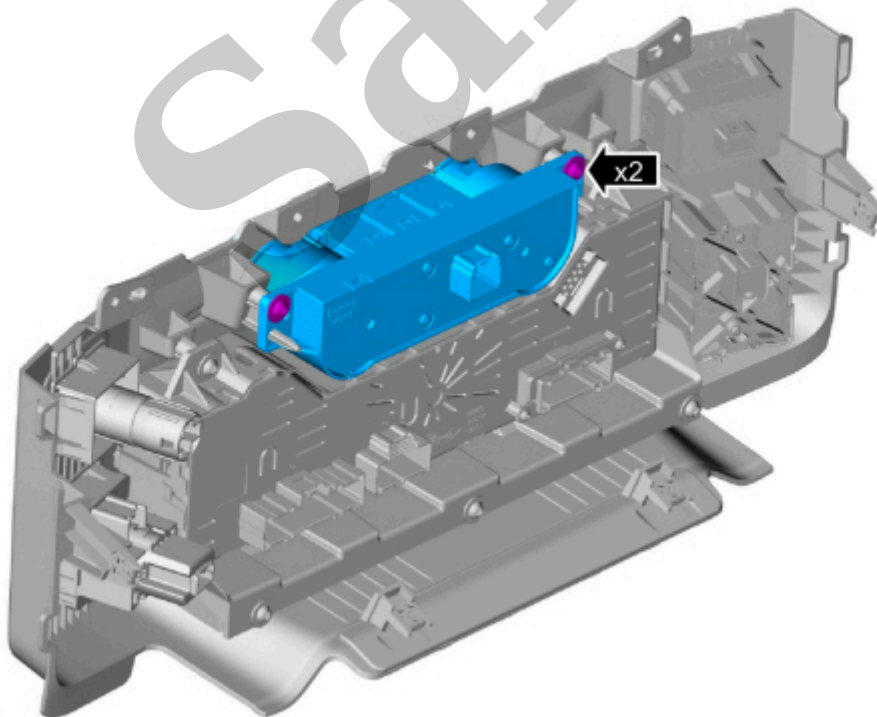


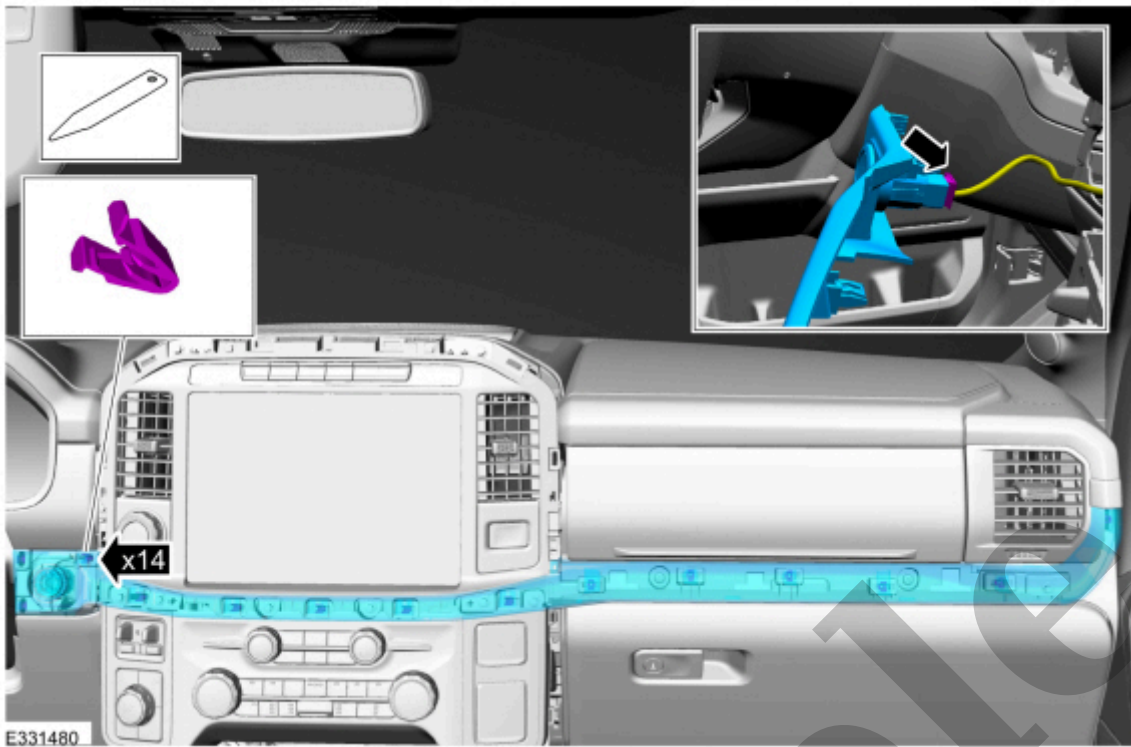
[Click here to learn about symbols, color coding, and icons used in this manual.](#)

Vehicles equipped with a 12 inch screen

11. Remove the screws and the audio controls.

Torque : 19 lb.in (2.2 Nm)



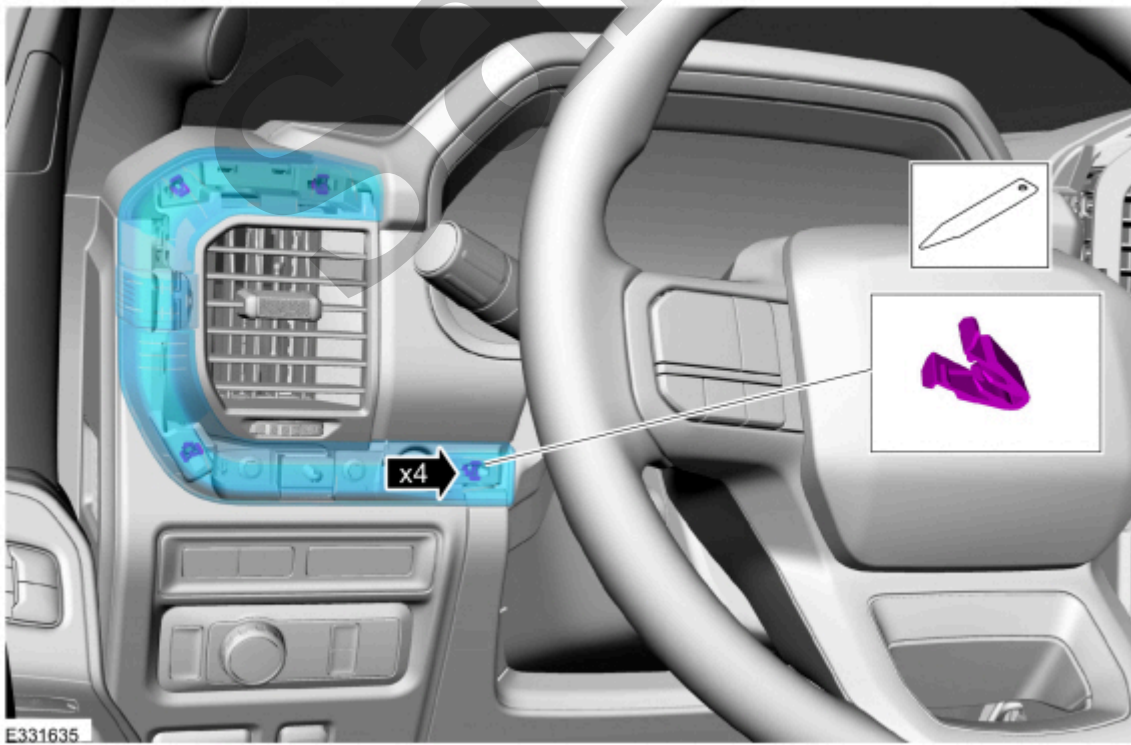


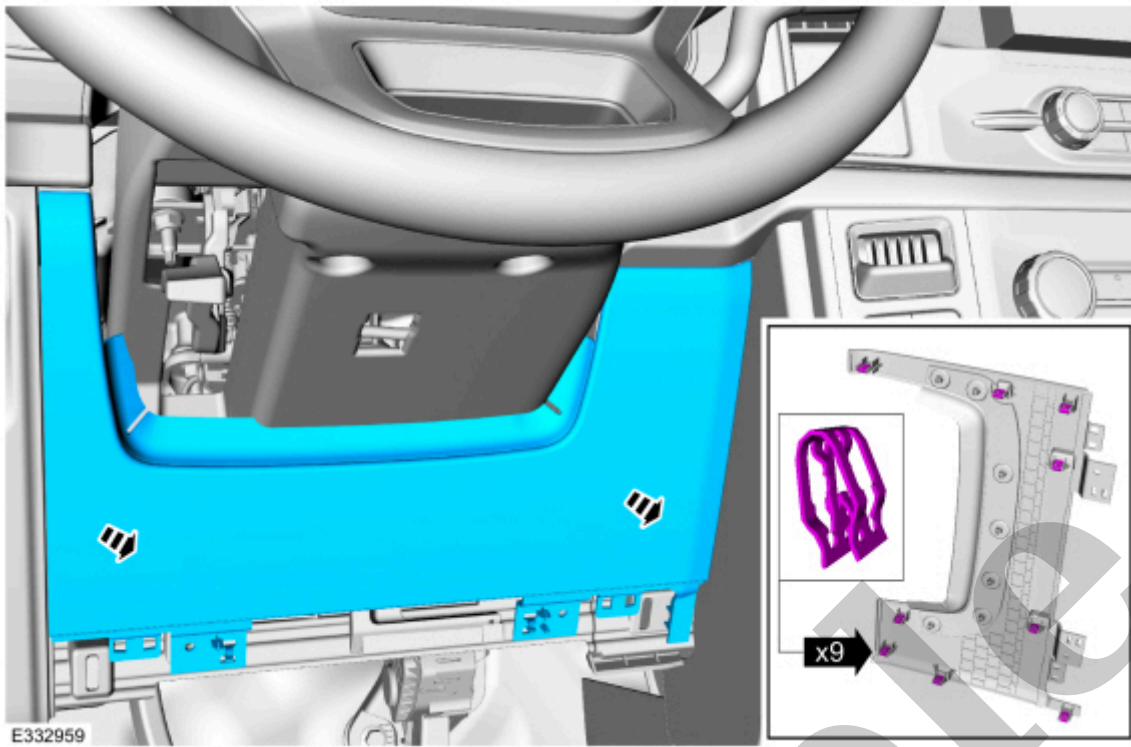
[Click here to learn about symbols, color coding, and icons used in this manual.](#)

All vehicles

14. Release the clips and remove the LH (left-hand) instrument center trim panel.

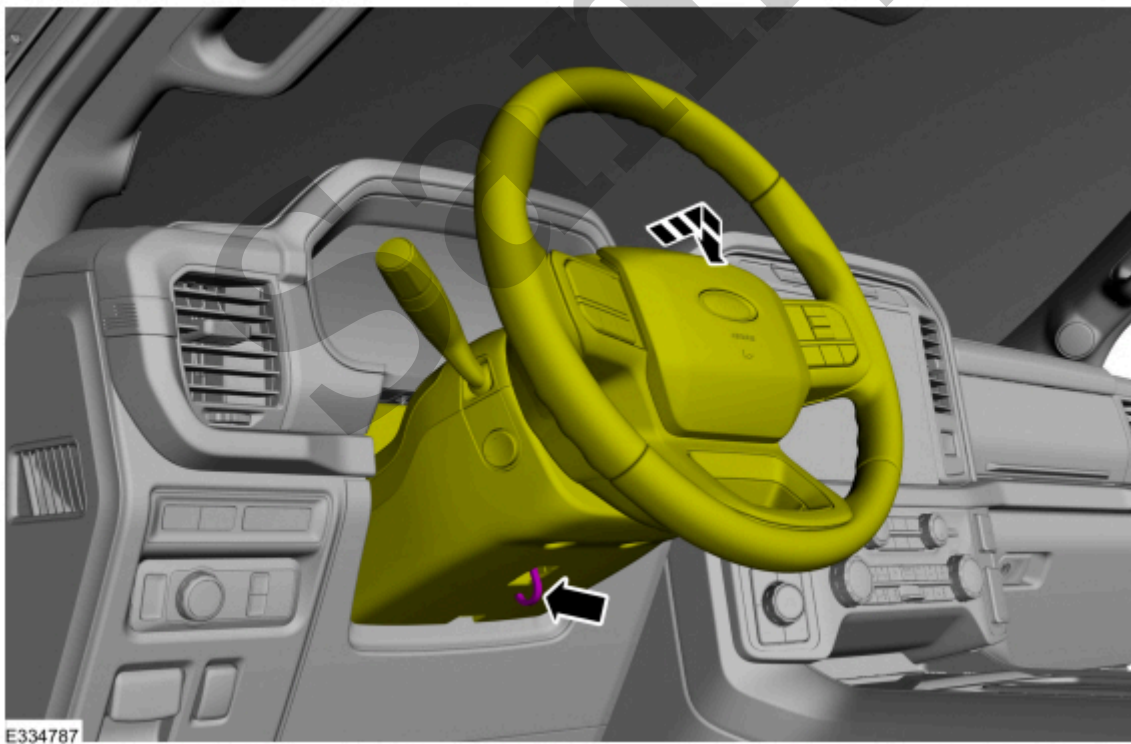
Use the General Equipment: Interior Trim Remover





[Click here to learn about symbols, color coding, and icons used in this manual.](#)

17. Fully extend and lower the steering column.

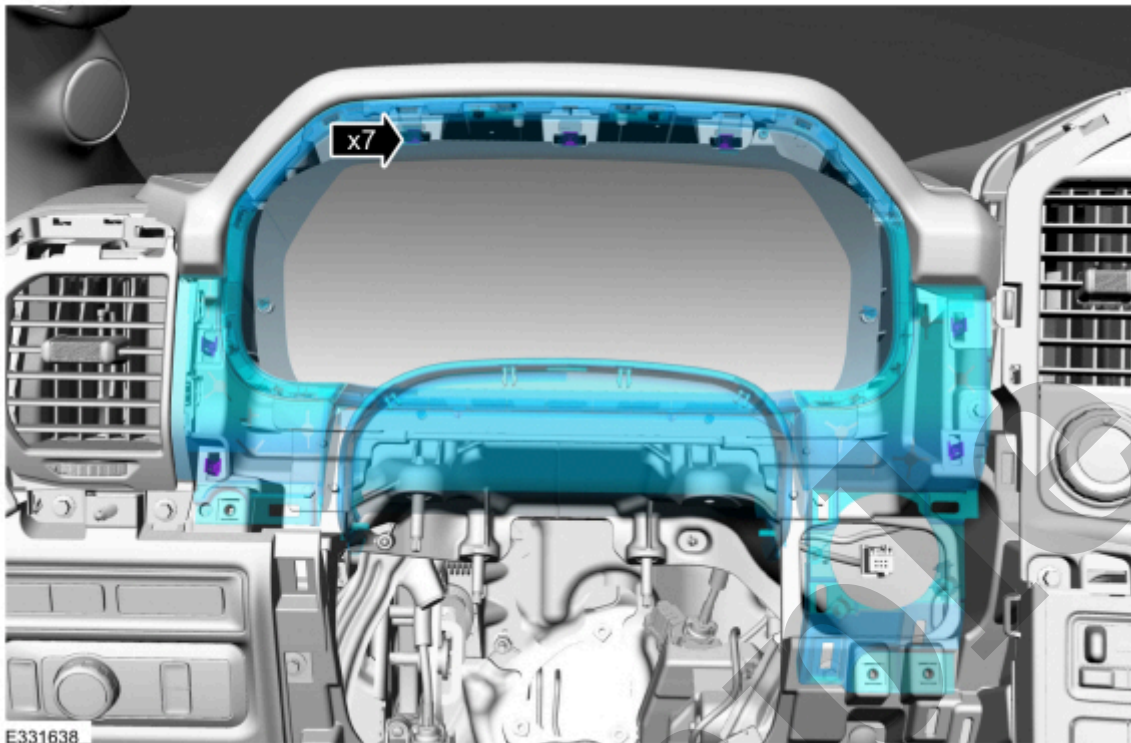


[Click here to learn about symbols, color coding, and icons used in this manual.](#)

18. Release the tabs and disconnect the gap hider from the upper steering column shroud.

[Click here to learn about symbols, color coding, and icons used in this manual.](#)

20. Release the clips and remove the instrument cluster panel bezel.



[Click here to learn about symbols, color coding, and icons used in this manual.](#)

Vehicles equipped with a 8 inch screen and a floor console

21. Remove the floor console.

Refer to: [Floor Console](#)(501-12 Instrument Panel and Console, Removal and Installation).

22. Remove the lower centerstack trim panel.

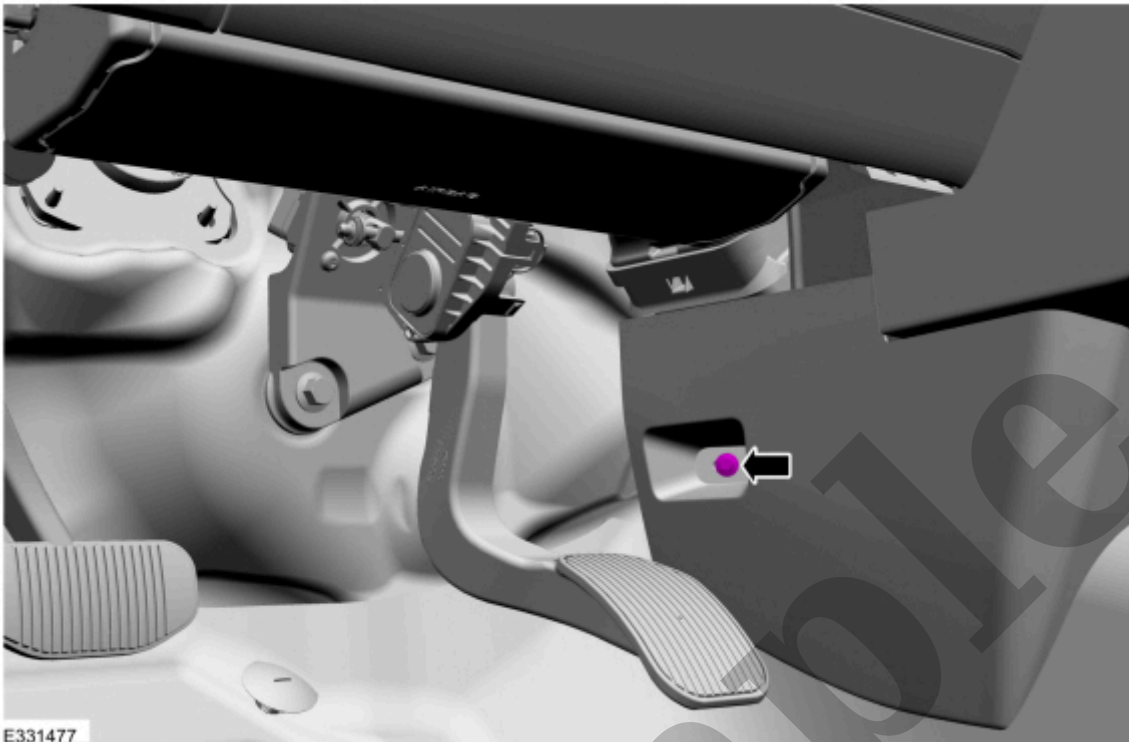
- Remove the bolts.

Torque : 22 lb.in (2.5 Nm)

- Release the clips.
- Disconnect the electrical connectors.

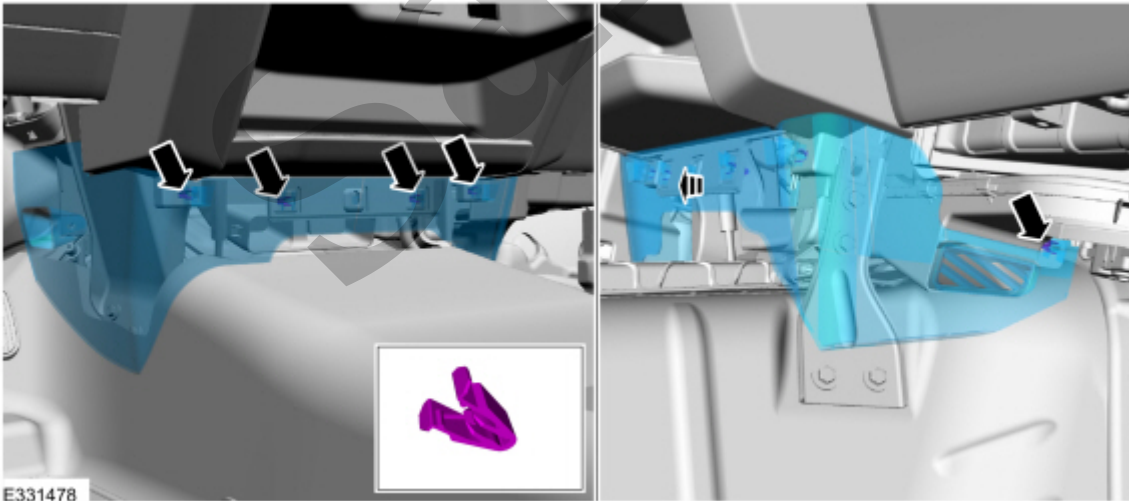
24. Remove the bolt.

Torque : 22 lb.in (2.5 Nm)



[Click here to learn about symbols, color coding, and icons used in this manual.](#)

25. Release the clips and remove the instrument panel lower trim panel.



[Click here to learn about symbols, color coding, and icons used in this manual.](#)

26. Release the clips and remove the LH (left-hand) lower centerstack trim panel.

Use the General Equipment: Interior Trim Remover