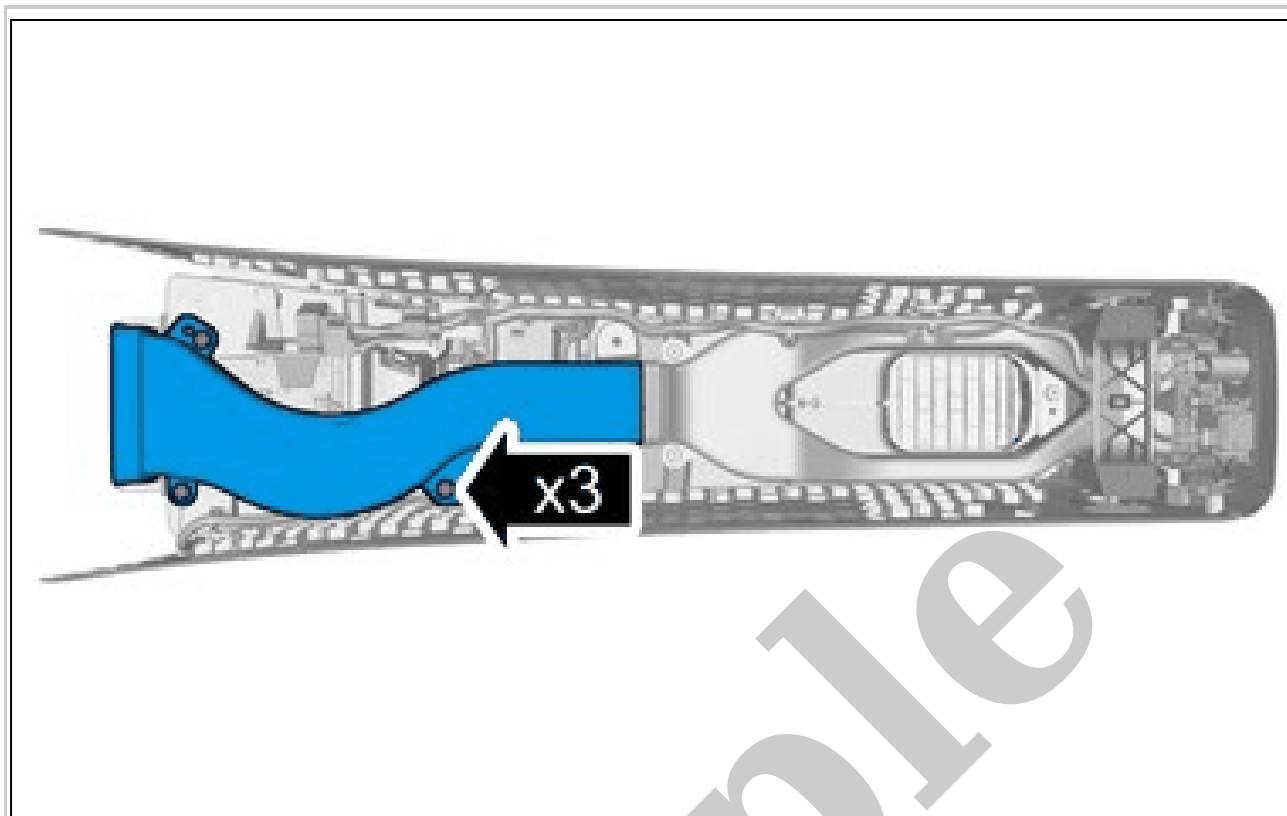


Your Ultimate Source for OEM Repair Manuals

FactoryManuals.net is a great resource for anyone who wants to save money on repairs by doing their own work. The manuals provide detailed instructions and diagrams that make it easy to understand how to fix a vehicle.

1997 VOLVO V70 R OEM Service and Repair Workshop Manual

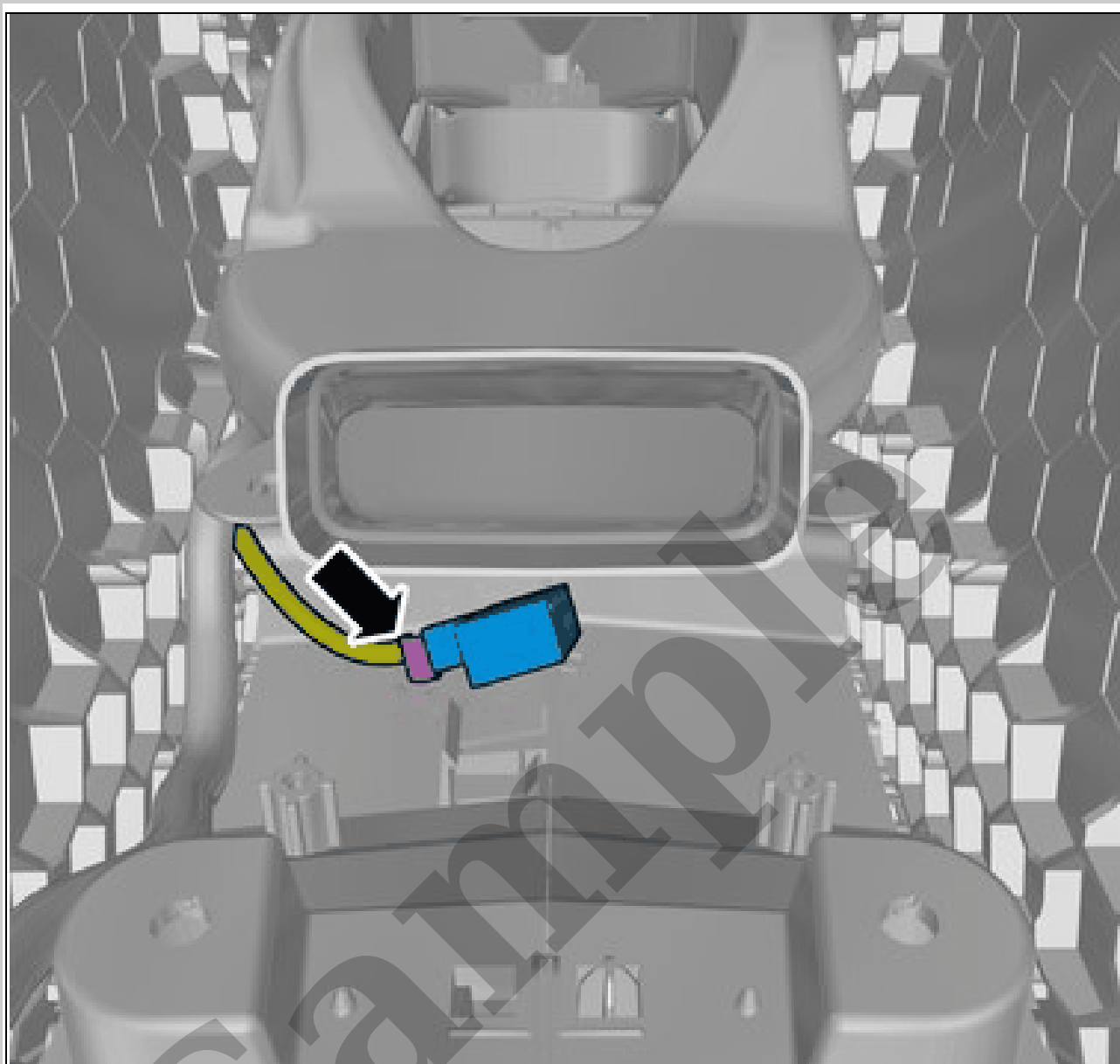
[Go to manual page](#)



Courtesy of VOLVO CARS CORPORATION

Remove the screws.
Remove the marked part.

Sample



Courtesy of VOLVO CARS CORPORATION

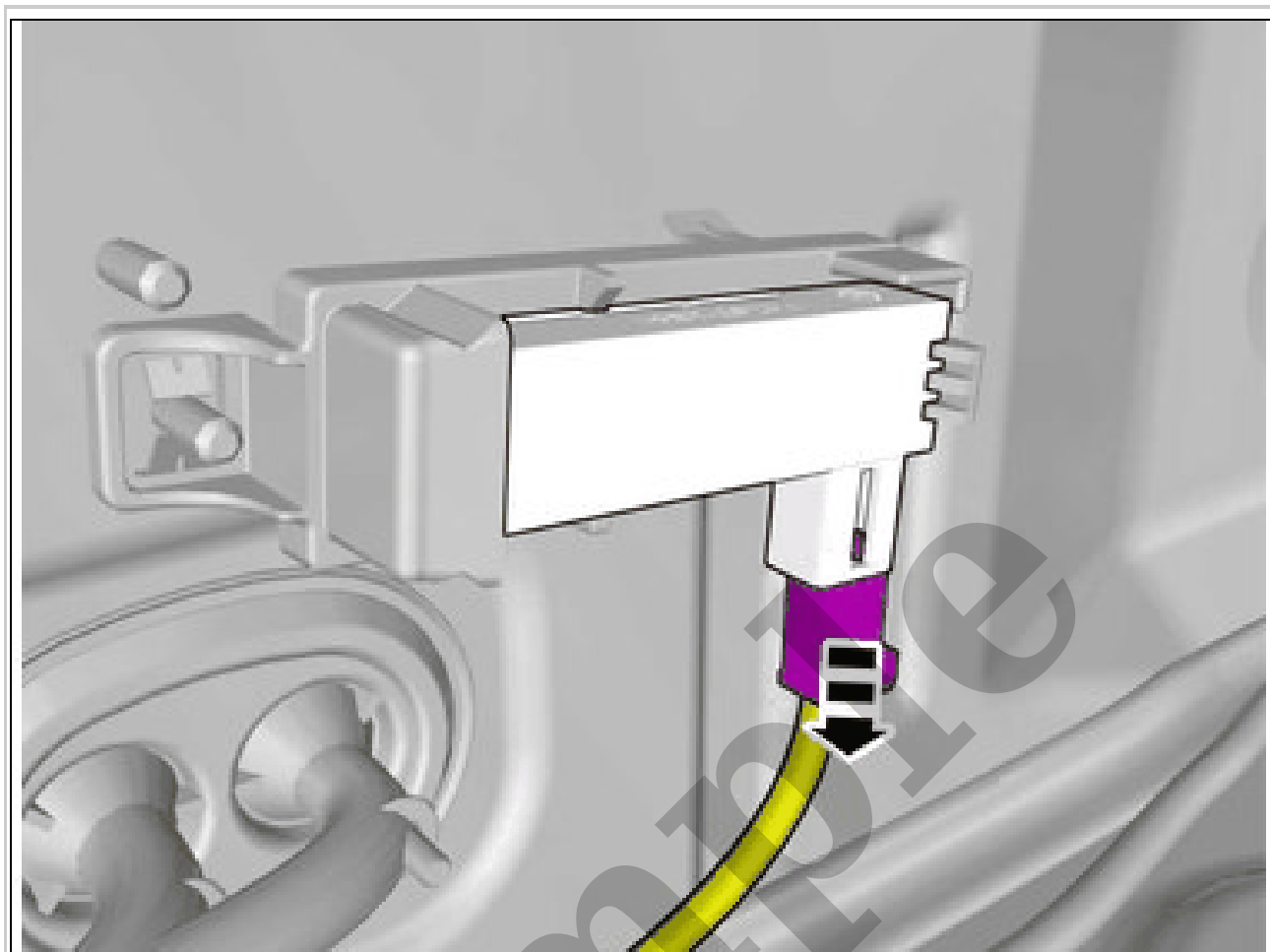
Disconnect the connector.
Remove the marked part.

ANTENNA, KEYLESS VEHICLE, CENTER > ANTENNA, KEYLESS VEHICLE, CENTER [2022, E400V6] > INSTALLATION

To install, reverse the removal procedure.

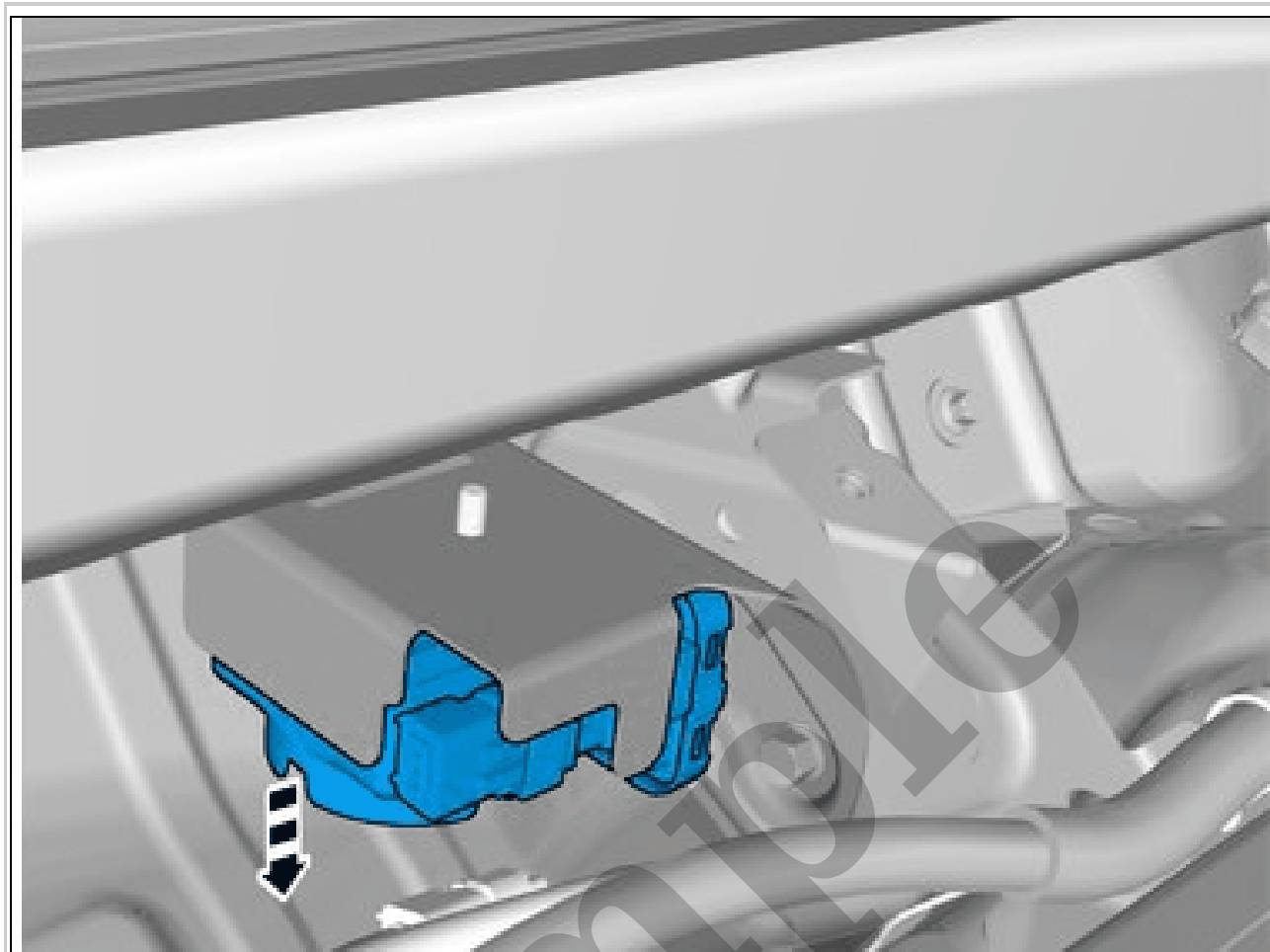
ANTENNA, KEYLESS VEHICLE, REAR > ANTENNA, KEYLESS VEHICLE, REAR [2018- 2022] > REMOVAL

Set the vehicle to Inactive mode, described in user mode. Refer to: USAGE MODE



Courtesy of VOLVO CARS CORPORATION

Disconnect the connector.



Courtesy of VOLVO CARS CORPORATION

Remove the marked part.

BATTERY BACKED-UP SOUNDER > BATTERY BACKED-UP SOUNDER (BBS) [2018-2022] > INSTALLATION

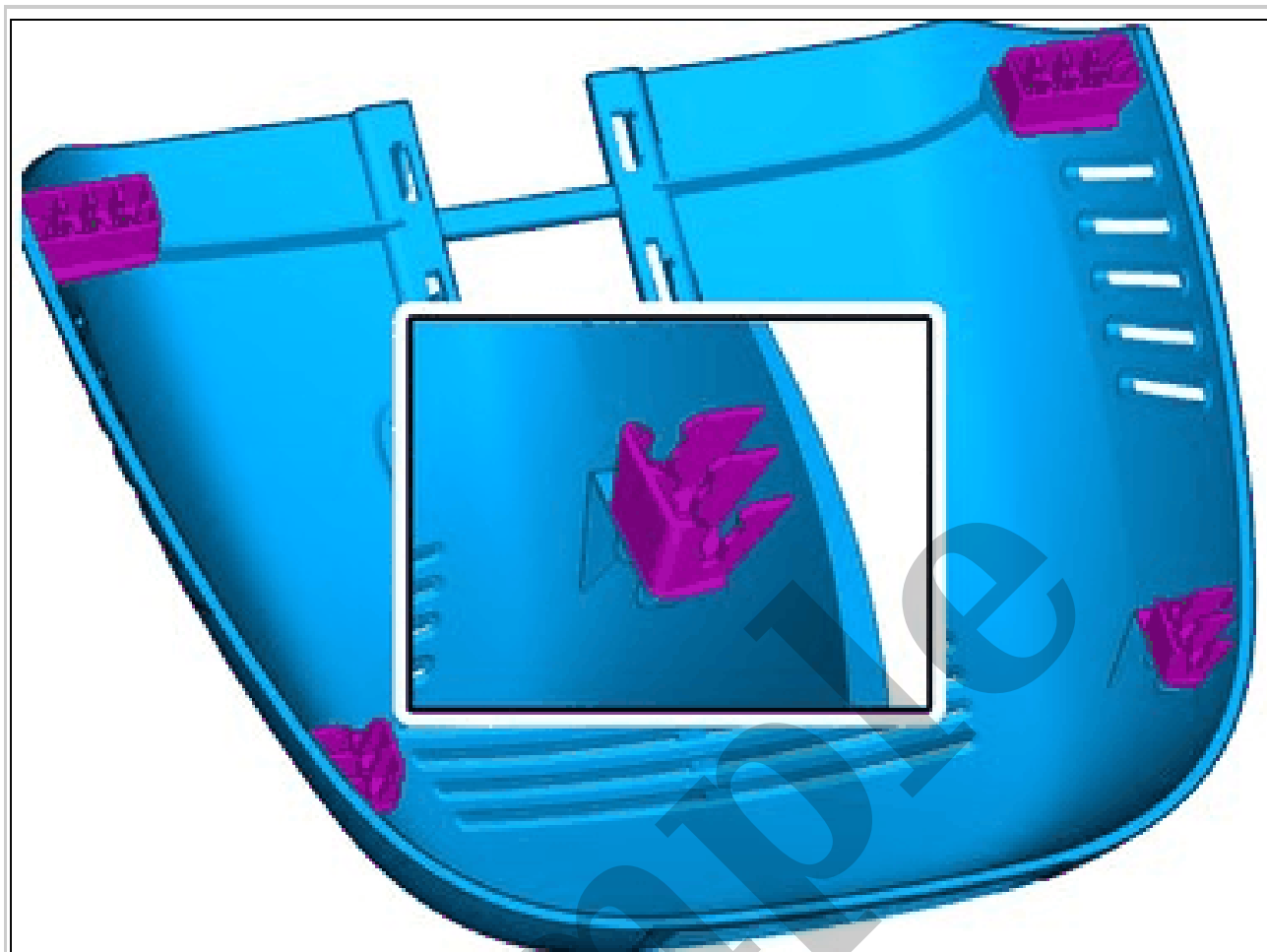
To install, reverse the removal procedure.

NOTE: *This step is only necessary when installing a new component.*

Order and download the appropriate software according to: VIDA/Software/Hardware Changes

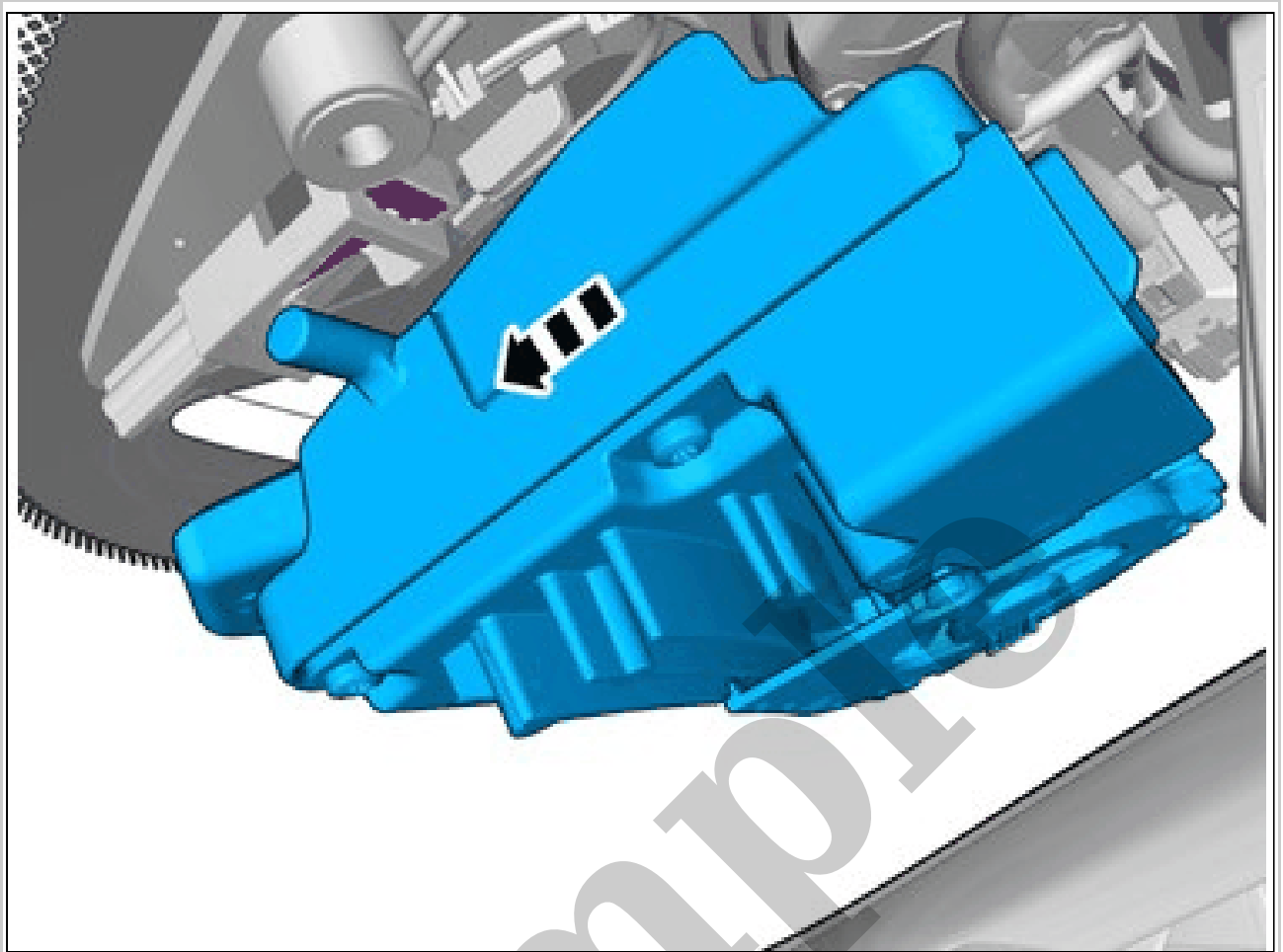
COOLING FAN, FORWARD LOOKING CAMERA > COOLING FAN, FORWARD LOOKING CAMERA (FLC) [2022 | 2021, E400V6] > REMOVAL

Perform battery disconnecting and connecting. Refer to: BATTERY DISCONNECTING AND CONNECTING



Courtesy of VOLVO CARS CORPORATION

NOTE: *The graphic shows the back of the component before removal.*

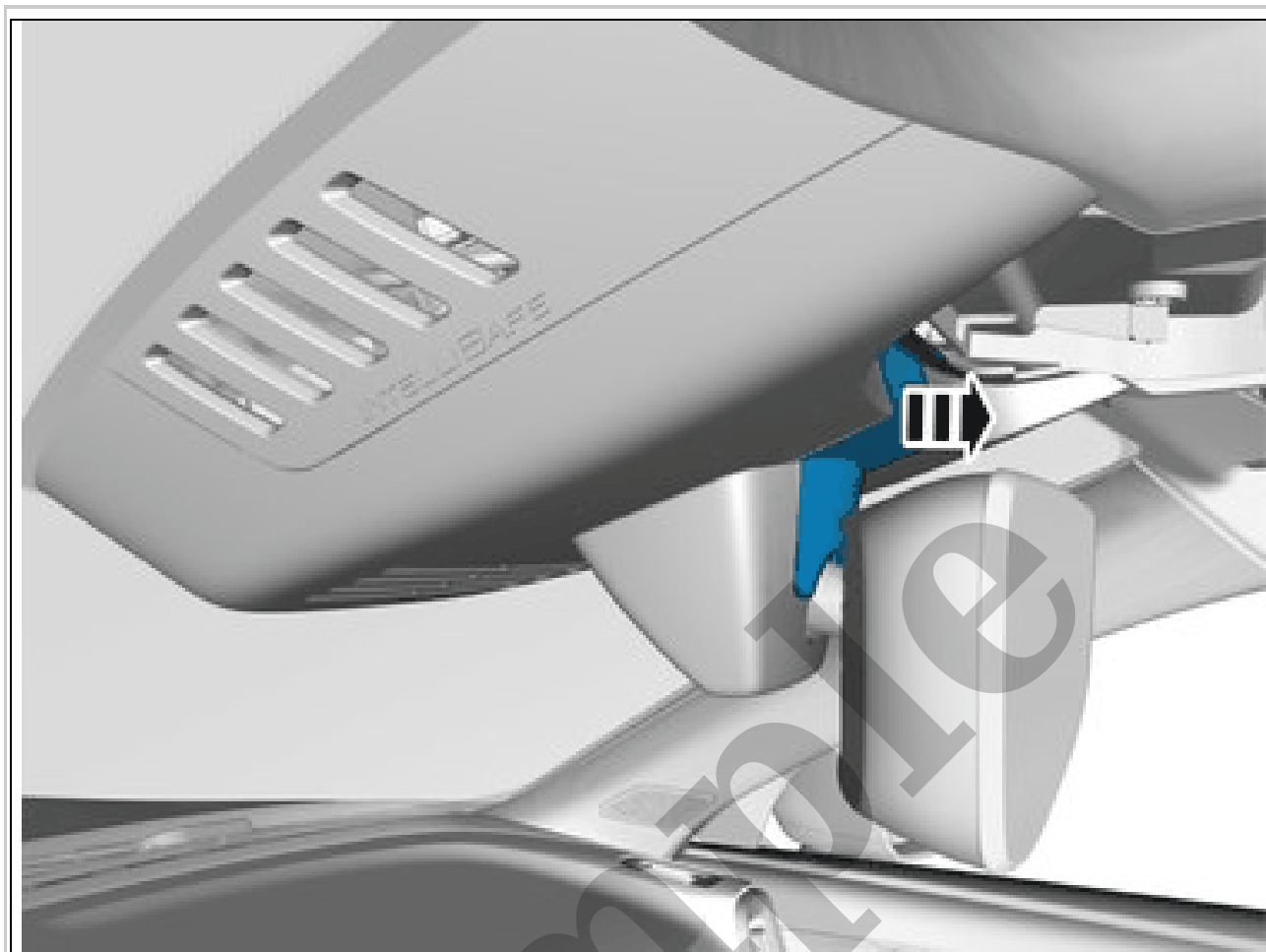


Courtesy of VOLVO CARS CORPORATION

CAUTION: *Do not touch the camera lens.*

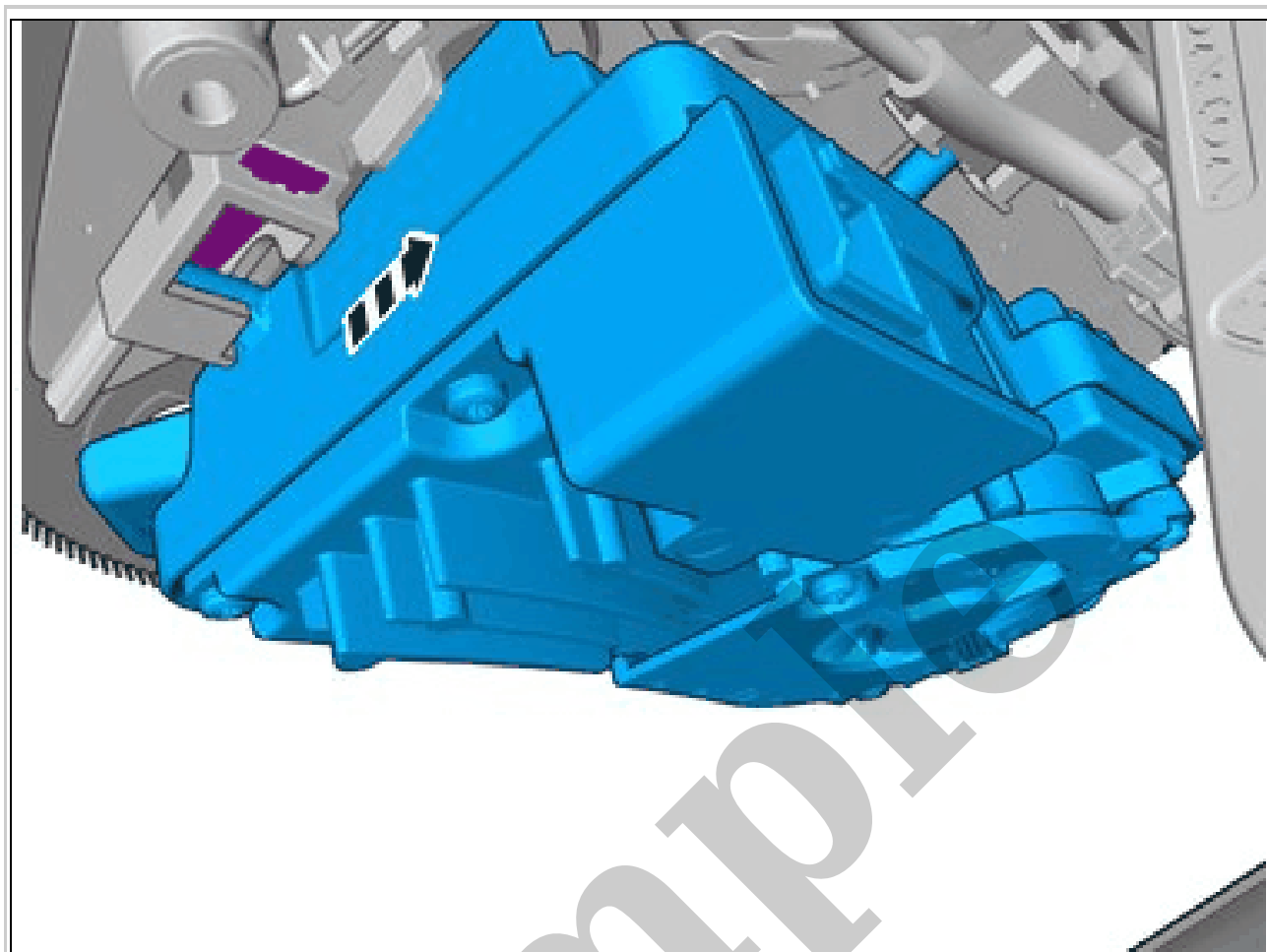
NOTE: *Clips might come off when removing component.*

Remove the marked part.



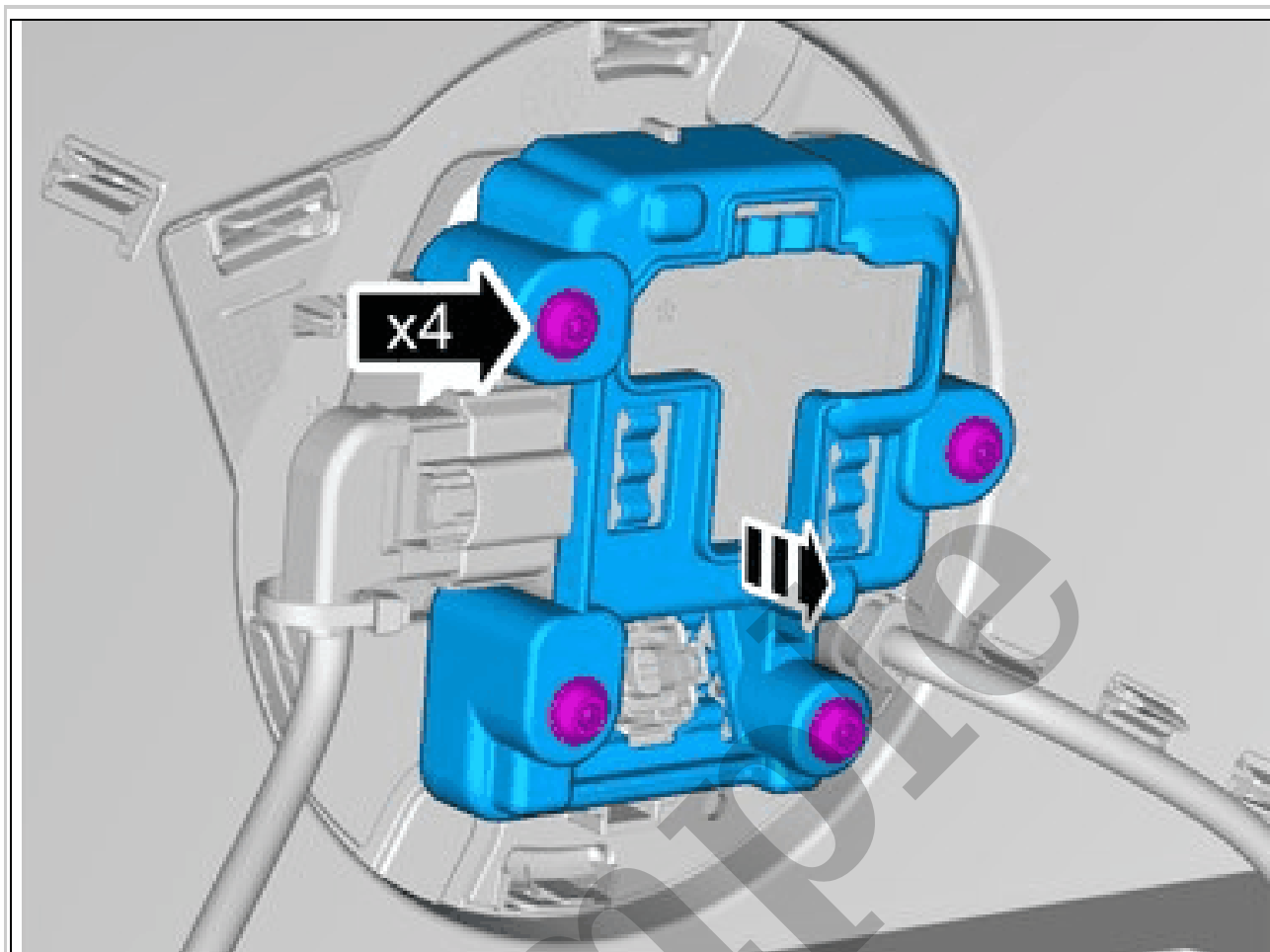
Courtesy of VOLVO CARS CORPORATION

Remove the marked part.



Courtesy of VOLVO CARS CORPORATION

Pull the component in direction of the arrow.
Repeat on the other side.



Courtesy of VOLVO CARS CORPORATION

Remove the screws.
Remove the marked part.