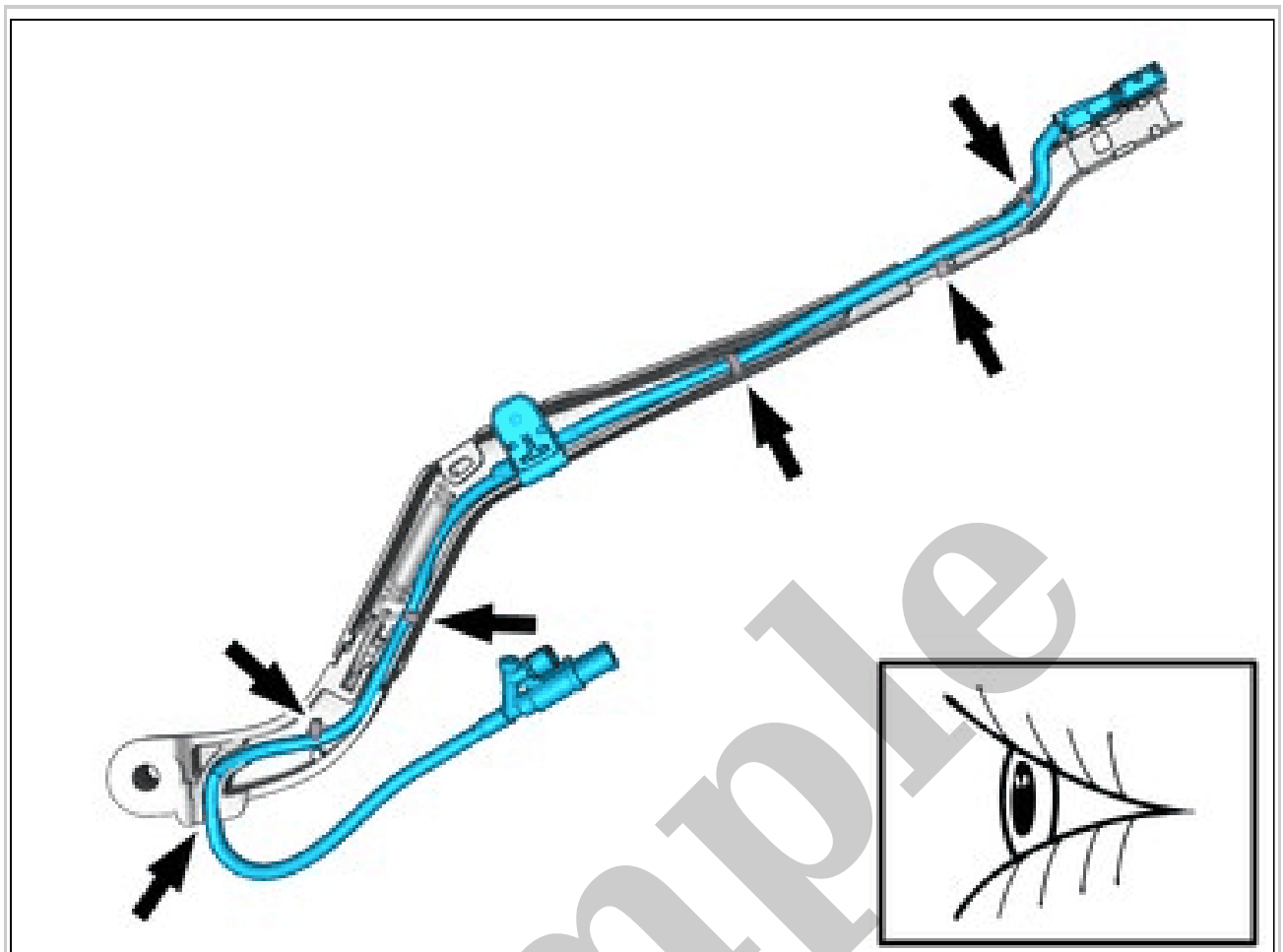


Your Ultimate Source for OEM Repair Manuals

FactoryManuals.net is a great resource for anyone who wants to save money on repairs by doing their own work. The manuals provide detailed instructions and diagrams that make it easy to understand how to fix a vehicle.

1997 VOLVO S70 R OEM Service and Repair Workshop Manual

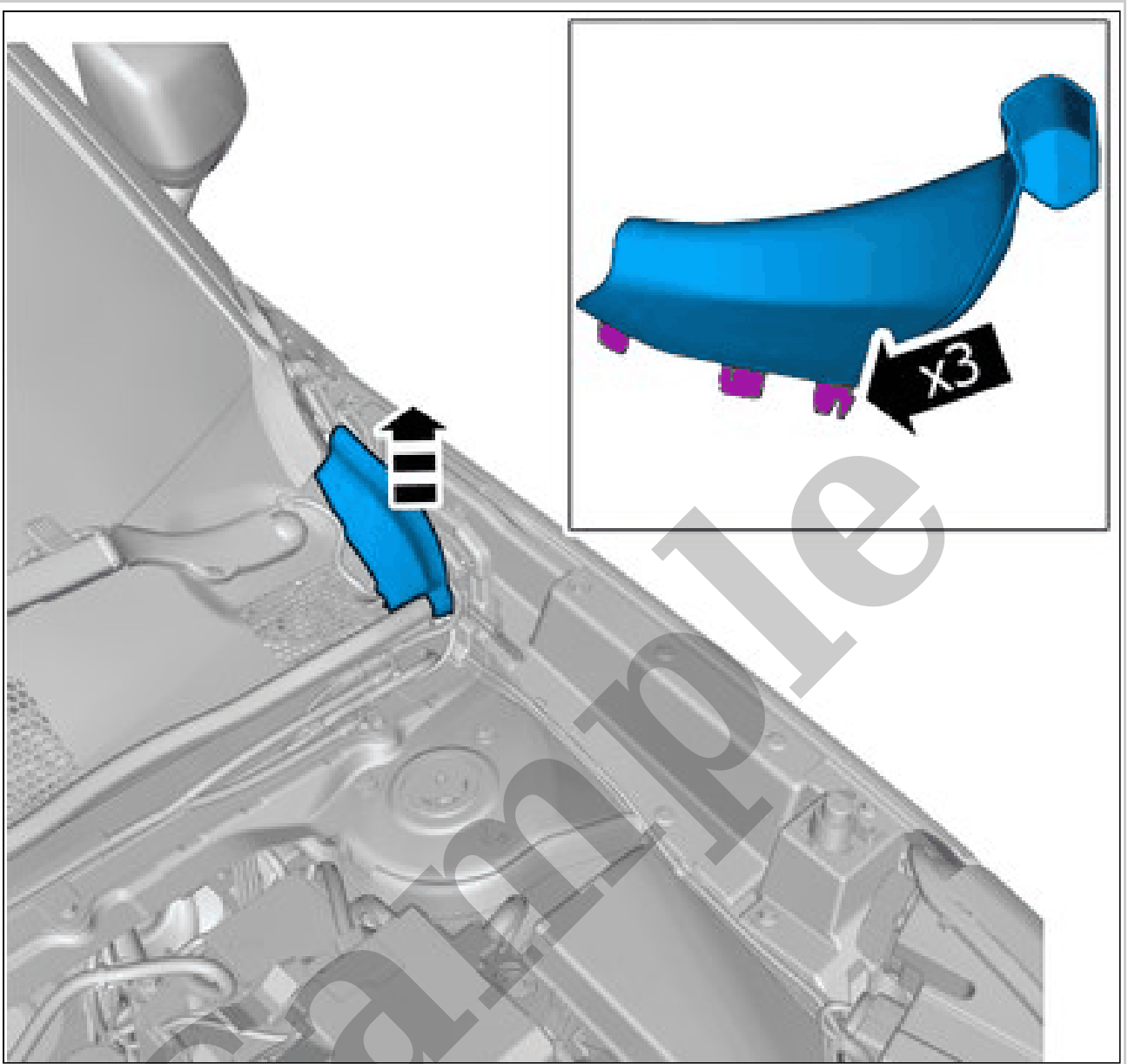
[Go to manual page](#)



Courtesy of VOLVO CARS CORPORATION

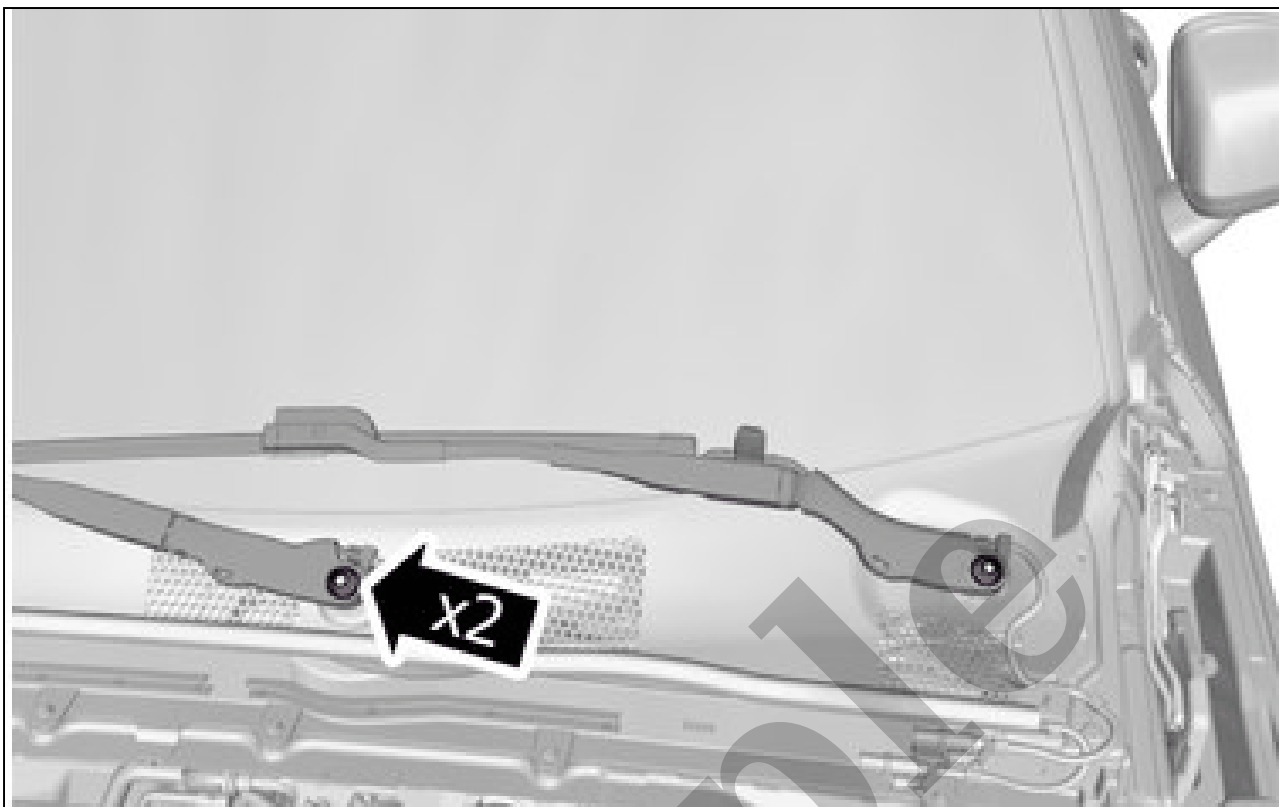
Release the catches.
Remove the marked part.

**WIND SCREEN WASHER JET > WIND SCREEN WASHER JET [2018-2020 | 2021-2022,
B4204T18; B4204T47] > INSTALLATION**



Courtesy of VOLVO CARS CORPORATION

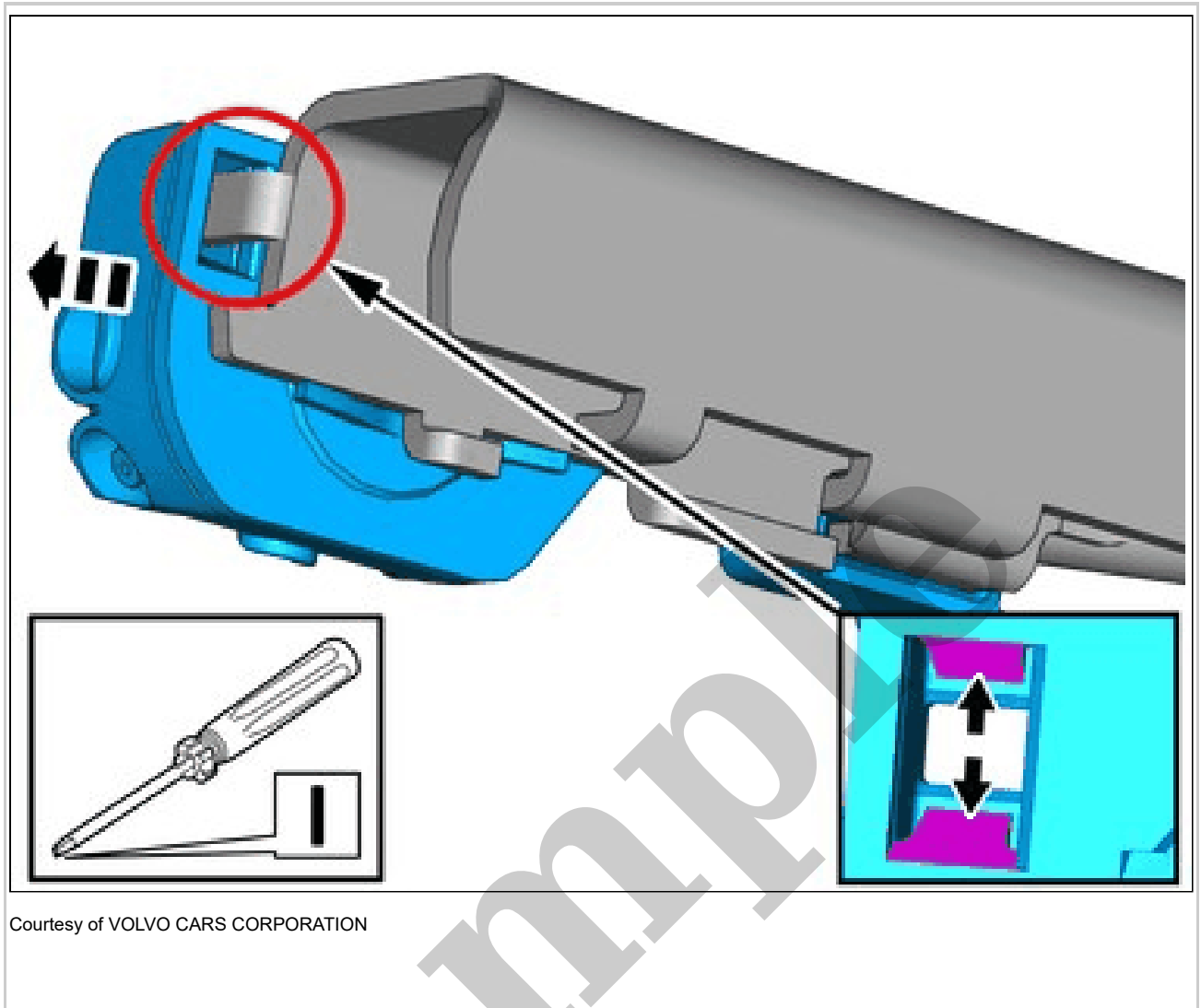
Remove the marked part.



Courtesy of VOLVO CARS CORPORATION

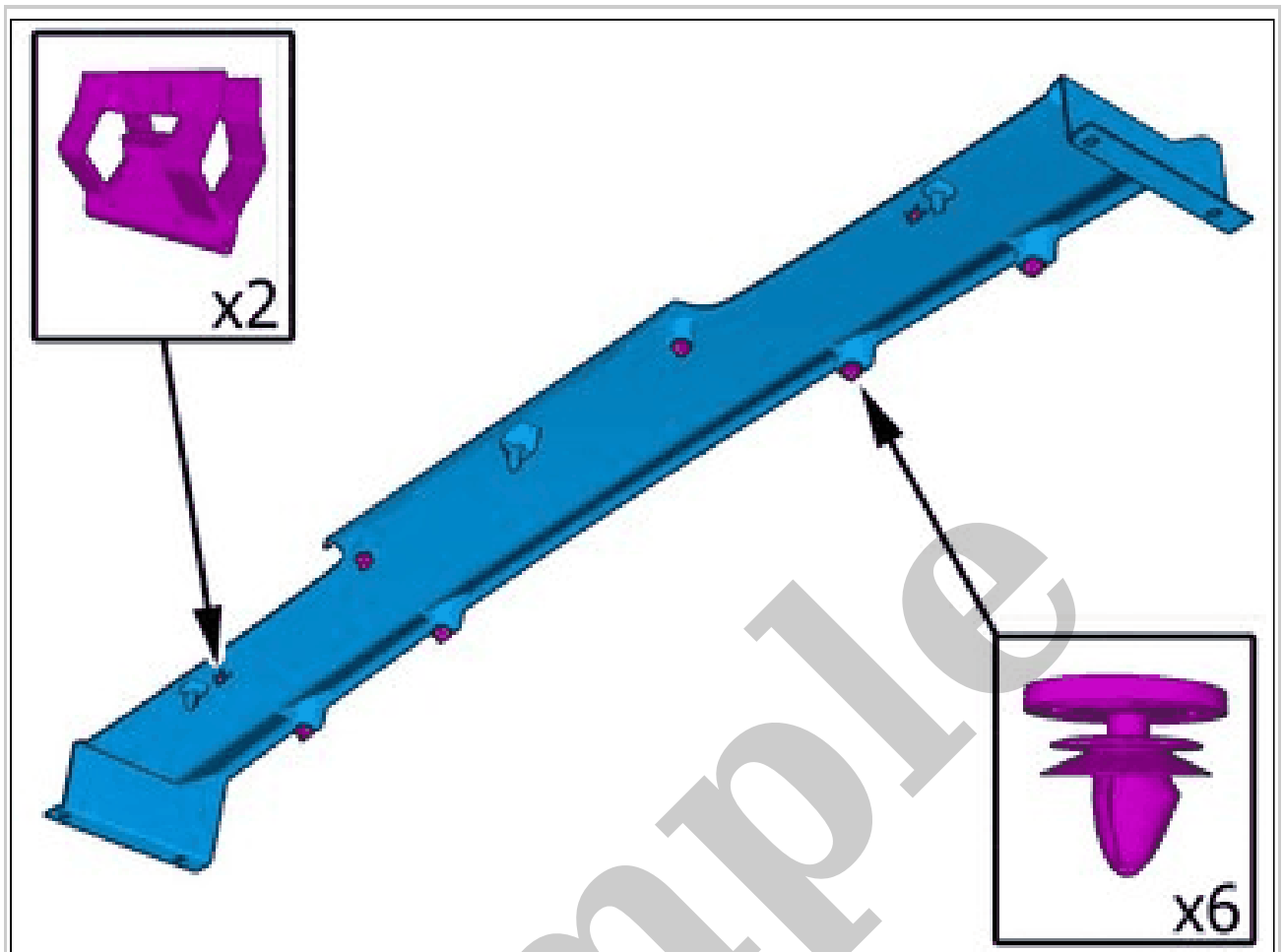
Remove the nuts.

Torque: Windshield wiper arm, 28Nm



Courtesy of VOLVO CARS CORPORATION

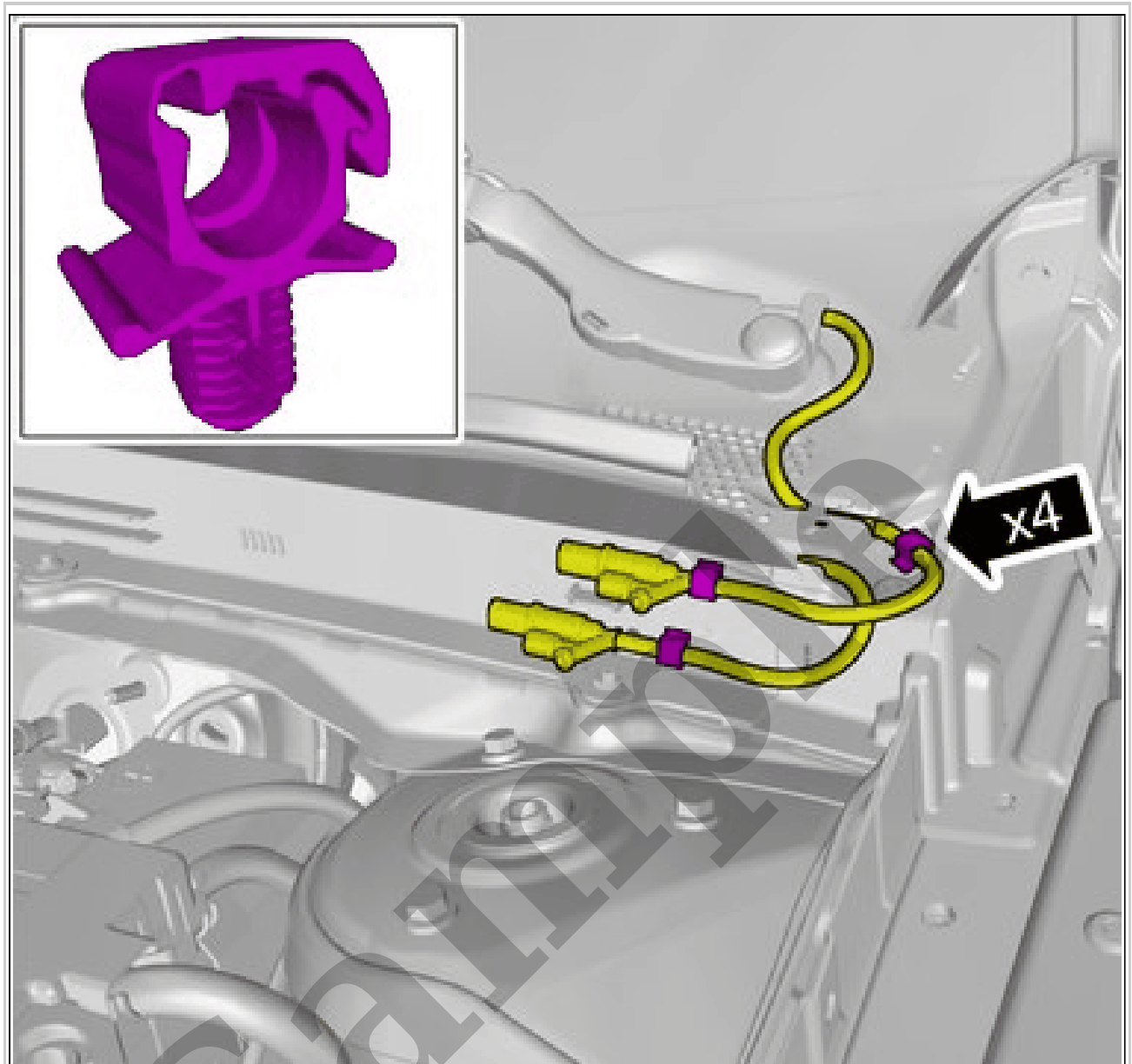
Release the catches.
Loosen the component indicated. Do not remove it.
Use: Electrician's screwdriver



Courtesy of VOLVO CARS CORPORATION

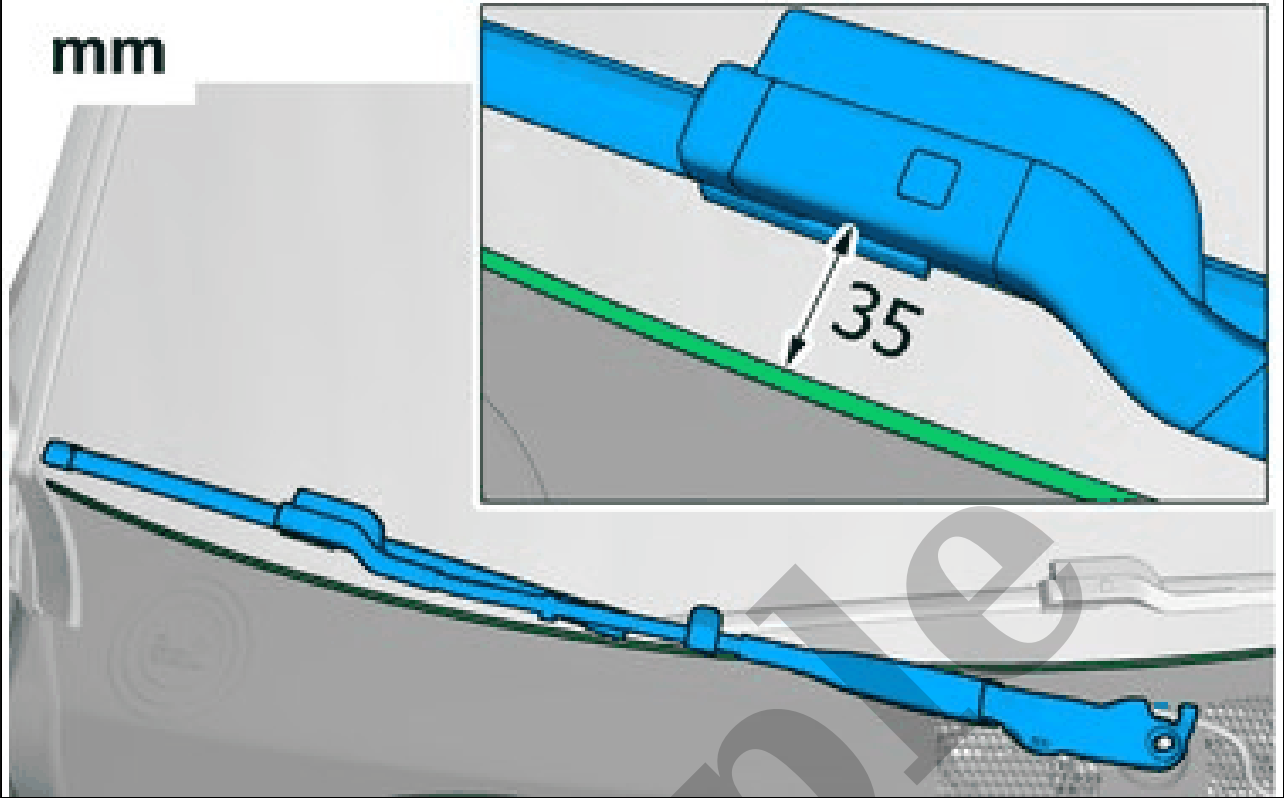
NOTE: *Orientation view*

The graphic shows the back of the component.



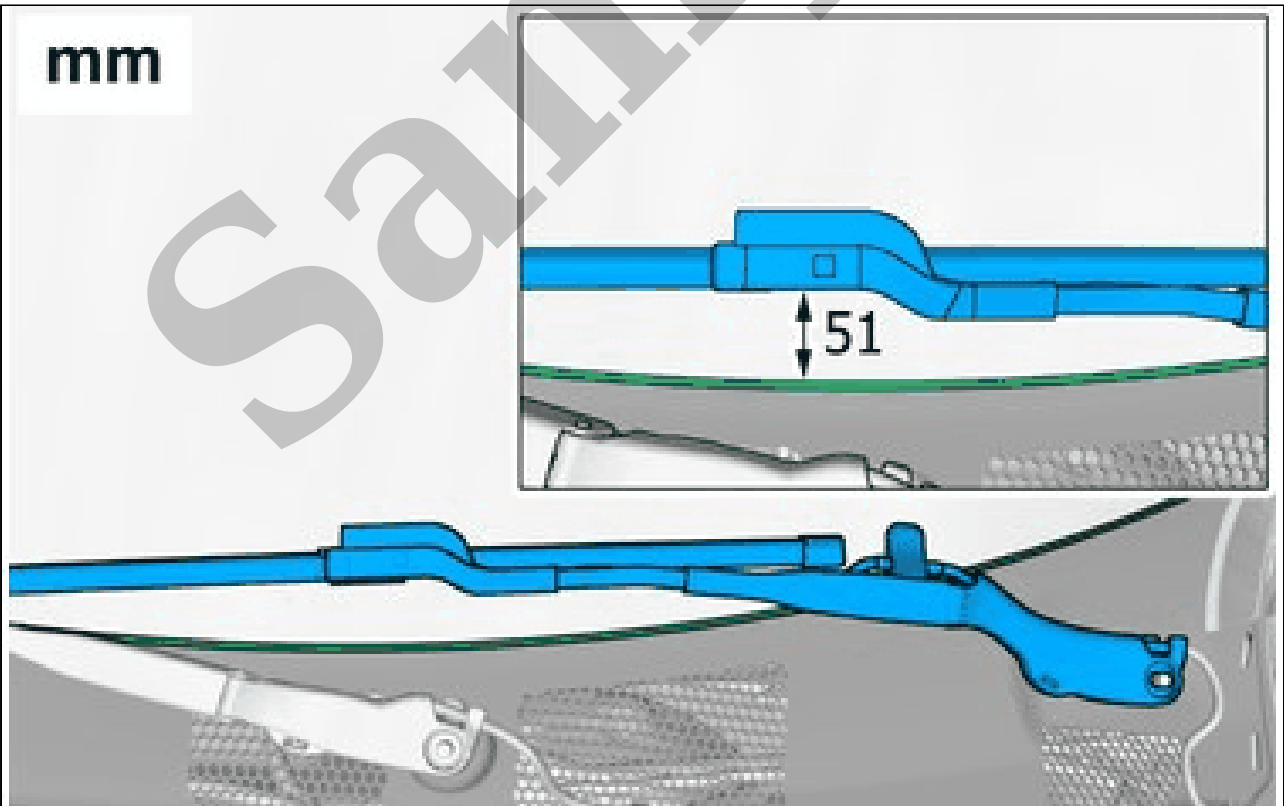
Courtesy of VOLVO CARS CORPORATION

mm

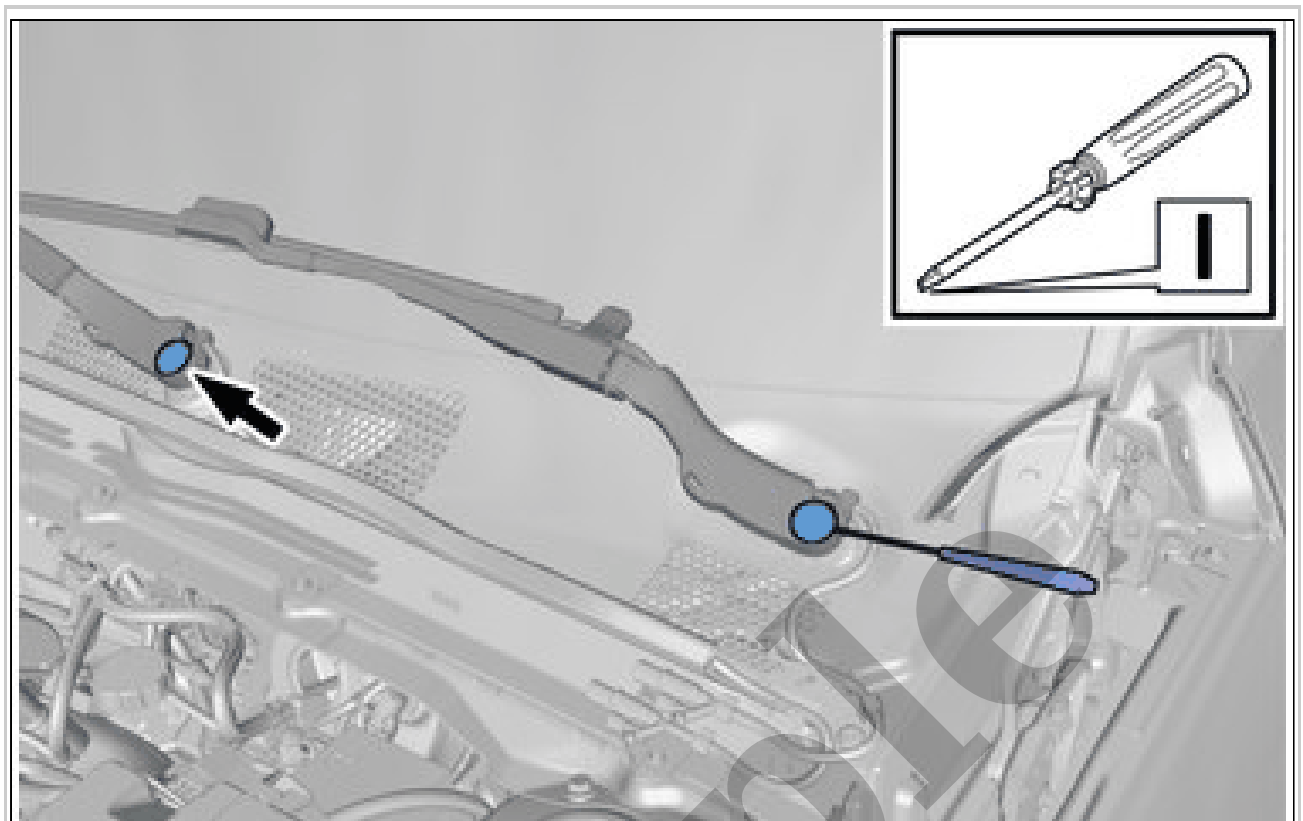


Courtesy of VOLVO CARS CORPORATION

mm



Courtesy of VOLVO CARS CORPORATION

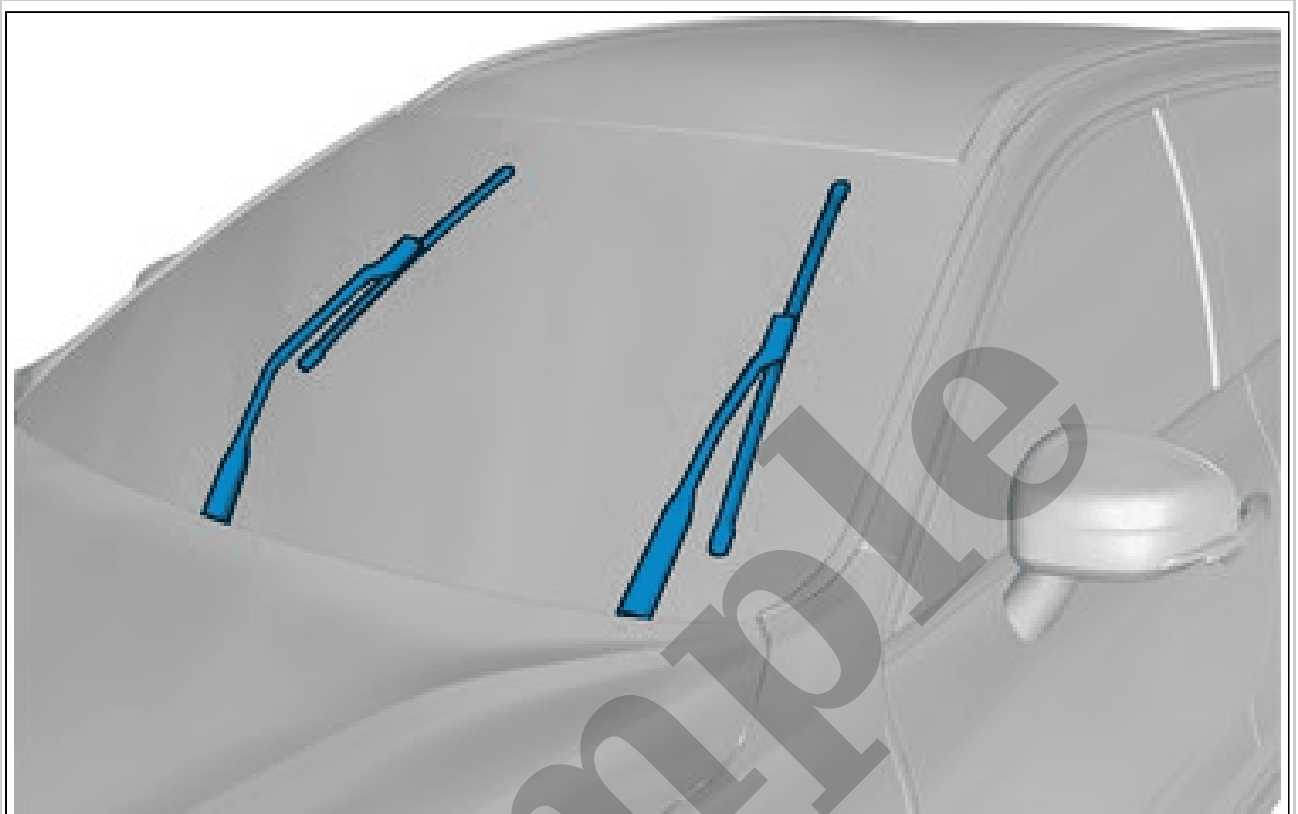


Courtesy of VOLVO CARS CORPORATION

Remove the marked part.

To install, reverse the removal procedure.

WIPER BLADE > WIPER BLADE [2018-2022] > REMOVAL



Courtesy of VOLVO CARS CORPORATION

NOTE: *Activate service mode wiper blade*