

Your Ultimate Source for OEM Repair Manuals

FactoryManuals.net is a great resource for anyone who wants to save money on repairs by doing their own work. The manuals provide detailed instructions and diagrams that make it easy to understand how to fix a vehicle.

1997 VOLVO S70 OEM Service and Repair Workshop Manual

[Go to manual page](#)

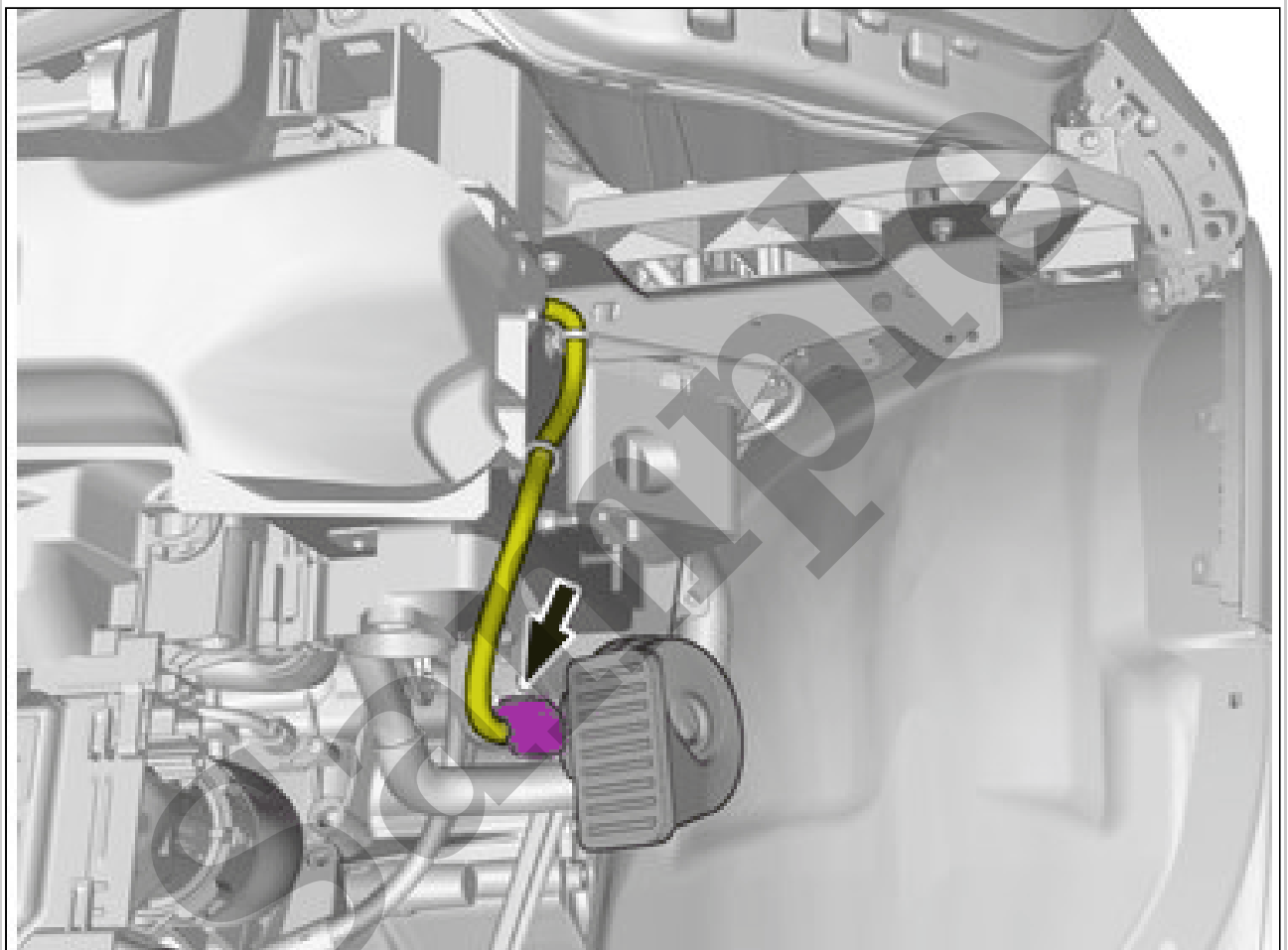
HORN > HORN [2018-2020 | 2021-2022, B4204T18; B4204T47] > REMOVAL

NOTE: Removal steps in this procedure may contain installation details.

Set the vehicle to Inactive mode, described in user mode. Refer to: USAGE MODE

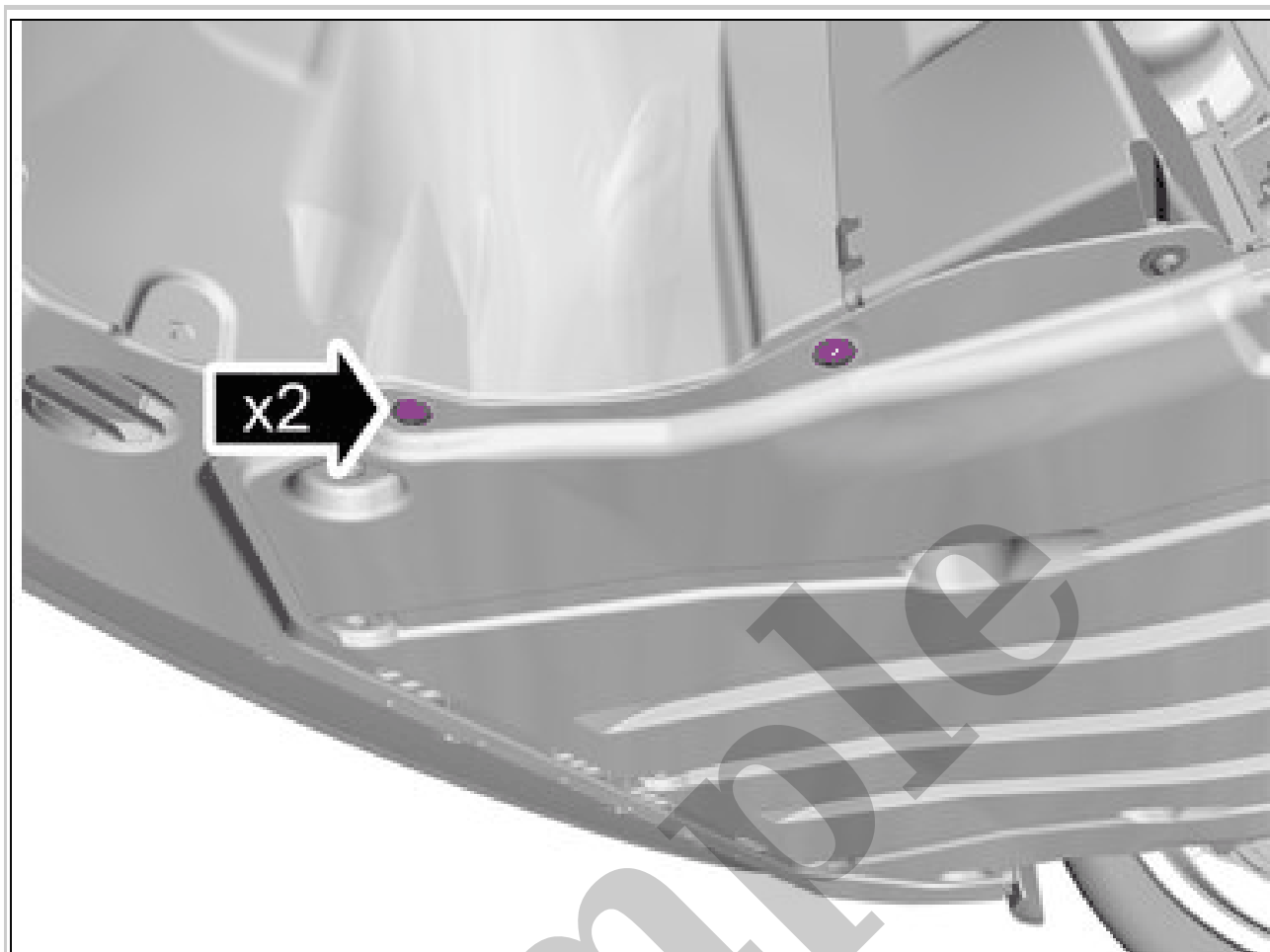
Remove casing bumper front. Refer to: COVER BUMPER FRONT

APPLIES TO THE LEFT-HAND SIDE:



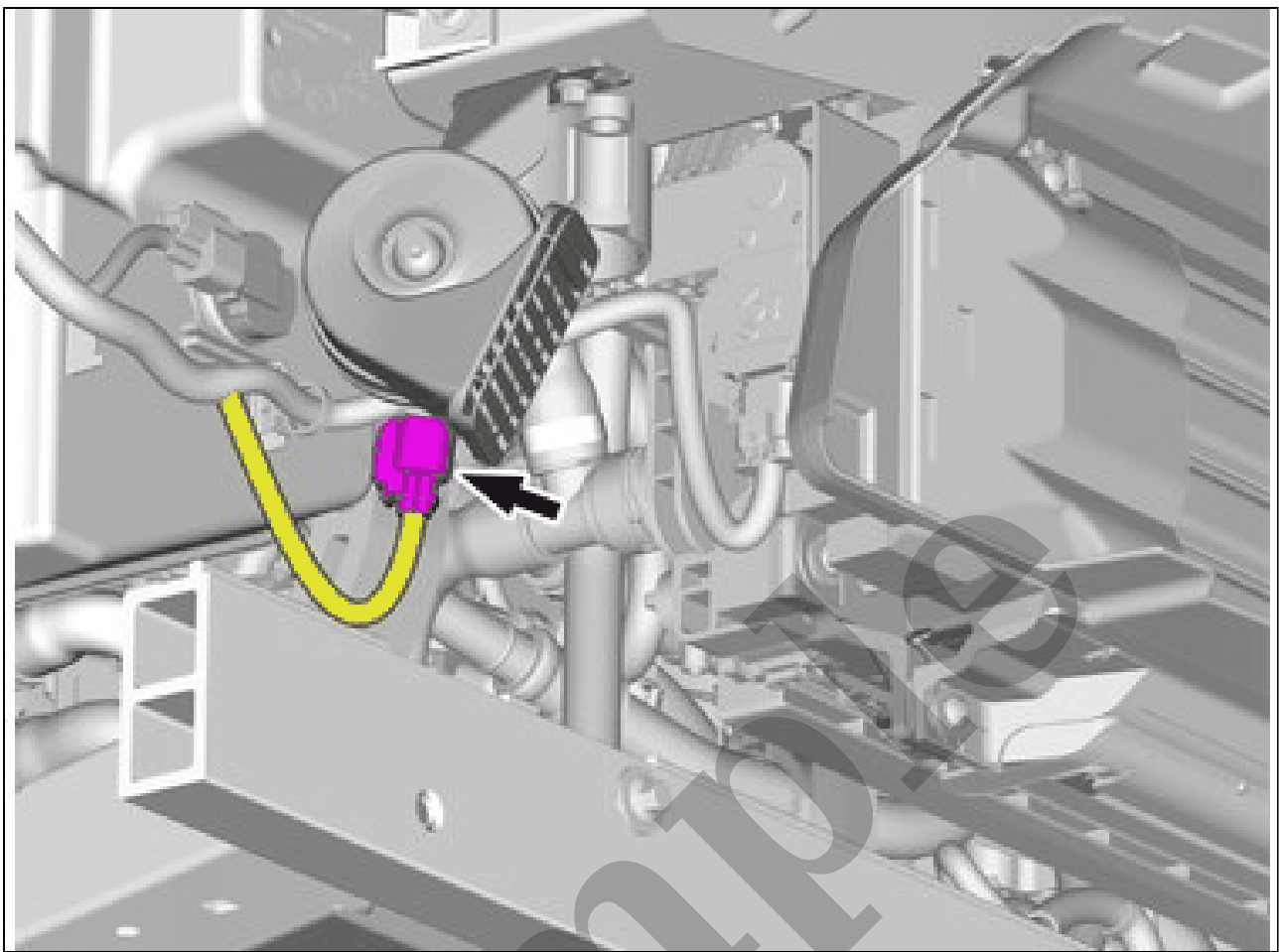
Courtesy of VOLVO CARS CORPORATION

Disconnect the connector.



Courtesy of VOLVO CARS CORPORATION

Remove the screws.



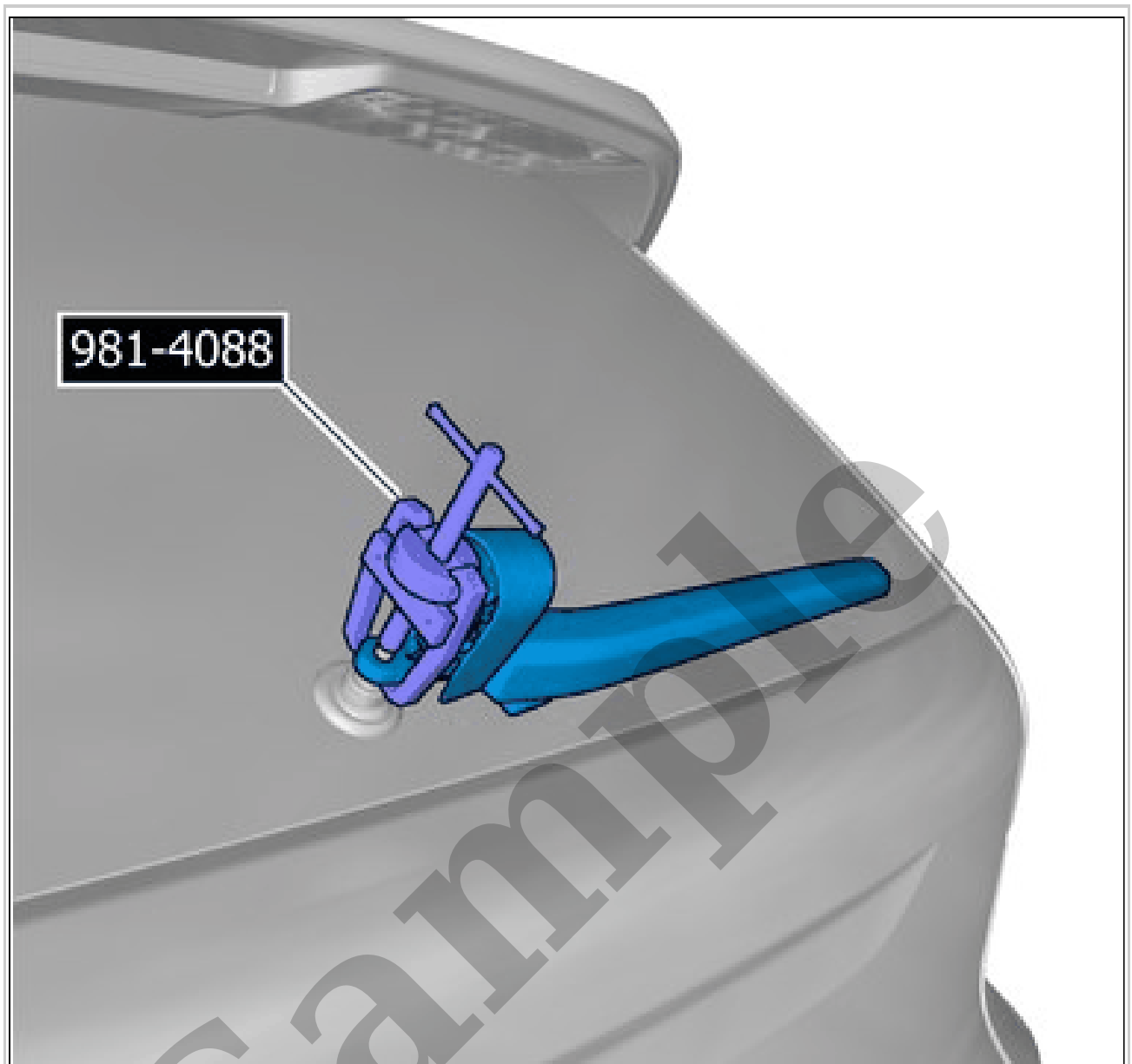
Courtesy of VOLVO CARS CORPORATION

Disconnect the connector.



Courtesy of VOLVO CARS CORPORATION

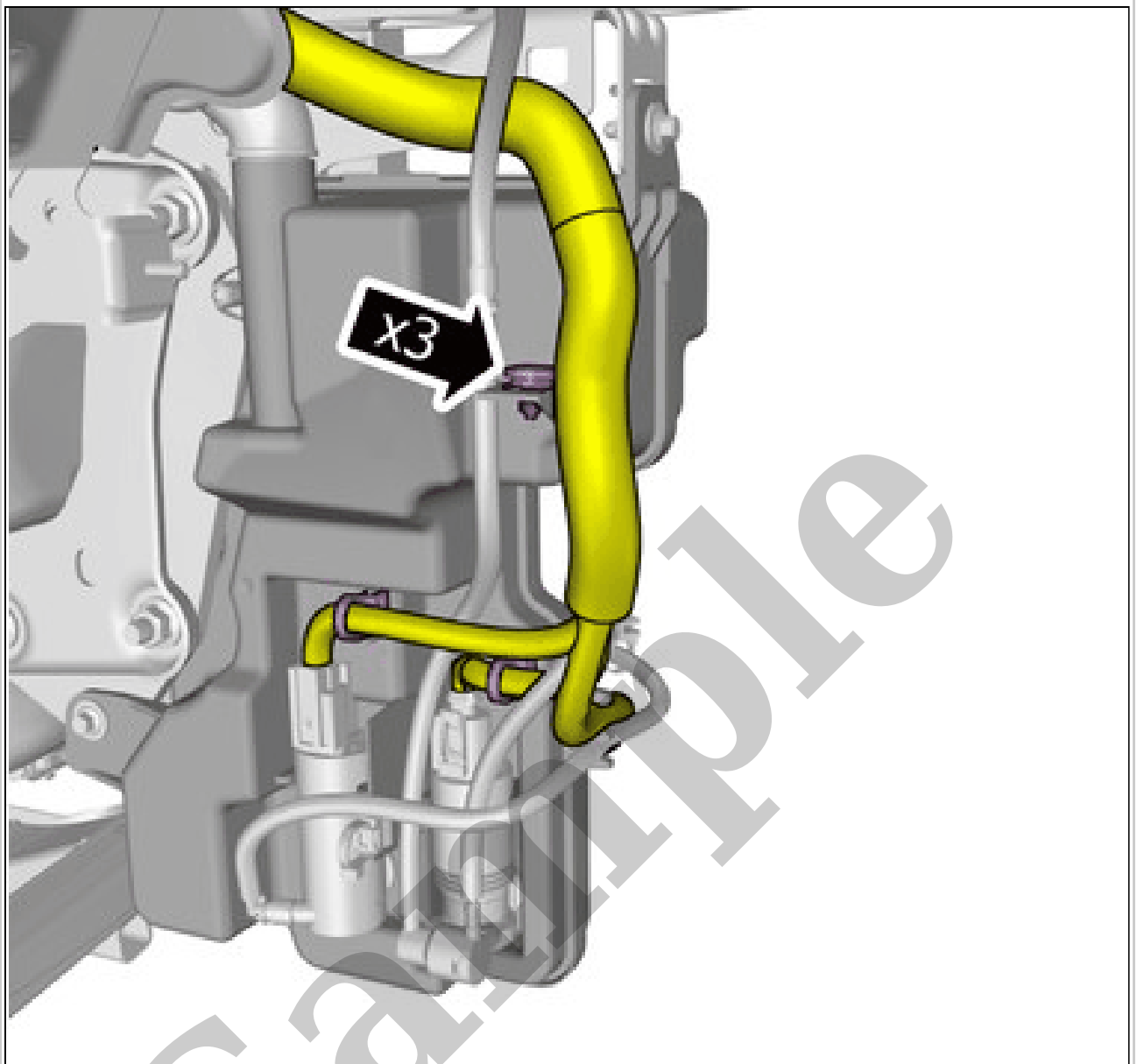
NOTE: *Orientation view*



Courtesy of VOLVO CARS CORPORATION

Special Tool: 981 4088 Puller
Remove the marked part.

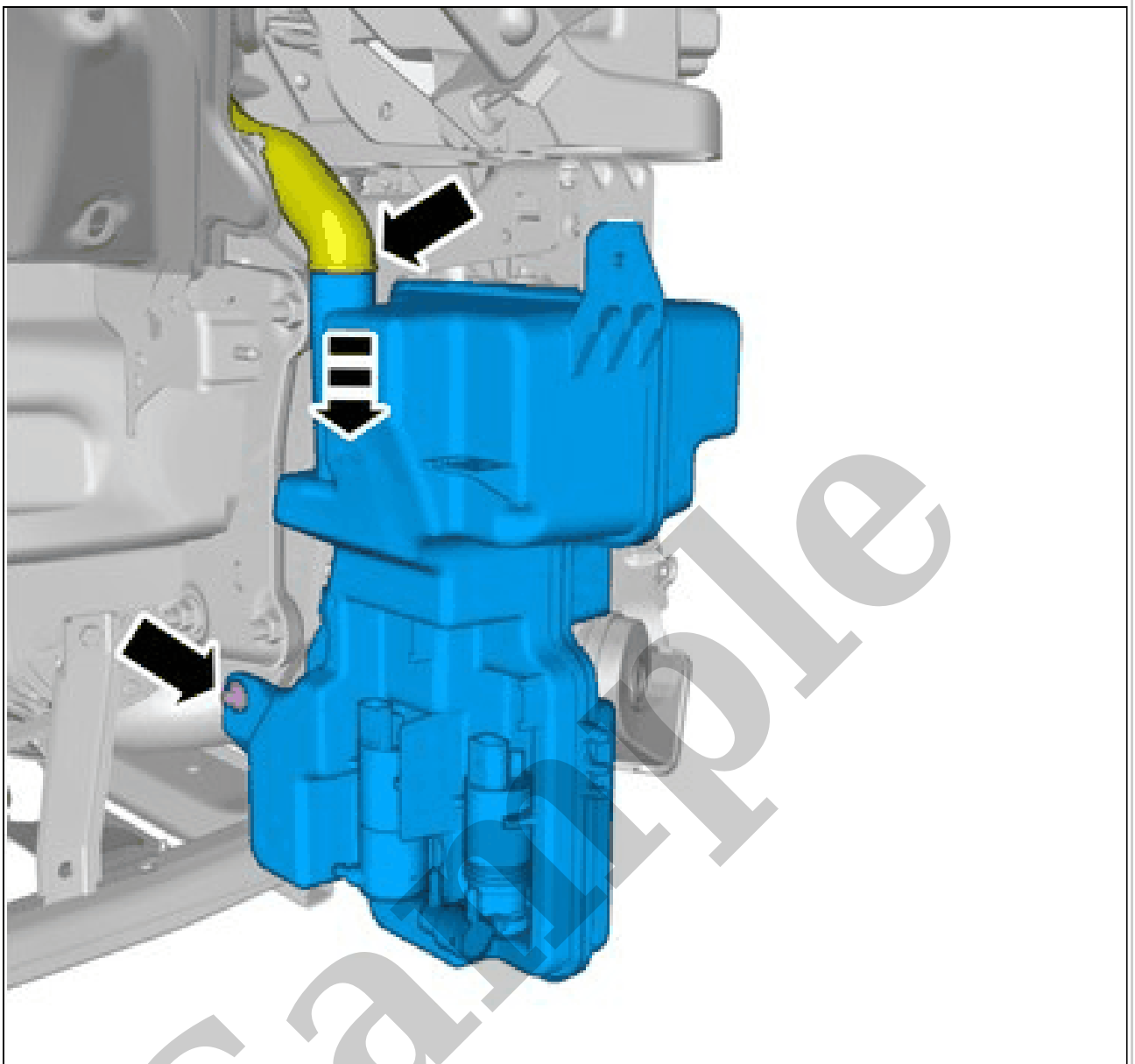
TRANSFERRING COMPONENTS



Courtesy of VOLVO CARS CORPORATION

Unhook the cable harness clips.

Set the vehicle to Inactive mode, described in user mode. Refer to: USAGE MODE



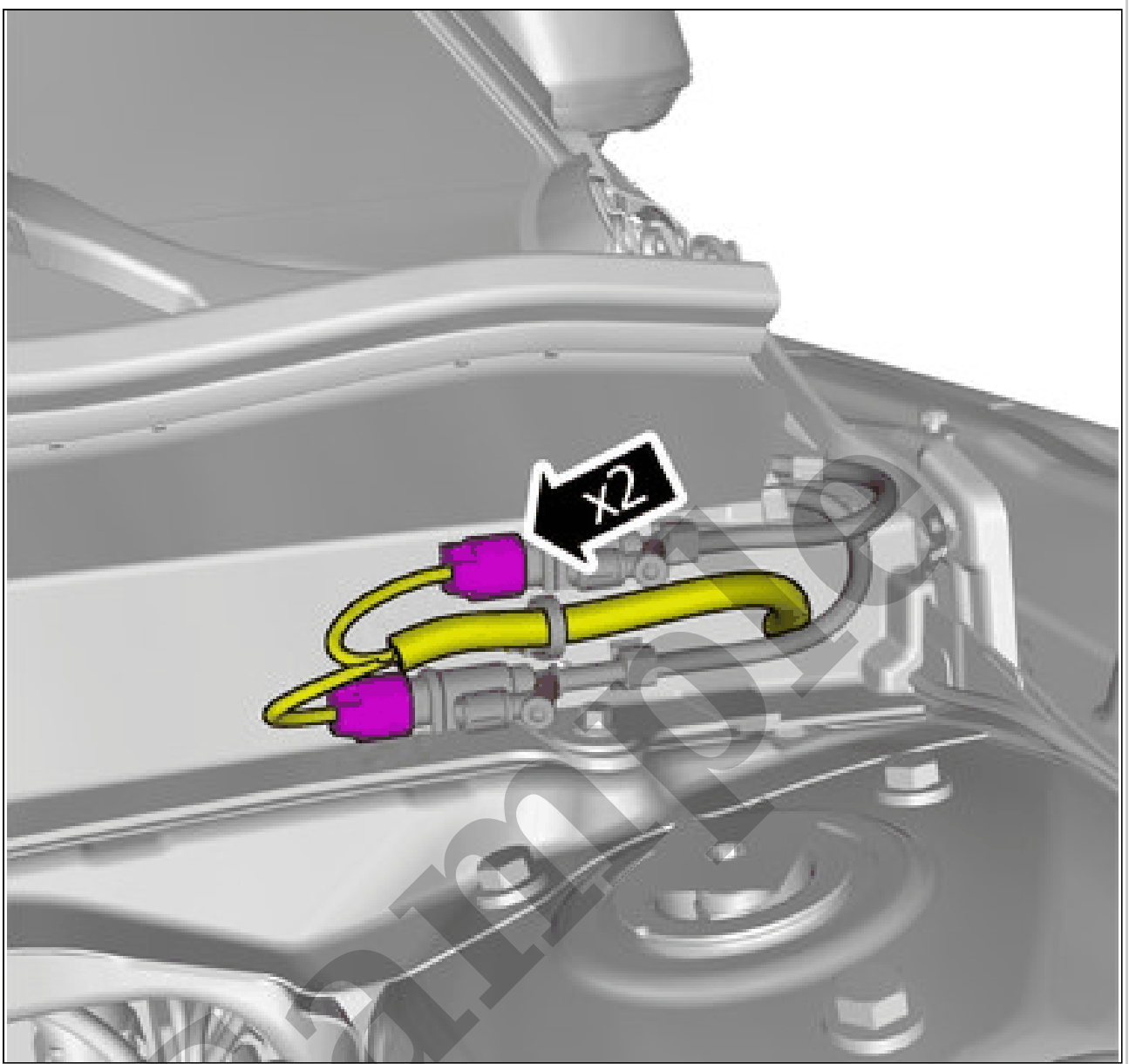
Courtesy of VOLVO CARS CORPORATION

Torque: M6, 10Nm

Remove the screw.

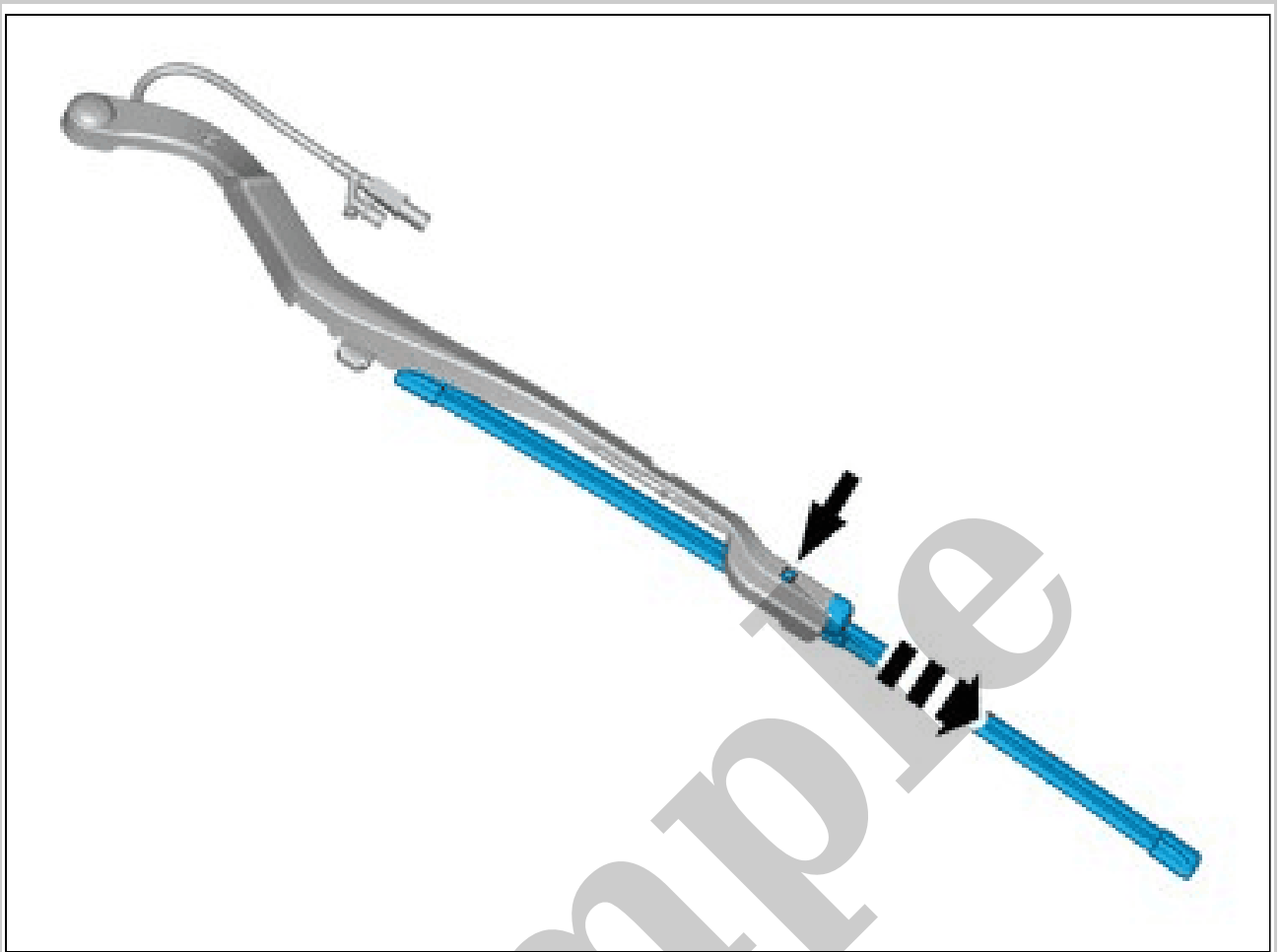
Remove the marked part.

TRANSFERRING COMPONENTS



Courtesy of VOLVO CARS CORPORATION

Disconnect the connectors.



Courtesy of VOLVO CARS CORPORATION

Remove the marked part.