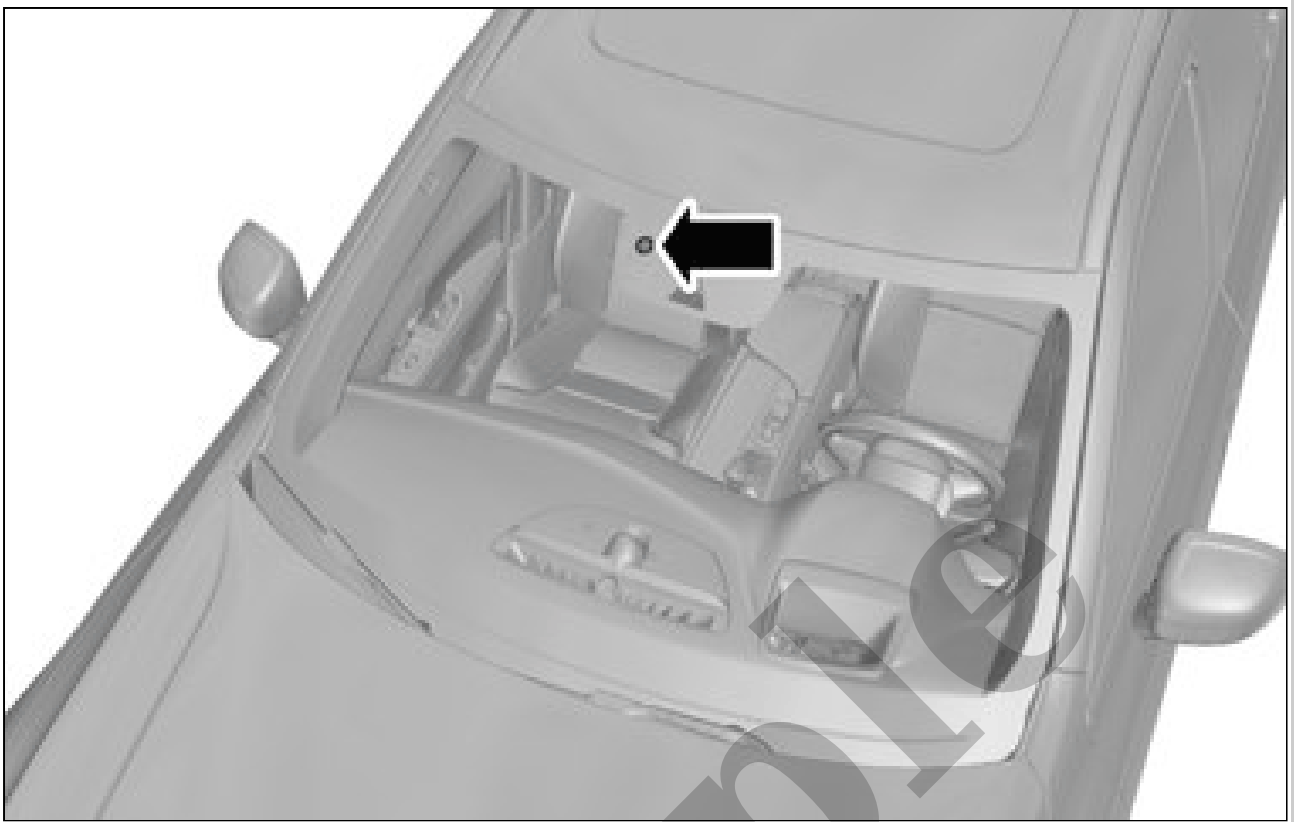


Your Ultimate Source for OEM Repair Manuals

FactoryManuals.net is a great resource for anyone who wants to save money on repairs by doing their own work. The manuals provide detailed instructions and diagrams that make it easy to understand how to fix a vehicle.

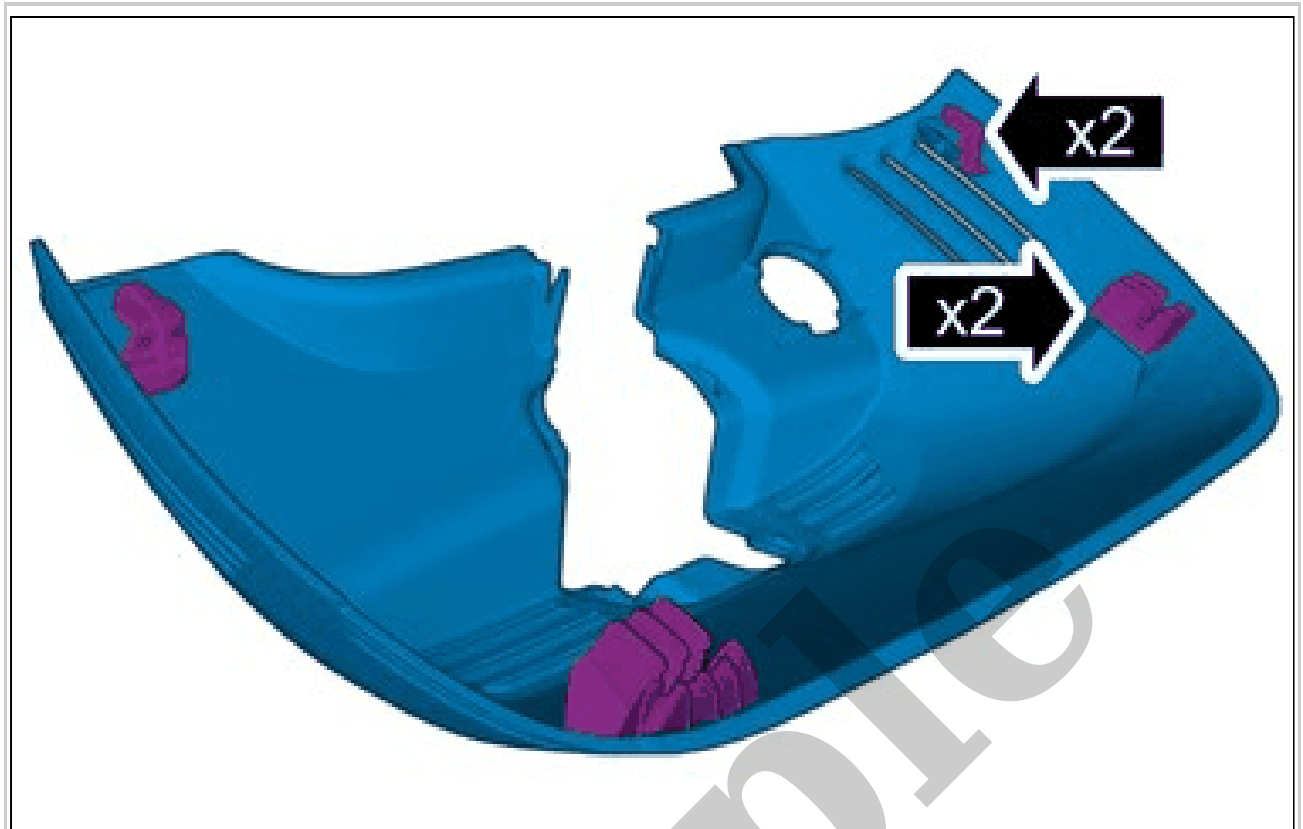
1997 VOLVO 940 OEM Service and Repair Workshop Manual

[Go to manual page](#)



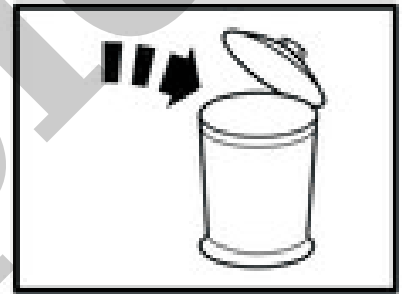
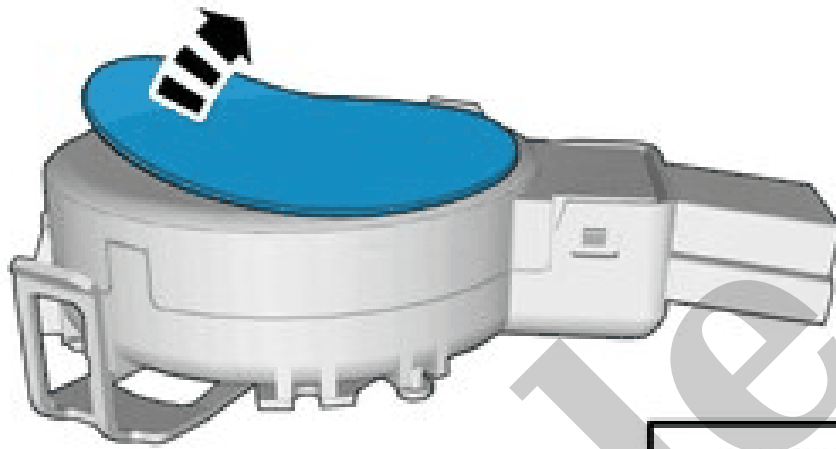
Courtesy of VOLVO CARS CORPORATION

NOTE: *Orientation view*



Courtesy of VOLVO CARS CORPORATION

Sample



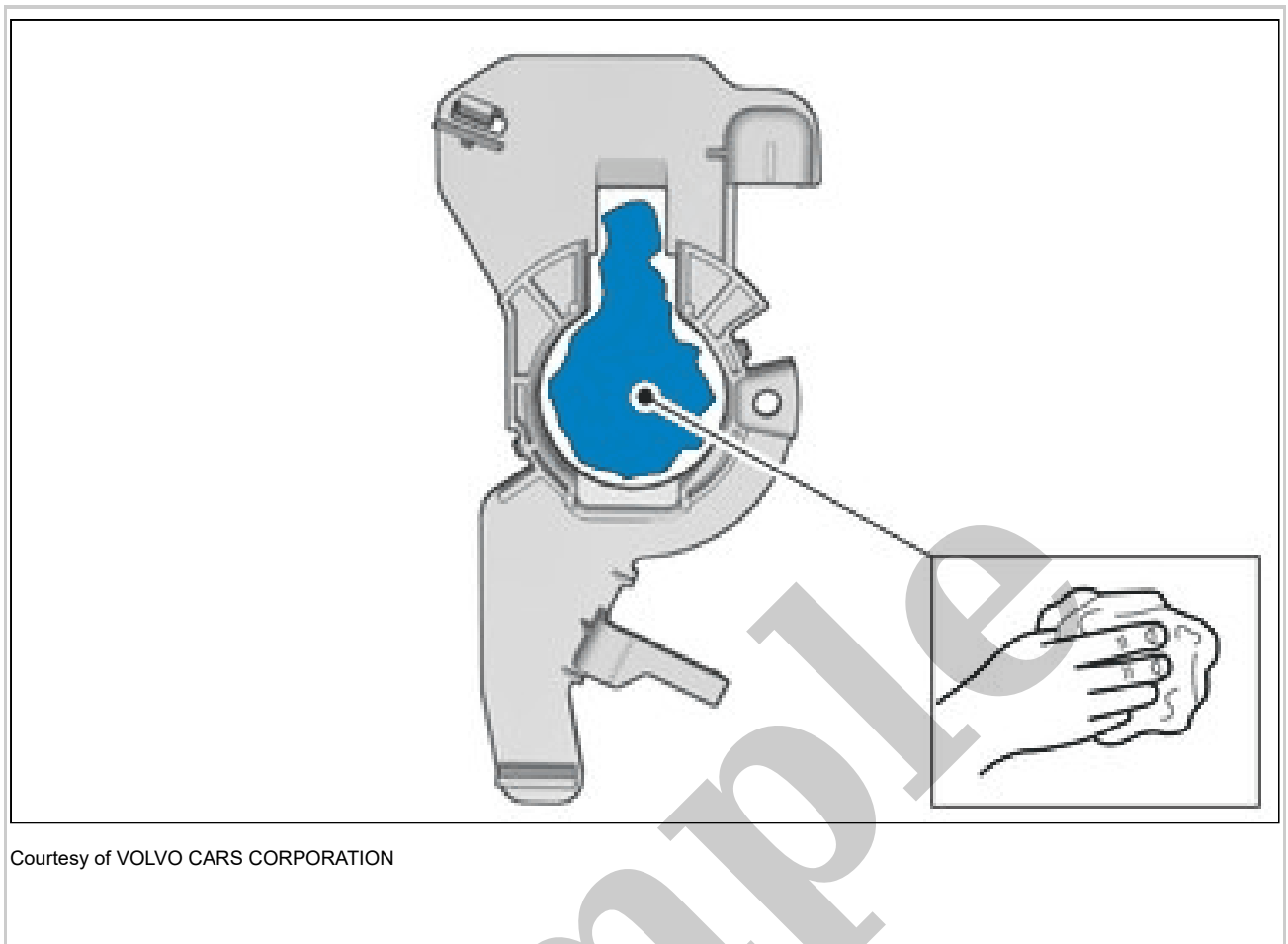
Courtesy of VOLVO CARS CORPORATION

NOTE: *This step is not necessary when installing a new component.*

NOTE: *Use a new seal.*

Remove the marked part.
The part is not to be reused.

RAIN AND LIGHT SENSOR RLSM > RAIN AND LIGHT SENSOR RLSM [2018-2020 | 2021-2022, B4204T18 | 2021-2022, B4204T47] > INSTALLATION



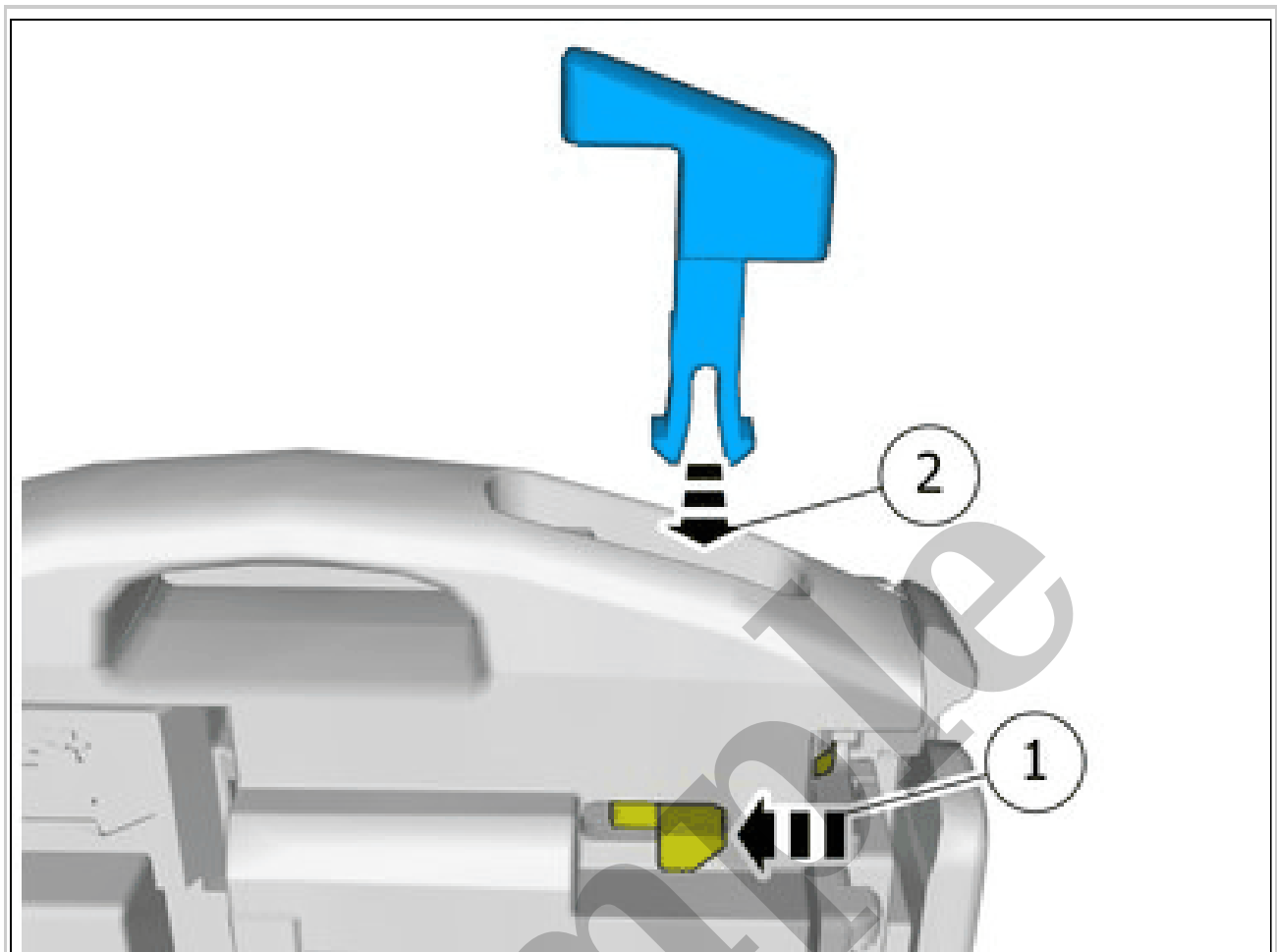
Courtesy of VOLVO CARS CORPORATION

CAUTION: Make sure that the surface is clean and free of foreign material.

CAUTION: Use lint free cloth.

Use: Cleaning agent, 1161721 **Use:** Window cleaner,
To install, reverse the removal procedure.
Perform rain sensor check. Refer to: RAIN SENSOR, CHECK

REMOTE KEY SLIDER > REMOTE KEY SLIDER [2018-2022] > REMOVAL



Courtesy of VOLVO CARS CORPORATION

Release the lock.

Install the marked component.

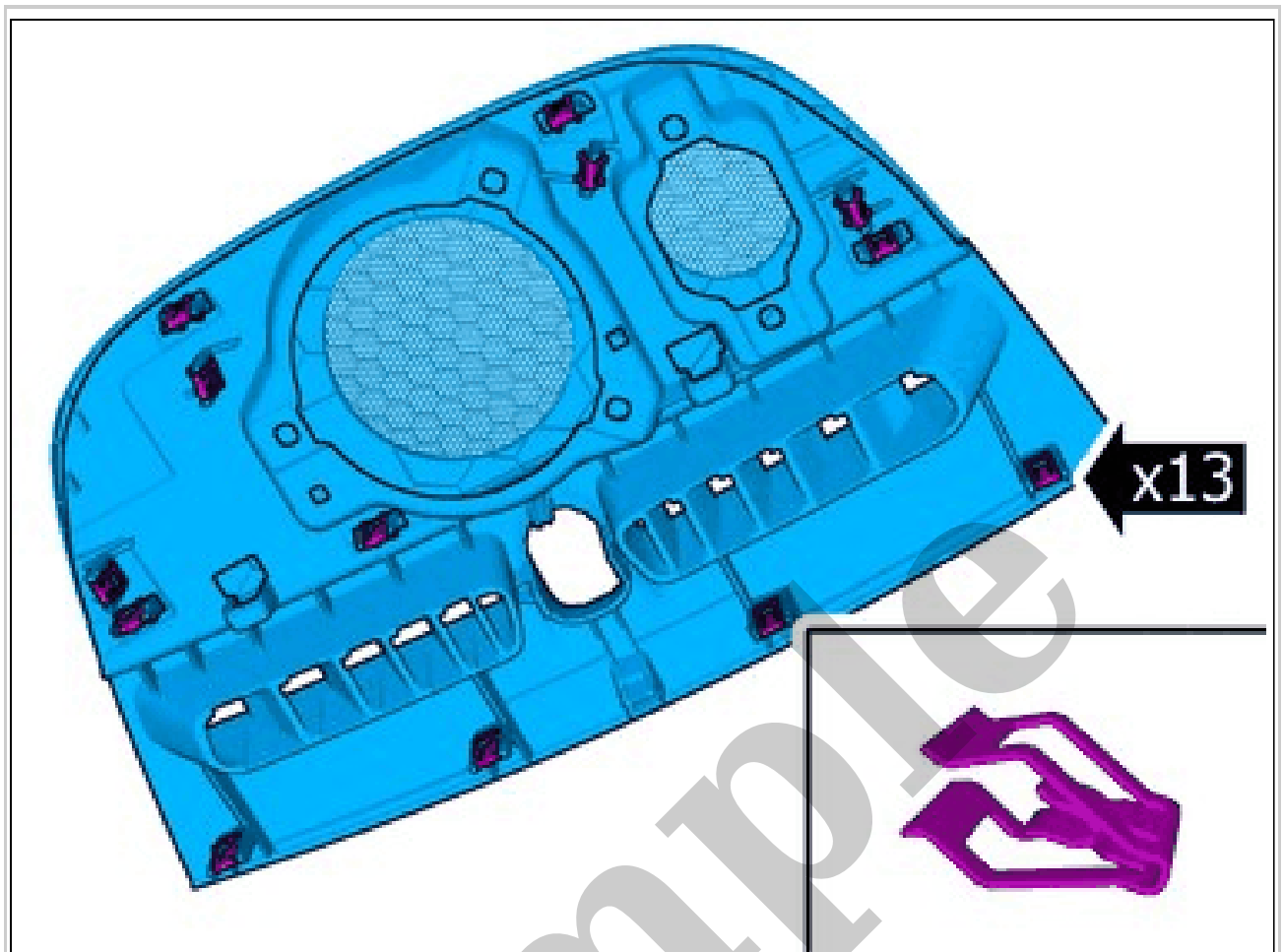
ALL VEHICLES

To install, reverse the removal procedure.

**SIDE OBSTACLE DETECTION CONTROL MODULE LEFT > SIDE OBSTACLE
DETECTION CONTROL MODULE LEFT (SODL) [2018-2022] > REMOVAL**

Set the vehicle to Inactive mode, described in user mode. Refer to: USAGE MODE

Remove casing bumper rear. Refer to: COVER BUMPER REAR



Courtesy of VOLVO CARS CORPORATION

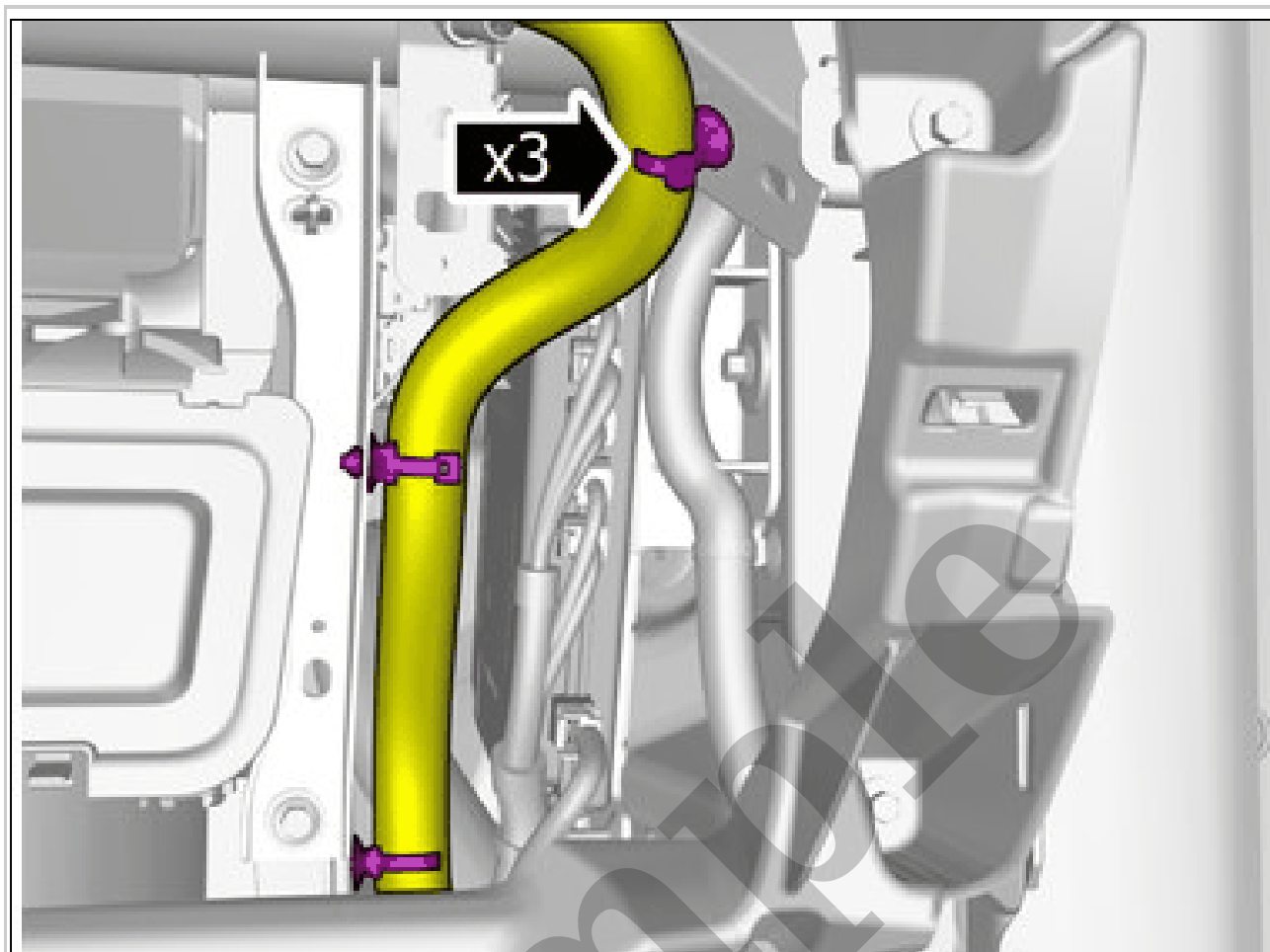
NOTE: *The graphic shows the back of the component before removal.*



Courtesy of VOLVO CARS CORPORATION

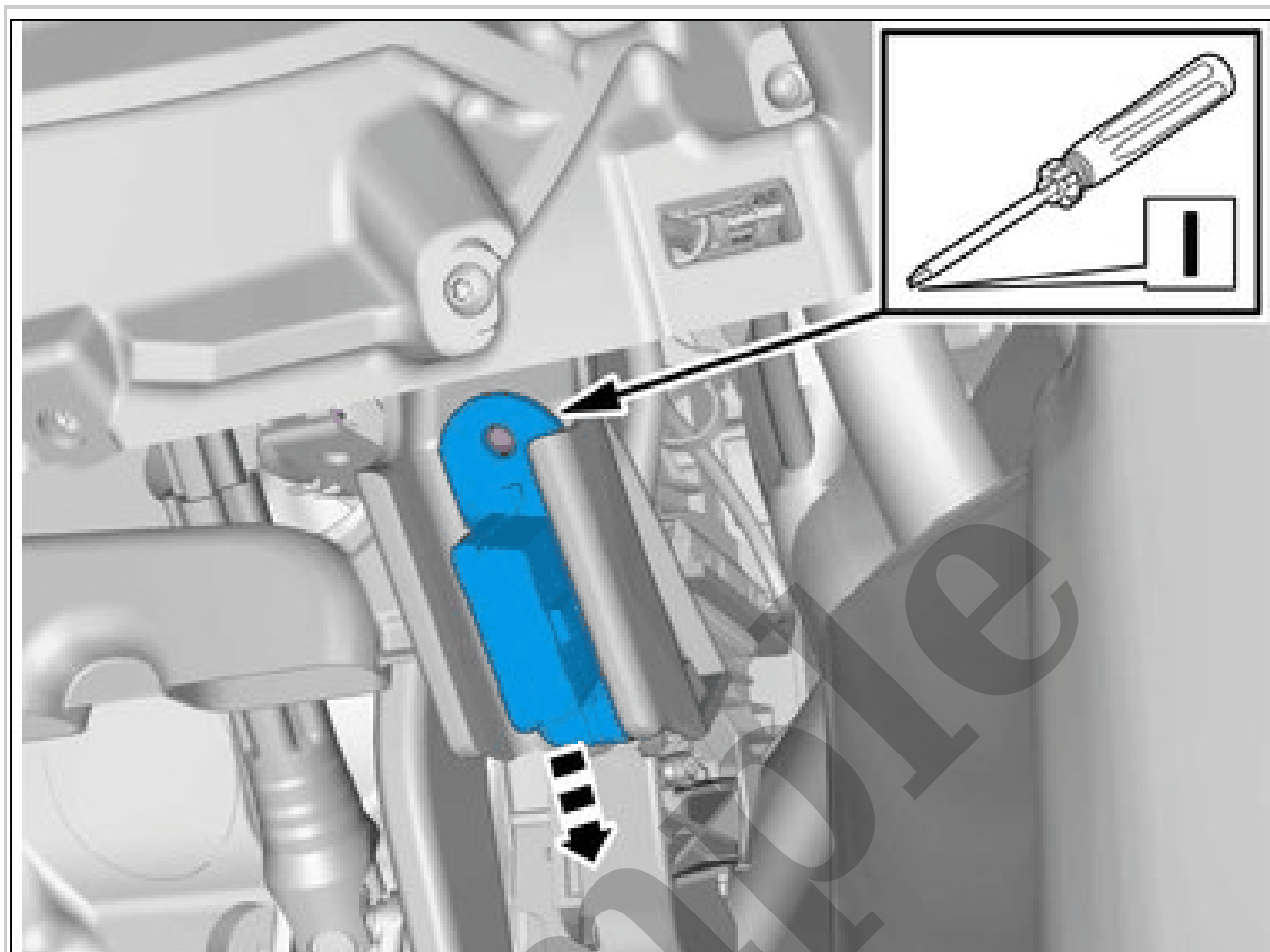
NOTE: *Orientation view*

Set the vehicle to Inactive mode, described in user mode. Refer to: USAGE MODE
Remove glove compartment. Refer to: GLOVE COMPARTMENT



Courtesy of VOLVO CARS CORPORATION

Loosen the clips.
Fold marked part aside.



Courtesy of VOLVO CARS CORPORATION

Remove the marked part.

Use: Electrician's screwdriver