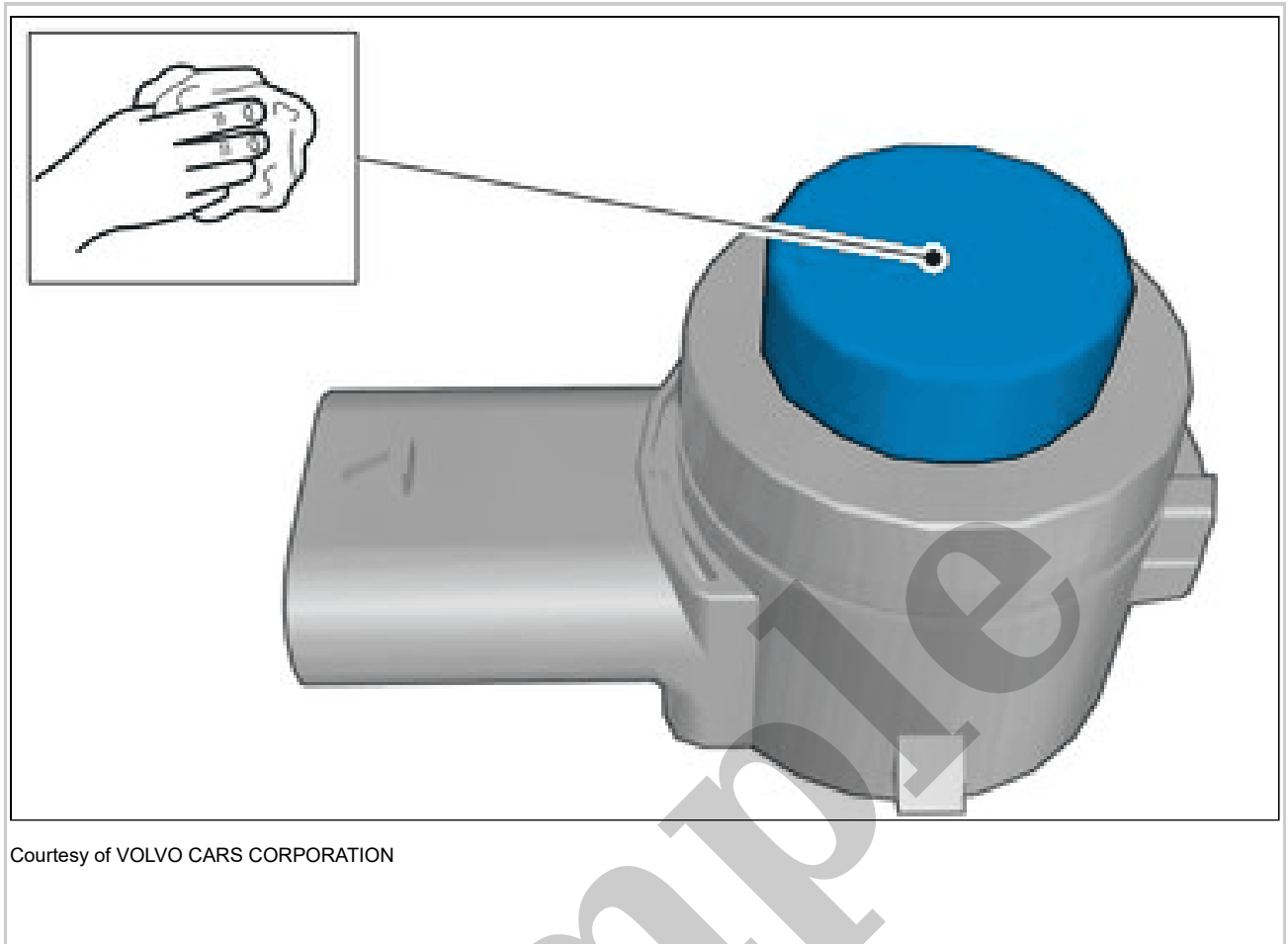


Your Ultimate Source for OEM Repair Manuals

FactoryManuals.net is a great resource for anyone who wants to save money on repairs by doing their own work. The manuals provide detailed instructions and diagrams that make it easy to understand how to fix a vehicle.

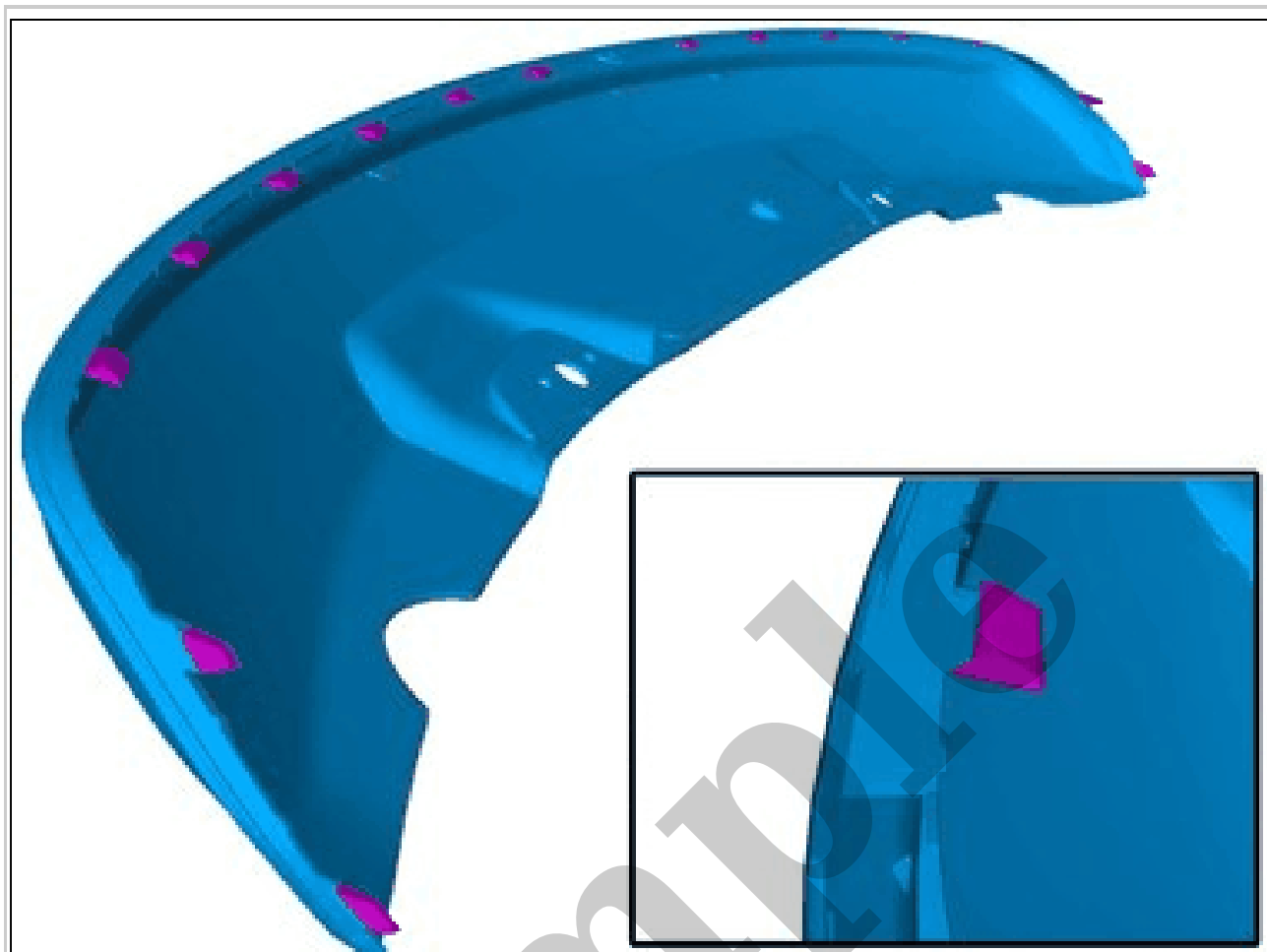
1997 VOLVO 940 Estate OEM Service and Repair Workshop Manual

[Go to manual page](#)



Courtesy of VOLVO CARS CORPORATION

Use: Cleaning agent, 1161721
Allow to dry.



Courtesy of VOLVO CARS CORPORATION

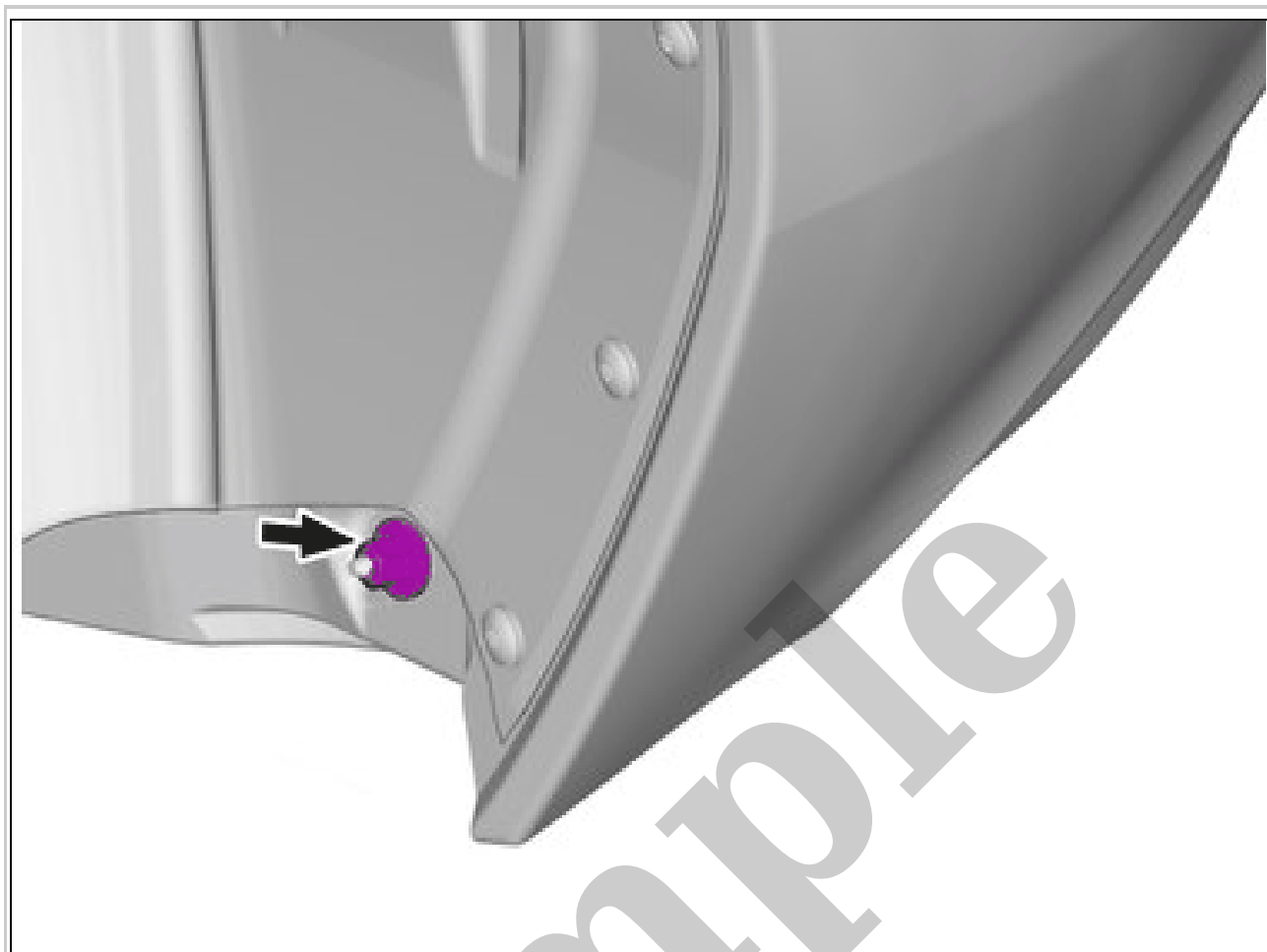
NOTE: *The graphic shows the back of the component before removal.*



Courtesy of VOLVO CARS CORPORATION

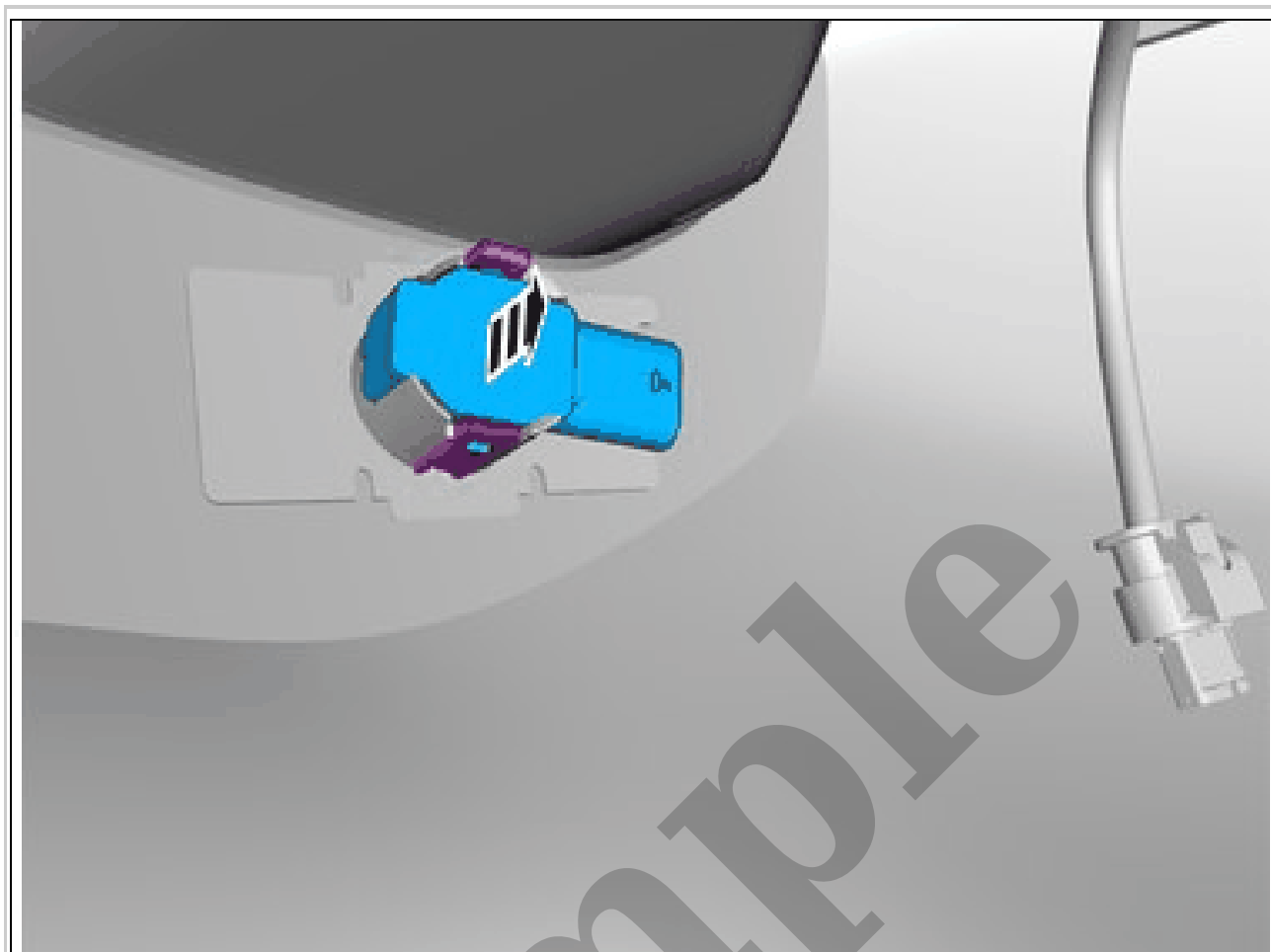
NOTE: *Orientation view*

Remove casing bumper rear. Refer to: COVER BUMPER REAR



Courtesy of VOLVO CARS CORPORATION

Remove the nut.
Repeat on the other side.



Courtesy of VOLVO CARS CORPORATION

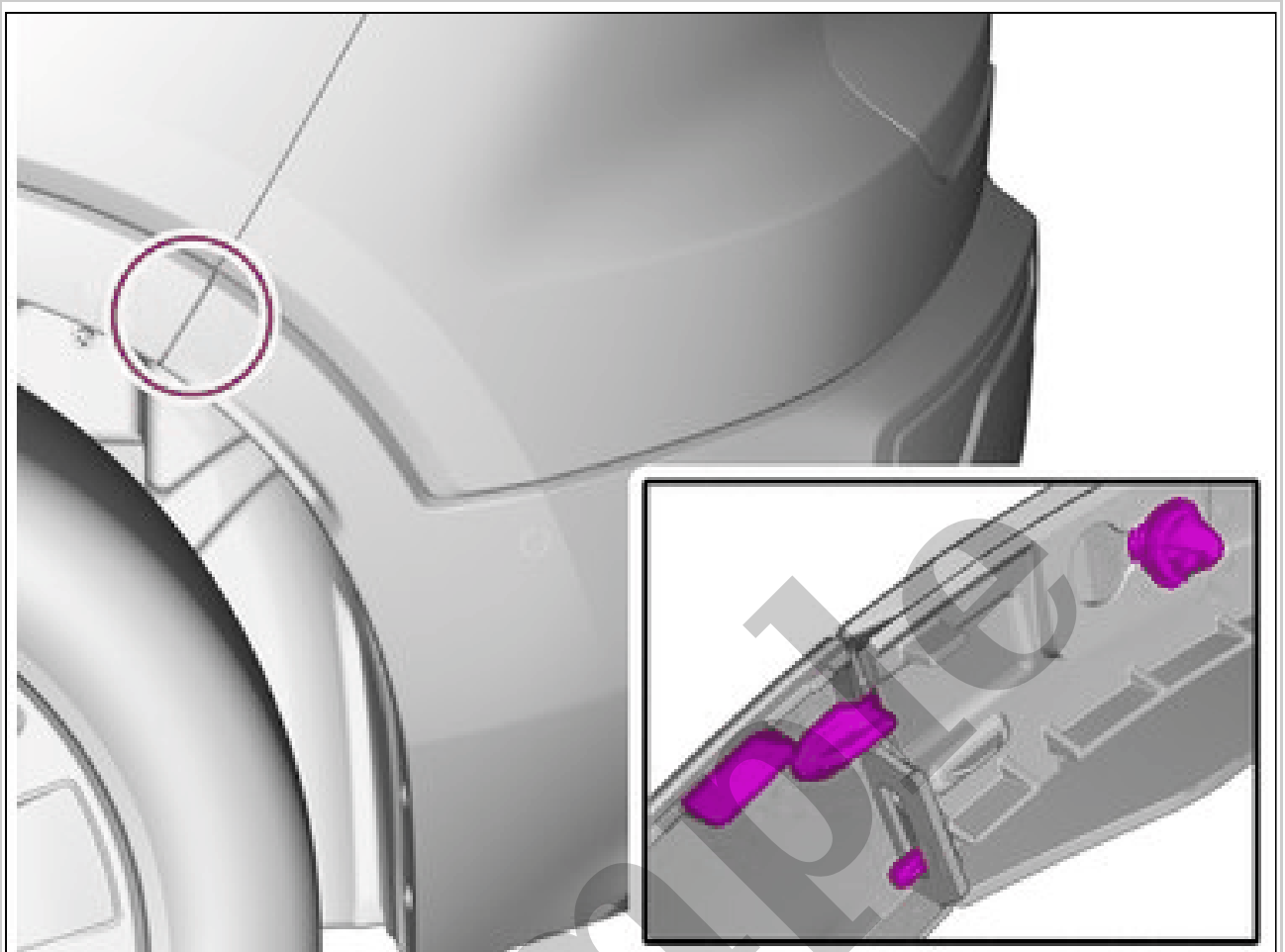
Release the catches.
Remove the marked part.

**PARKING ASSISTANCE SENSOR, REAR, OUTER > PARKING ASSISTANCE SENSOR,
REAR, OUTER [2021-2022, E400V6] > INSTALLATION**

To install, reverse the removal procedure.

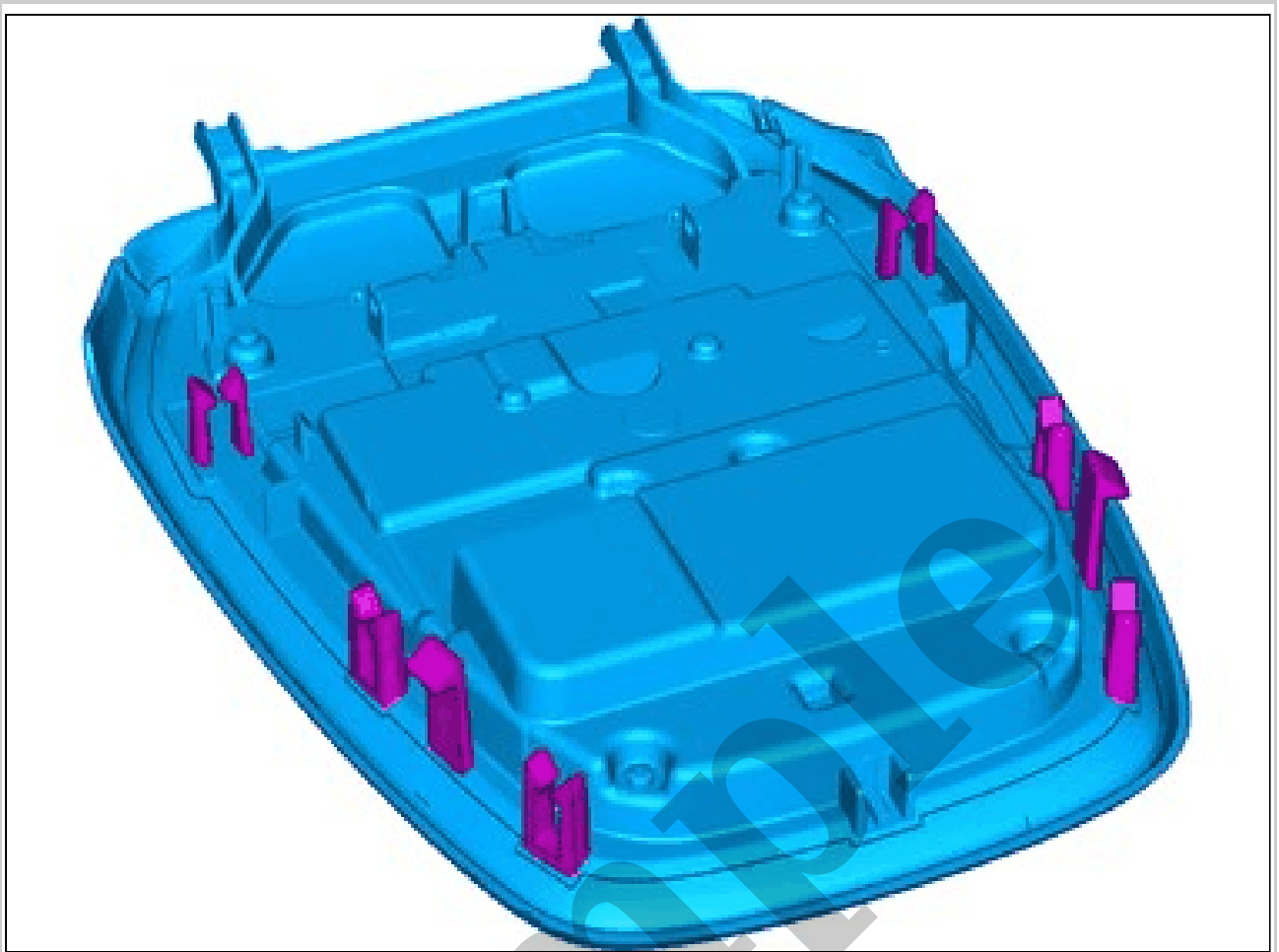
**PARKING ASSISTANCE SENSOR, REAR, OUTER > PARKING ASSISTANCE SENSOR,
REAR, OUTER [2021-2022, B4204T18 | 2021-2022, B4204T47] > REMOVAL**

Set the vehicle to Inactive mode, described in user mode. Refer to: USAGE MODE



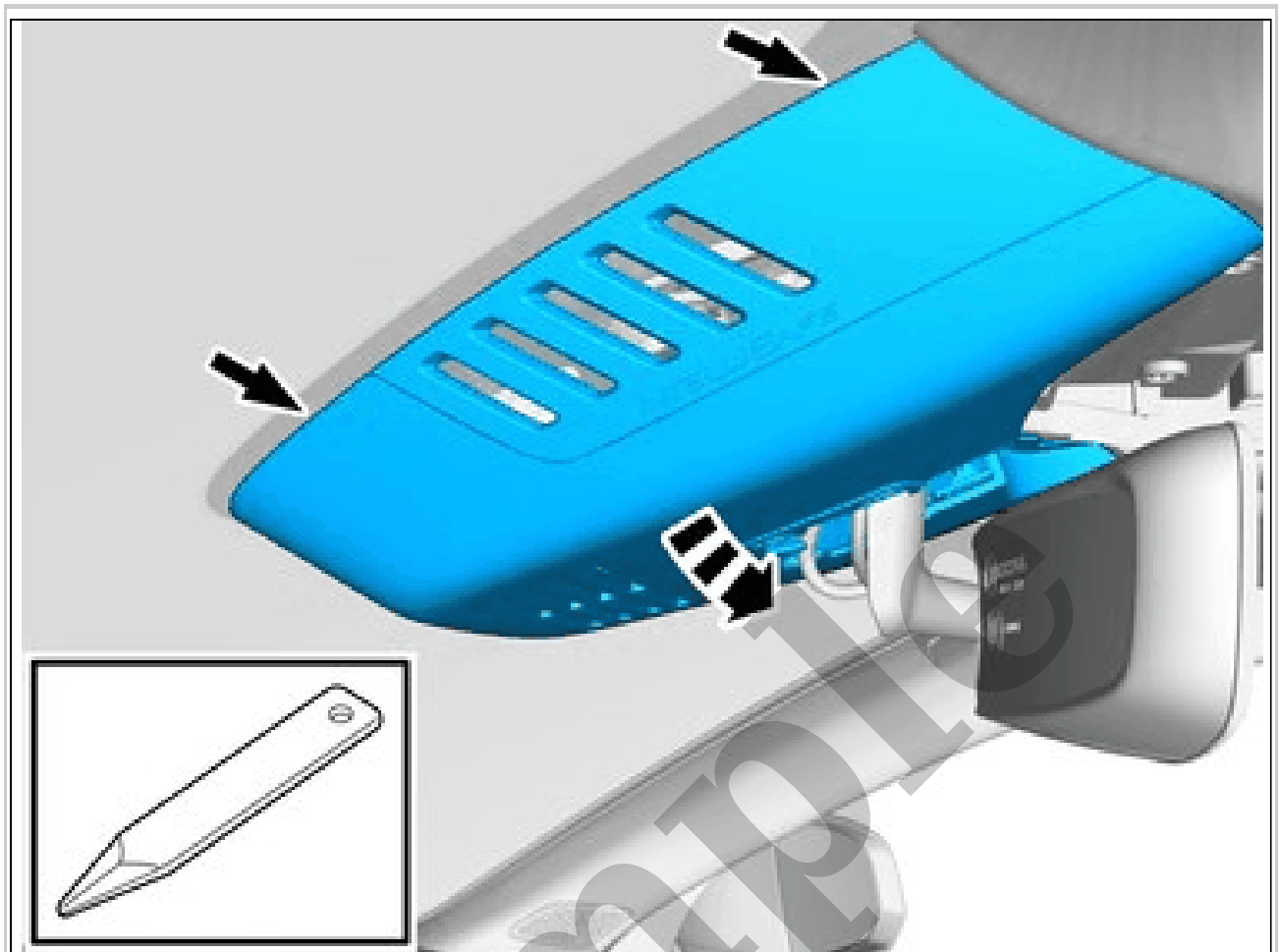
Courtesy of VOLVO CARS CORPORATION

NOTE: *The graphic shows the back of the component before removal.*



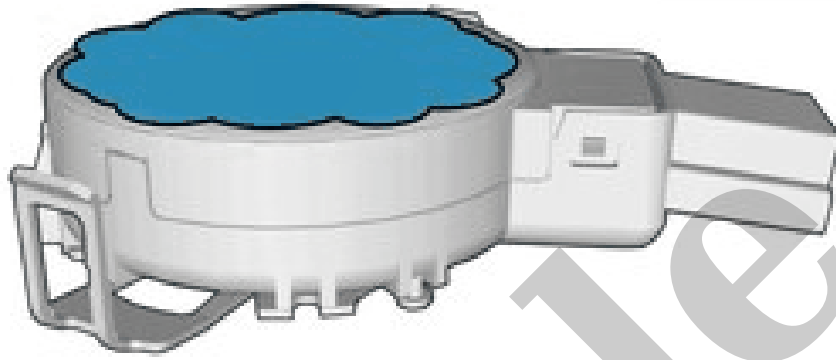
Courtesy of VOLVO CARS CORPORATION

NOTE: *The graphic shows the back of the component before removal.*



Courtesy of VOLVO CARS CORPORATION

Release the catches.
Repeat on the other side.
Remove the marked part.
Use: Interior trim remover



Courtesy of VOLVO CARS CORPORATION

NOTE: *This step is not necessary when installing a new component.*

Clean the surface.

Use: Isopropanol, 1161721