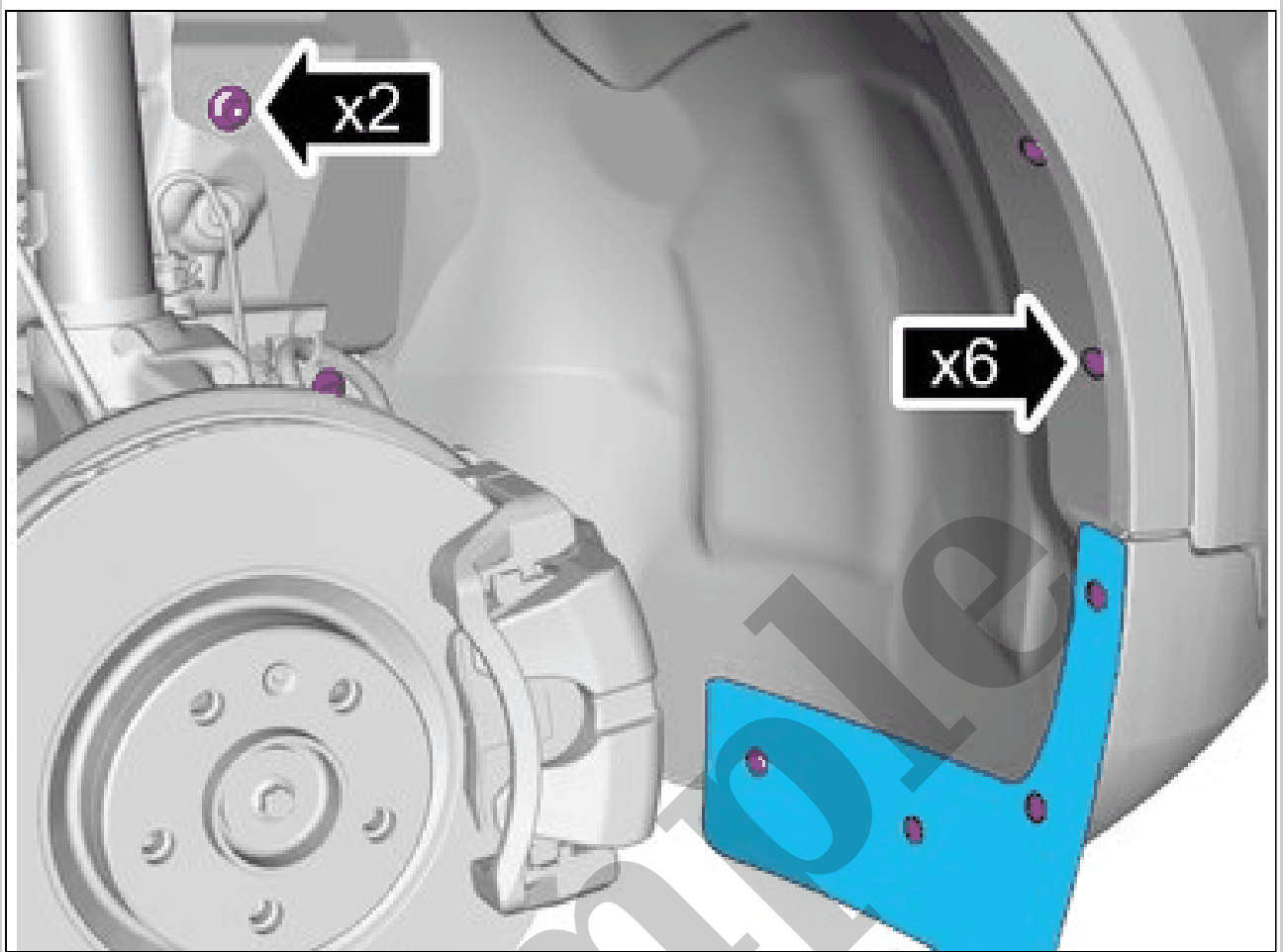


Your Ultimate Source for OEM Repair Manuals

FactoryManuals.net is a great resource for anyone who wants to save money on repairs by doing their own work. The manuals provide detailed instructions and diagrams that make it easy to understand how to fix a vehicle.

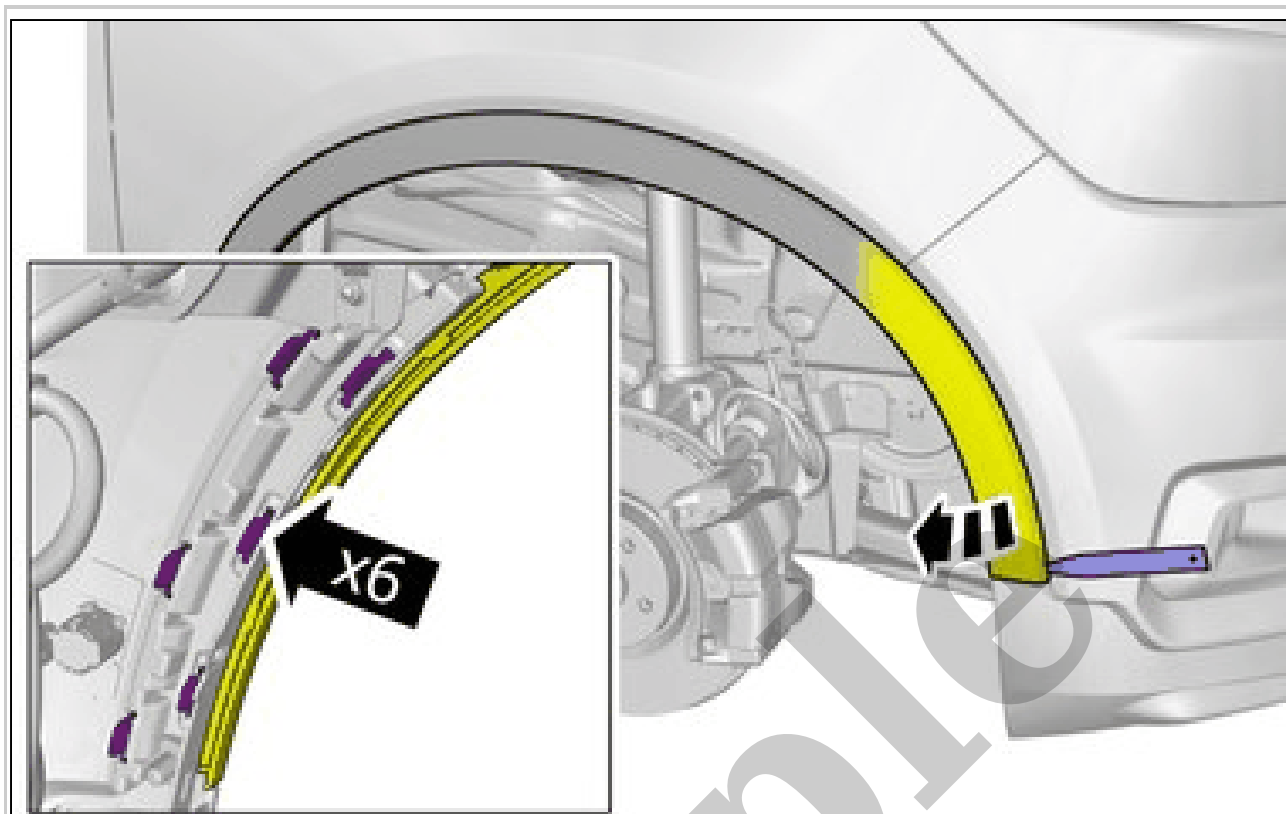
1997 VOLVO 850 OEM Service and Repair Workshop Manual

[Go to manual page](#)



Courtesy of VOLVO CARS CORPORATION

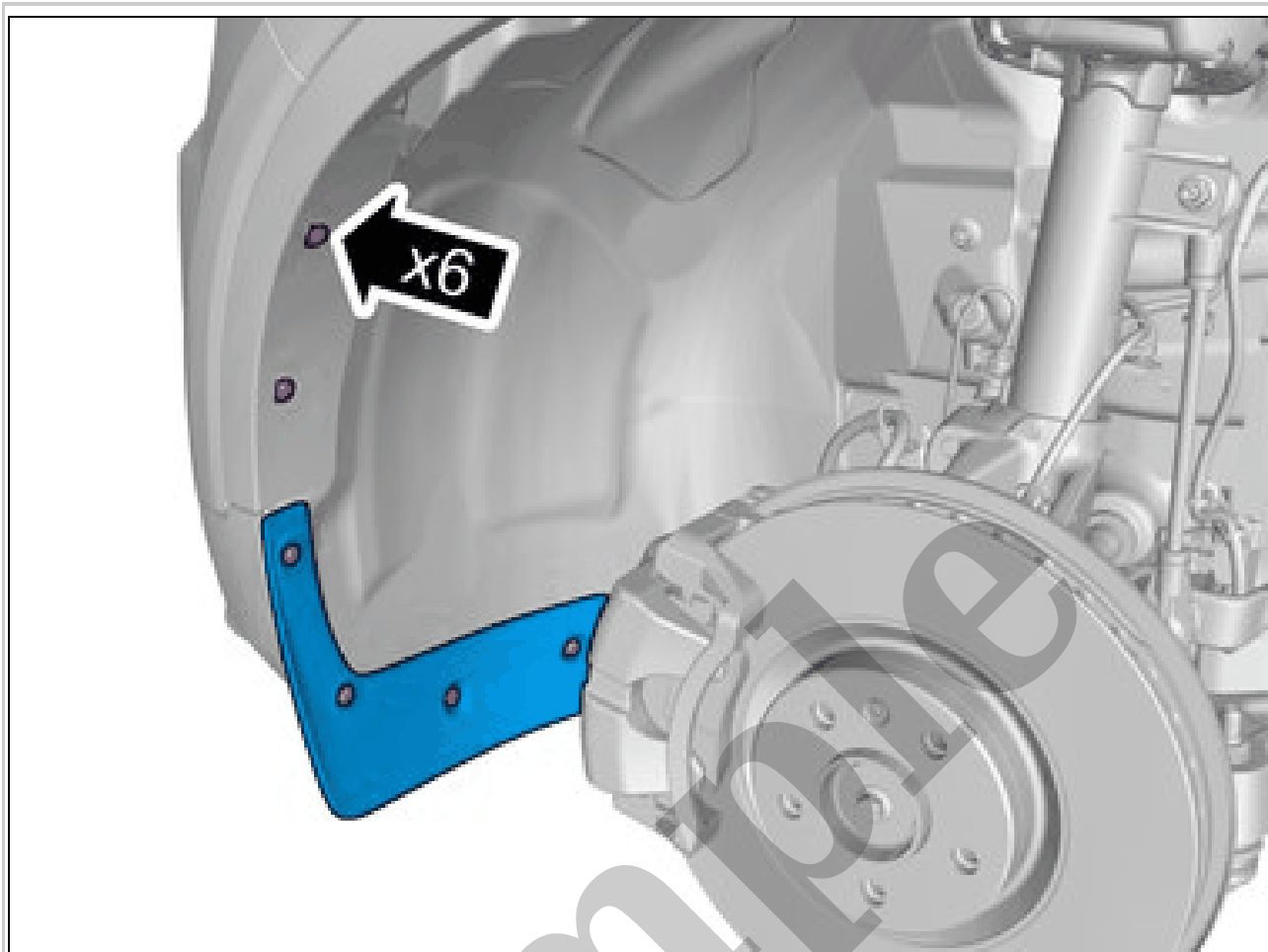
- Remove the screws.
- Remove the nuts.
- Remove the marked part.



Courtesy of VOLVO CARS CORPORATION

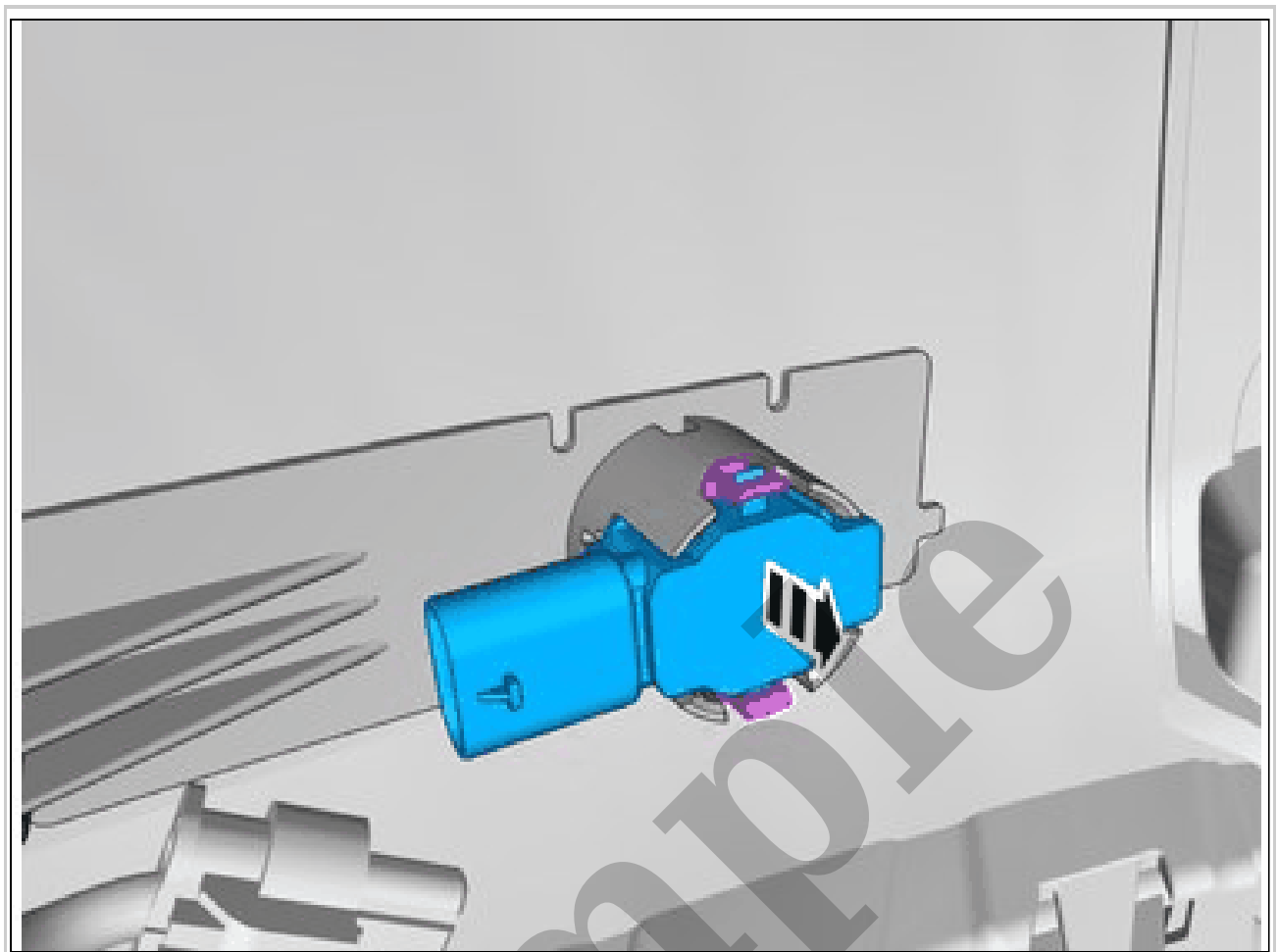
CAUTION: Make sure not to damage painted surfaces.

Loosen the component indicated. Do not remove it.



Courtesy of VOLVO CARS CORPORATION

Remove the screws.
Remove the marked part.

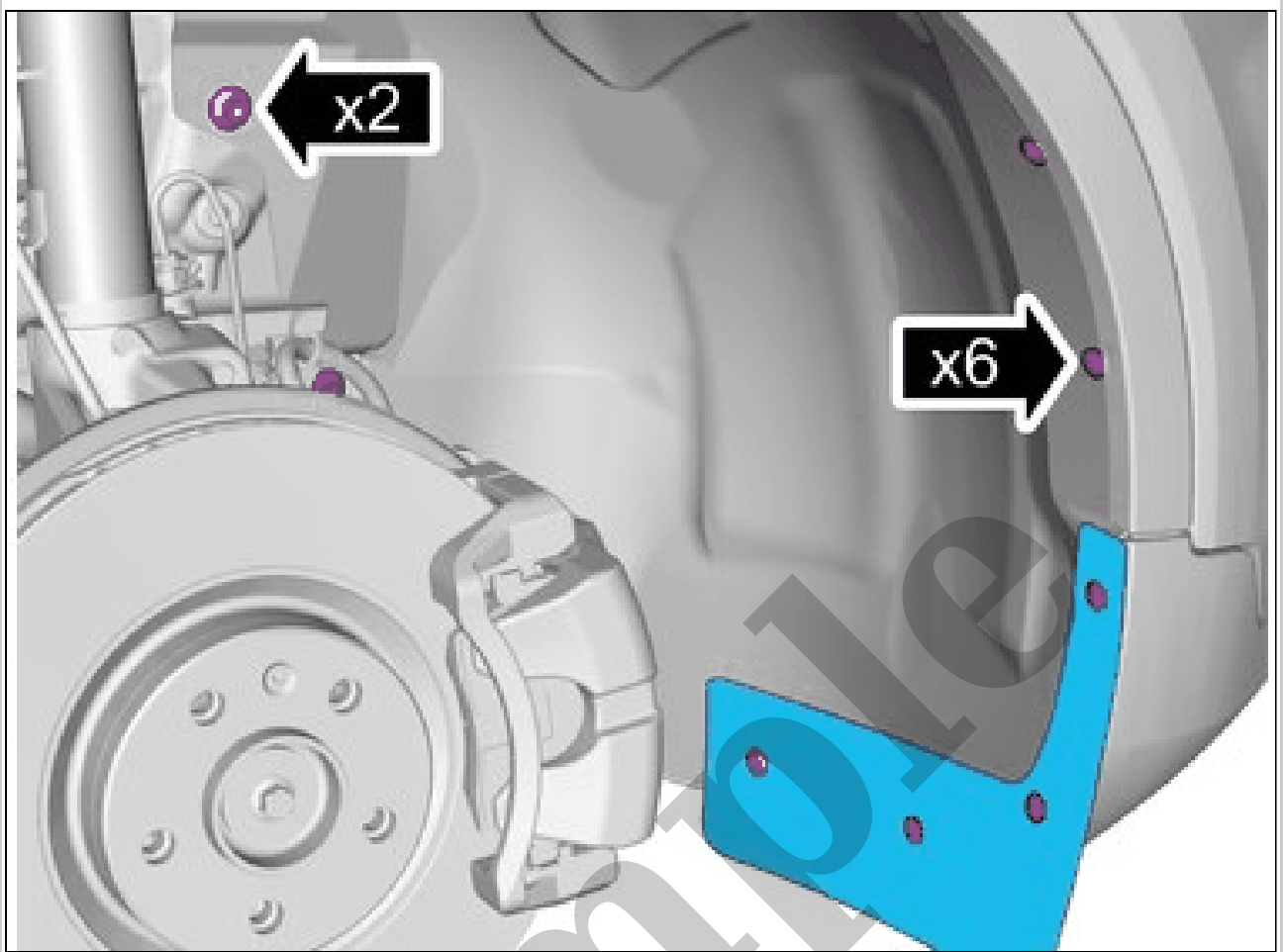


Courtesy of VOLVO CARS CORPORATION

Release the catches.

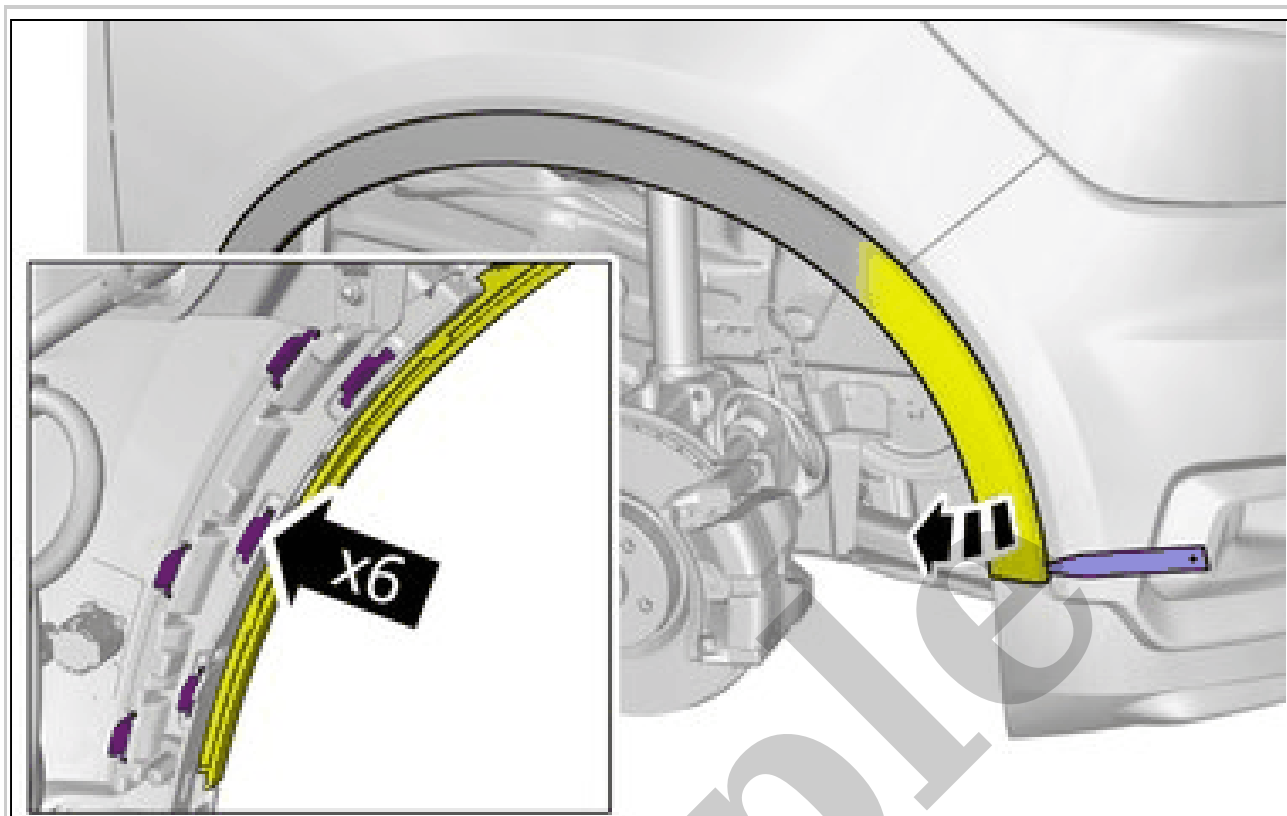
Remove the marked part.

APPLIES TO THE RIGHT-HAND SIDE



Courtesy of VOLVO CARS CORPORATION

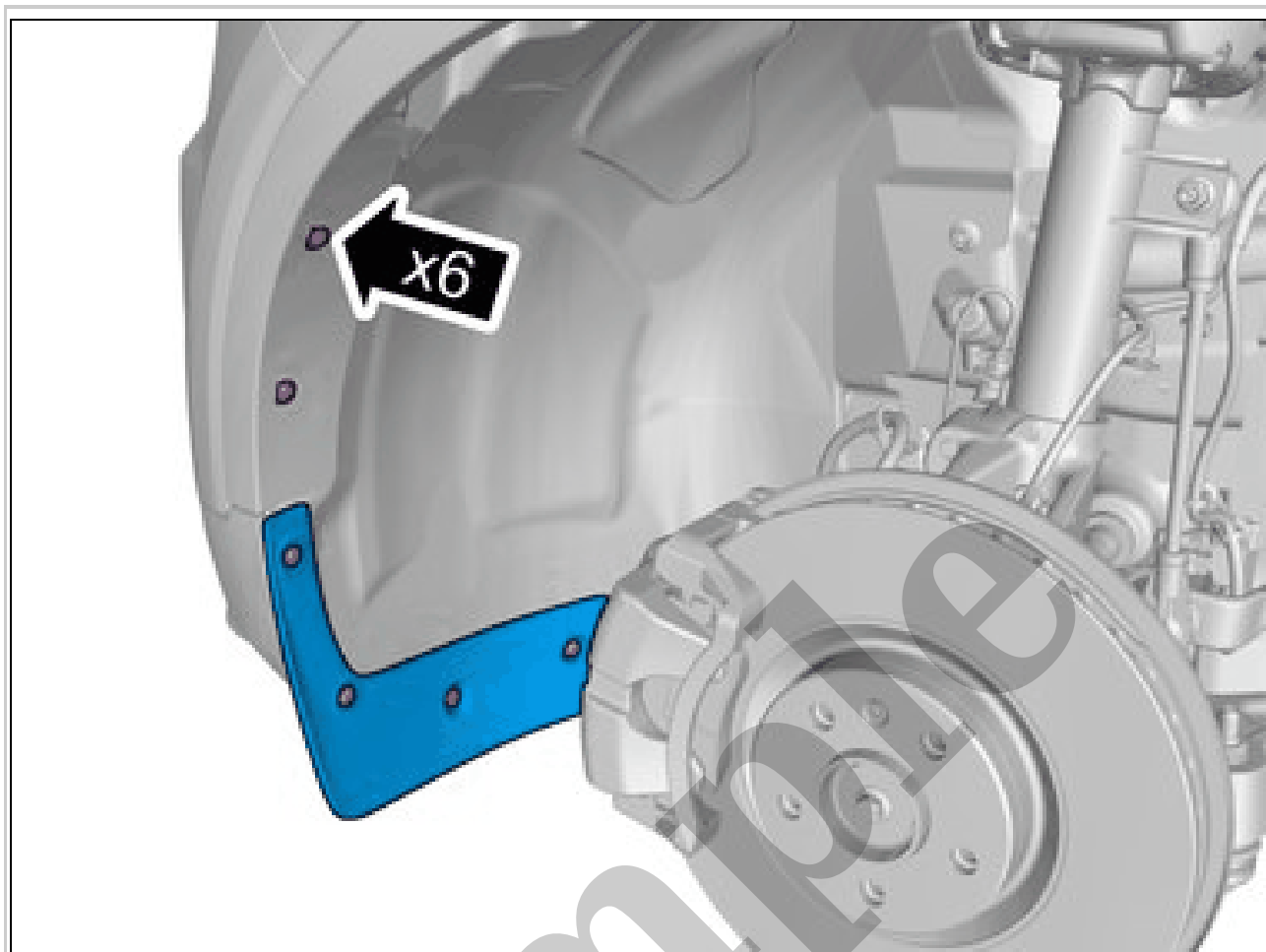
- Remove the screws.
- Remove the nuts.
- Remove the marked part.



Courtesy of VOLVO CARS CORPORATION

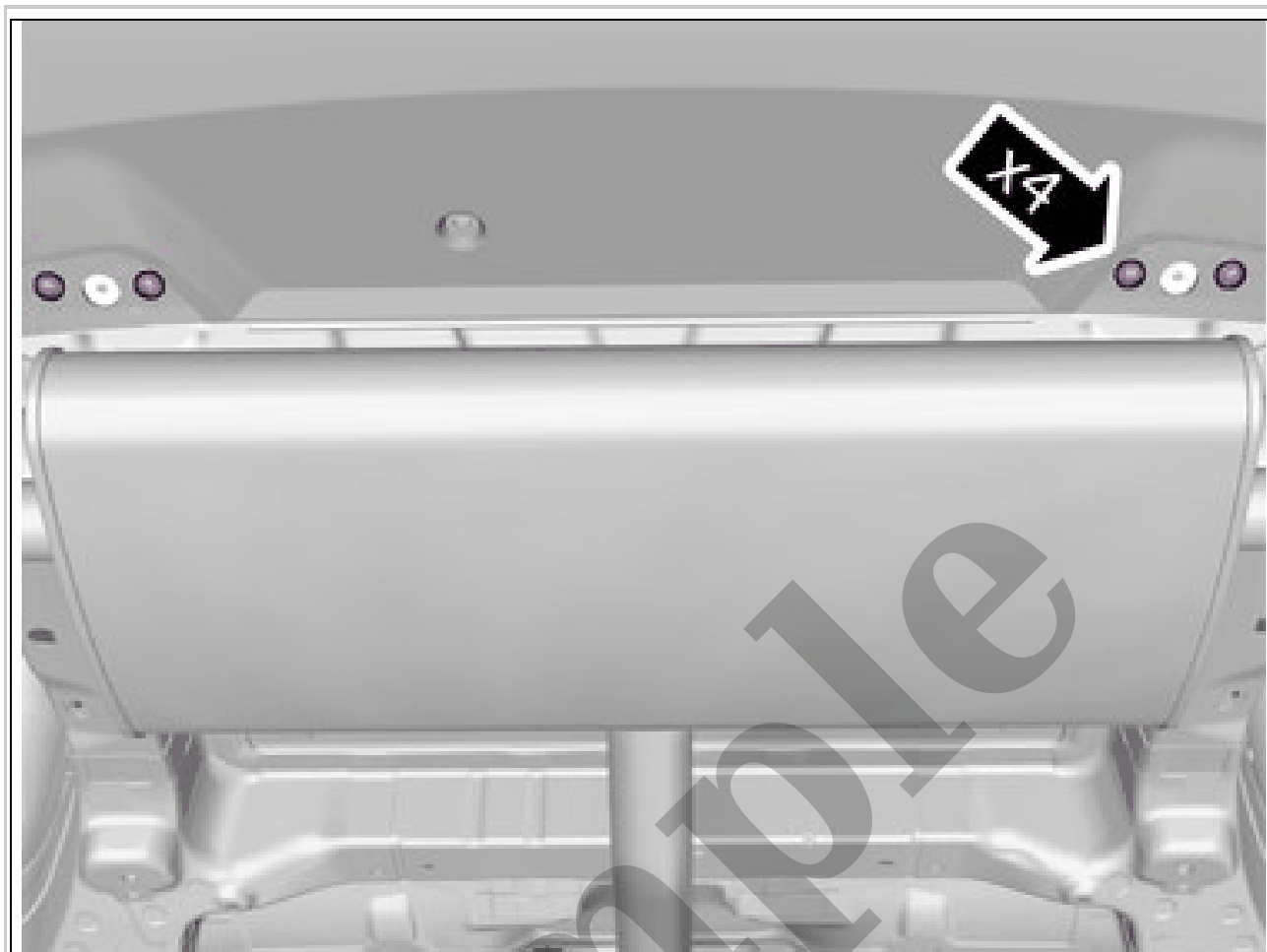
CAUTION: Make sure not to damage painted surfaces.

Loosen the component indicated. Do not remove it.
Use hands only.



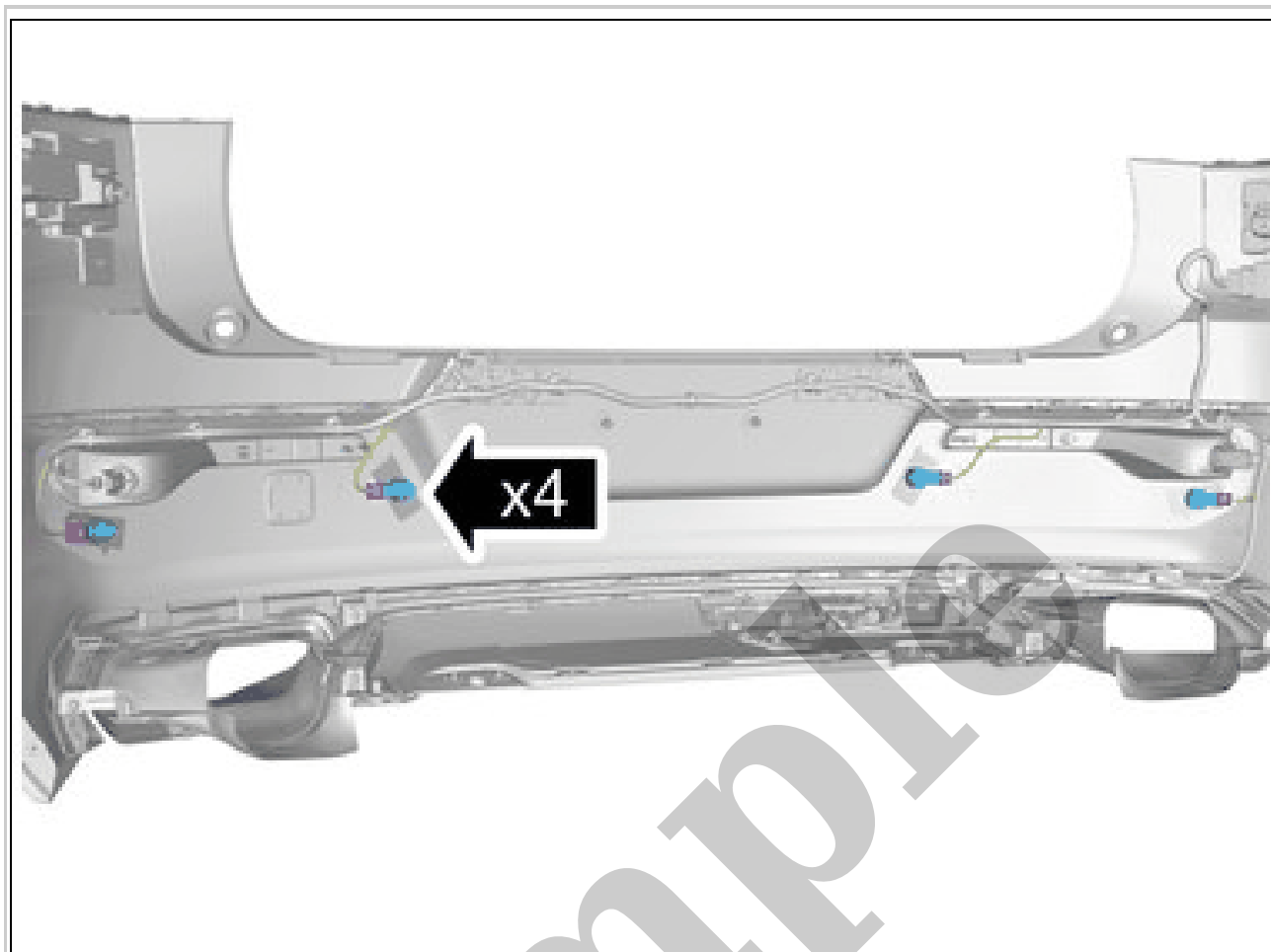
Courtesy of VOLVO CARS CORPORATION

Remove the screws.
Remove the marked part.



Courtesy of VOLVO CARS CORPORATION

Raise the car.
Remove the screws.



Courtesy of VOLVO CARS CORPORATION