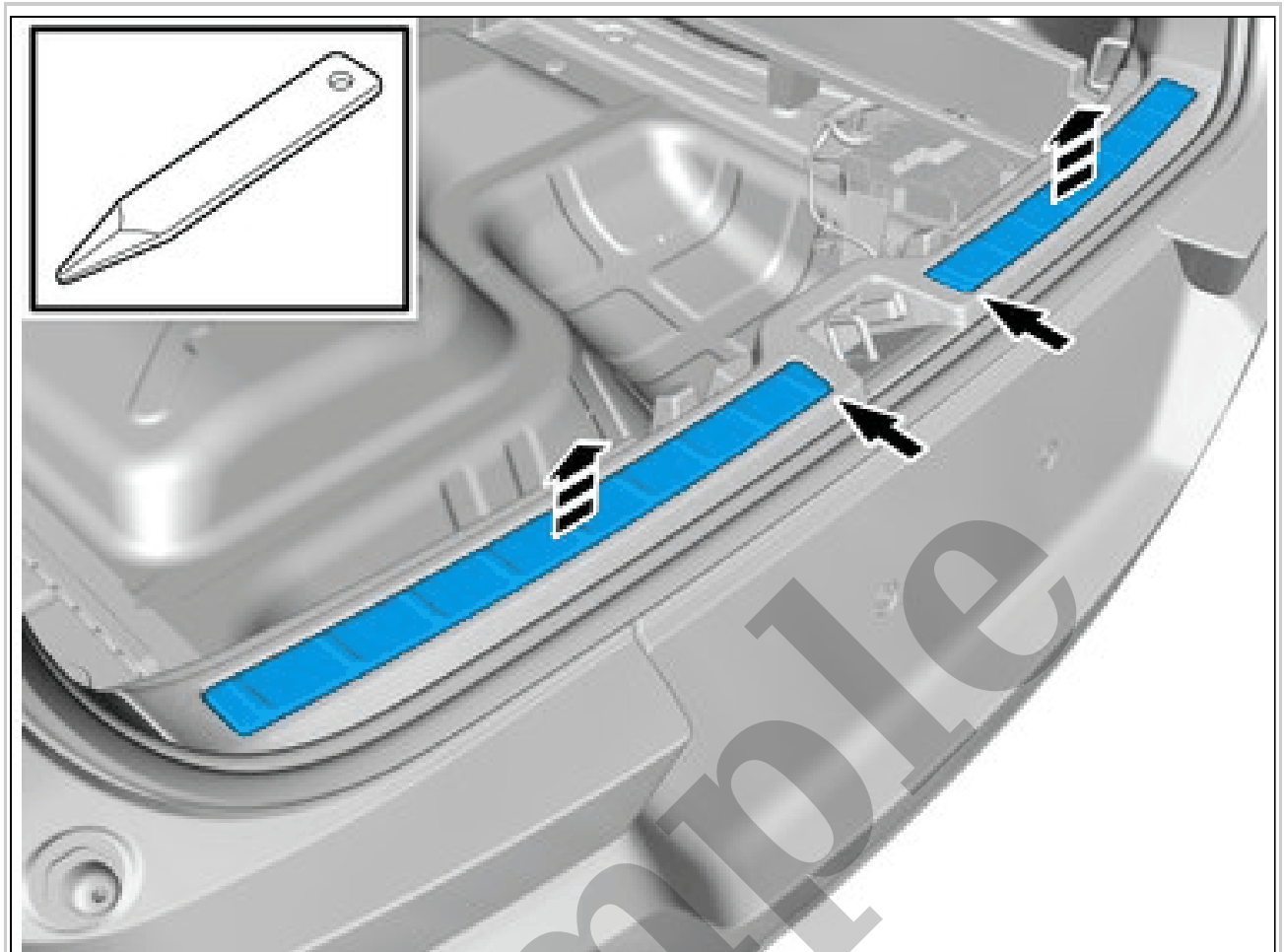


# Your Ultimate Source for OEM Repair Manuals

FactoryManuals.net is a great resource for anyone who wants to save money on repairs by doing their own work. The manuals provide detailed instructions and diagrams that make it easy to understand how to fix a vehicle.

## 1996 VOLVO V40 OEM Service and Repair Workshop Manual

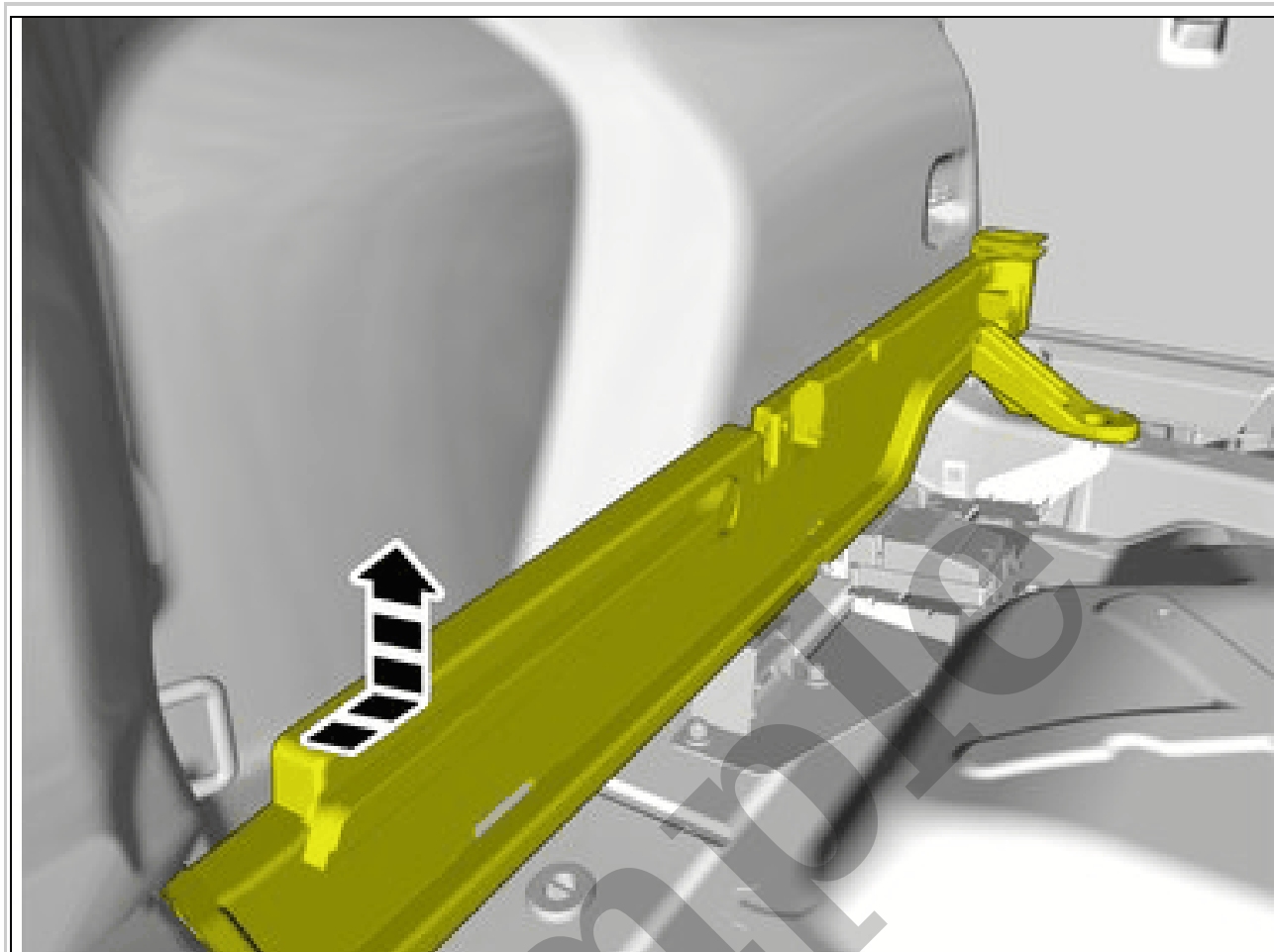
[Go to manual page](#)



Courtesy of VOLVO CARS CORPORATION

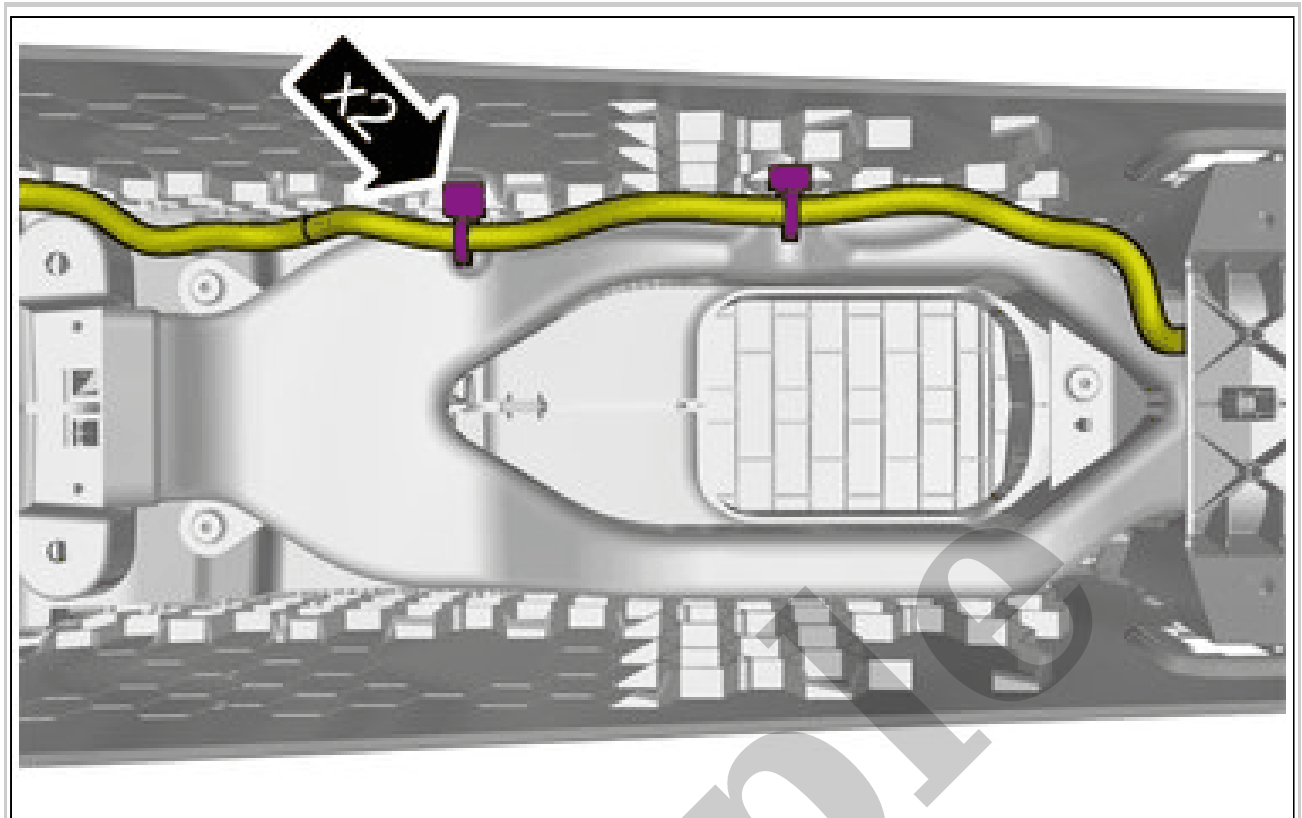
Remove the marked parts.

**Use:** Interior trim remover



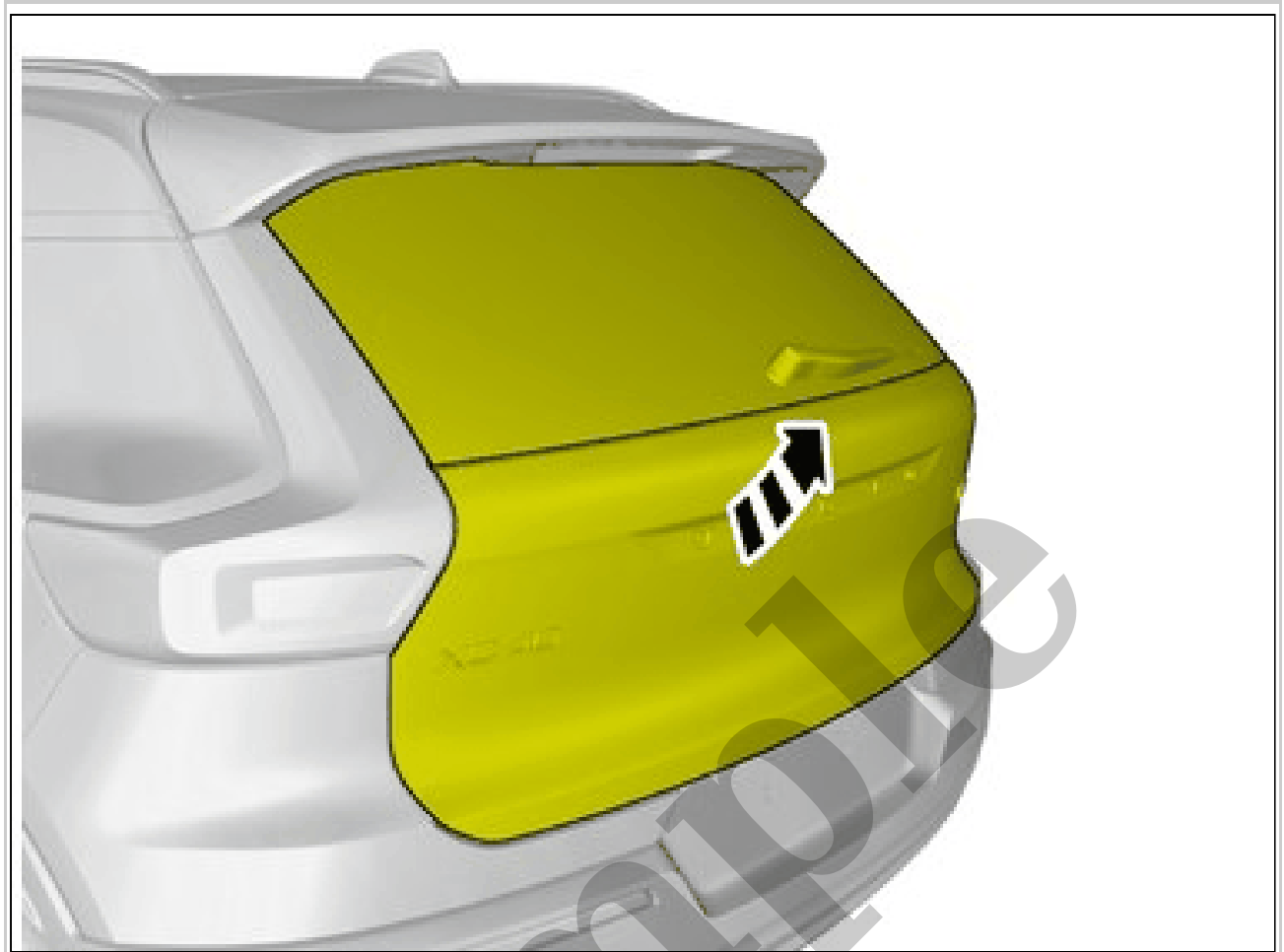
Courtesy of VOLVO CARS CORPORATION

Loosen the marked detail.  
Tilt the component somewhat.



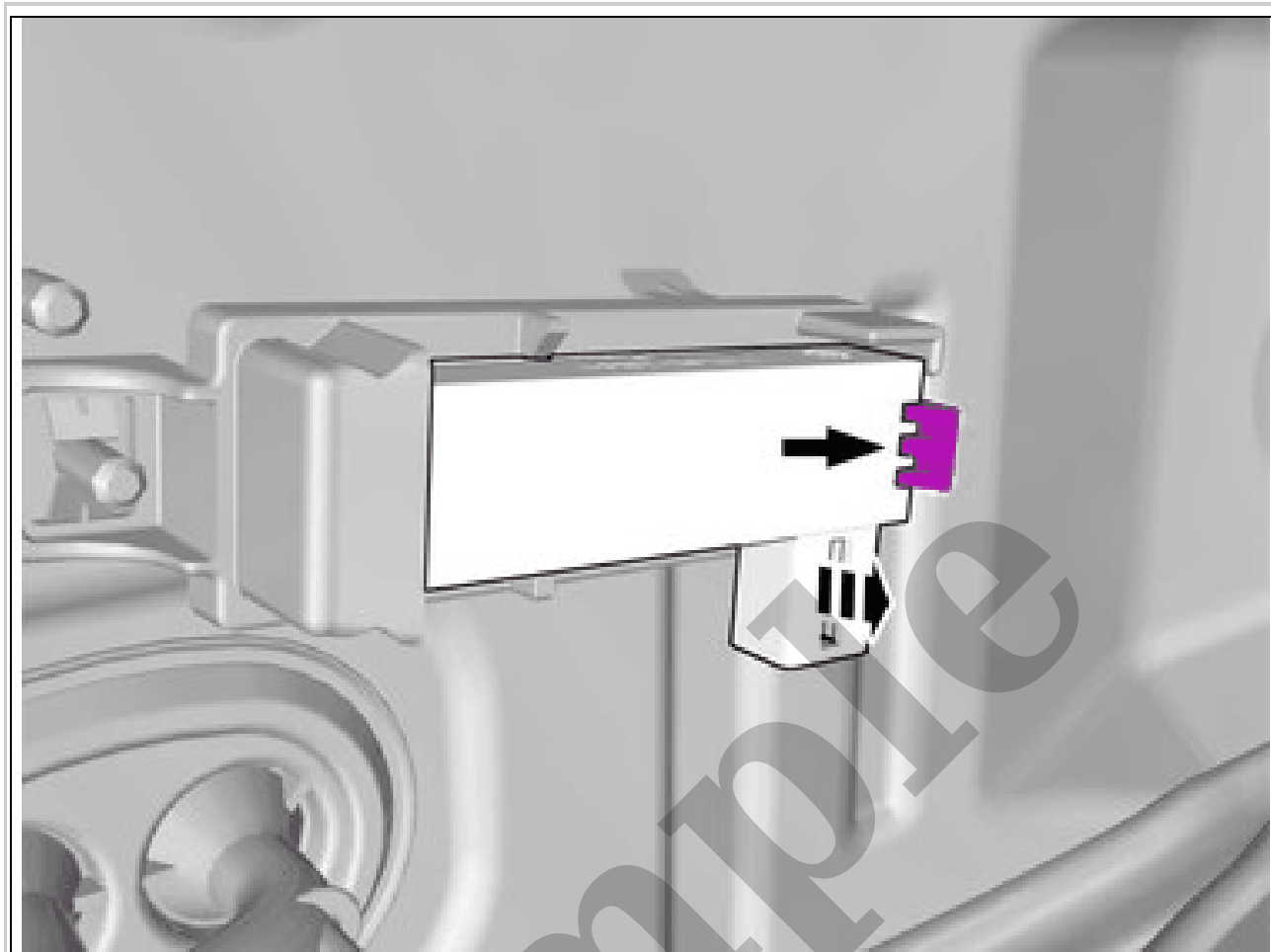
Courtesy of VOLVO CARS CORPORATION

Remove the cable harness clips.



Courtesy of VOLVO CARS CORPORATION

Sample



Courtesy of VOLVO CARS CORPORATION

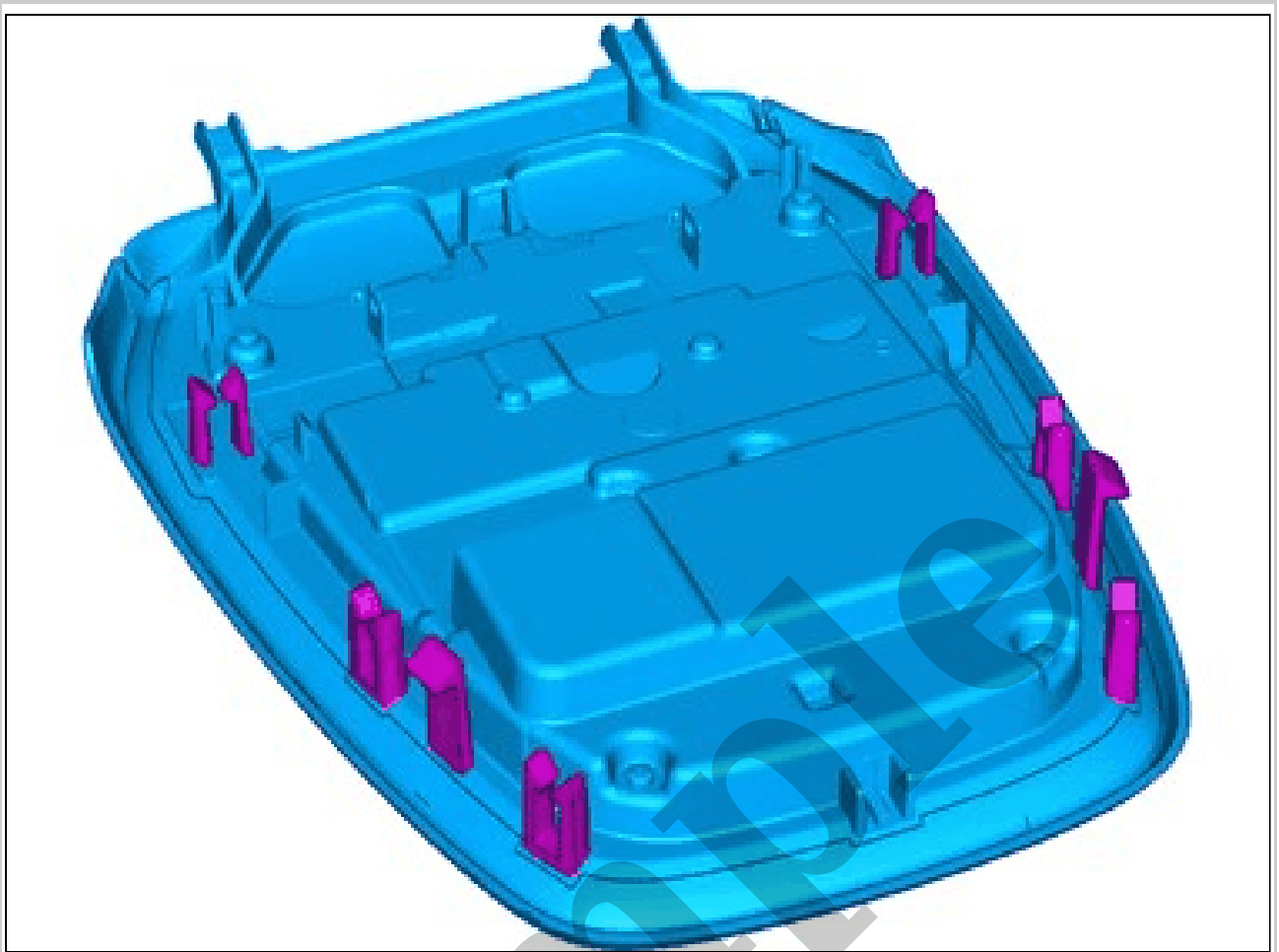
Release the lock.  
Remove the marked part.

### **ANTENNA, KEYLESS VEHICLE, REAR > ANTENNA, KEYLESS VEHICLE, REAR [2018-2022] > INSTALLATION**

To install, reverse the removal procedure.

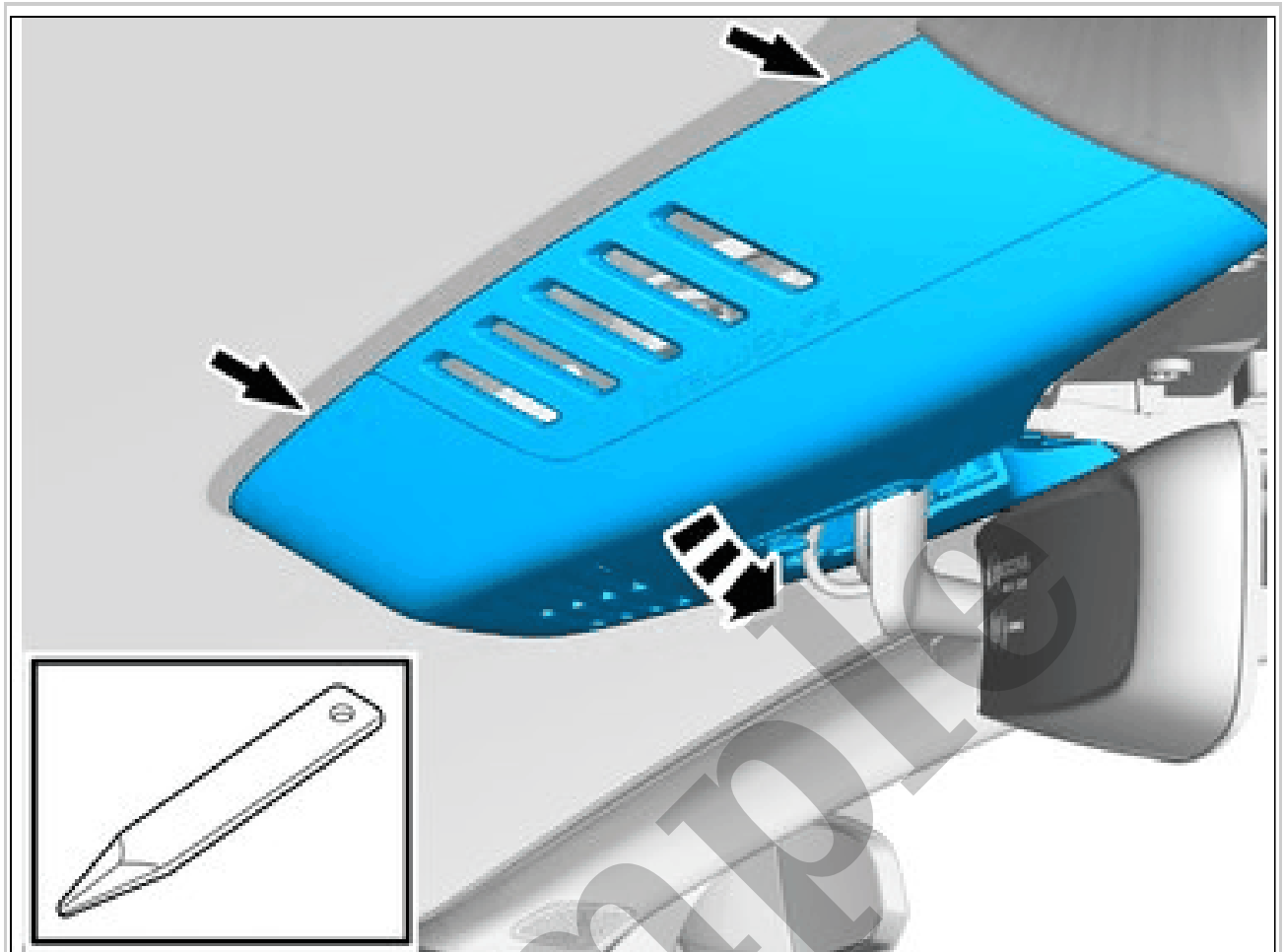
### **ANTENNA, KEYLESS VEHICLE, REAR DOOR > ANTENNA, KEYLESS VEHICLE, REAR DOOR [2018-2022] > REMOVAL**

Set the vehicle to Inactive mode, described in user mode. Refer to: USAGE MODE  
Remove panel side door rear. Refer to: PANEL REAR DOOR



Courtesy of VOLVO CARS CORPORATION

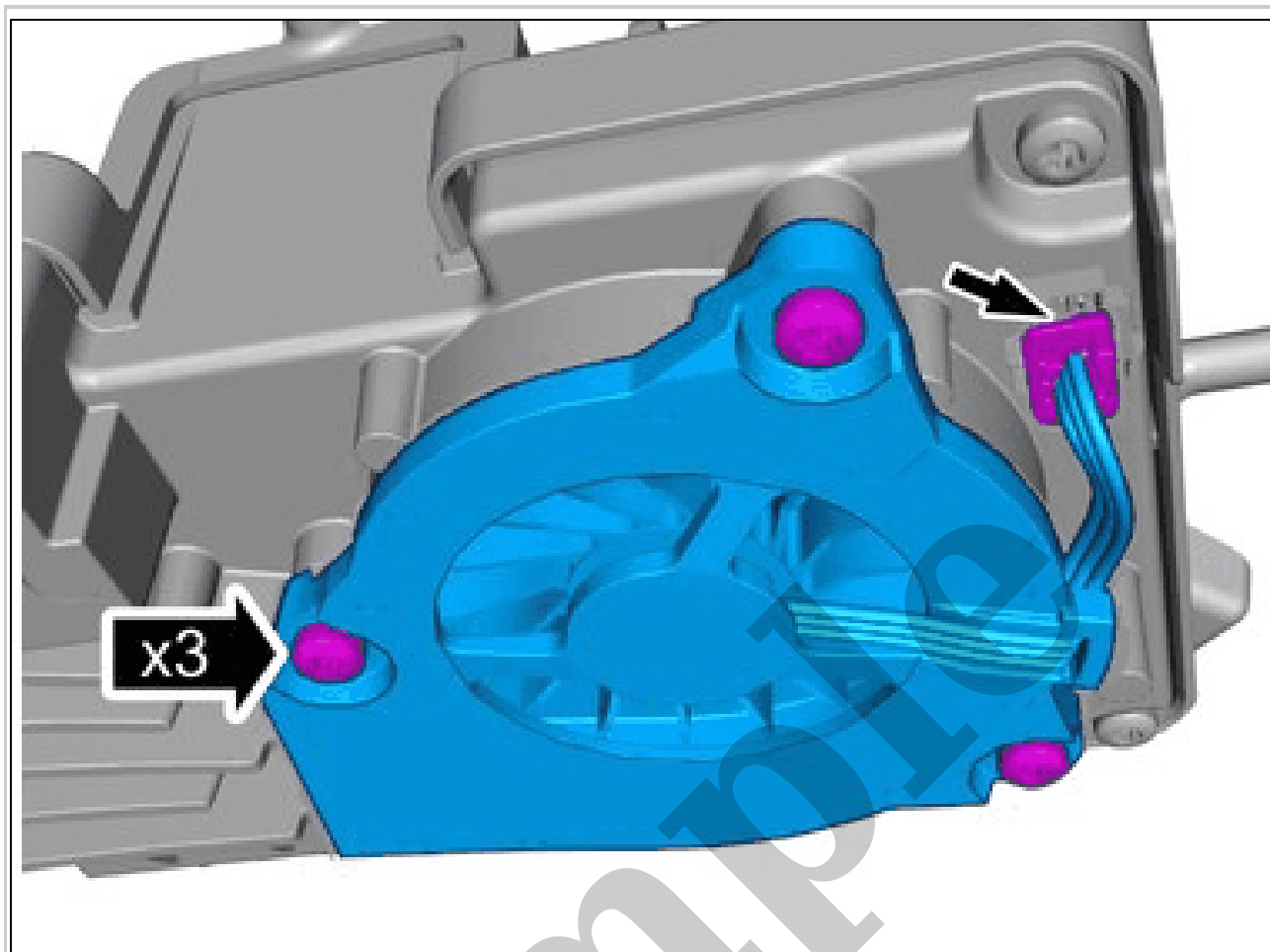
**NOTE:** *The graphic shows the back of the component before removal.*



Courtesy of VOLVO CARS CORPORATION

Release the catches.  
Repeat on the other side.  
Remove the marked part.  
**Use:** Interior trim remover





Courtesy of VOLVO CARS CORPORATION

Disconnect the connector.  
Remove the screws.  
Remove the marked part.

**COOLING FAN, FORWARD LOOKING CAMERA > COOLING FAN, FORWARD  
LOOKING CAMERA (FLC) [2022 | 2021, E400V6] > INSTALLATION**



Courtesy of VOLVO CARS CORPORATION

Remove the marked part.