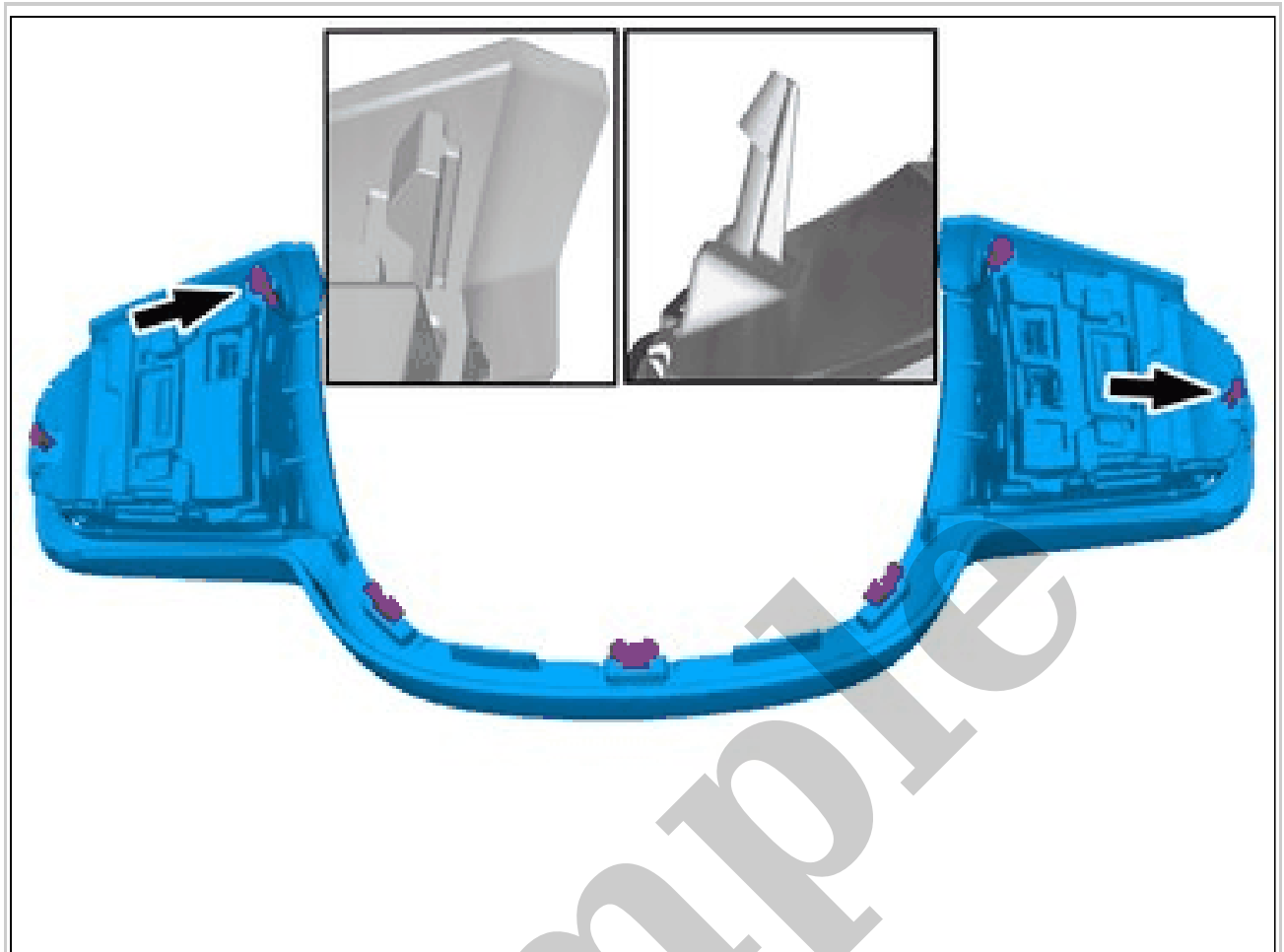


Your Ultimate Source for OEM Repair Manuals

FactoryManuals.net is a great resource for anyone who wants to save money on repairs by doing their own work. The manuals provide detailed instructions and diagrams that make it easy to understand how to fix a vehicle.

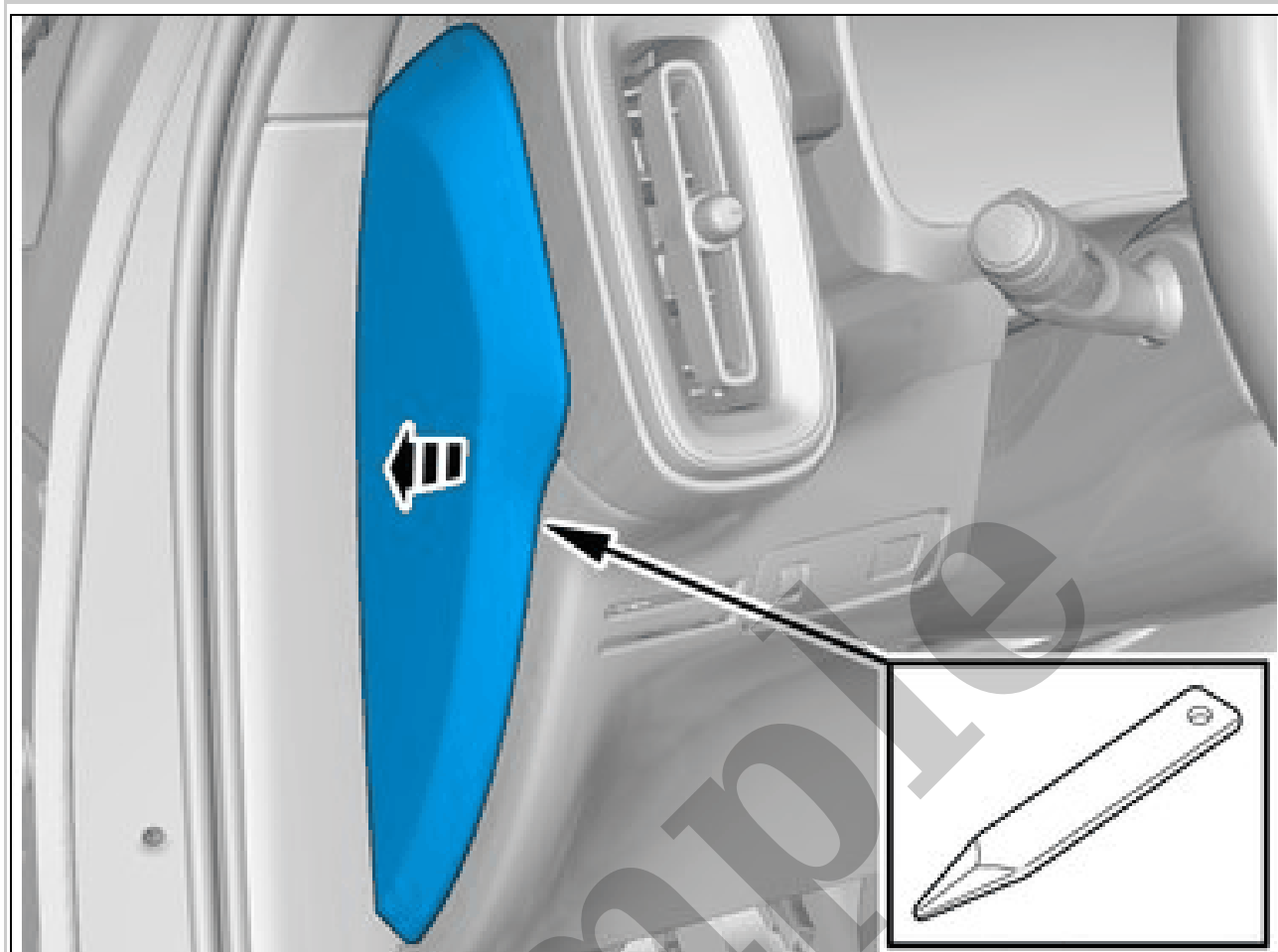
1996 VOLVO S40 OEM Service and Repair Workshop Manual

[Go to manual page](#)

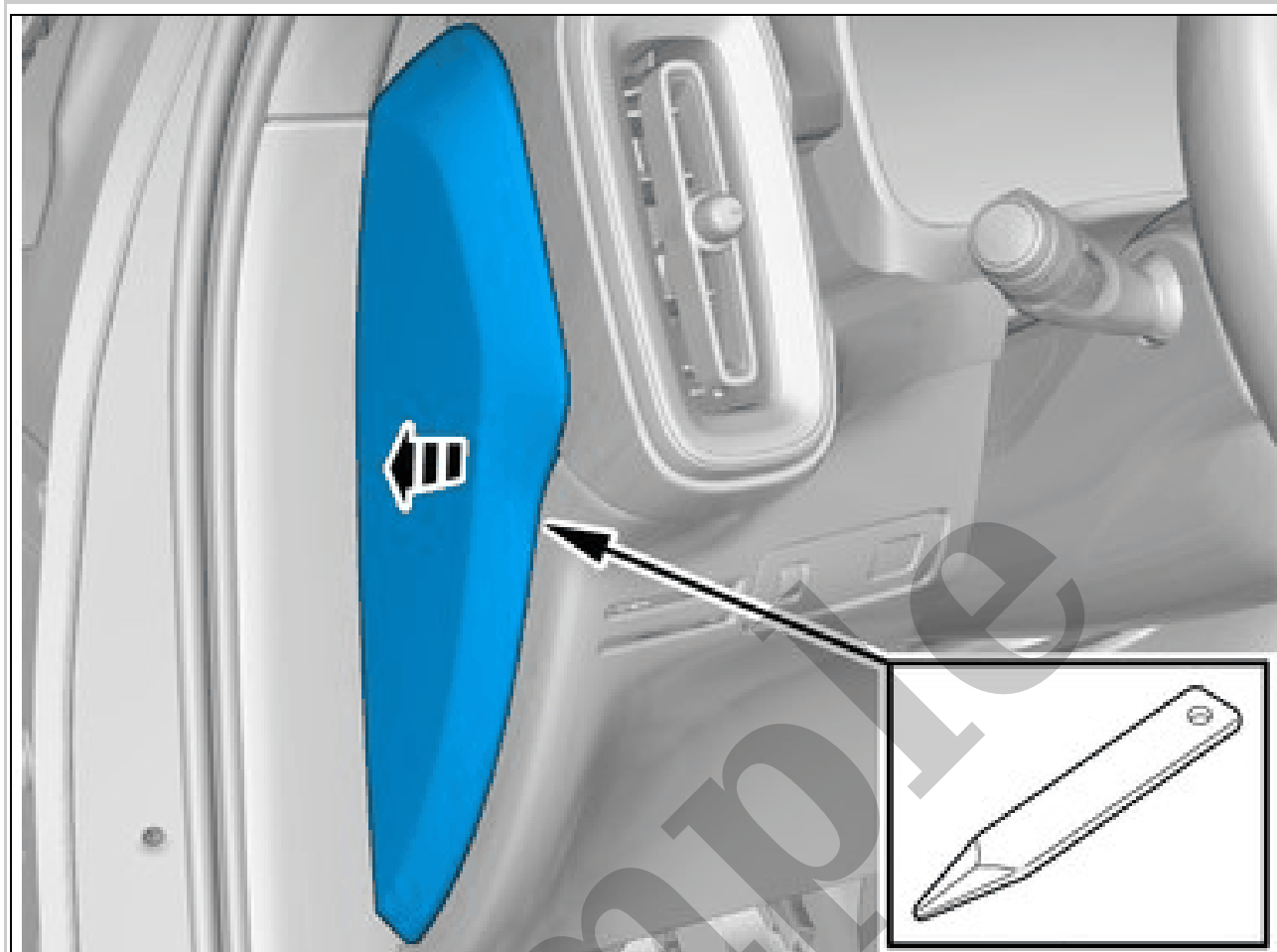


Courtesy of VOLVO CARS CORPORATION

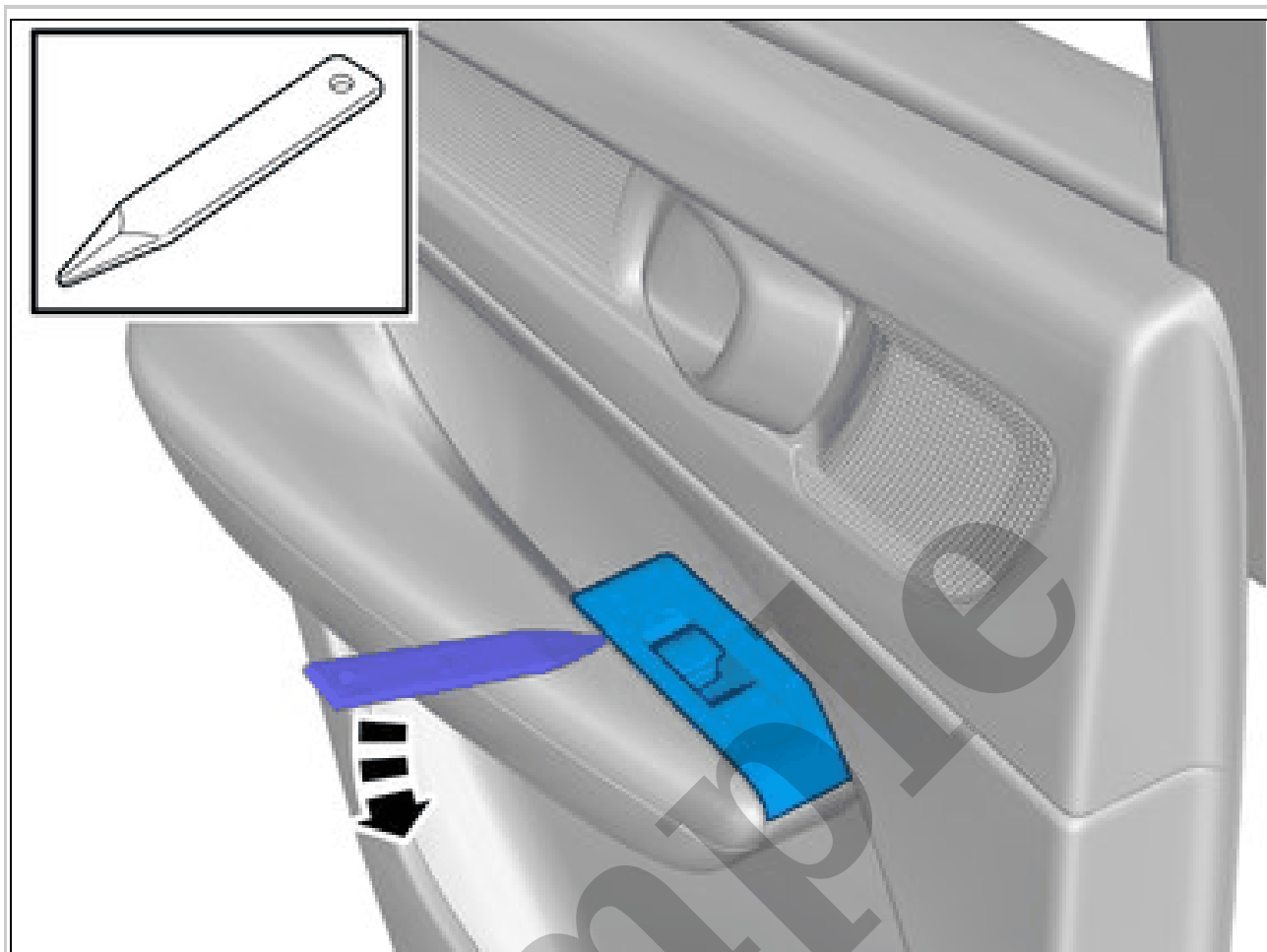
NOTE: *The graphic shows the back of the component before removal.*



Courtesy of VOLVO CARS CORPORATION

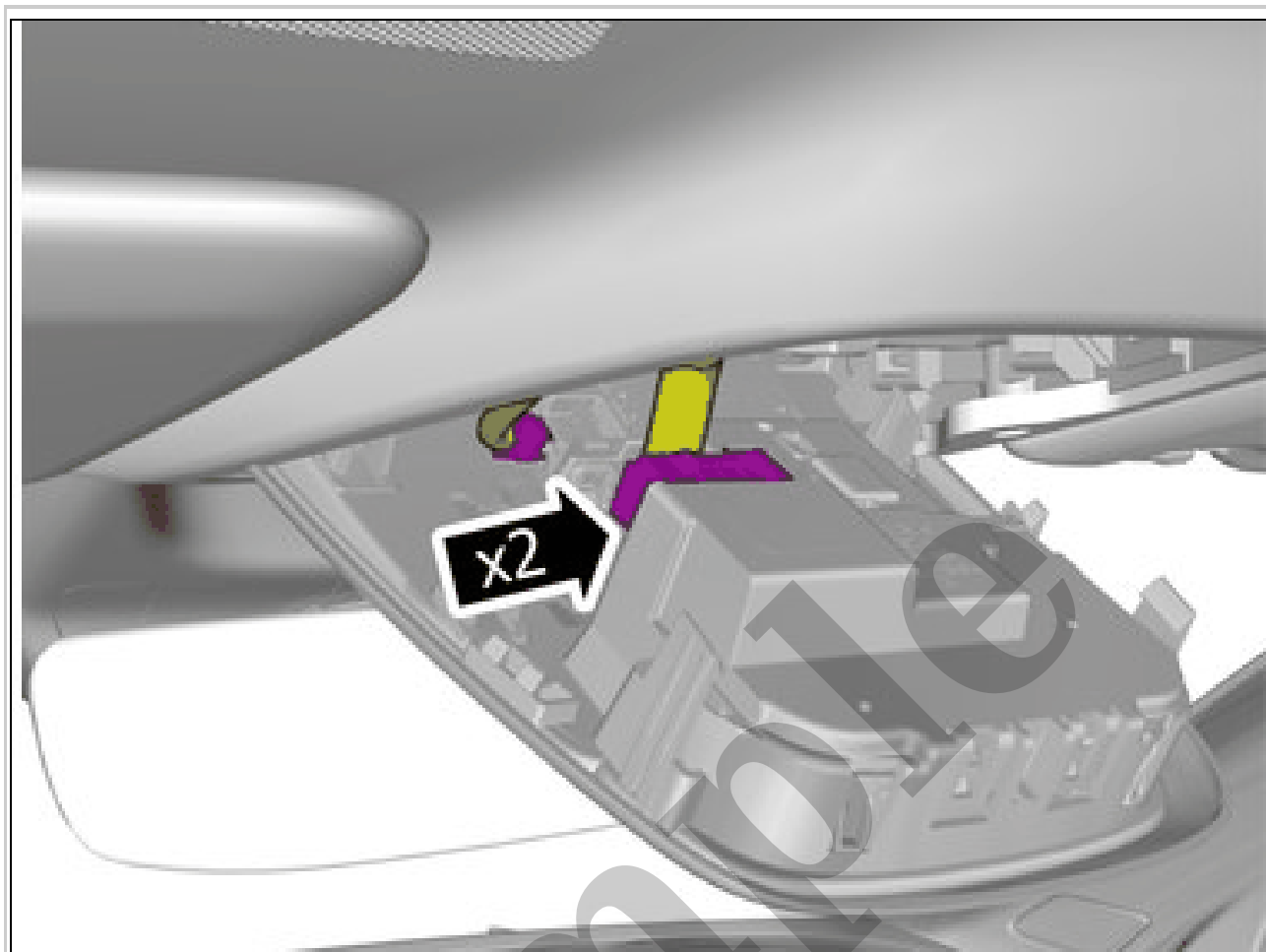


Courtesy of VOLVO CARS CORPORATION



Courtesy of VOLVO CARS CORPORATION

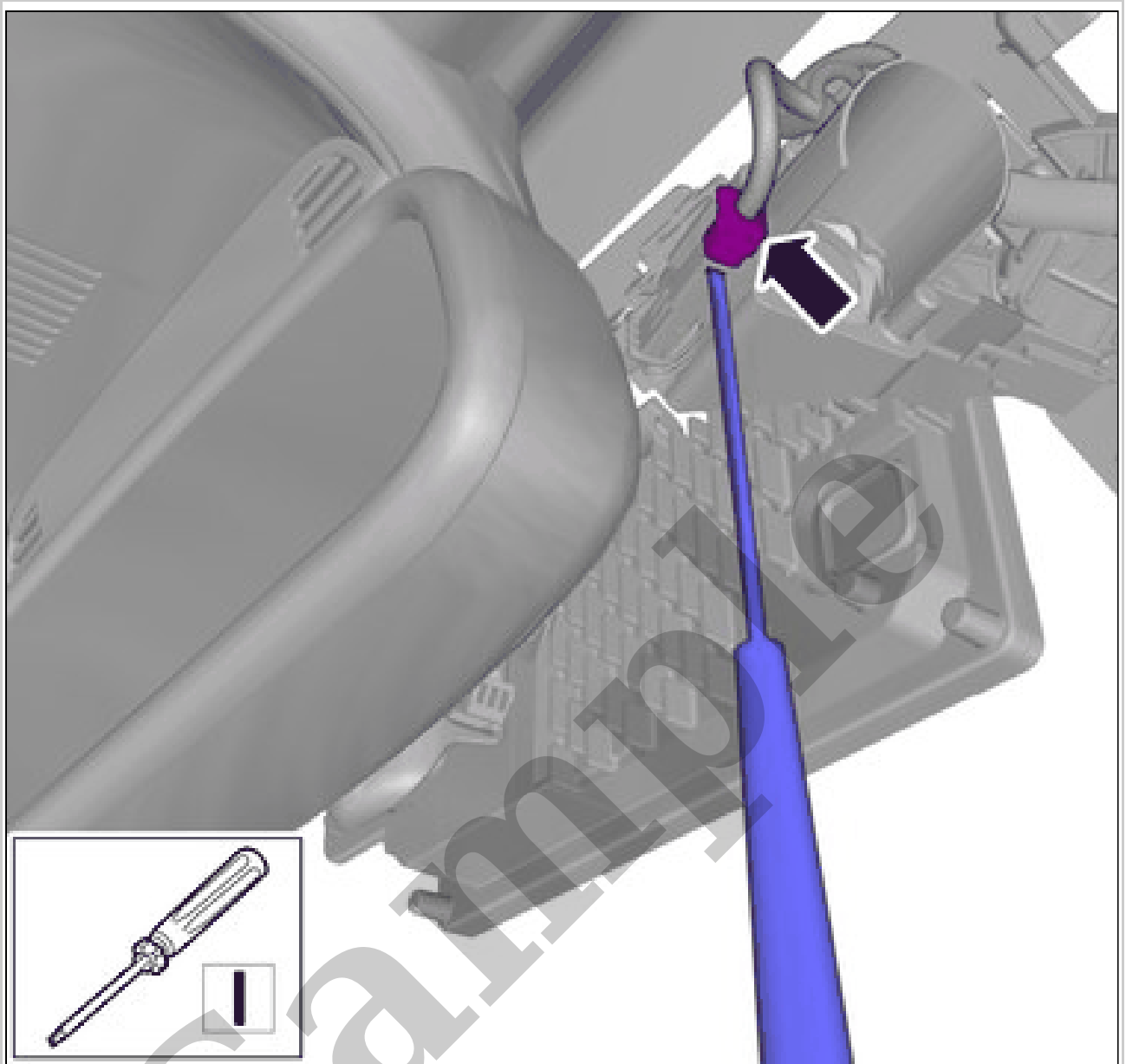
Remove the marked part.



Courtesy of VOLVO CARS CORPORATION

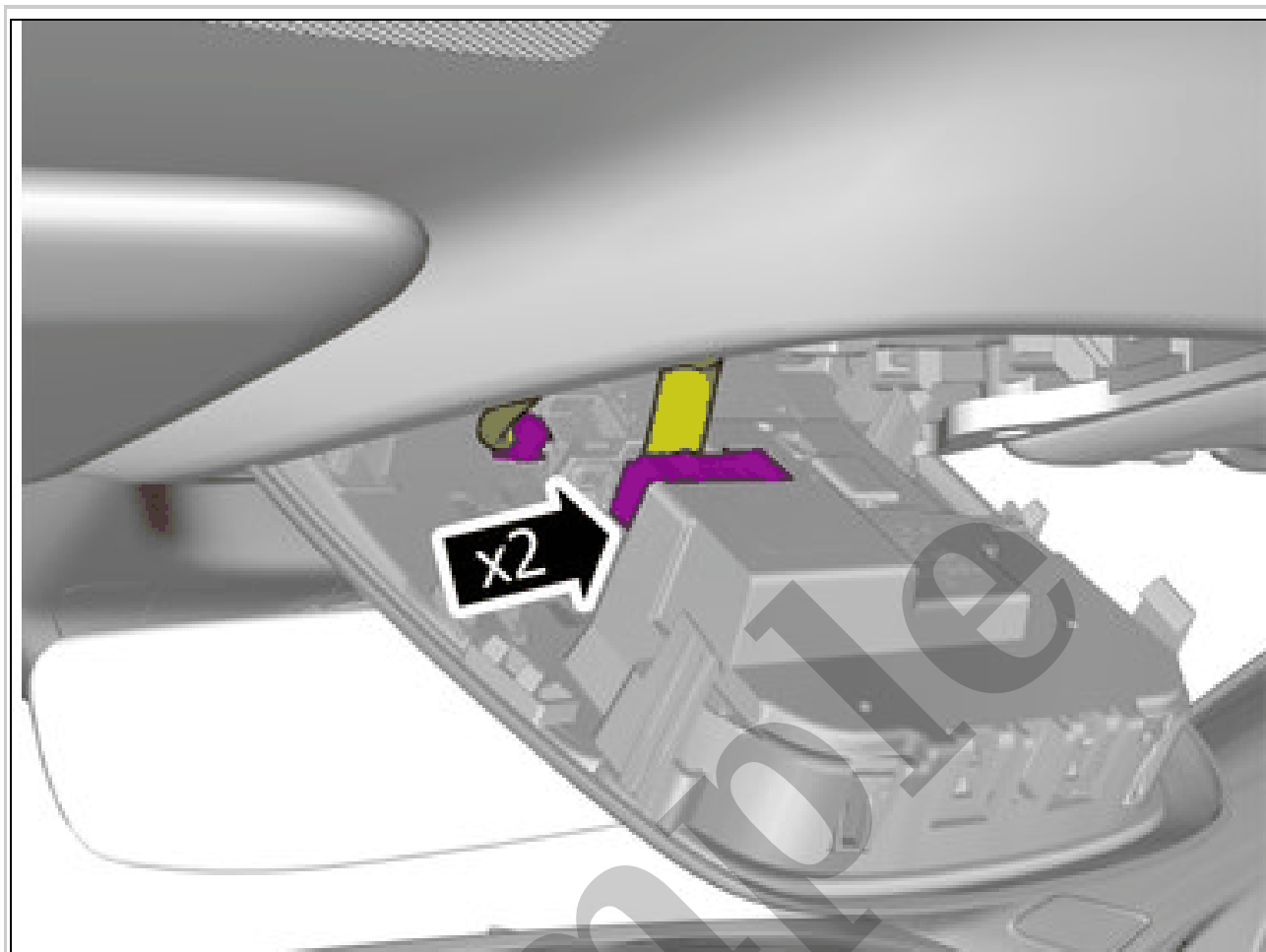
NOTE: *The number of connectors may vary depending on the vehicle's equipment level.*

Disconnect the connectors.



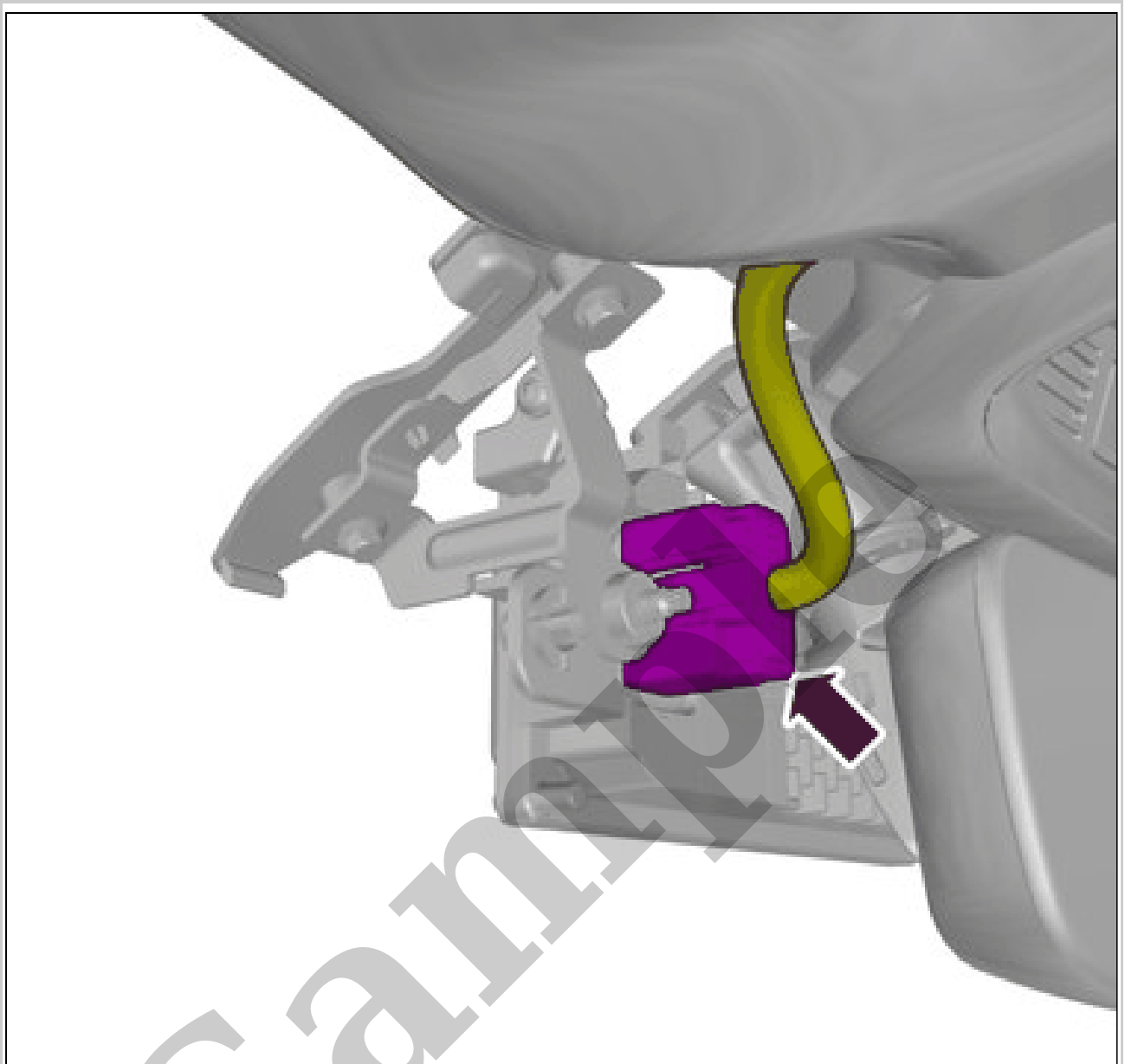
Courtesy of VOLVO CARS CORPORATION

Disconnect the connector.
Fold marked part aside.



Courtesy of VOLVO CARS CORPORATION

Disconnect the connectors.



Courtesy of VOLVO CARS CORPORATION

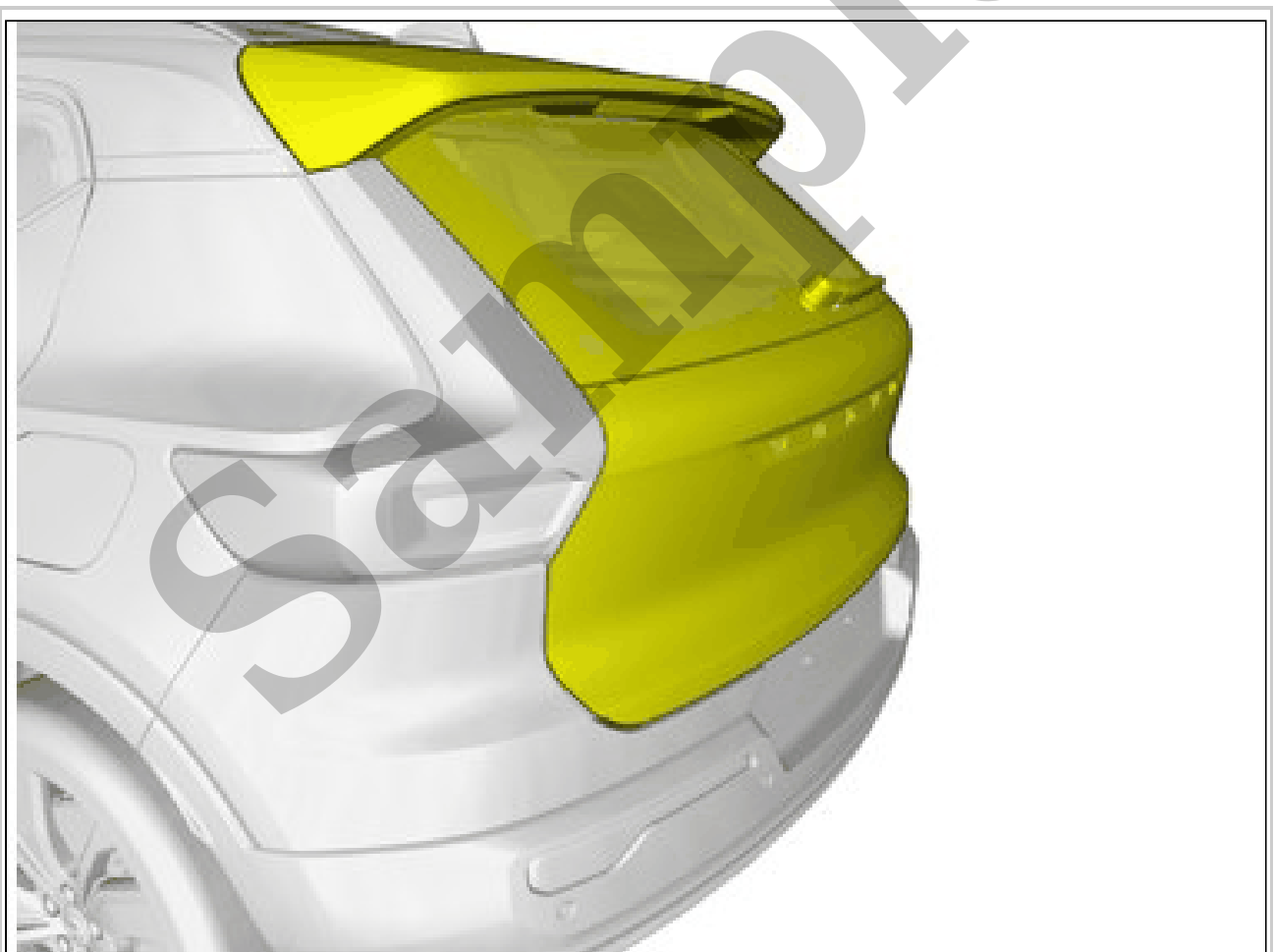
Disconnect the connector.

NOTE: The following steps are only necessary when installing a new component.

Order and download the appropriate software according to: VIDA/Software/Hardware Changes
Calibrate ASDM according to: Diagnostics / Components / Control modules /Active Safety Domain Master (ASDM) / Diagnostic sequences / ASDM radar and camera calibration

ACTIVE SAFETY DOMAIN MASTER > ACTIVE SAFETY DOMAIN MASTER (ASDM) [2021-2022, E400V6] > REMOVAL

NOTE: Removal steps in this procedure may contain installation details.



Courtesy of VOLVO CARS CORPORATION

Open the tailgate.