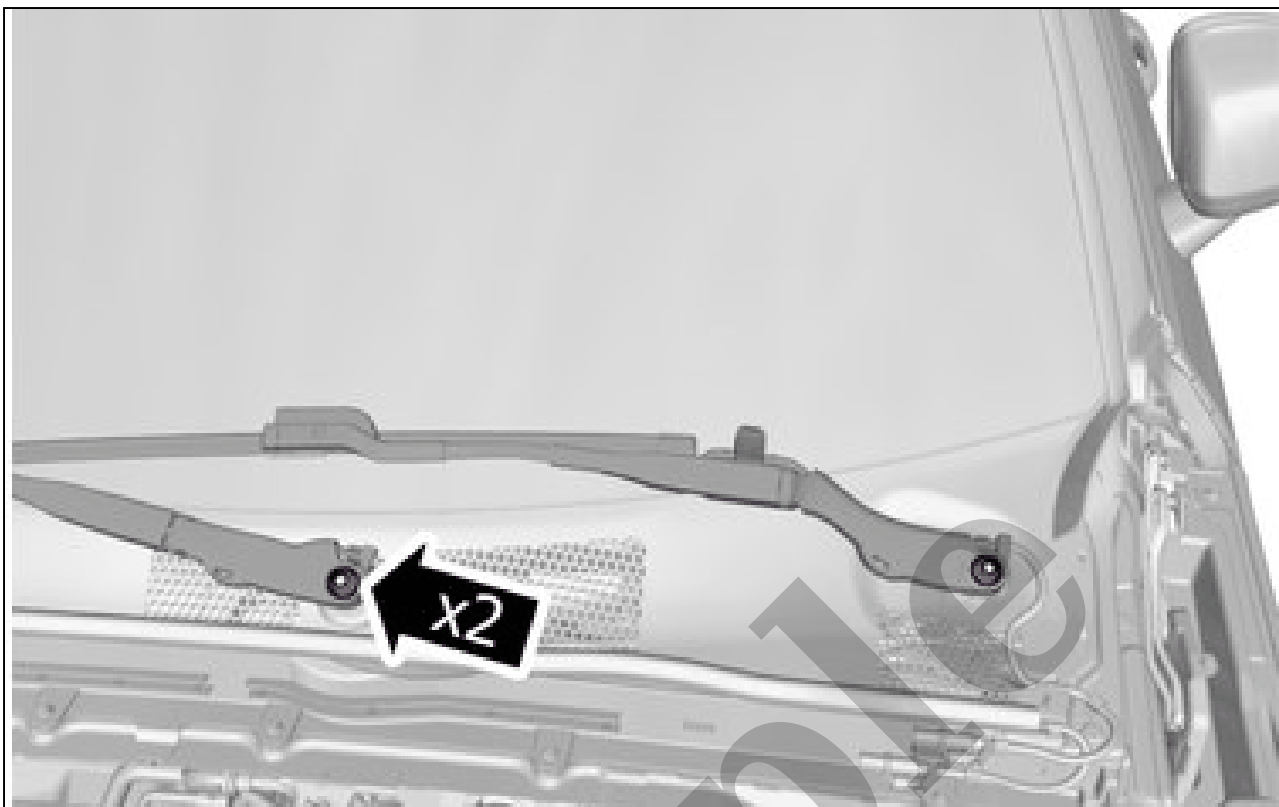


Your Ultimate Source for OEM Repair Manuals

FactoryManuals.net is a great resource for anyone who wants to save money on repairs by doing their own work. The manuals provide detailed instructions and diagrams that make it easy to understand how to fix a vehicle.

1996 VOLVO 960 OEM Service and Repair Workshop Manual

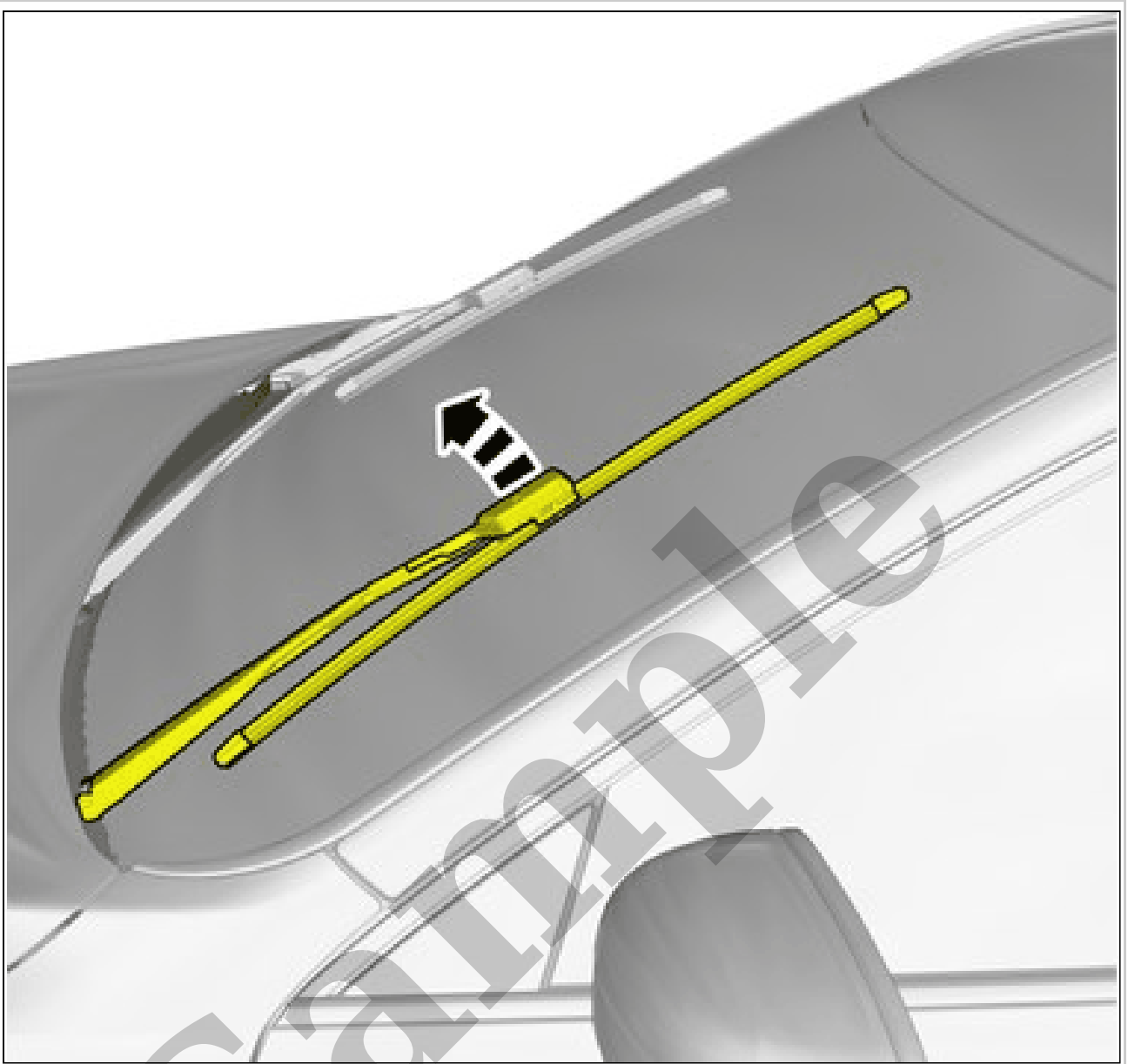
[Go to manual page](#)



Courtesy of VOLVO CARS CORPORATION

Remove the nuts.

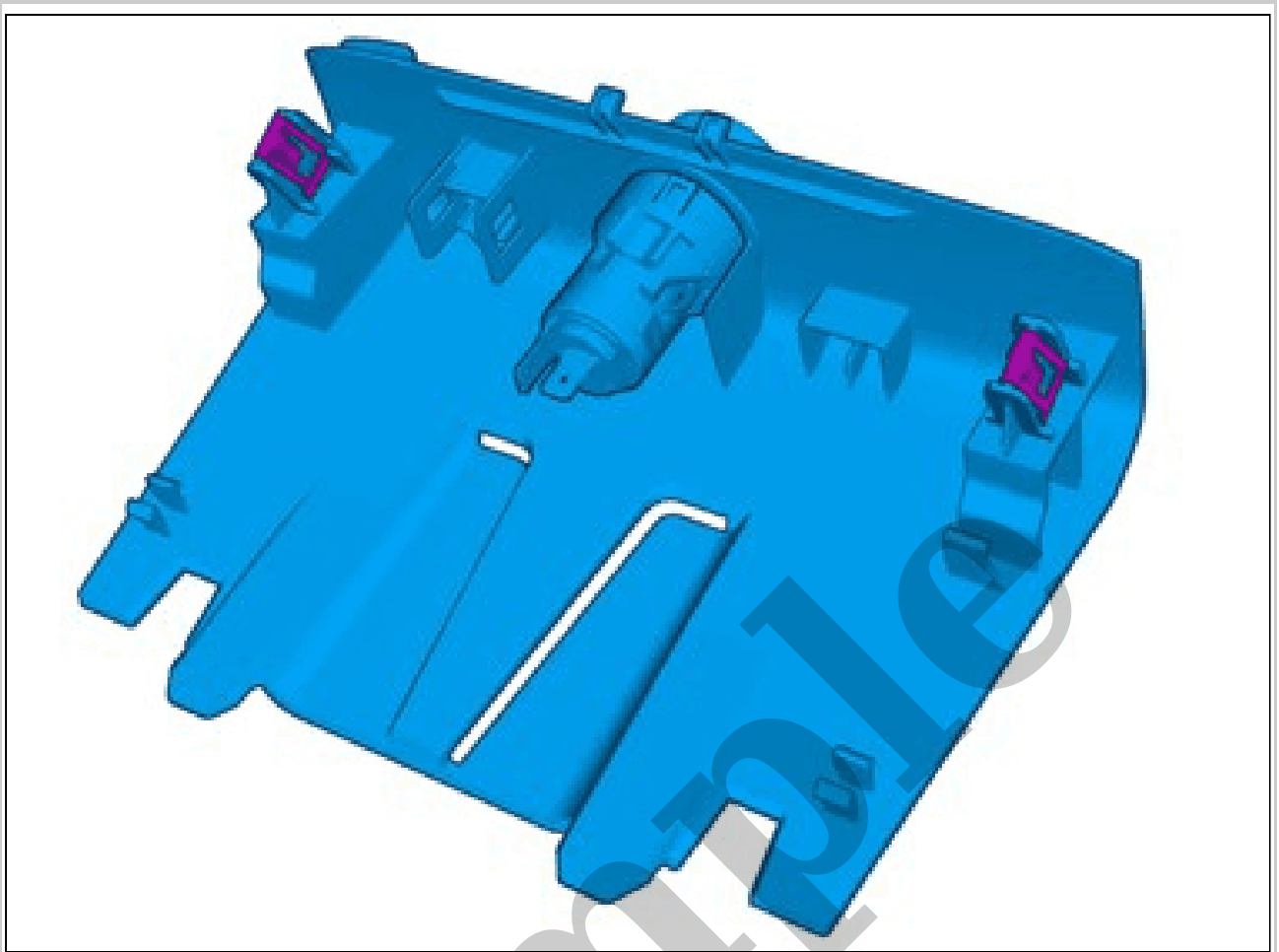
Torque: Windshield wiper arm, 28Nm



Courtesy of VOLVO CARS CORPORATION



Courtesy of VOLVO CARS CORPORATION



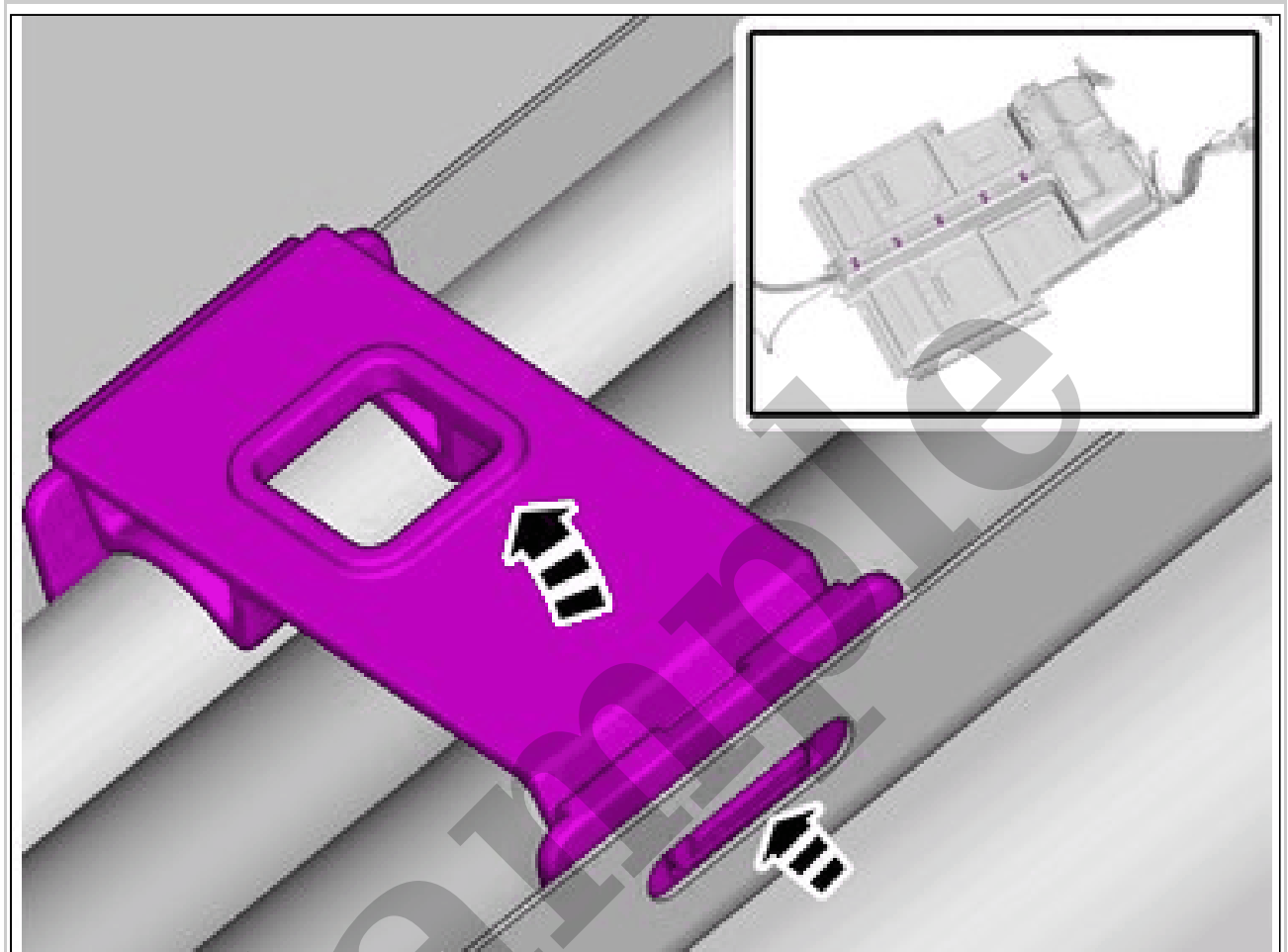
Courtesy of VOLVO CARS CORPORATION

NOTE: *The graphic shows the back of the component before removal.*

CHARGE CONNECTOR > CHARGE CONNECTOR [2021-2022, E400V6] > REMOVAL AND INSTALLATION

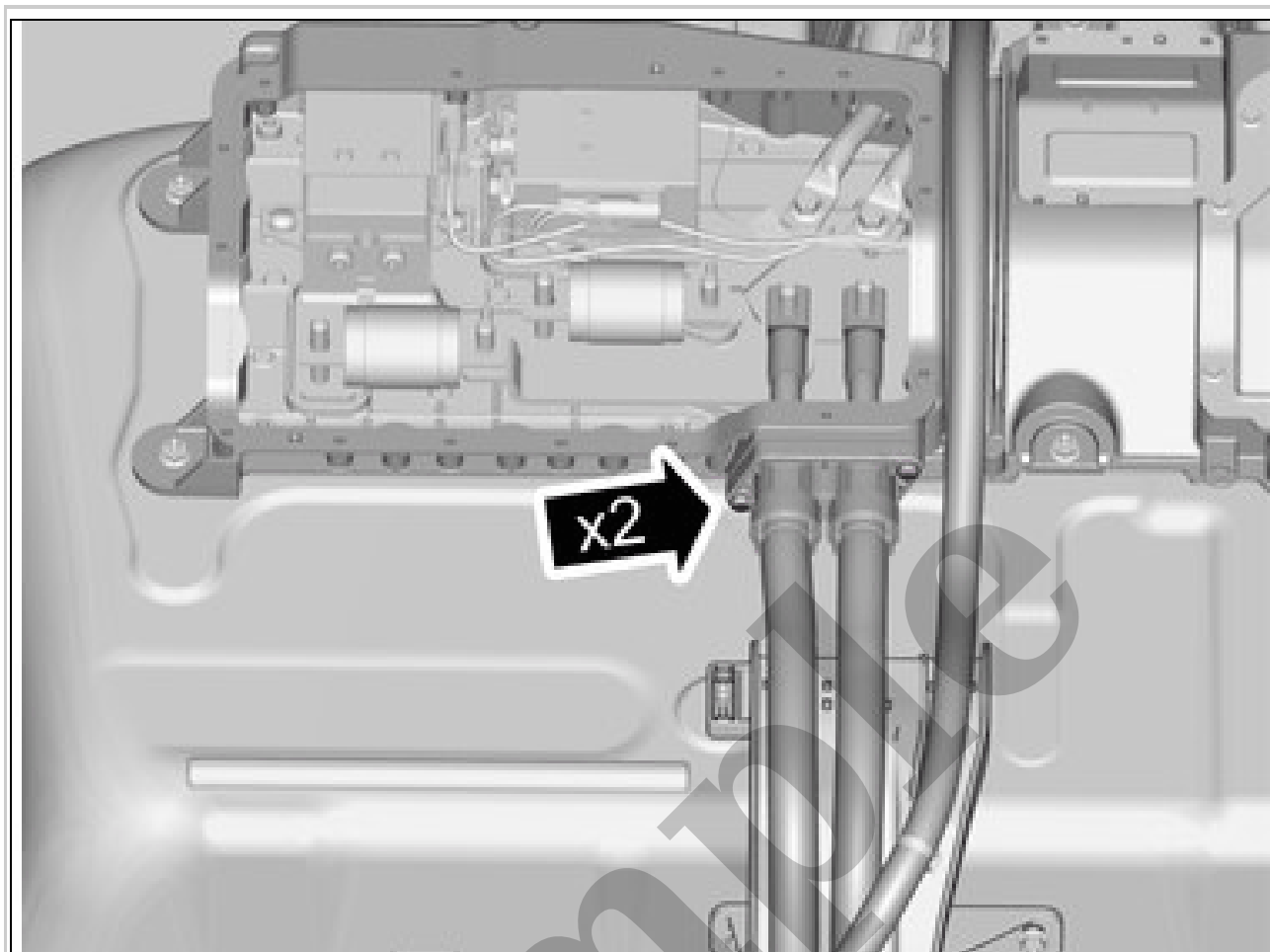
REMOVAL

Remove the high voltage battery. Refer to: HIGH VOLTAGE BATTERY



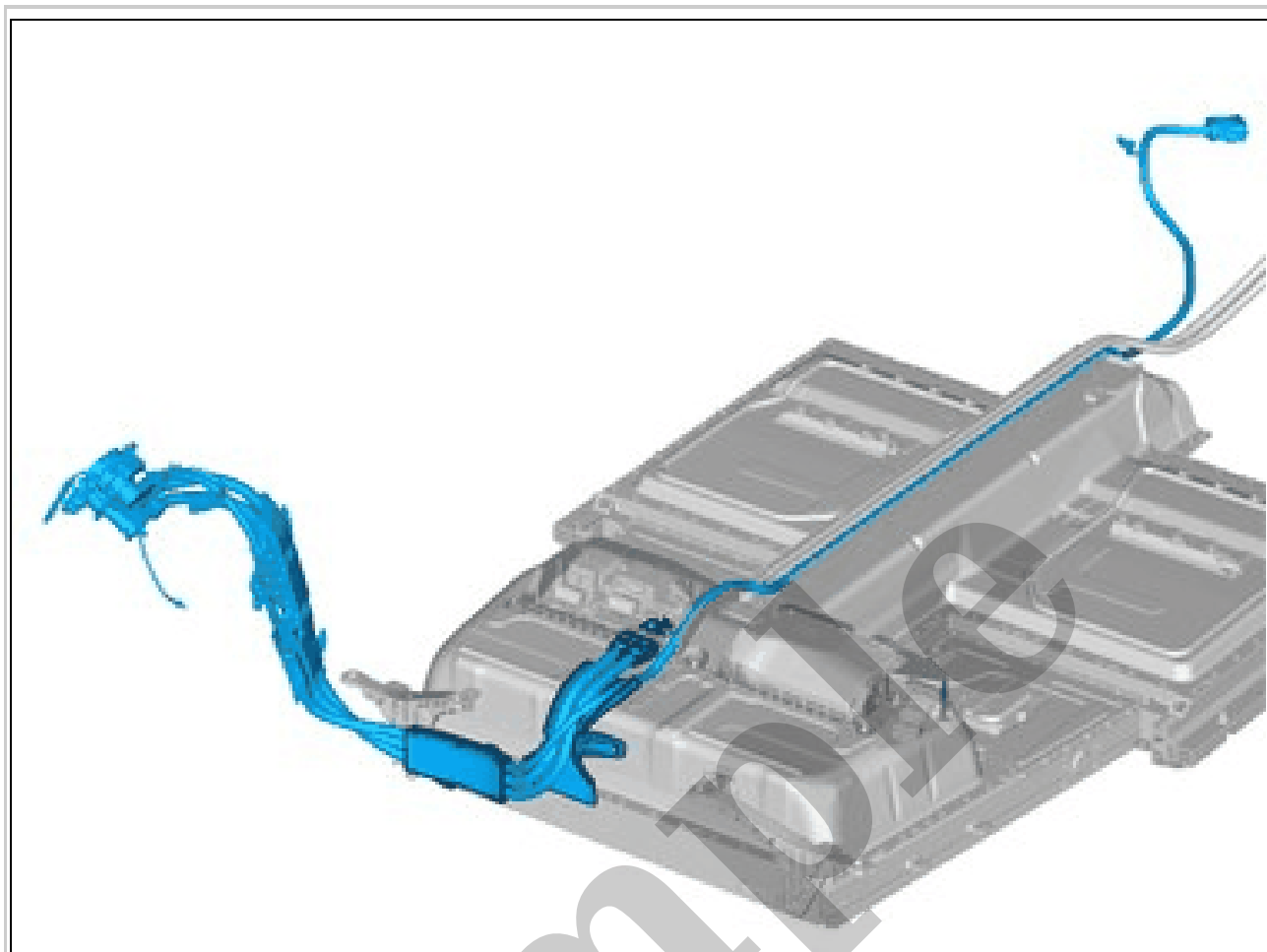
Courtesy of VOLVO CARS CORPORATION

Loosen the clips.



Courtesy of VOLVO CARS CORPORATION

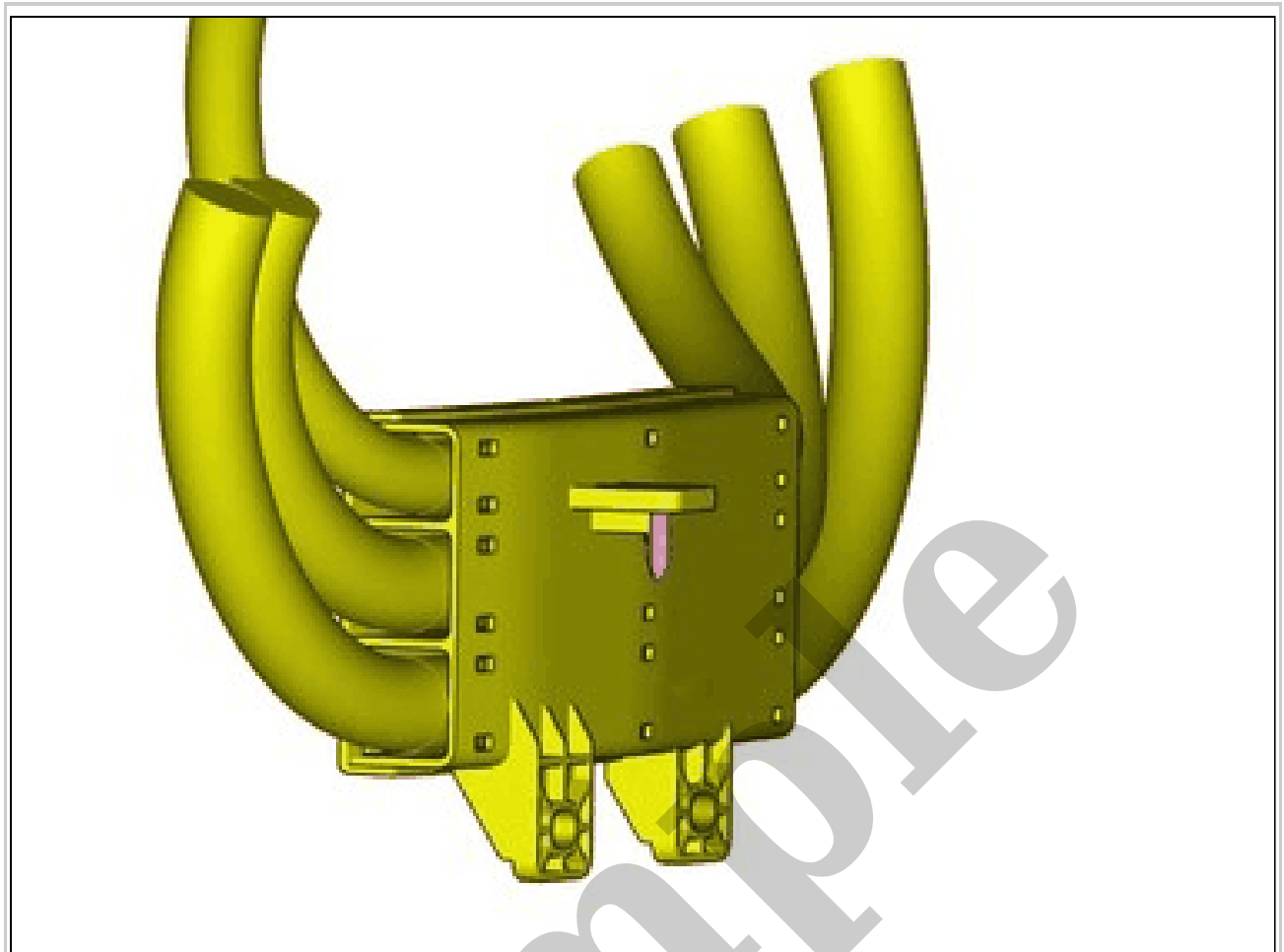
Remove the screws.



Courtesy of VOLVO CARS CORPORATION

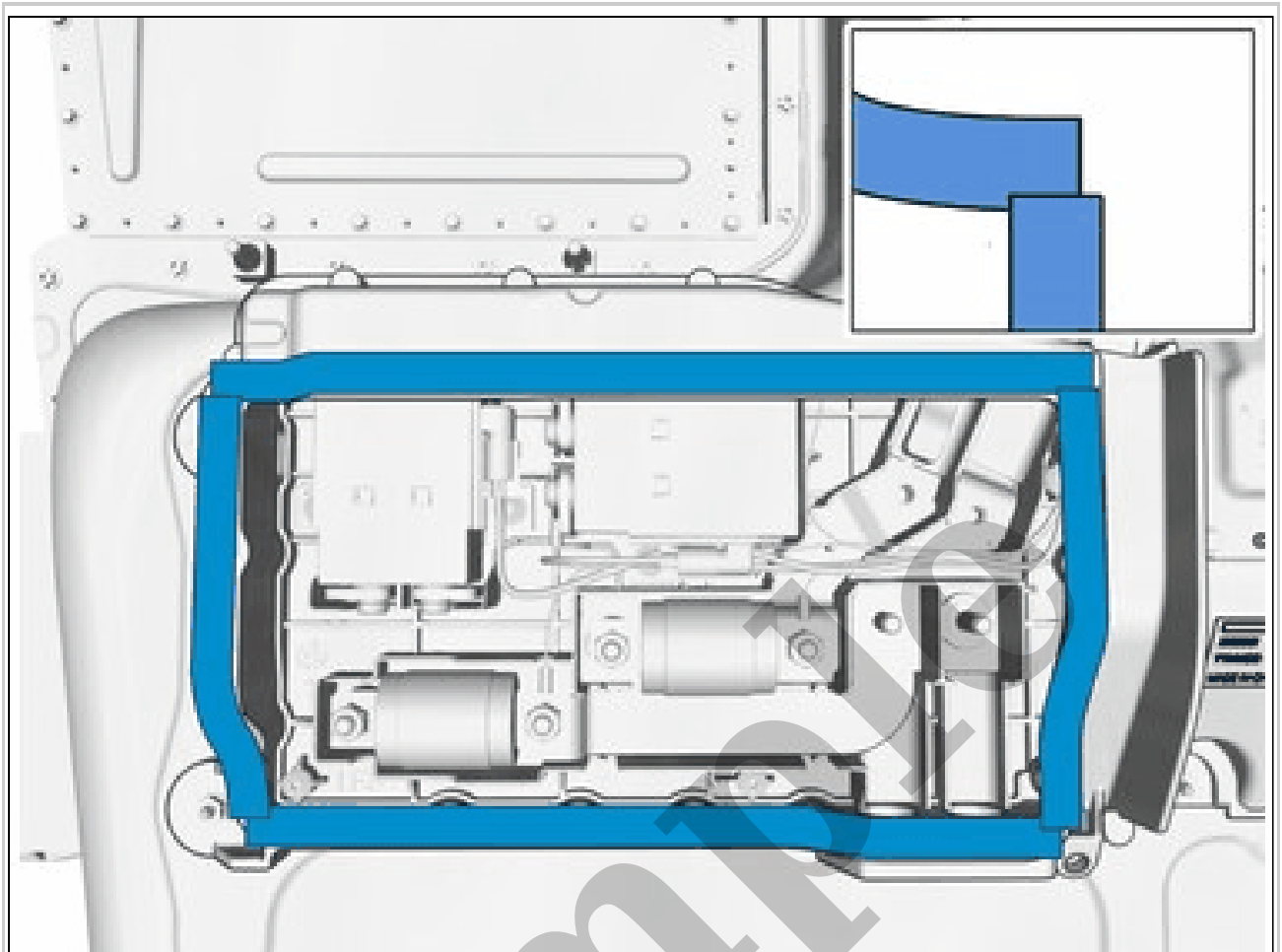
Remove the marked part.

INSTALLATION



Courtesy of VOLVO CARS CORPORATION

The graphic shows the back of the component.



Courtesy of VOLVO CARS CORPORATION

NOTE: Do not remove the protective film.

New sealing.
Note the position.
Use: Butyl tape,