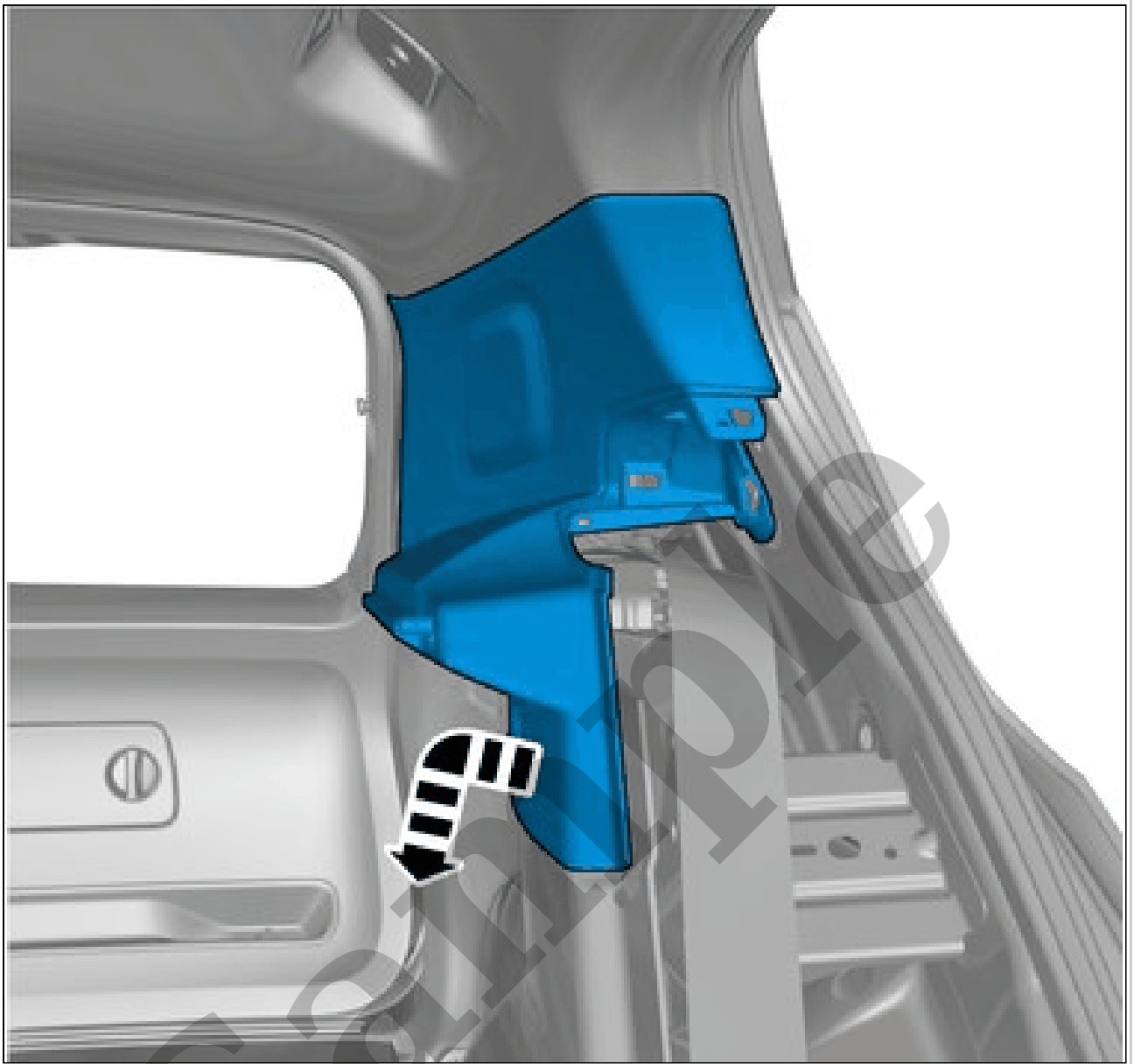


Your Ultimate Source for OEM Repair Manuals

FactoryManuals.net is a great resource for anyone who wants to save money on repairs by doing their own work. The manuals provide detailed instructions and diagrams that make it easy to understand how to fix a vehicle.

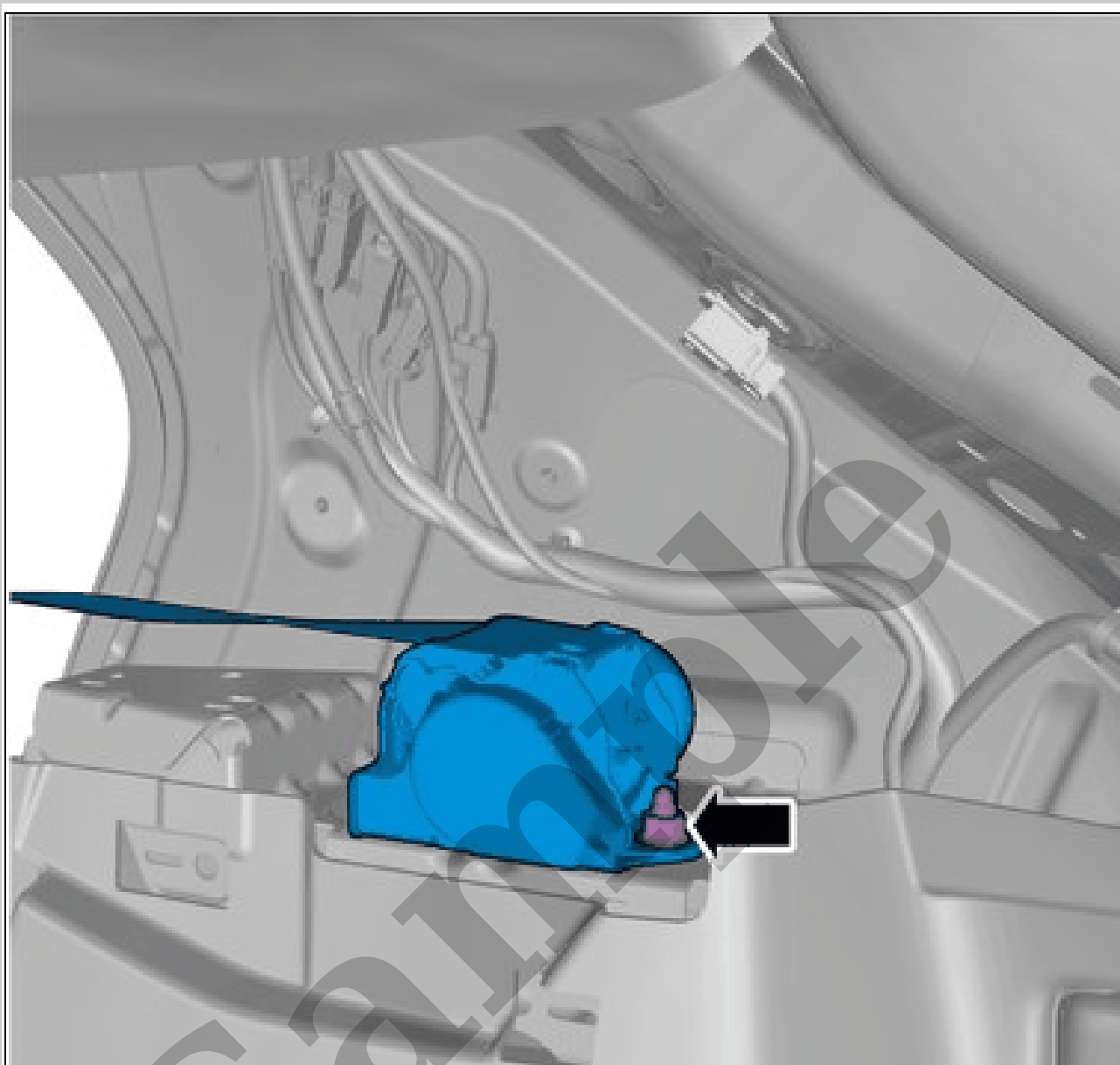
1996 VOLVO 940 OEM Service and Repair Workshop Manual

[Go to manual page](#)



Courtesy of VOLVO CARS CORPORATION

Remove the marked part.
APPLIES TO THE LEFT-HAND SIDE:



Courtesy of VOLVO CARS CORPORATION

Torque: Safety belt retractor rear to body, 40Nm

Remove the nut.

Remove the marked part.

INSTALLATION

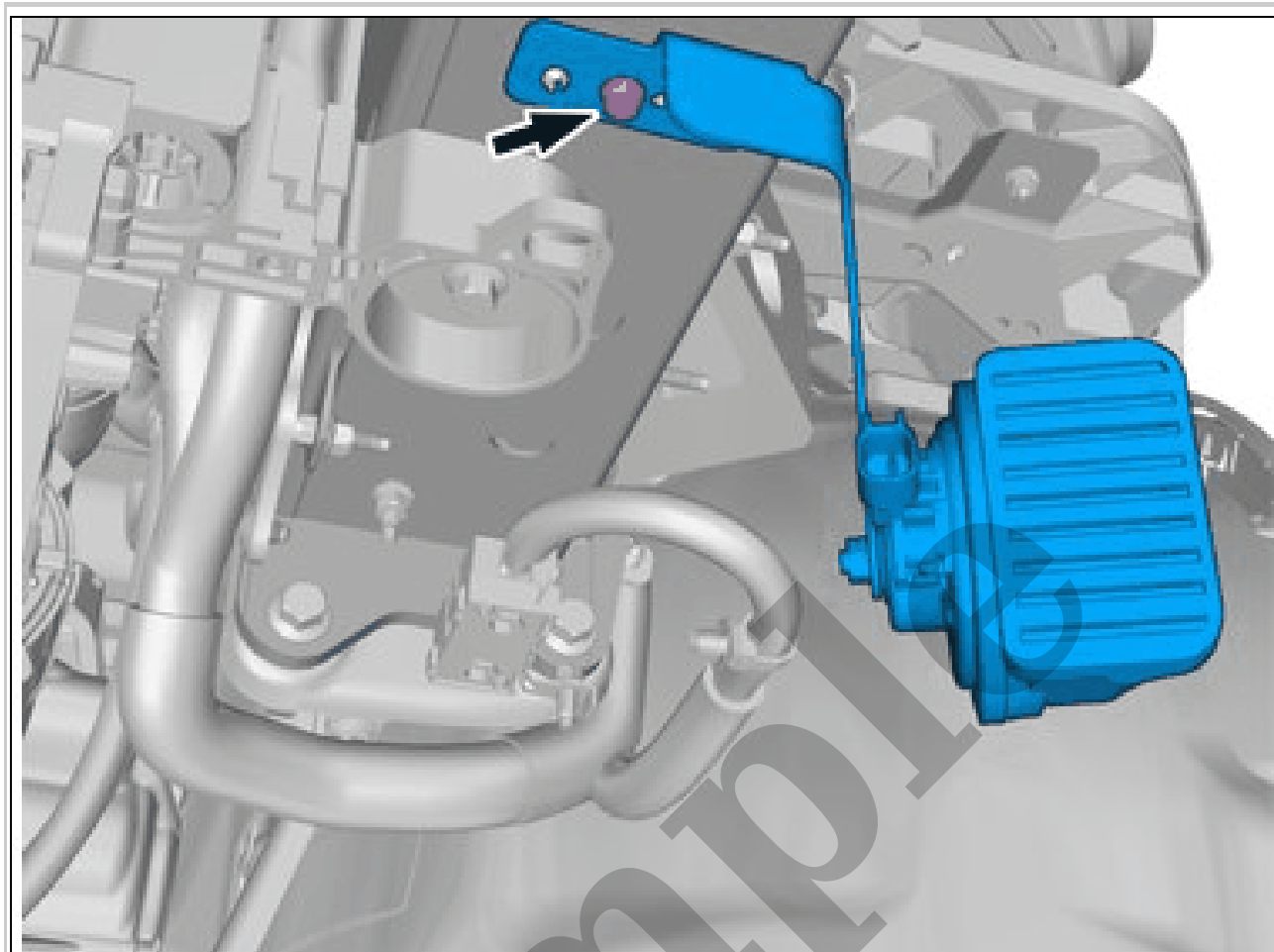
To install, reverse the removal procedure.

CHECK

Perform seatbelt function, check. Refer to: SEAT BELT FUNCTION, CHECK

Perform supplemental restraint system (SRS), post check. Refer to: SUPPLEMENTARY RESTRAINT SYSTEM

STOP BUTTON SEAT BELT > STOP BUTTON SEAT BELT [2018-2022] > REMOVAL



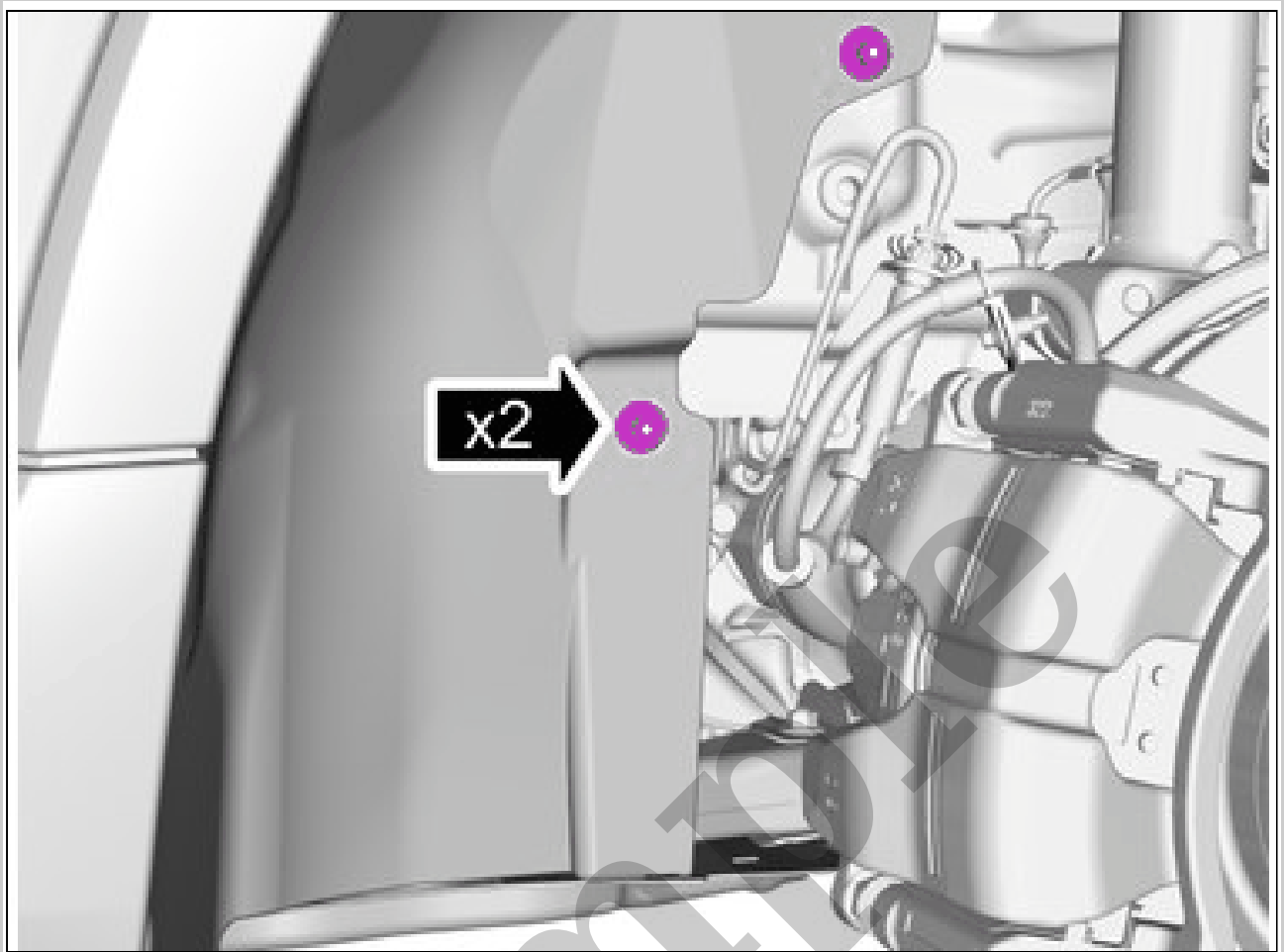
Courtesy of VOLVO CARS CORPORATION

Remove the screw.

Torque: M6, 10Nm

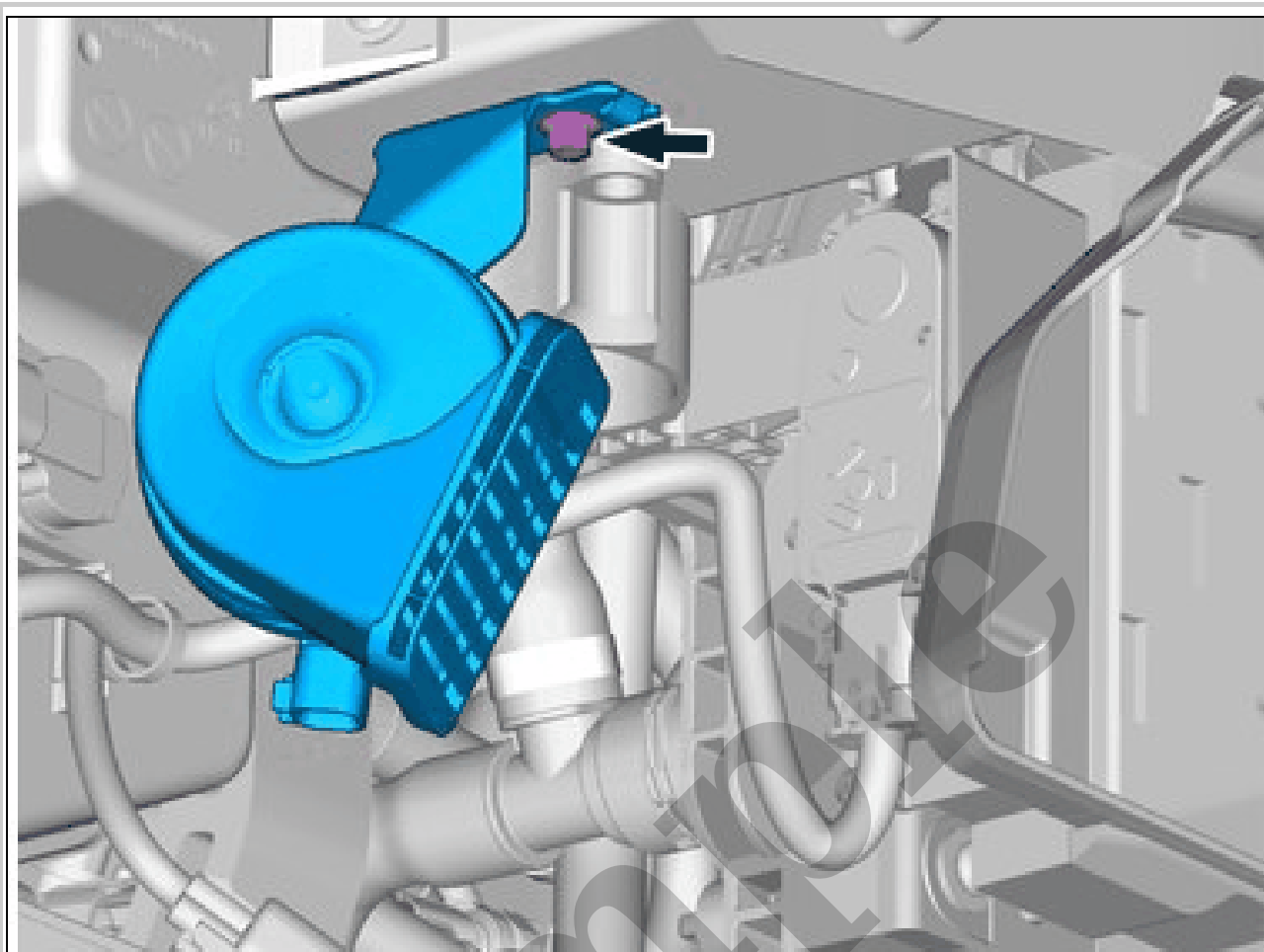
Remove the marked part.

APPLIES TO THE RIGHT-HAND SIDE



Courtesy of VOLVO CARS CORPORATION

Remove the nuts.



Courtesy of VOLVO CARS CORPORATION

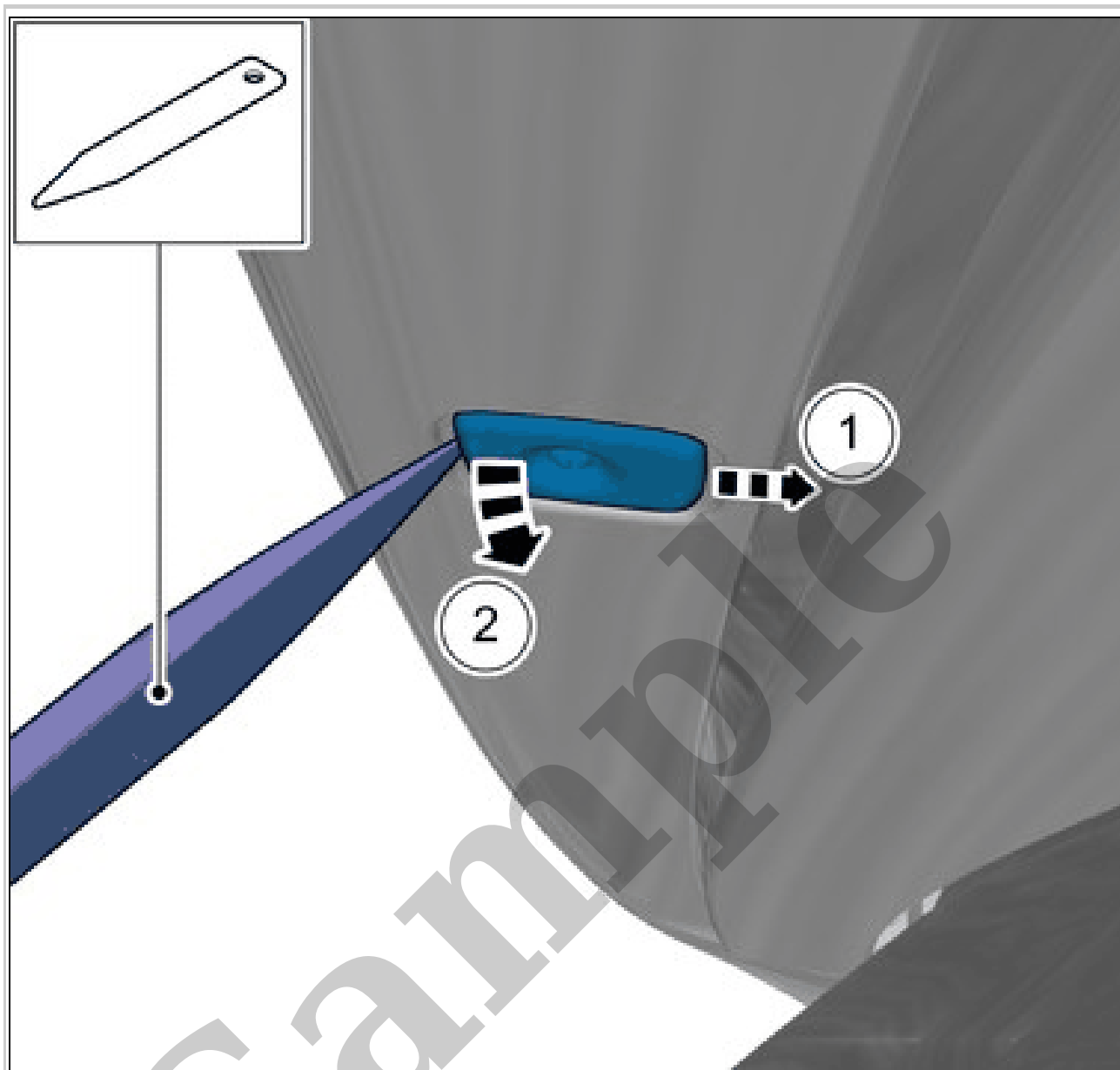
Remove the screw.
Remove the marked part.
Torque: M6, 10Nm

HORN > HORN [2021-2022, E400V6] > INSTALLATION

To install, reverse the removal procedure.

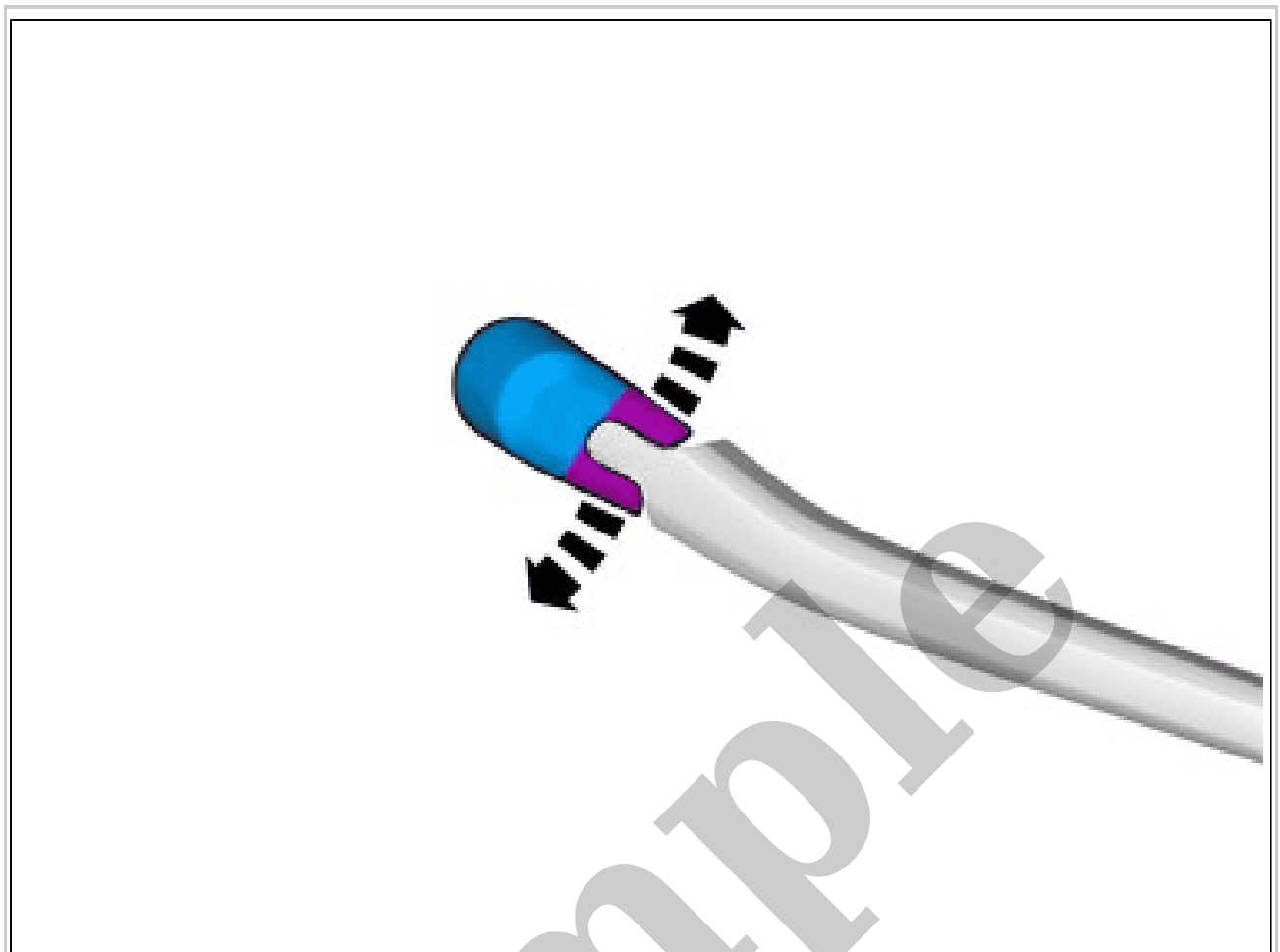
HEADLIGHT WASHERS > HEADLIGHT WASHERS [2018-2022] > REMOVAL

Remove casing bumper front. Refer to: COVER BUMPER FRONT



Courtesy of VOLVO CARS CORPORATION

Remove the part carefully



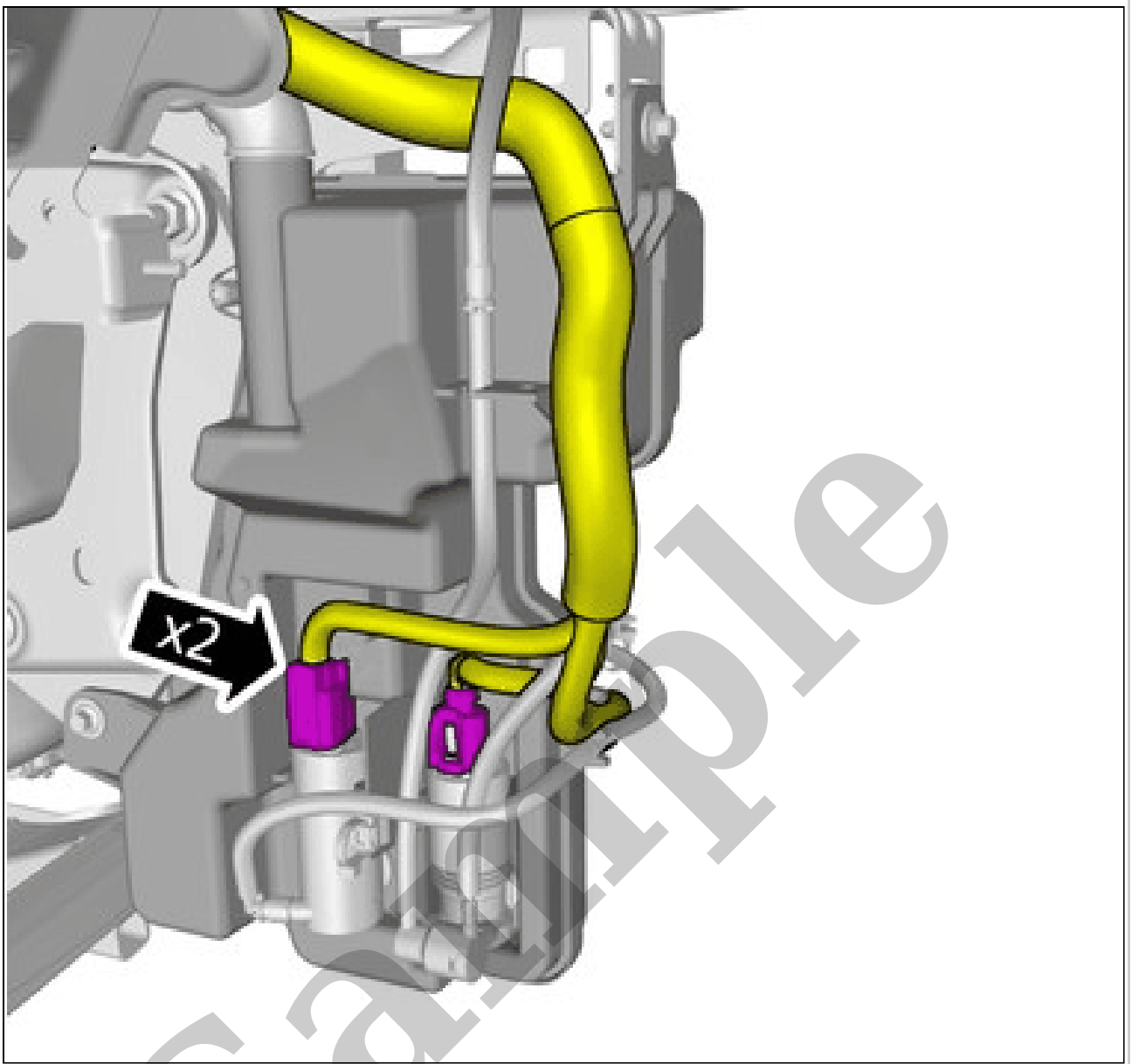
Courtesy of VOLVO CARS CORPORATION

Remove the marked part.

INSTALLATION

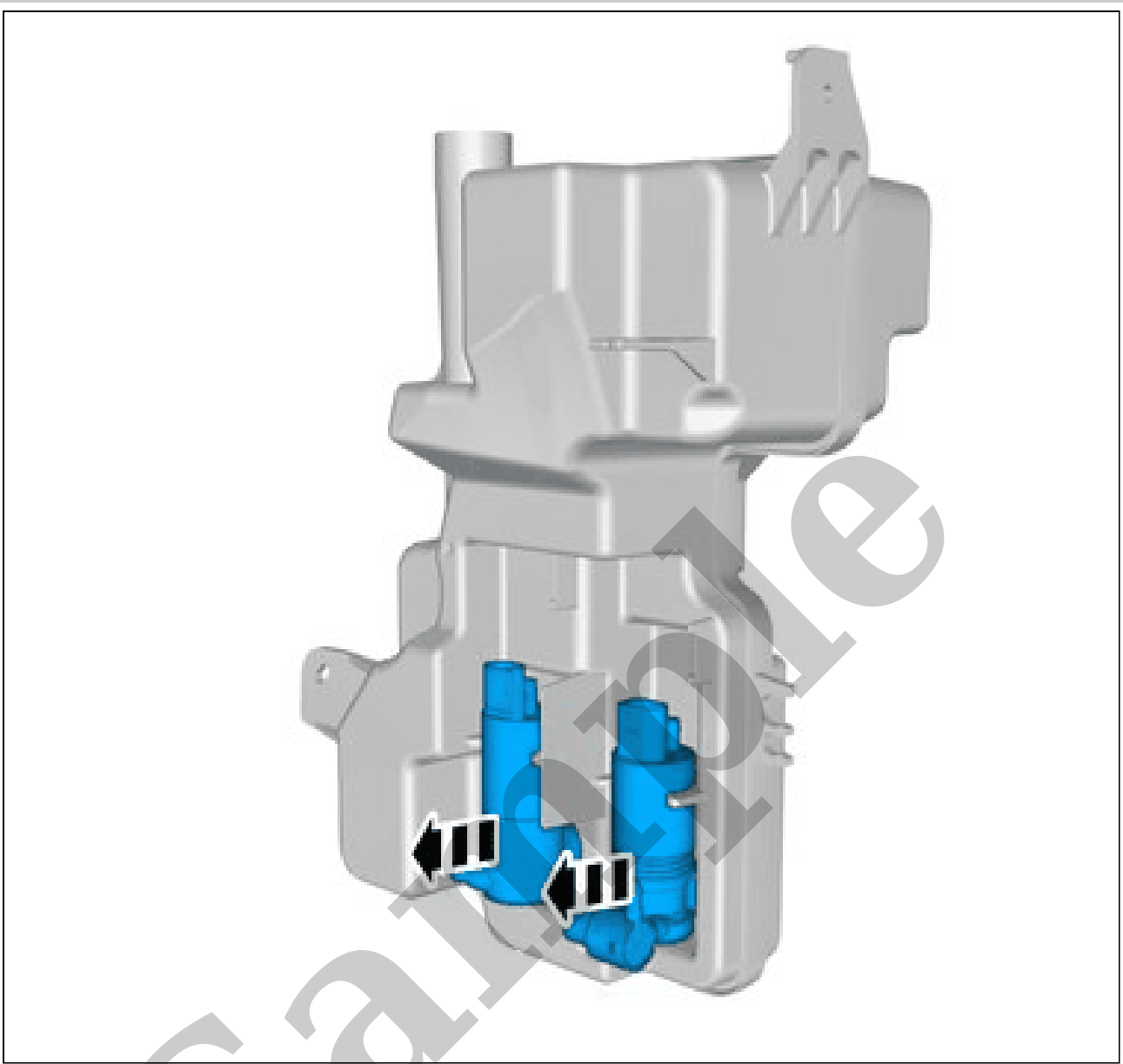
To install, reverse the removal procedure.

**REFILL RUBBER, WIPER BLADE > REFILL RUBBER, WIPER BLADE [2018-2022] >
REMOVAL**



Courtesy of VOLVO CARS CORPORATION

Disconnect the connectors.



Courtesy of VOLVO CARS CORPORATION

Remove the marked part.
INSTALLATION