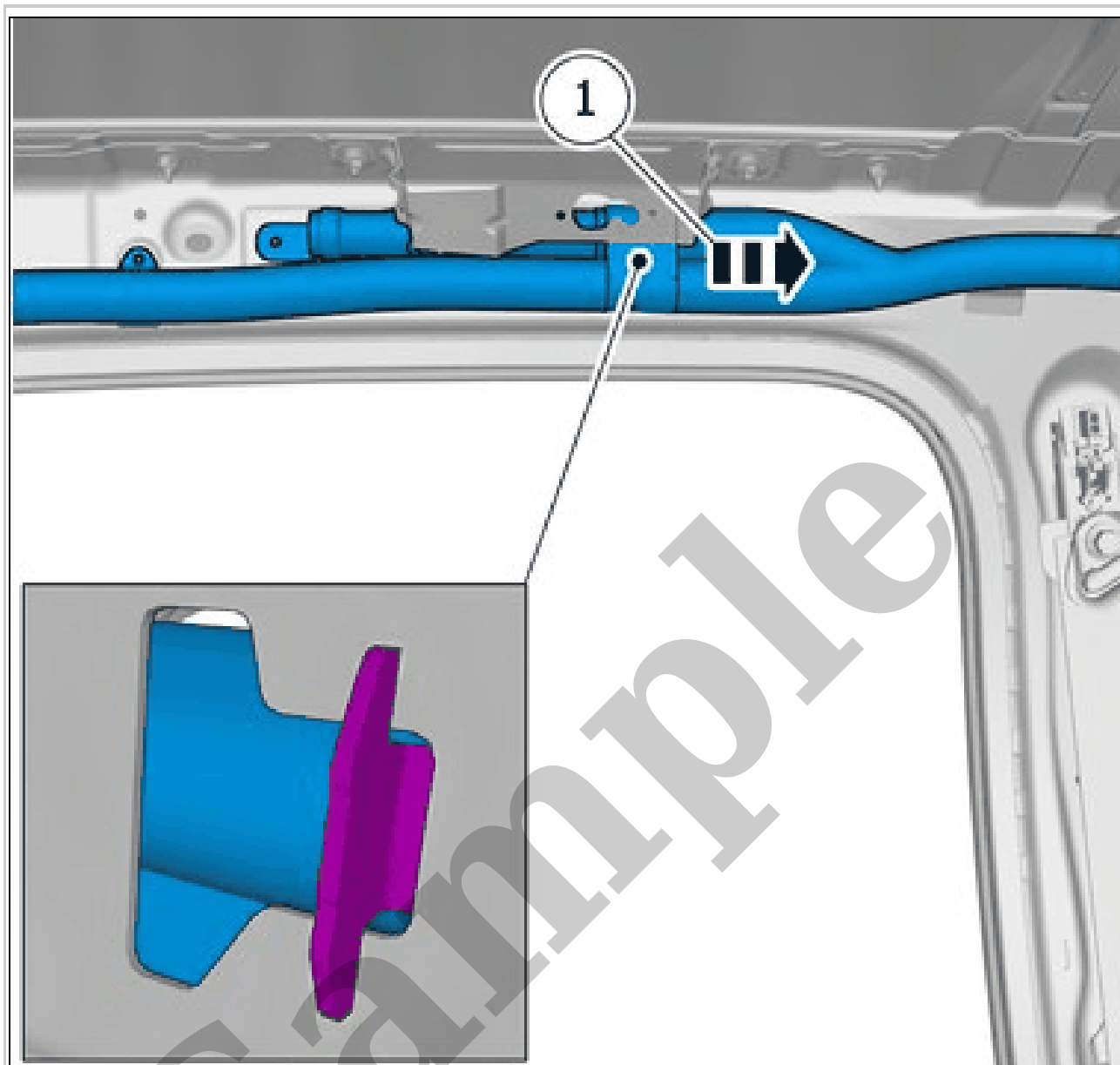


# Your Ultimate Source for OEM Repair Manuals

FactoryManuals.net is a great resource for anyone who wants to save money on repairs by doing their own work. The manuals provide detailed instructions and diagrams that make it easy to understand how to fix a vehicle.

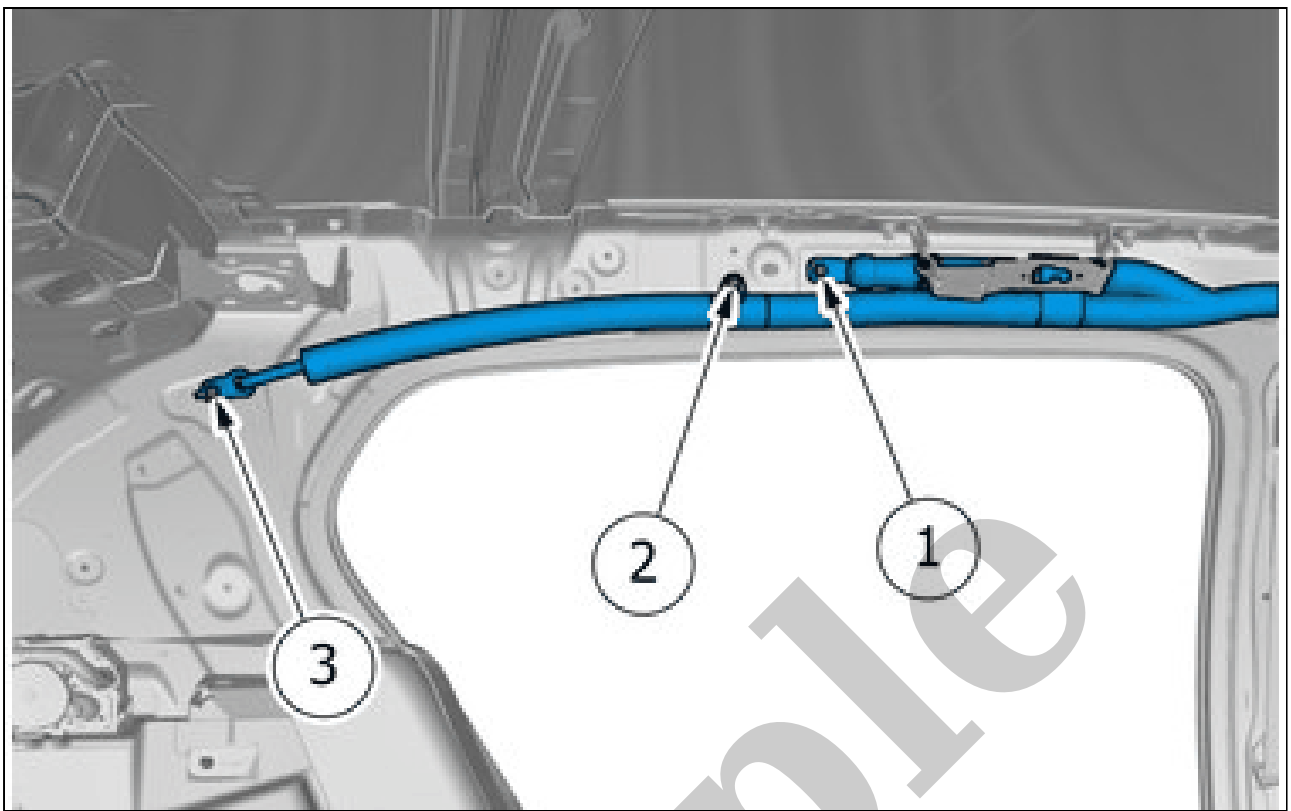
## 1996 VOLVO 940 Estate OEM Service and Repair Workshop Manual

[Go to manual page](#)



Courtesy of VOLVO CARS CORPORATION

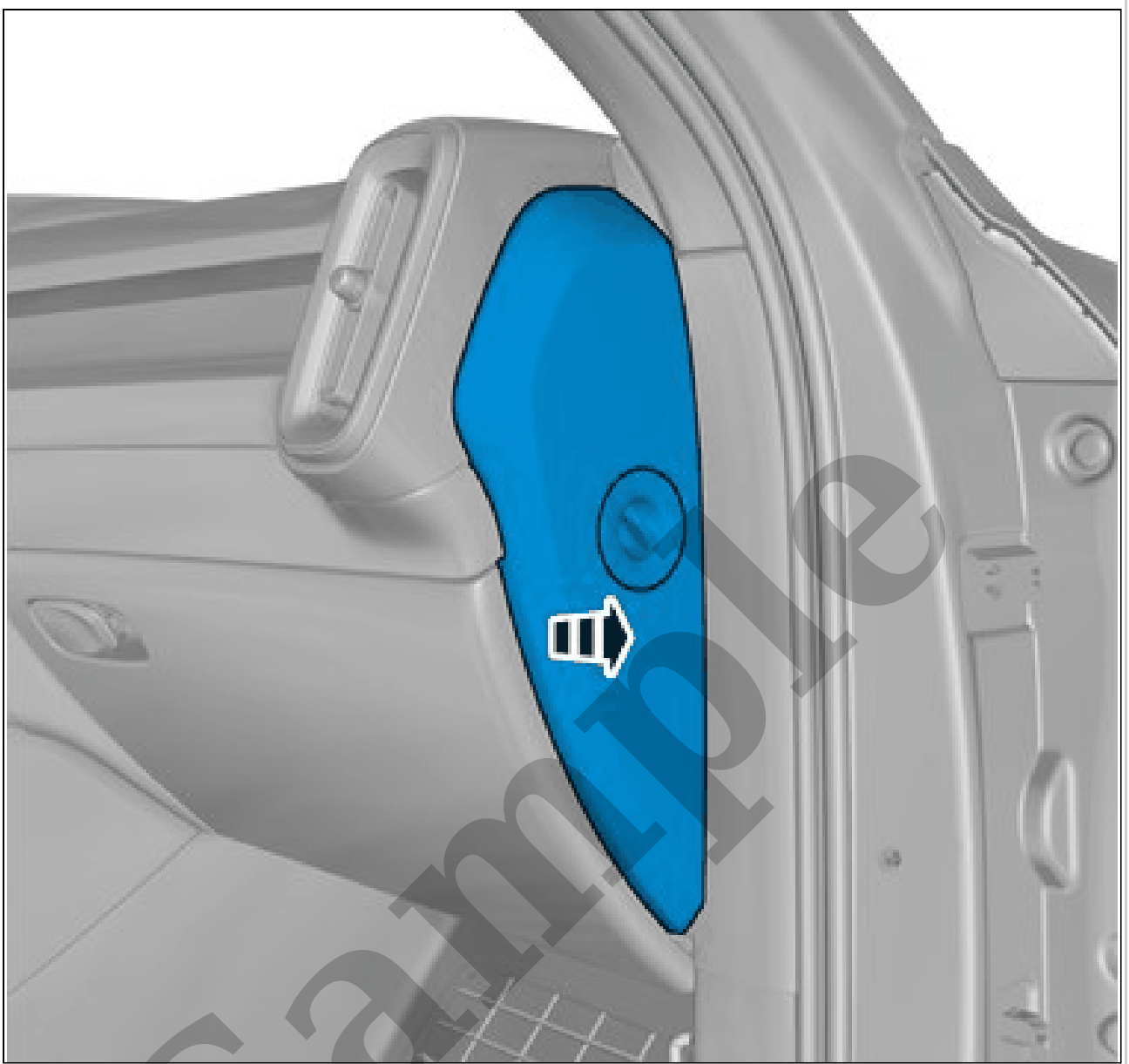
Remove the marked part.



Courtesy of VOLVO CARS CORPORATION

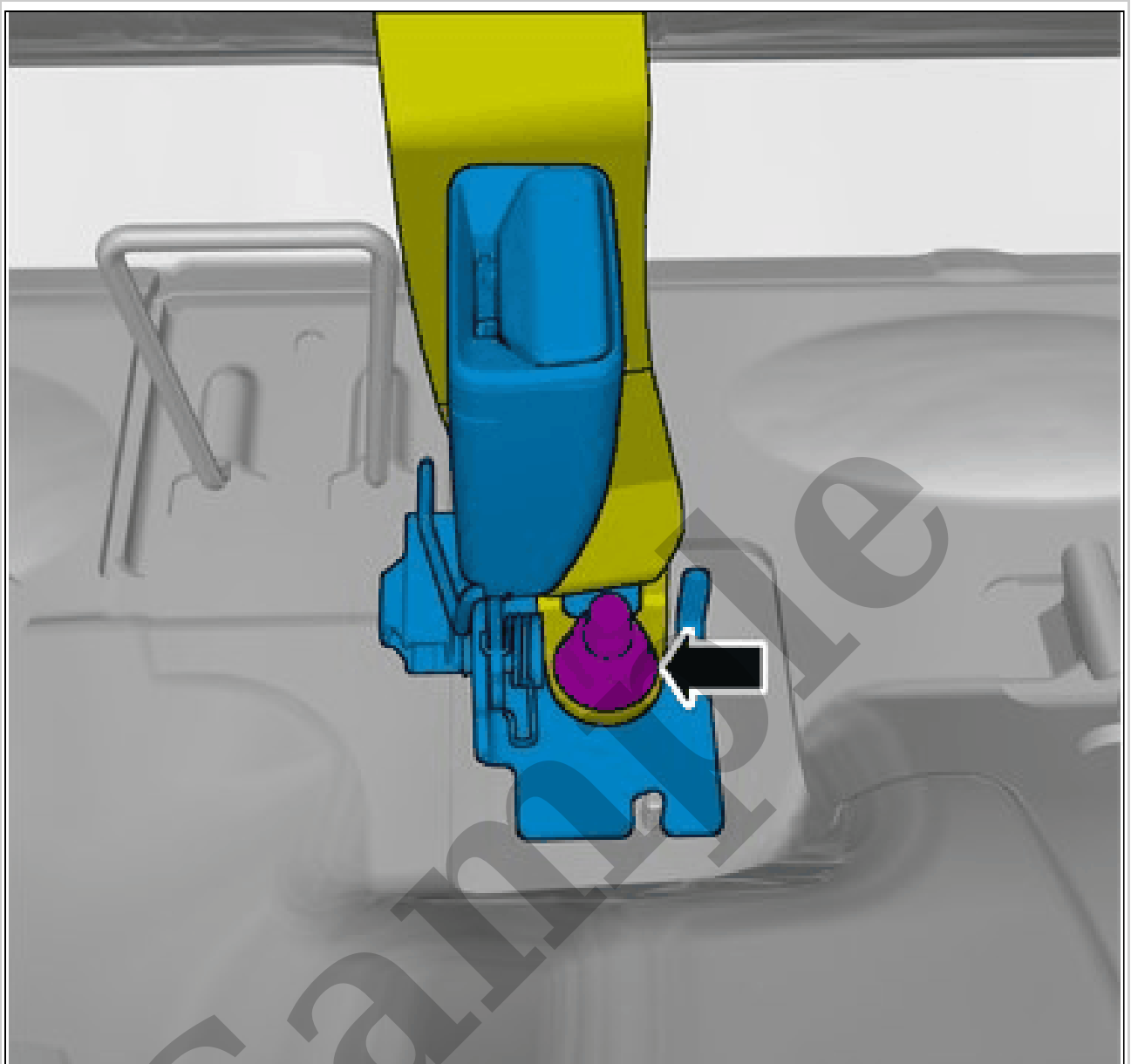
**NOTE:** Make sure to follow the sequence indicated.

**Torque:** Inflatable curtain to the body, 7Nm  
Install the screws.



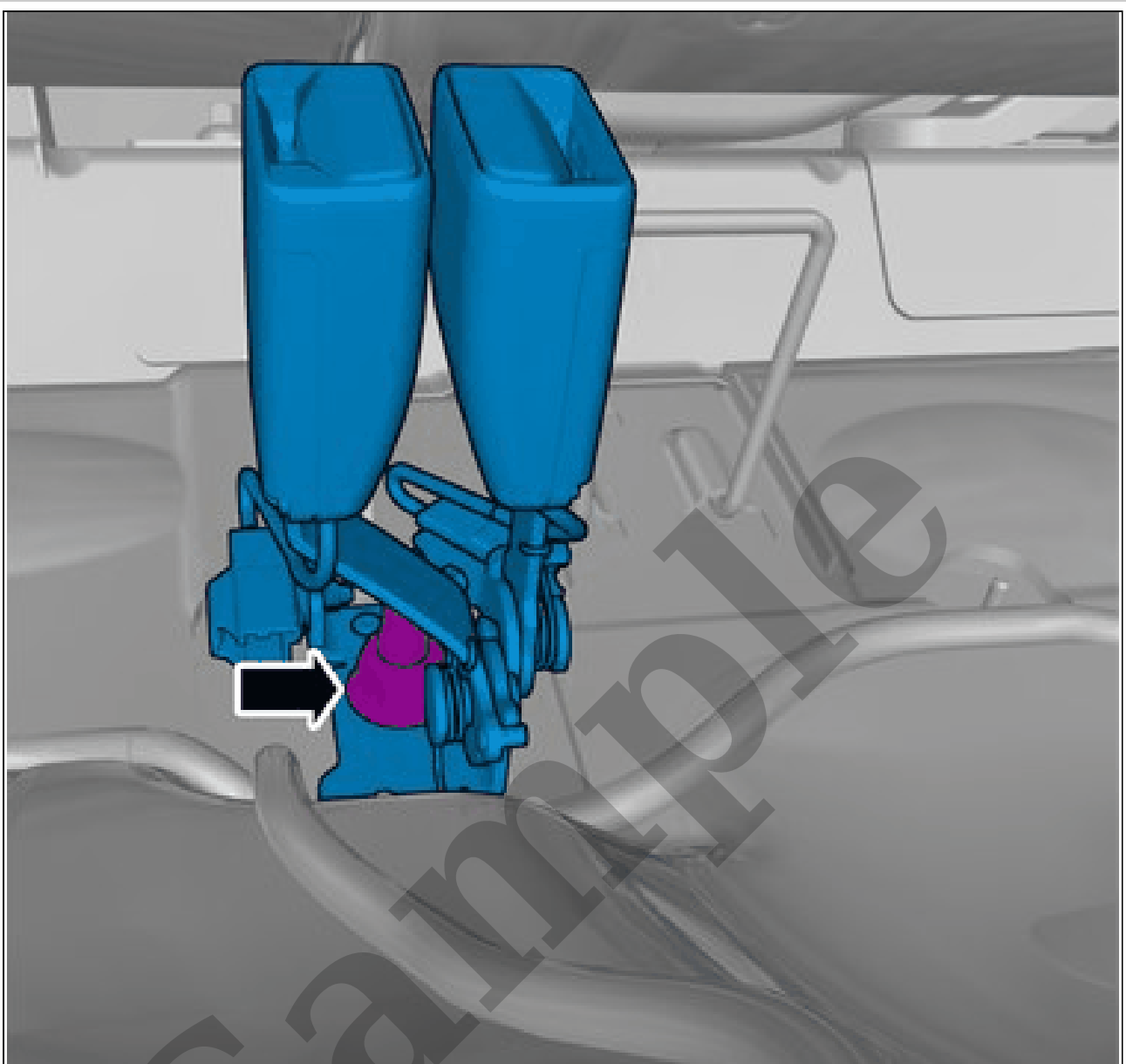
Courtesy of VOLVO CARS CORPORATION

Loosen the marked detail.



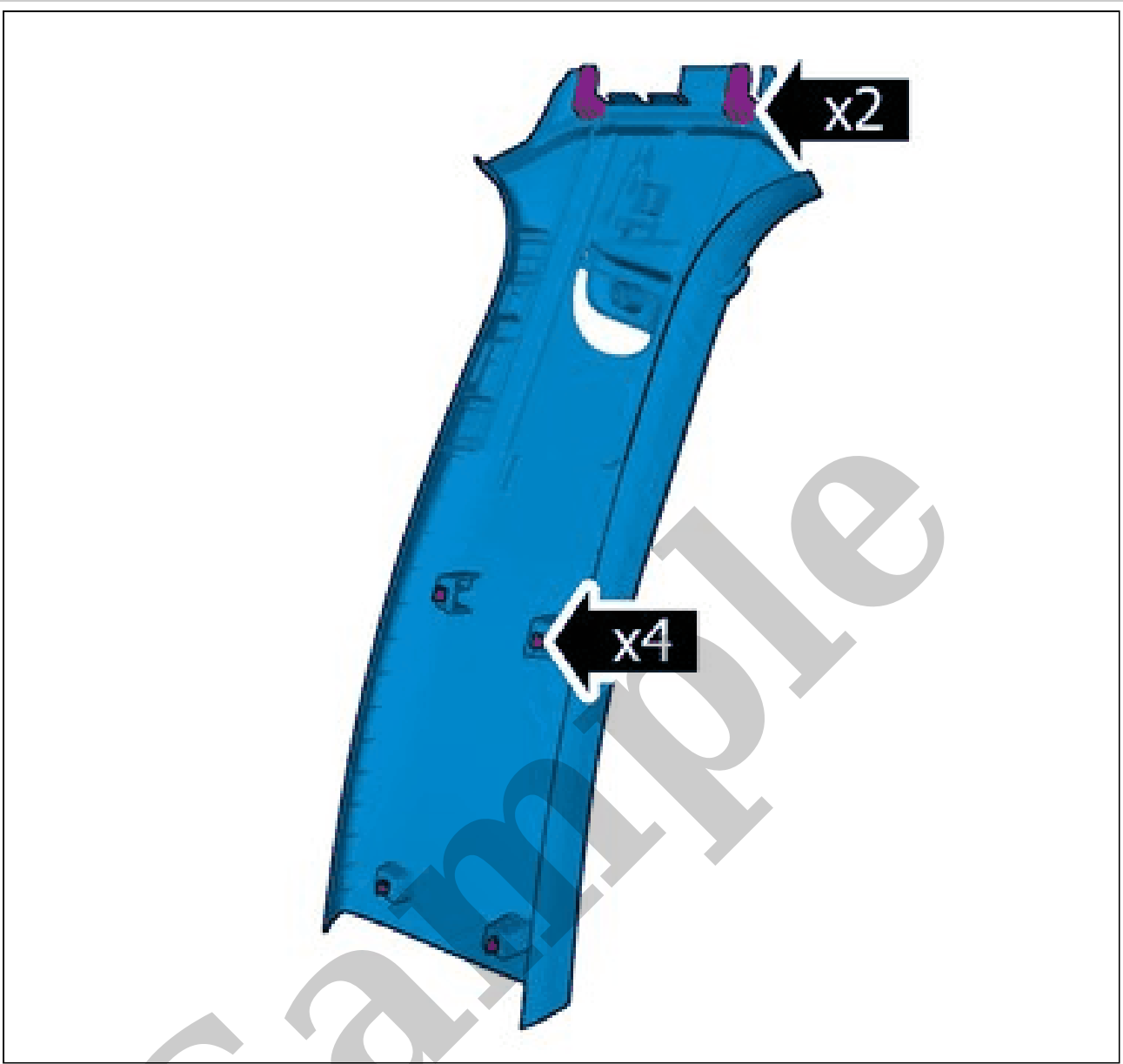
Courtesy of VOLVO CARS CORPORATION

**Torque:** Buckle safety belt to body, 48Nm  
Remove the nut.  
Fold marked part aside.



Courtesy of VOLVO CARS CORPORATION

**Torque:** Buckle safety belt to body, 48Nm  
Install the marked component.  
Install the nut.



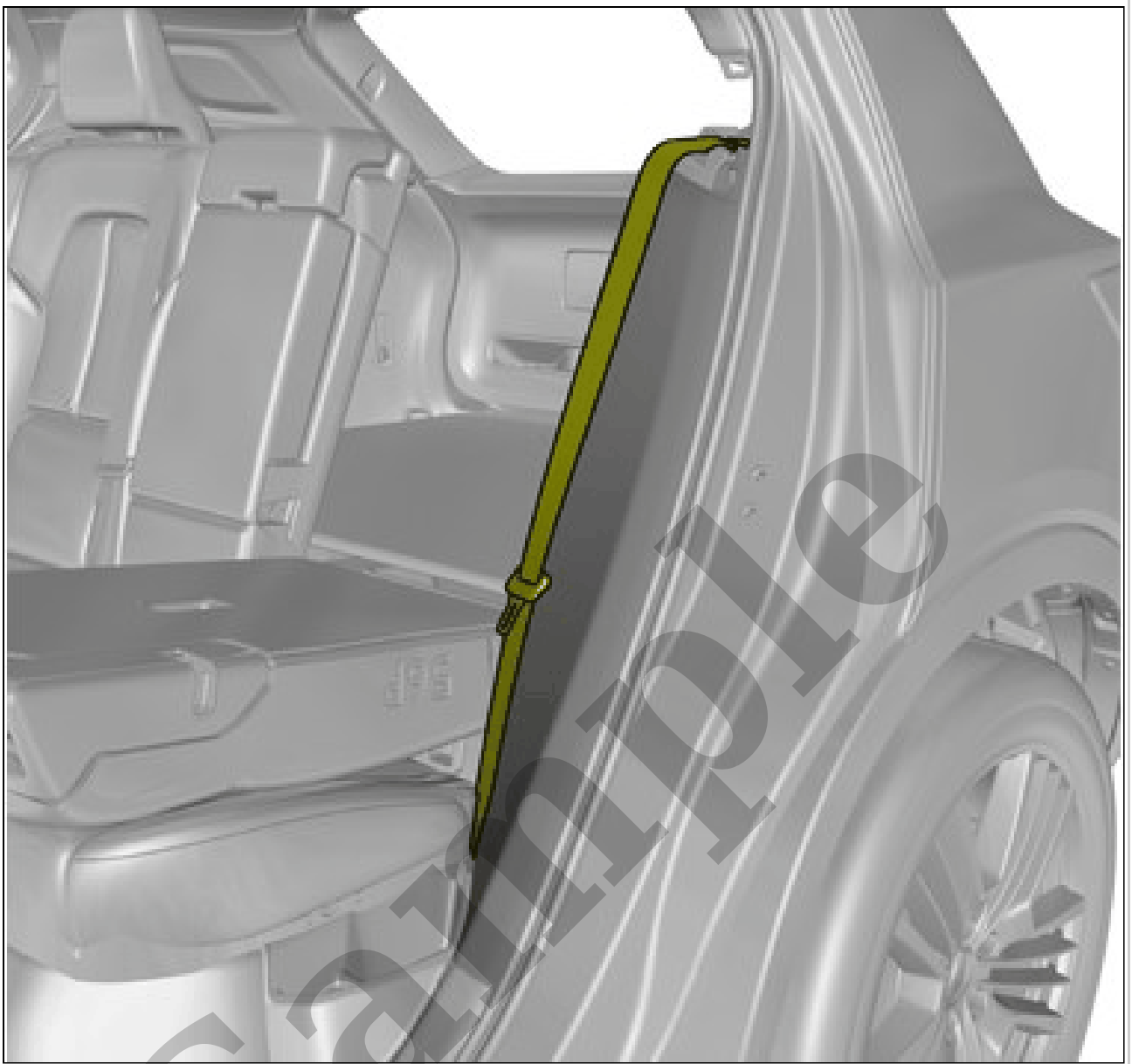
Courtesy of VOLVO CARS CORPORATION

**NOTE:** *The graphic shows the back of the component before removal.*



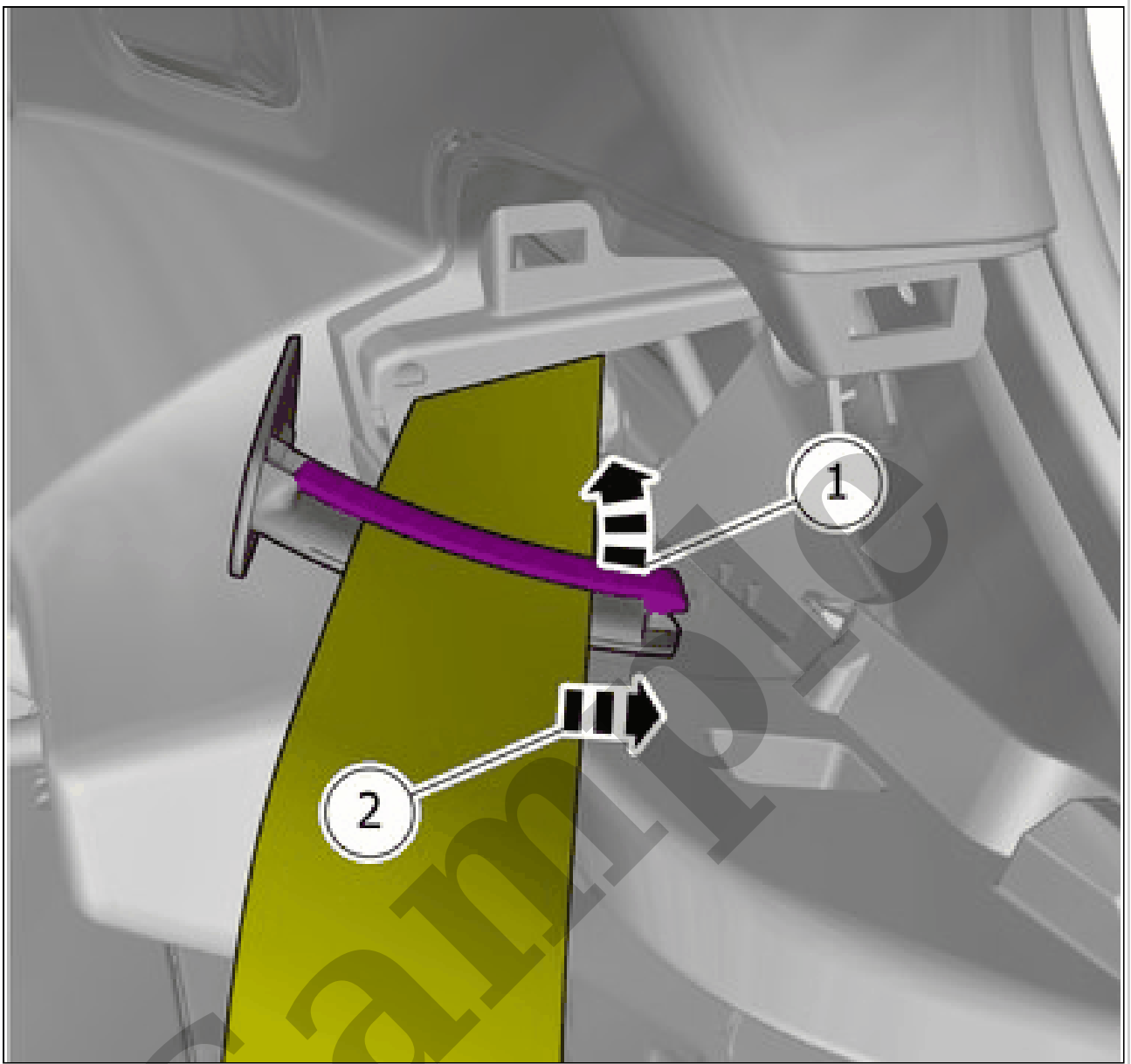
Courtesy of VOLVO CARS CORPORATION





Courtesy of VOLVO CARS CORPORATION

Fold marked part aside.



Courtesy of VOLVO CARS CORPORATION

1. Release the lock.
2. Fold marked part aside.