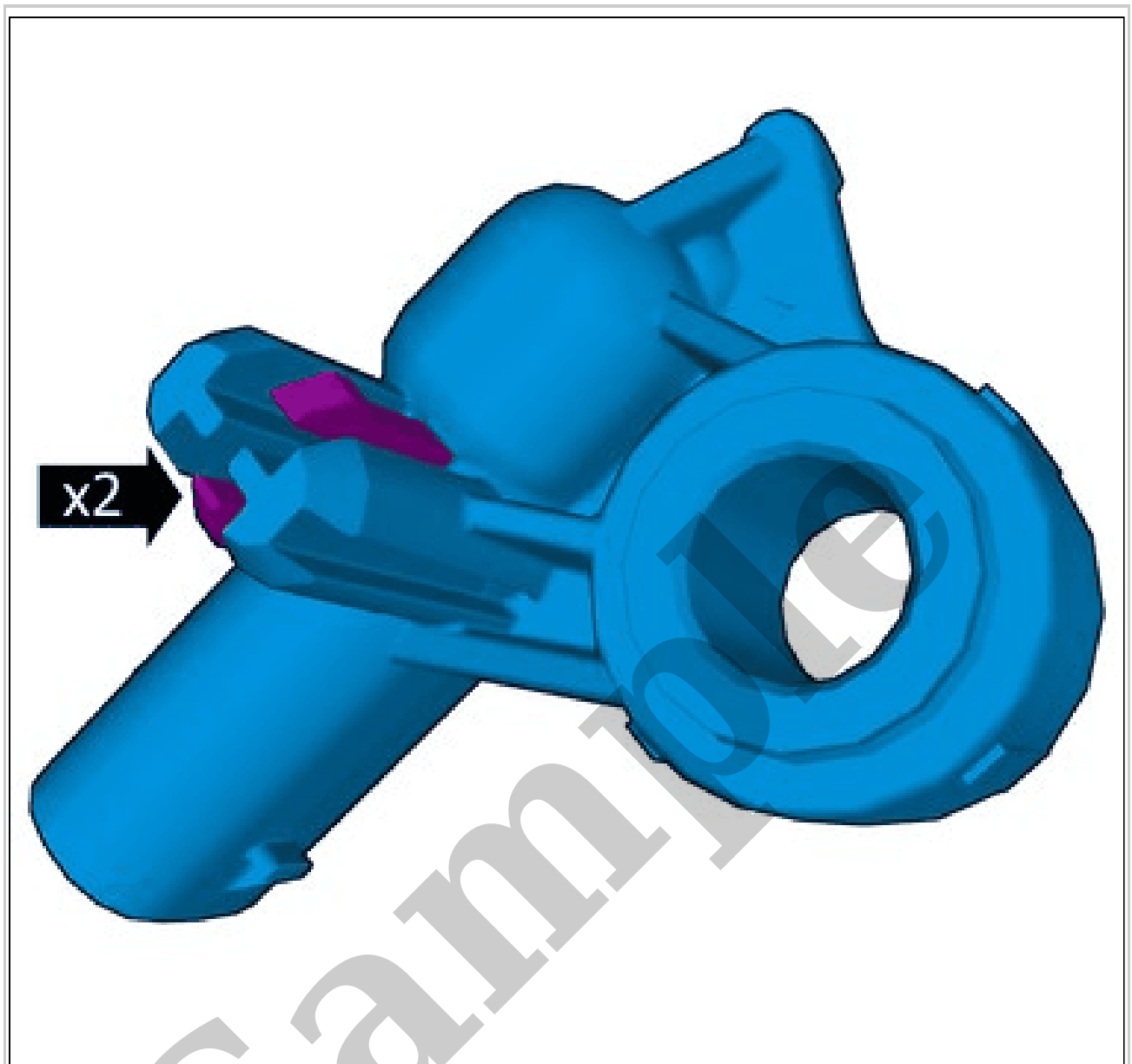


Your Ultimate Source for OEM Repair Manuals

FactoryManuals.net is a great resource for anyone who wants to save money on repairs by doing their own work. The manuals provide detailed instructions and diagrams that make it easy to understand how to fix a vehicle.

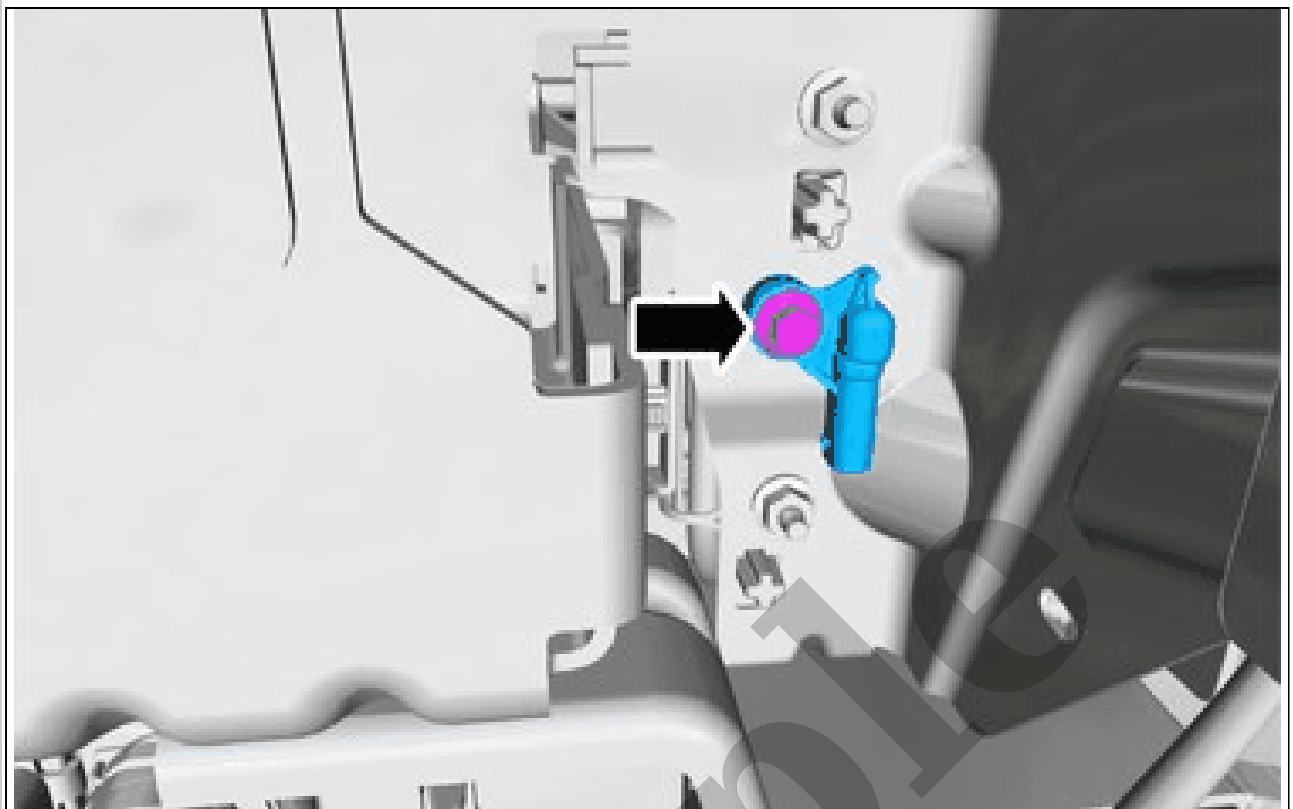
1996 VOLVO 850 R OEM Service and Repair Workshop Manual

[Go to manual page](#)



Courtesy of VOLVO CARS CORPORATION

NOTE: *The graphic shows the back of the component before removal.*



Courtesy of VOLVO CARS CORPORATION

Torque: Impact sensor to body, 10Nm
Remove the screw.
Remove the marked part.

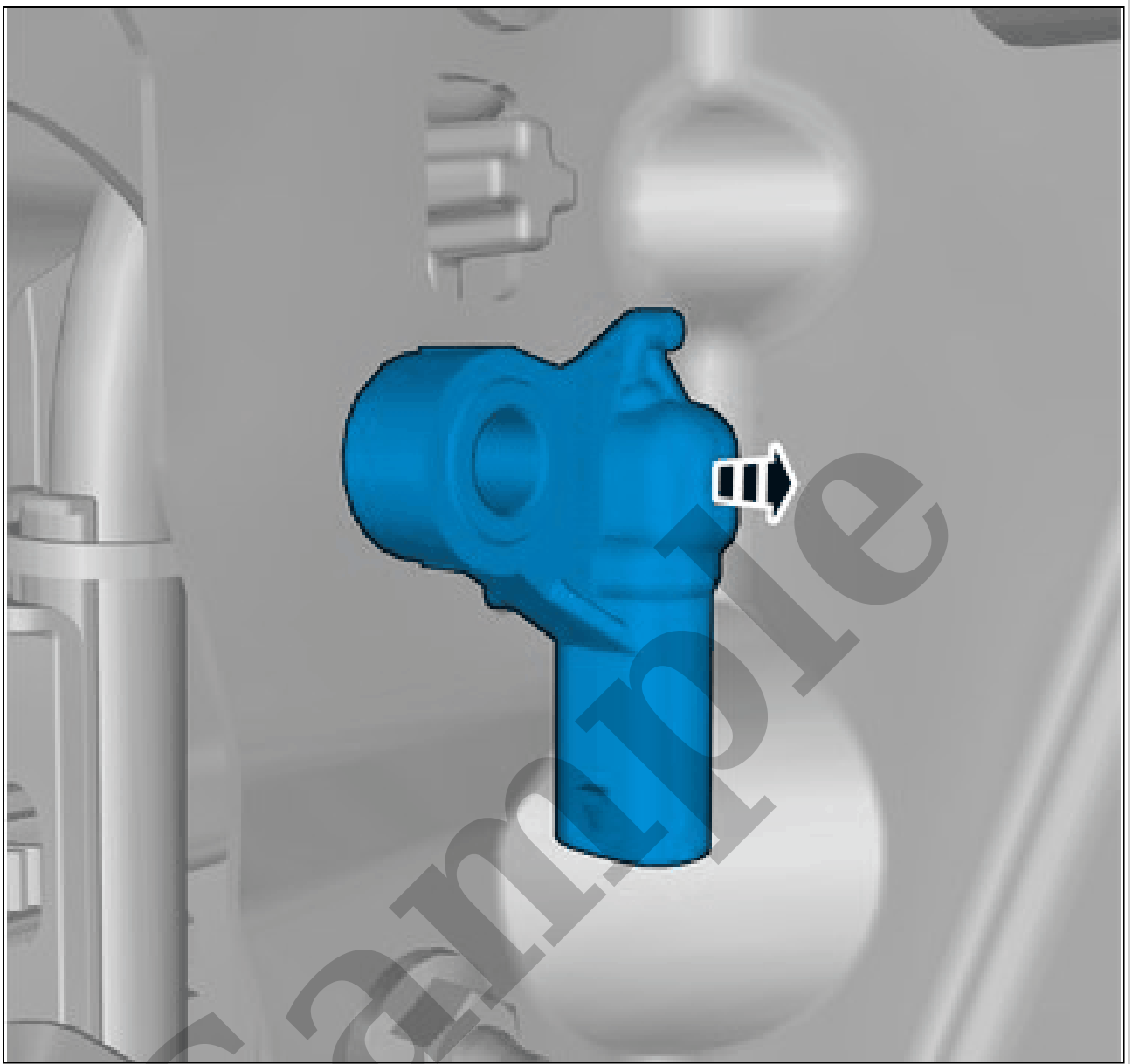
IMPACT SENSOR, FRONT > IMPACT SENSOR, FRONT [2021-2022, E400V6] > INSTALLATION

To install, reverse the removal procedure.
Perform supplemental restraint system (SRS), post check. Refer to: SUPPLEMENTARY RESTRAINT SYSTEM

IMPACT SENSOR, FRONT > IMPACT SENSOR, FRONT [2018-2021 | 2021-2022, B4204T18; B4204T47] > REMOVAL

NOTE: *Removal steps in this procedure may contain installation details.*

Perform battery disconnecting and connecting. Refer to: BATTERY DISCONNECTING AND CONNECTING



Courtesy of VOLVO CARS CORPORATION

Remove the marked part.

APPLIES TO THE LEFT-HAND SIDE:

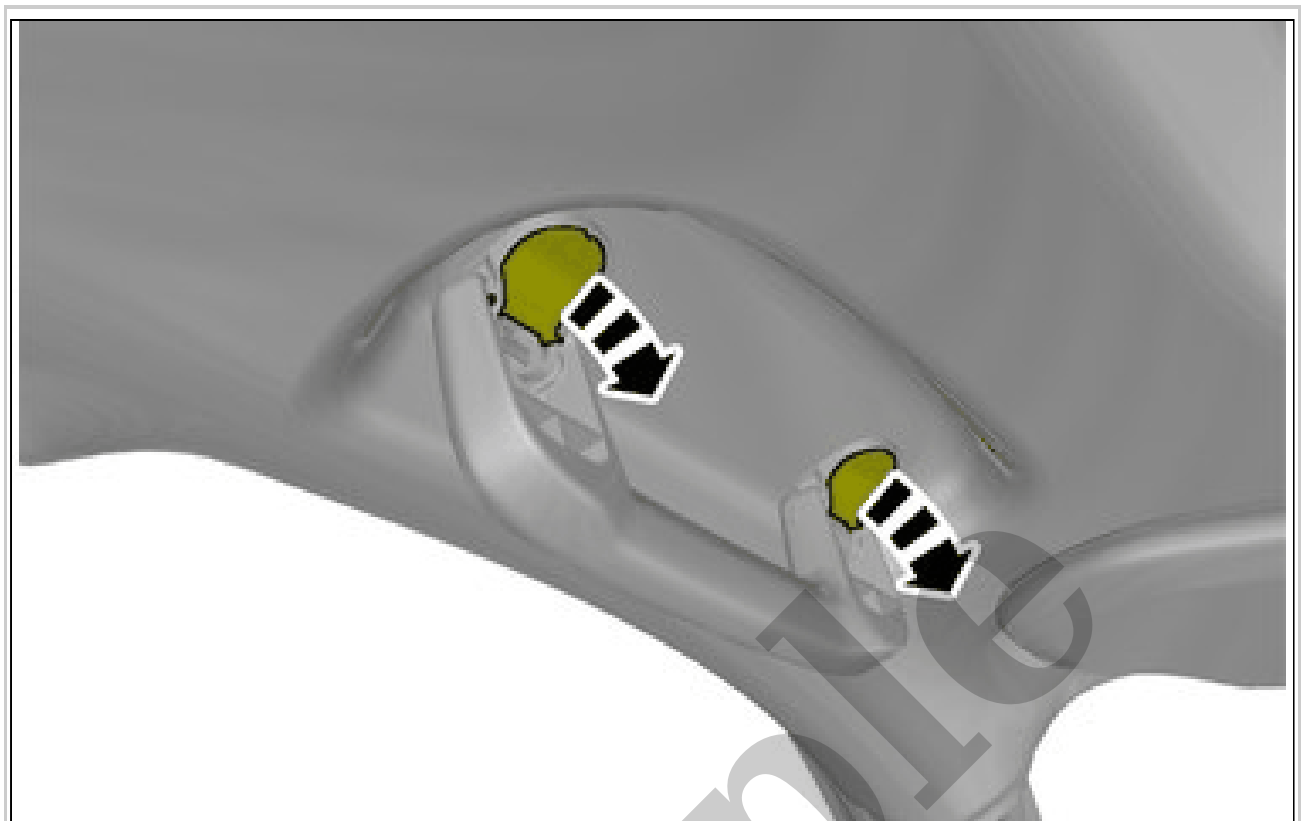
Remove the air filter housing. Refer to: AIR CLEANER HOUSING

NOTE: *Removal steps in this procedure may contain installation details.*

Remove panel side door front. Refer to: PANEL FRONT DOOR
Perform battery disconnecting and connecting. Refer to: BATTERY DISCONNECTING AND CONNECTING

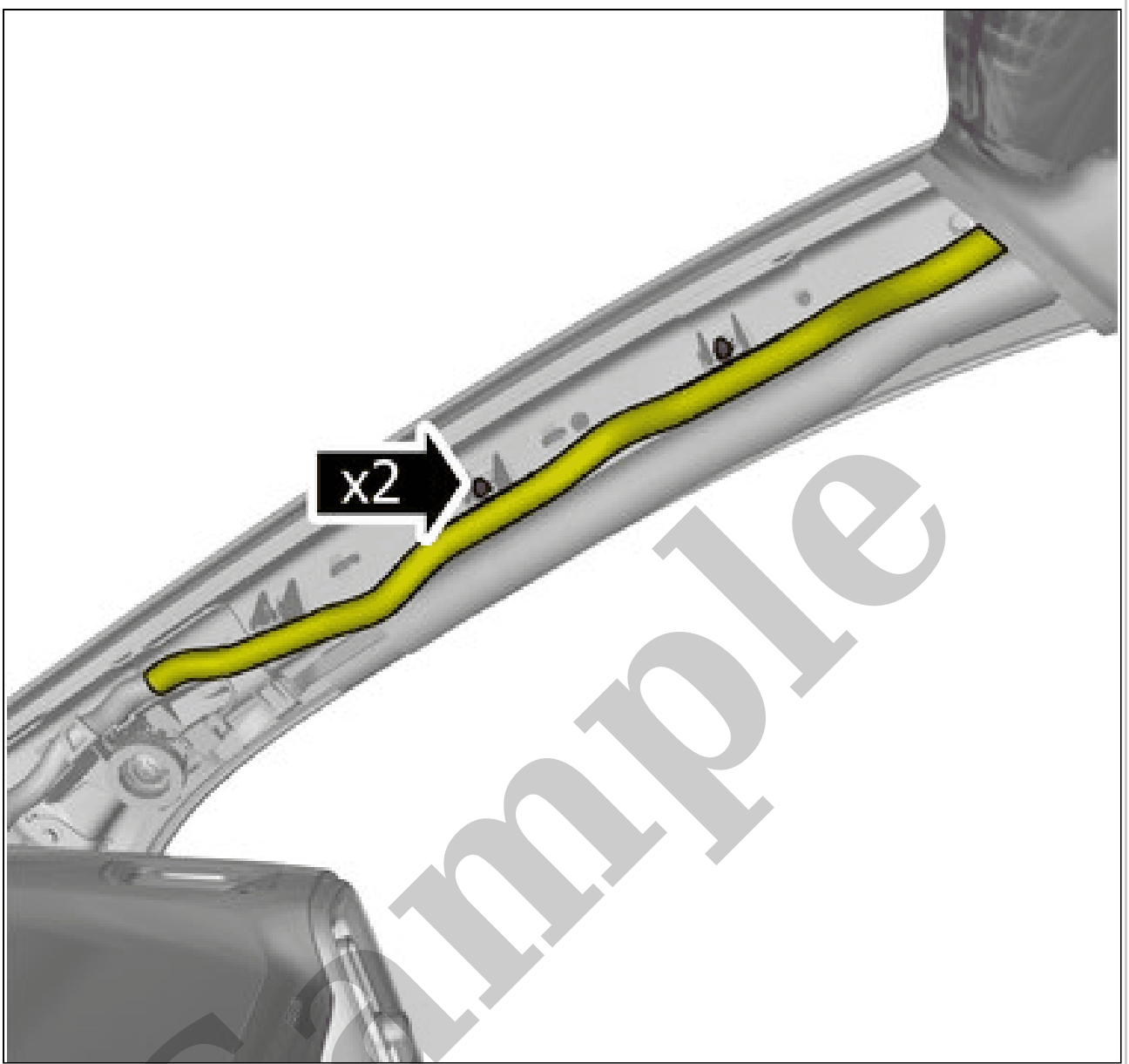
WARNING: *The supplemental restraint system (SRS) is active for a certain length of time after the power supply has been disconnected. Wait for a minimum of 30 seconds before disconnecting or removing any SRS components.*

Sample



Courtesy of VOLVO CARS CORPORATION

Fold marked part aside.
On both sides.



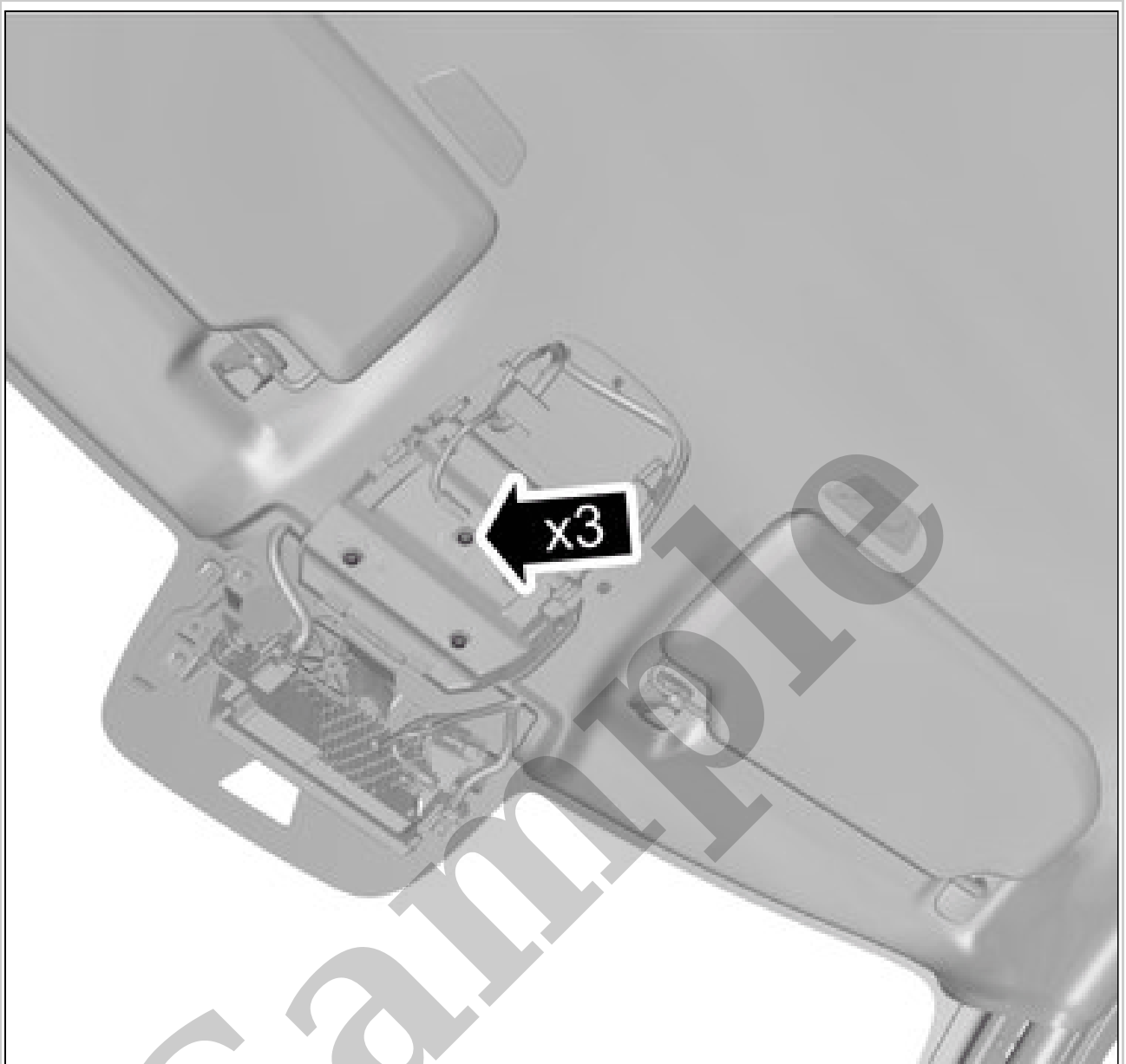
Courtesy of VOLVO CARS CORPORATION

Remove the cable harness clips.
ON BOTH SIDES.



Courtesy of VOLVO CARS CORPORATION

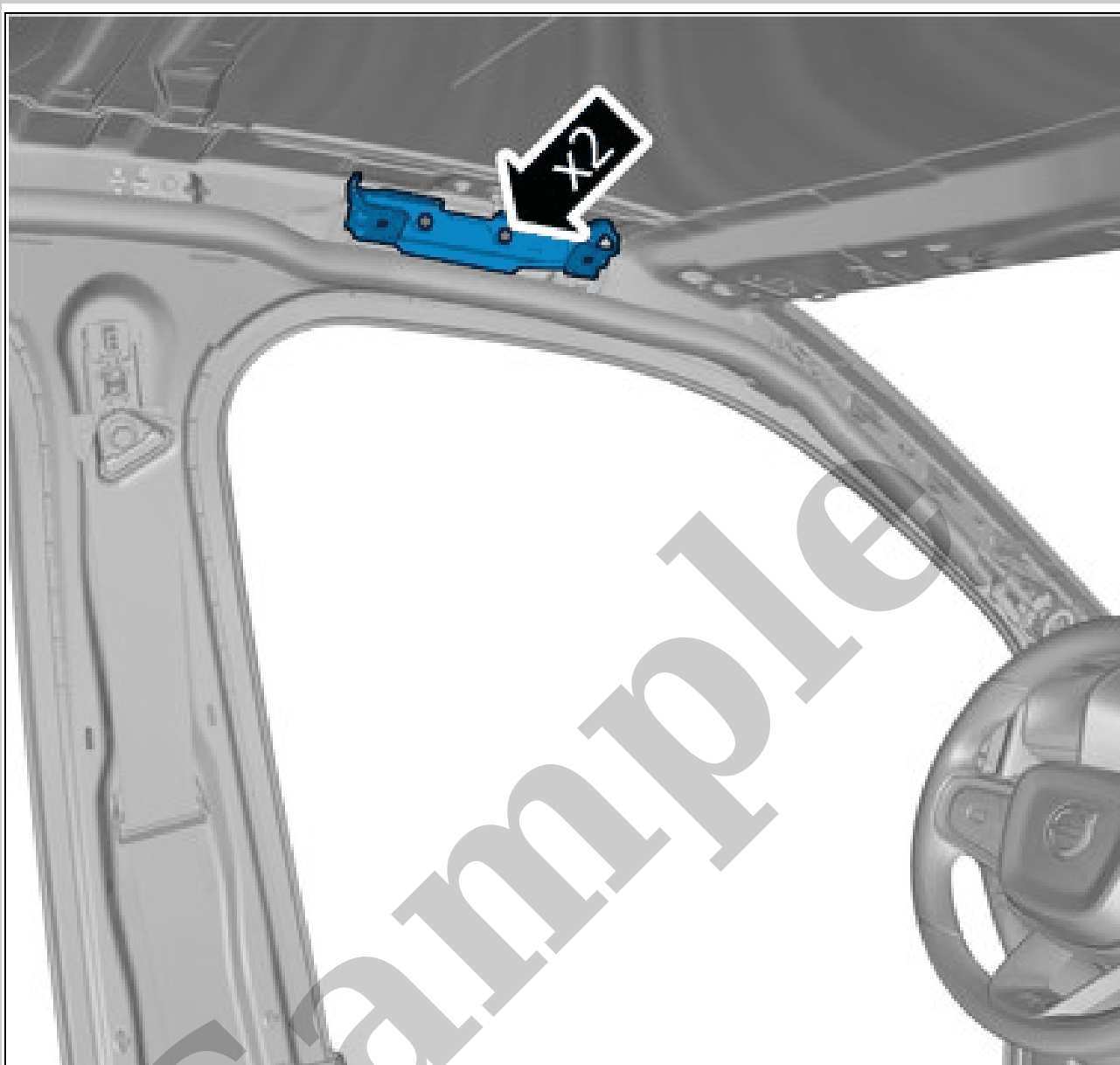
NOTE: *The graphic shows the back of the component before removal.*



Courtesy of VOLVO CARS CORPORATION

Loosen the screws.

VEHICLES WITH ROOF OPENING PANEL



Courtesy of VOLVO CARS CORPORATION

Torque: Entry handle bracket, to Body, 7Nm

Remove the screws.

Remove the marked part.

Dismantle the connector ignition cable. Refer to: IGNITER WIRE CONNECTOR