

# Your Ultimate Source for OEM Repair Manuals

FactoryManuals.net is a great resource for anyone who wants to save money on repairs by doing their own work. The manuals provide detailed instructions and diagrams that make it easy to understand how to fix a vehicle.

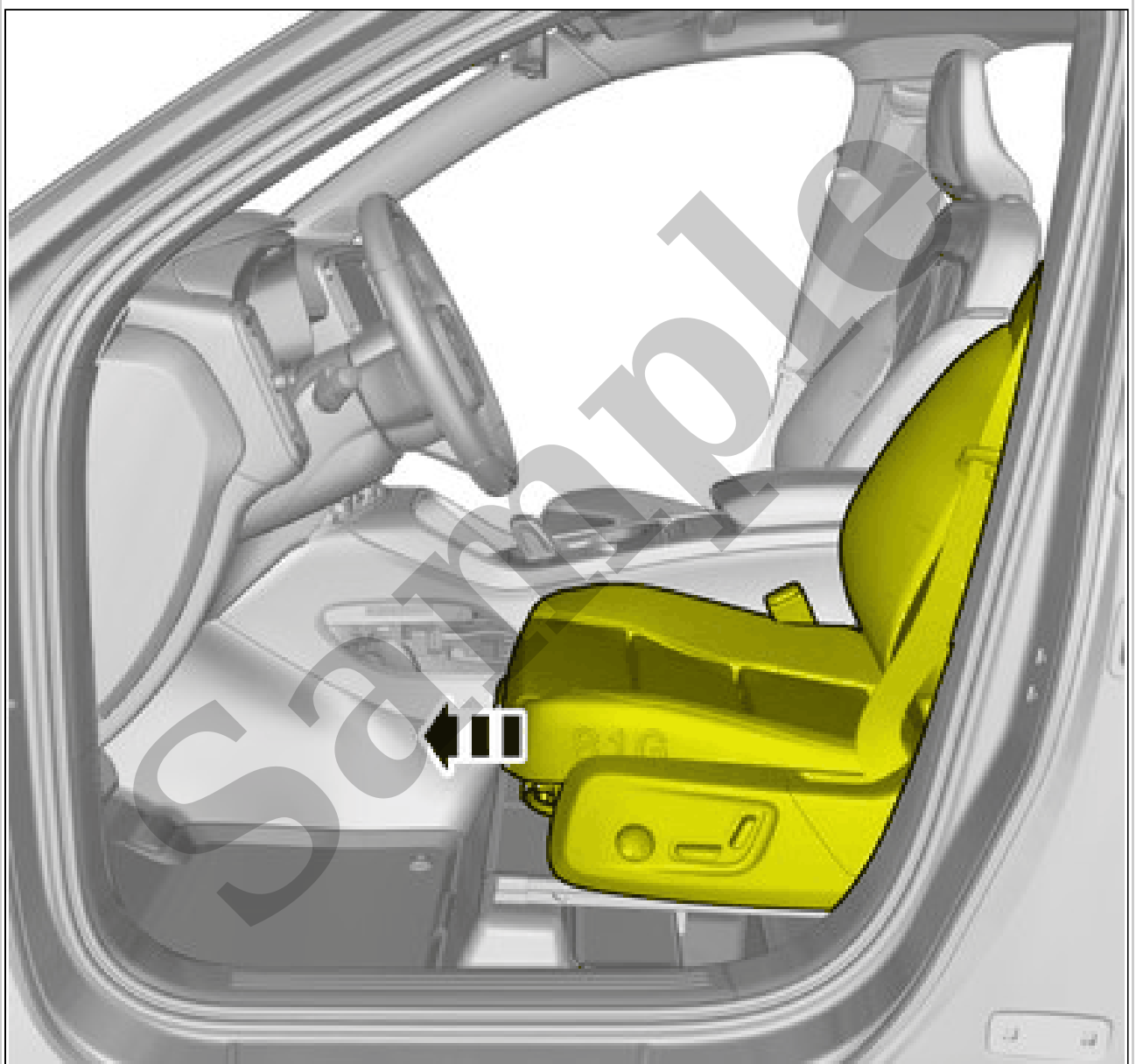
## 1996 VOLVO 850 OEM Service and Repair Workshop Manual

[Go to manual page](#)

**NOTE:** Removal steps in this procedure may contain installation details.

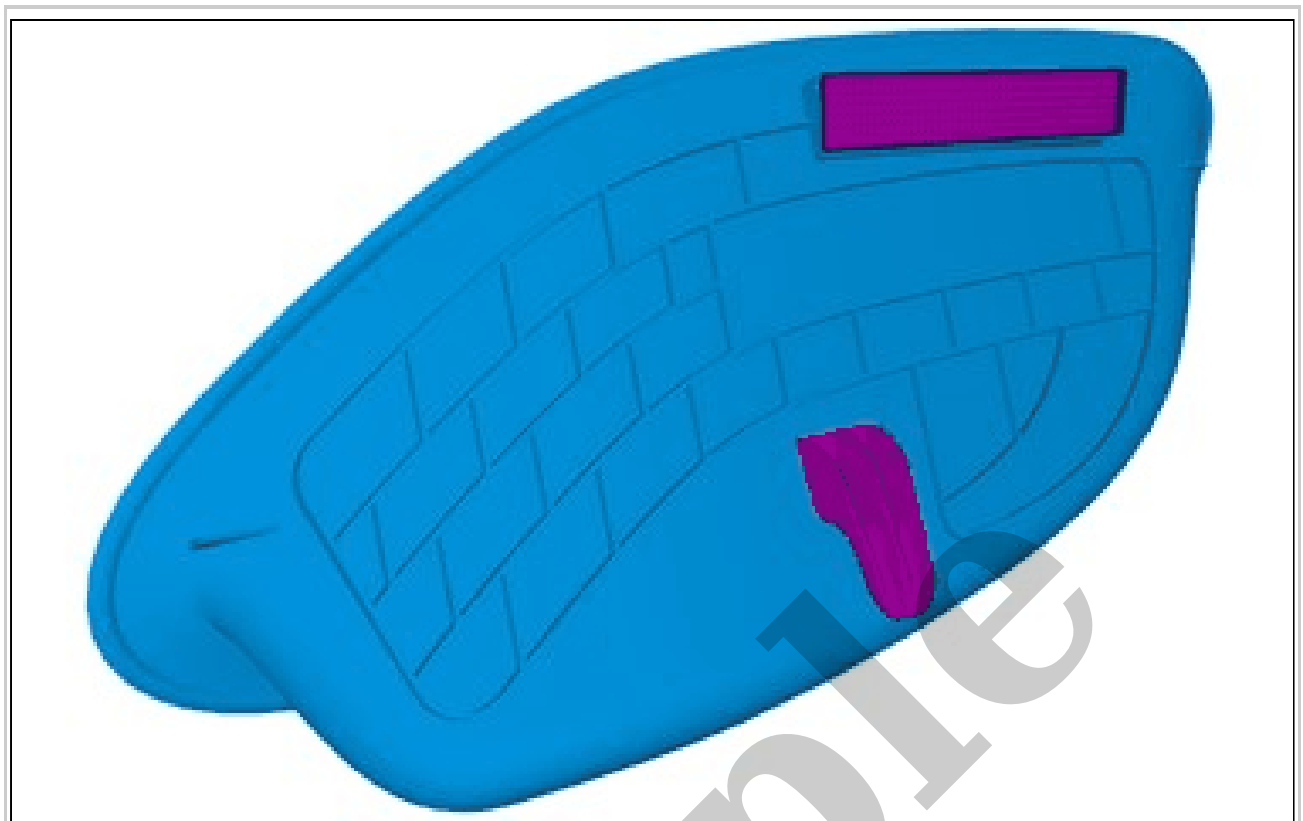
Follow instructions about safety information pyrotechnical system. Refer to: SAFETY INFORMATION PYROTECHNICAL SYSTEMS

See information regarding the handling of non-deployed pyrotechnical parts. Refer to: HANDLING NON-DEPLOYED PYROTECHNICAL PART



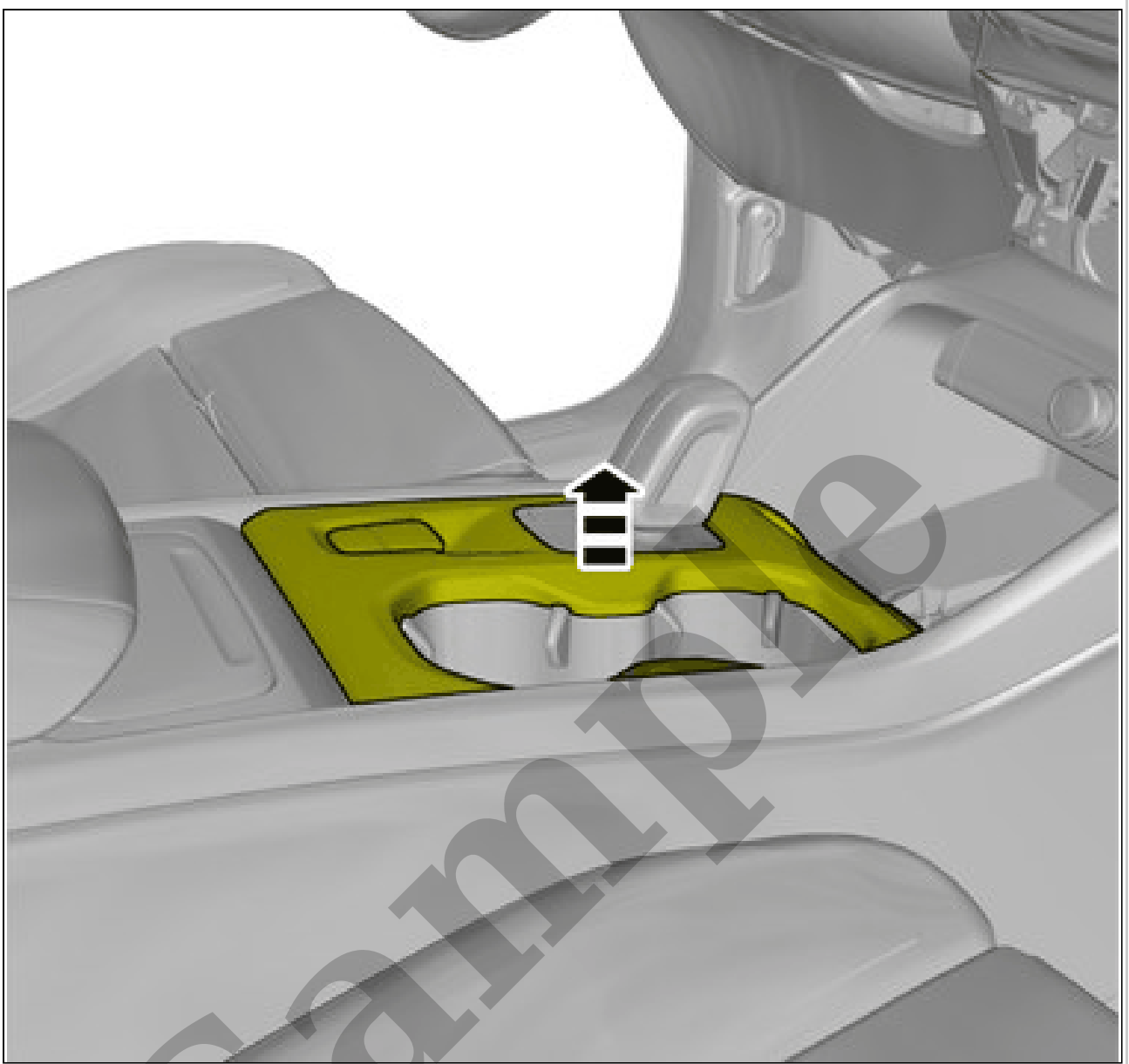
Courtesy of VOLVO CARS CORPORATION

On both sides.



Courtesy of VOLVO CARS CORPORATION

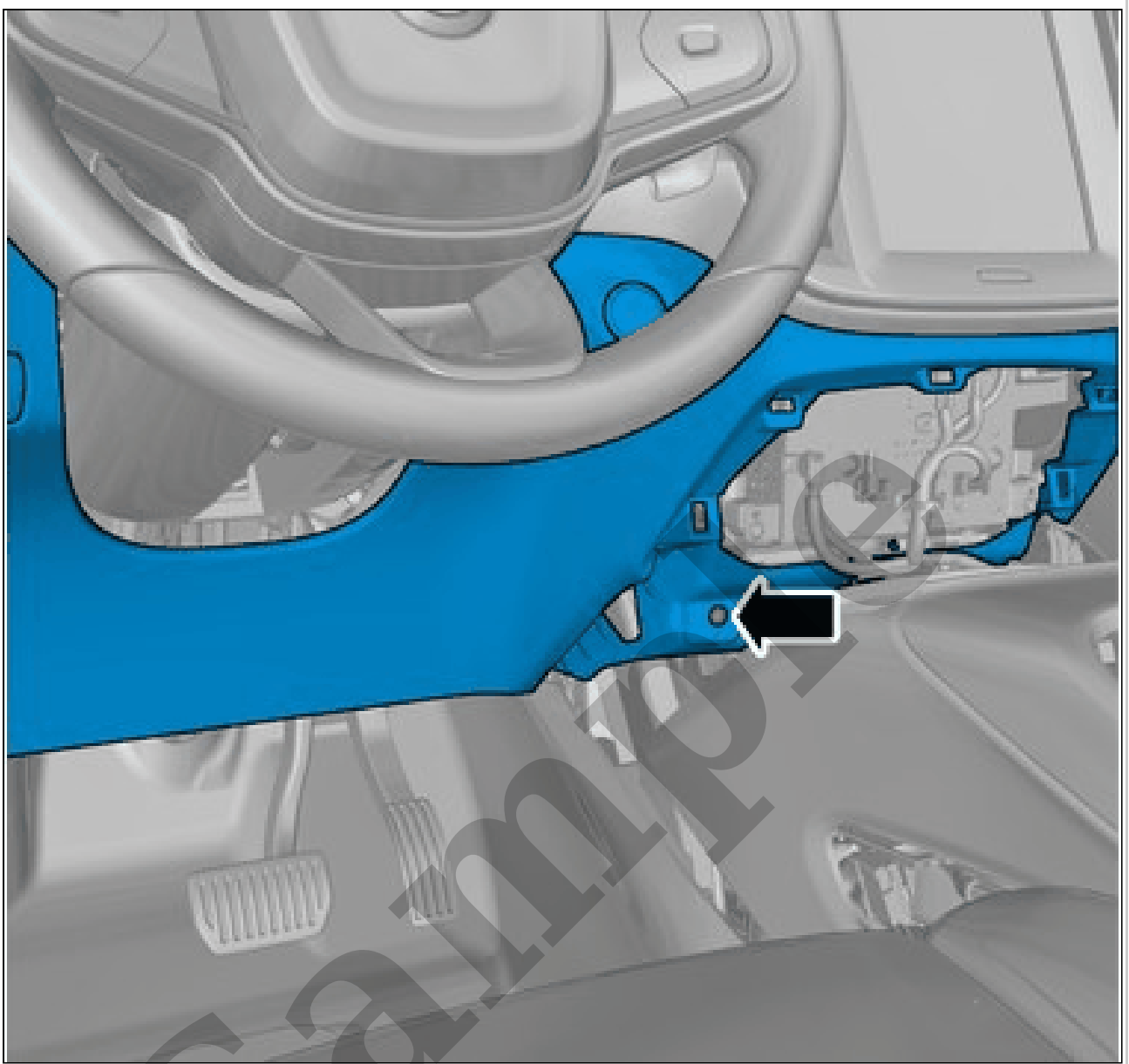
**NOTE:** *The graphic shows the back of the component before removal.*



Courtesy of VOLVO CARS CORPORATION

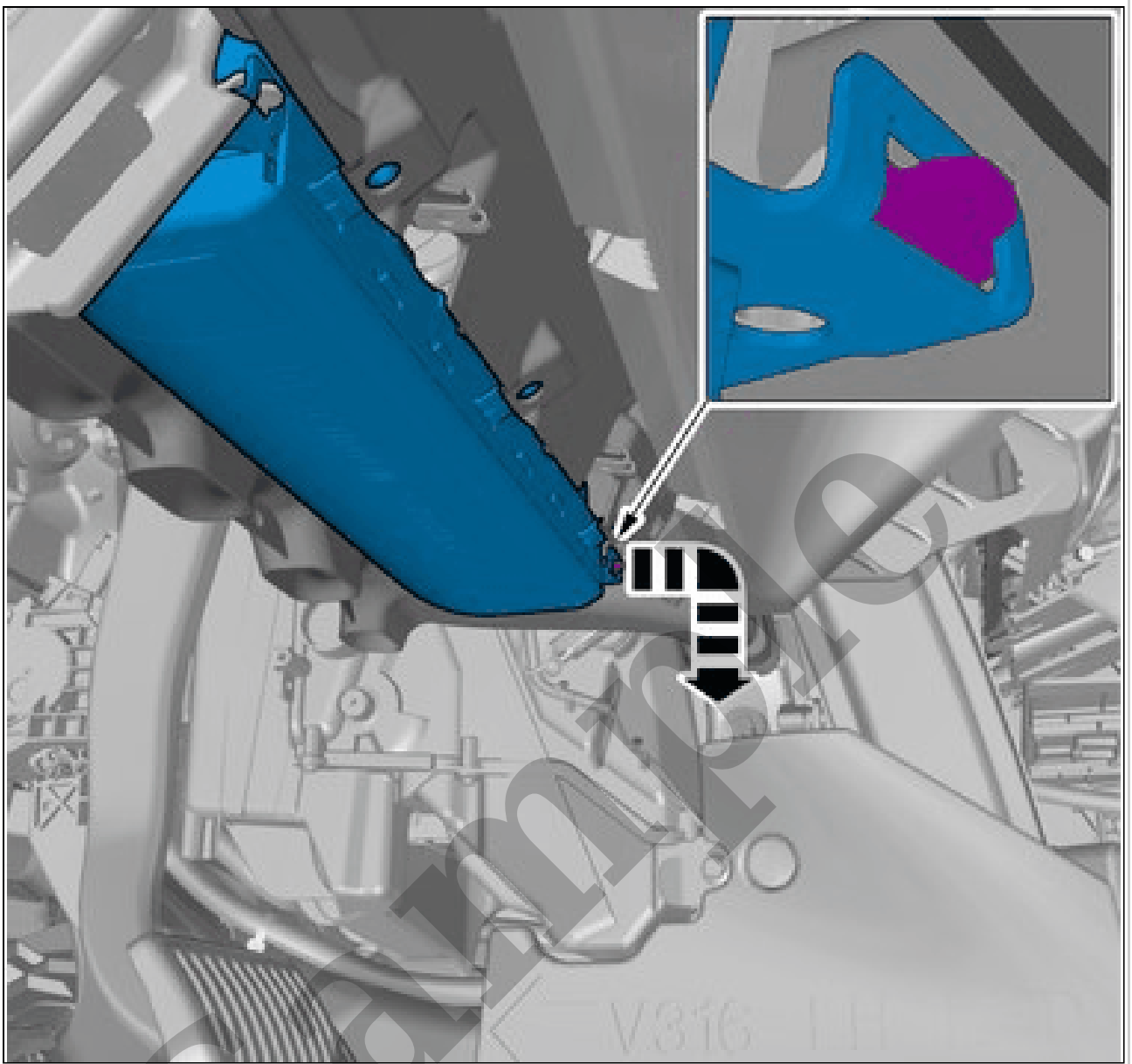
Loosen the marked detail.

**Use:** Interior trim remover



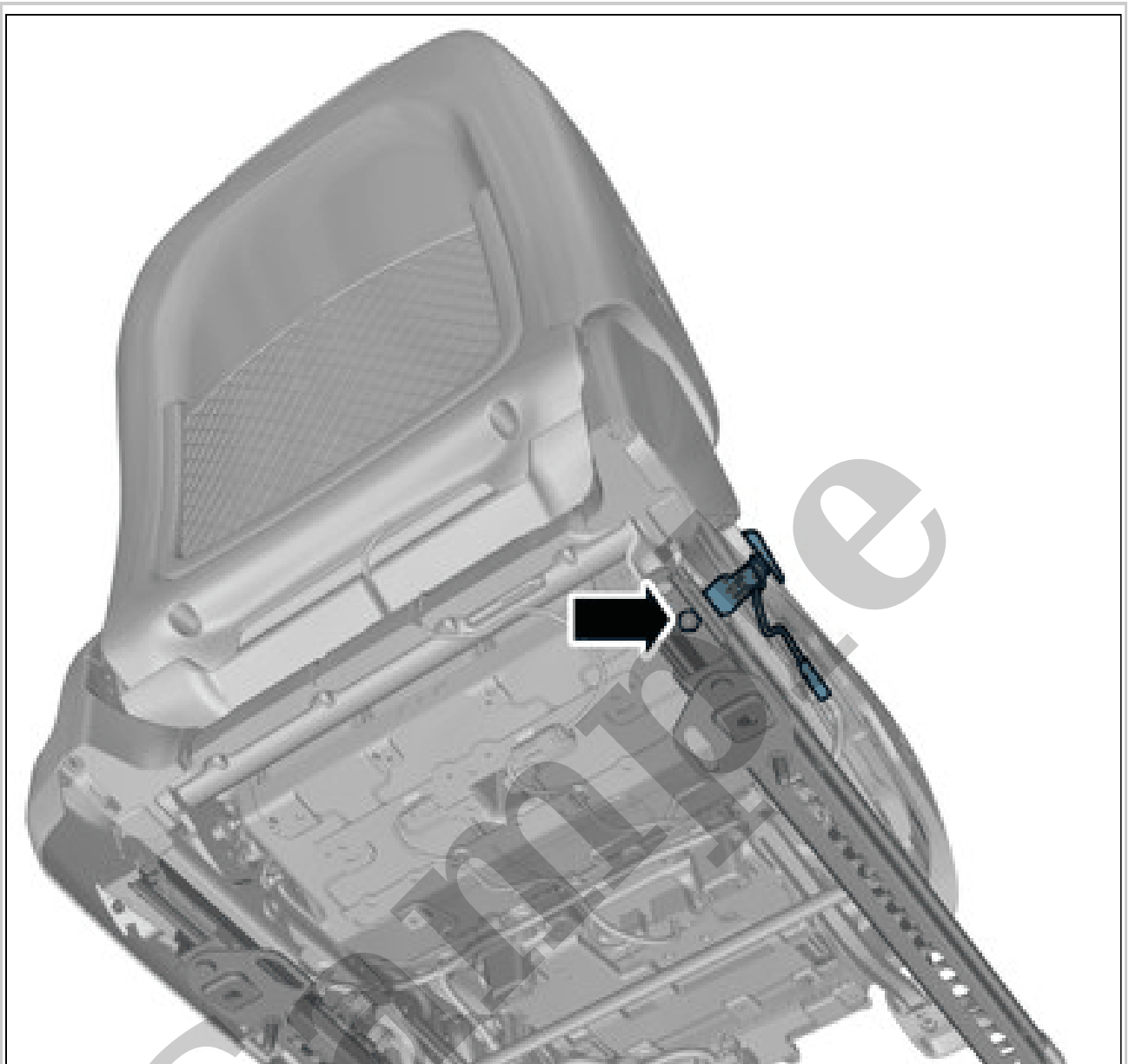
Courtesy of VOLVO CARS CORPORATION

Remove the screw.



Courtesy of VOLVO CARS CORPORATION

Remove the marked part.



Courtesy of VOLVO CARS CORPORATION

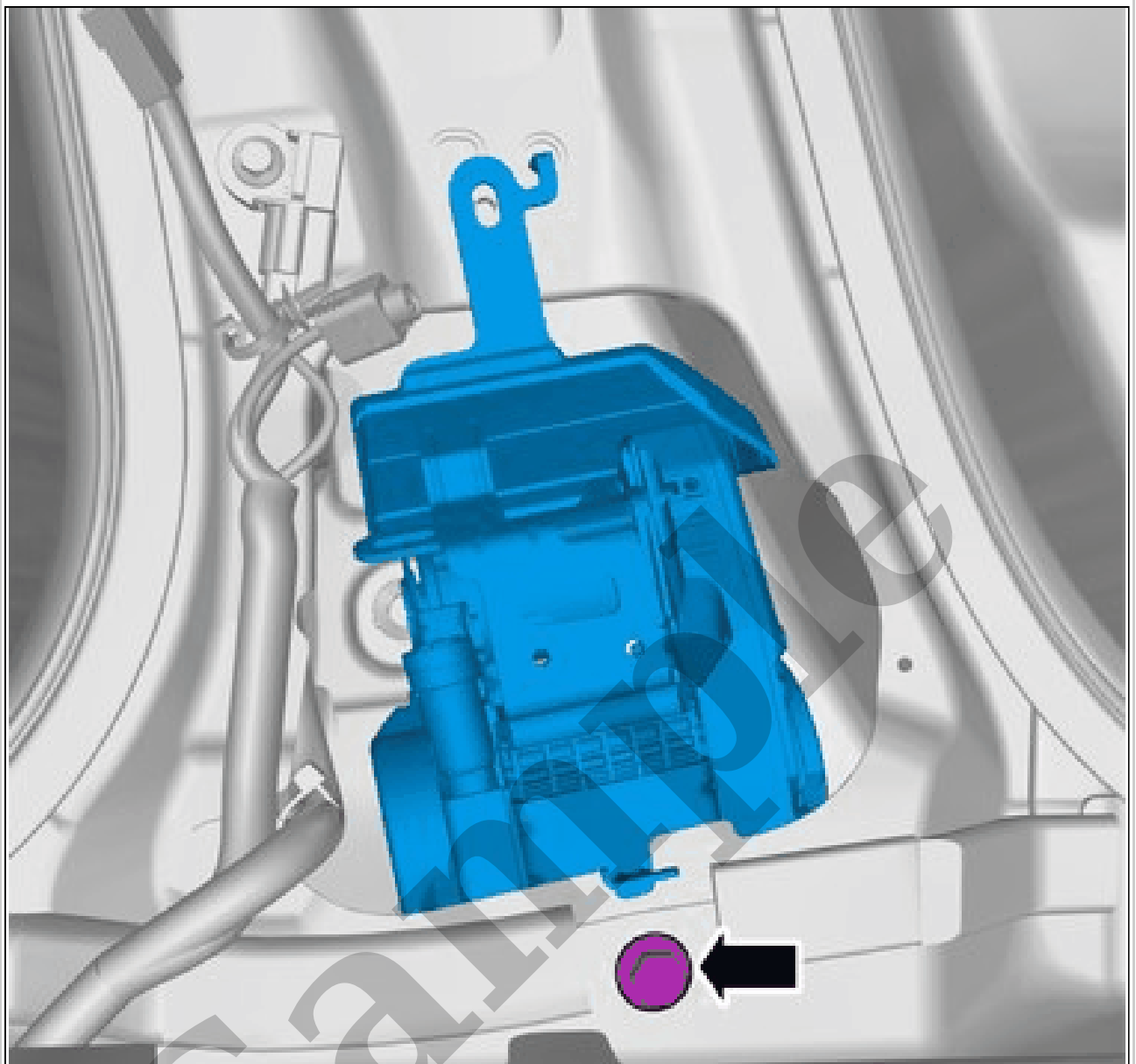
**Torque:** Buckle safety belt to seat, 32Nm  
Remove the screw.

## **FRONT SAFETY BELT BUCKLE > FRONT SAFETY BELT BUCKLE [2018-2022] > INSTALLATION**

To install, reverse the removal procedure.

## **FRONT SAFETY BELT RETRACTOR > FRONT SAFETY BELT RETRACTOR [2018-2022] > REMOVAL AND INSTALLATION**

### **REMOVAL**



Courtesy of VOLVO CARS CORPORATION

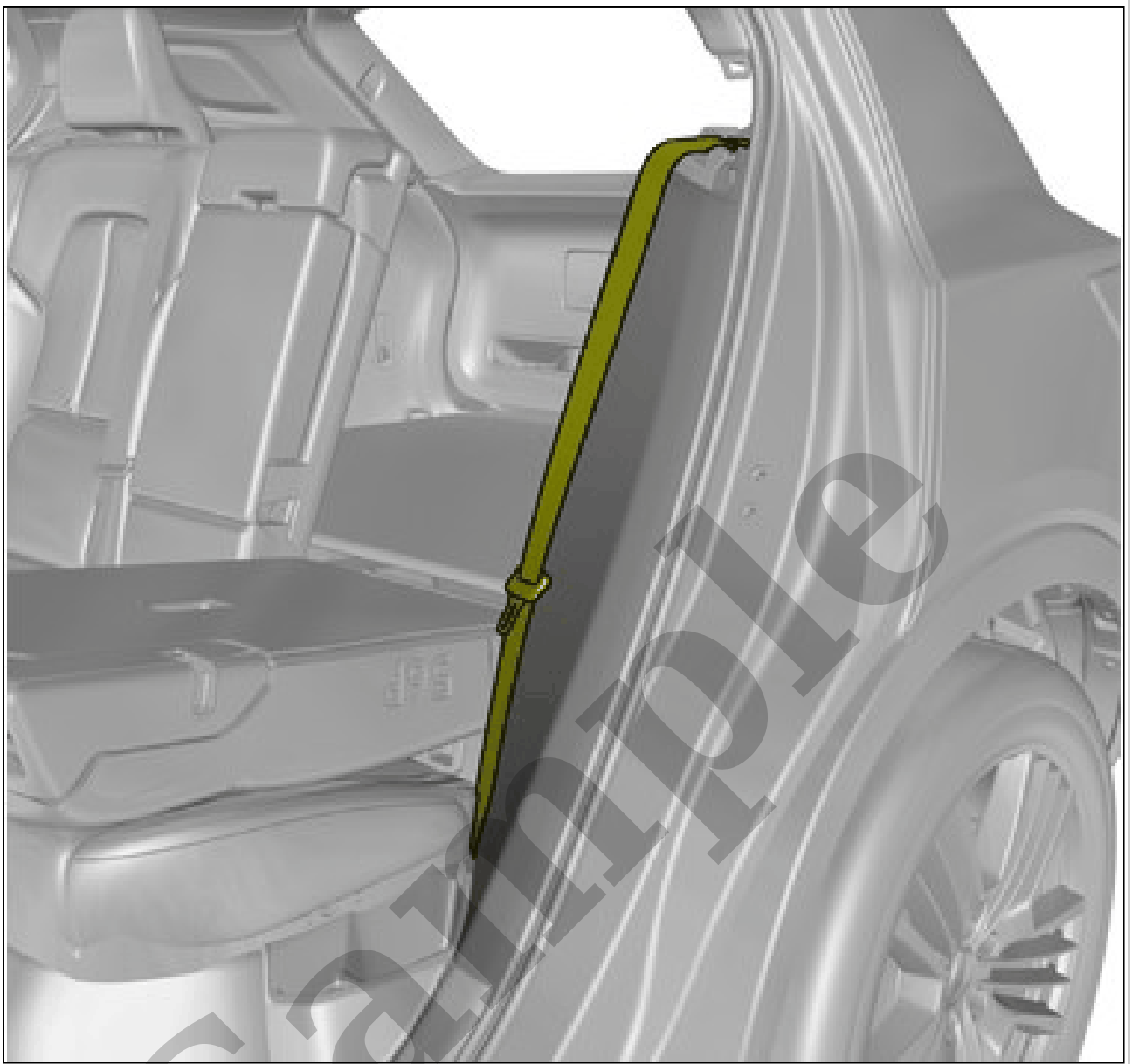
**Torque:** Safety belt retractor front to body, 40Nm  
Remove the screw.





Courtesy of VOLVO CARS CORPORATION

Loosen the marked detail.



Courtesy of VOLVO CARS CORPORATION

Fold marked part aside.