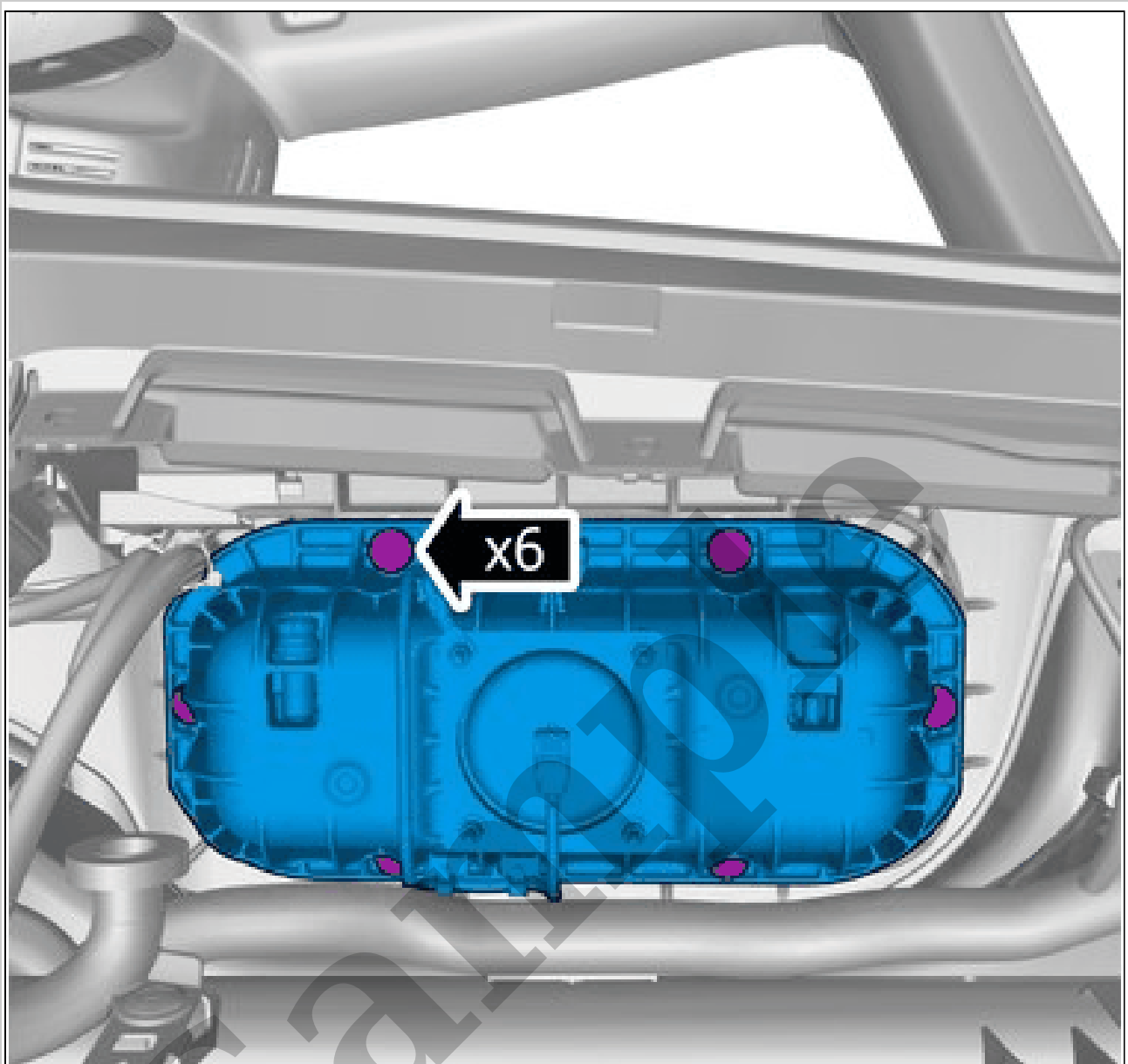


Your Ultimate Source for OEM Repair Manuals

FactoryManuals.net is a great resource for anyone who wants to save money on repairs by doing their own work. The manuals provide detailed instructions and diagrams that make it easy to understand how to fix a vehicle.

1996 VOLVO 850 Estate OEM Service and Repair Workshop Manual

[Go to manual page](#)

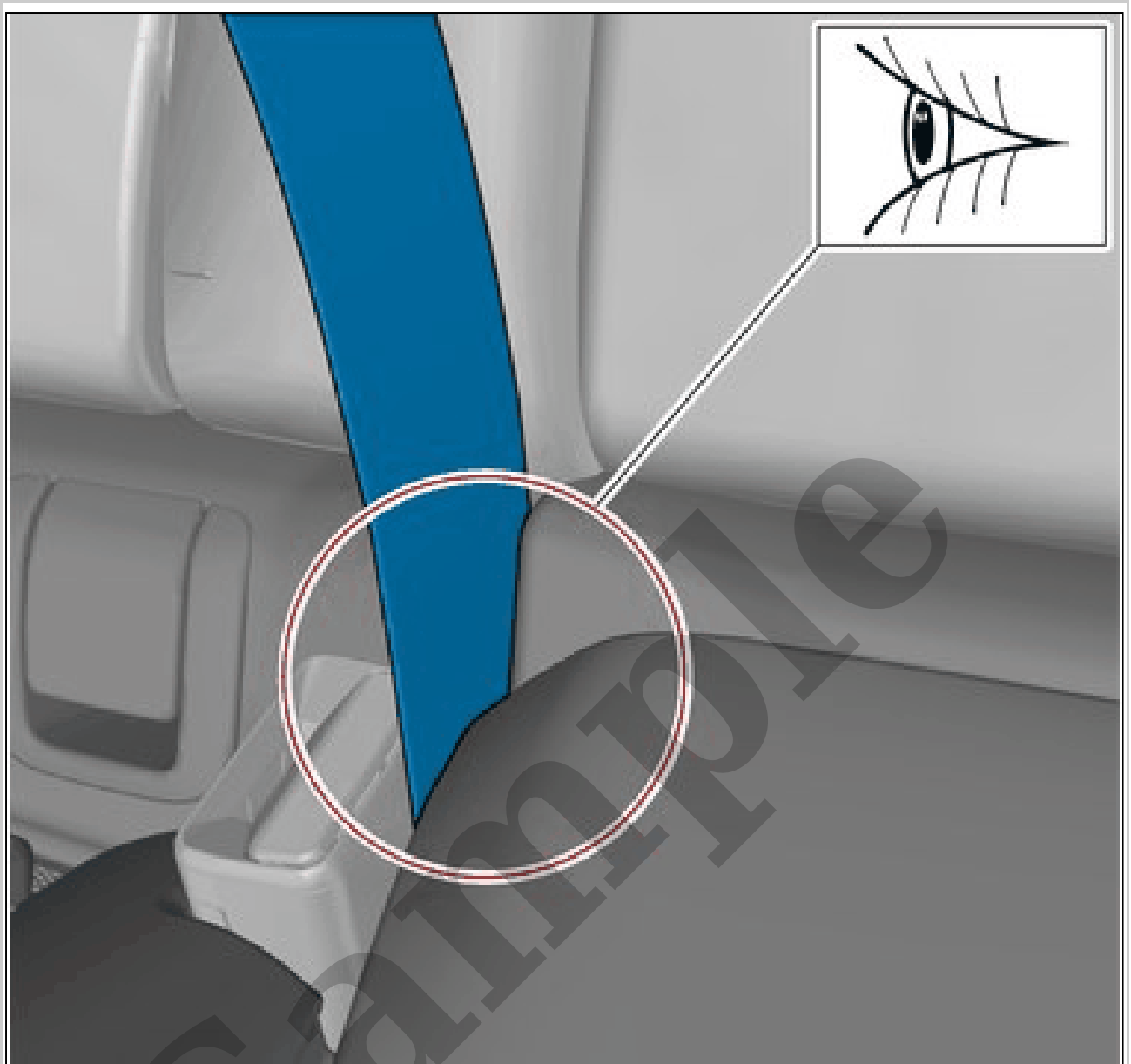


Courtesy of VOLVO CARS CORPORATION

Torque: Airbag, to Dash board, 9Nm
Remove the screws.
Remove the marked part.

AIRBAG, PASSENGER SIDE > AIRBAG, PASSENGER SIDE [2018-2022] > INSTALLATION

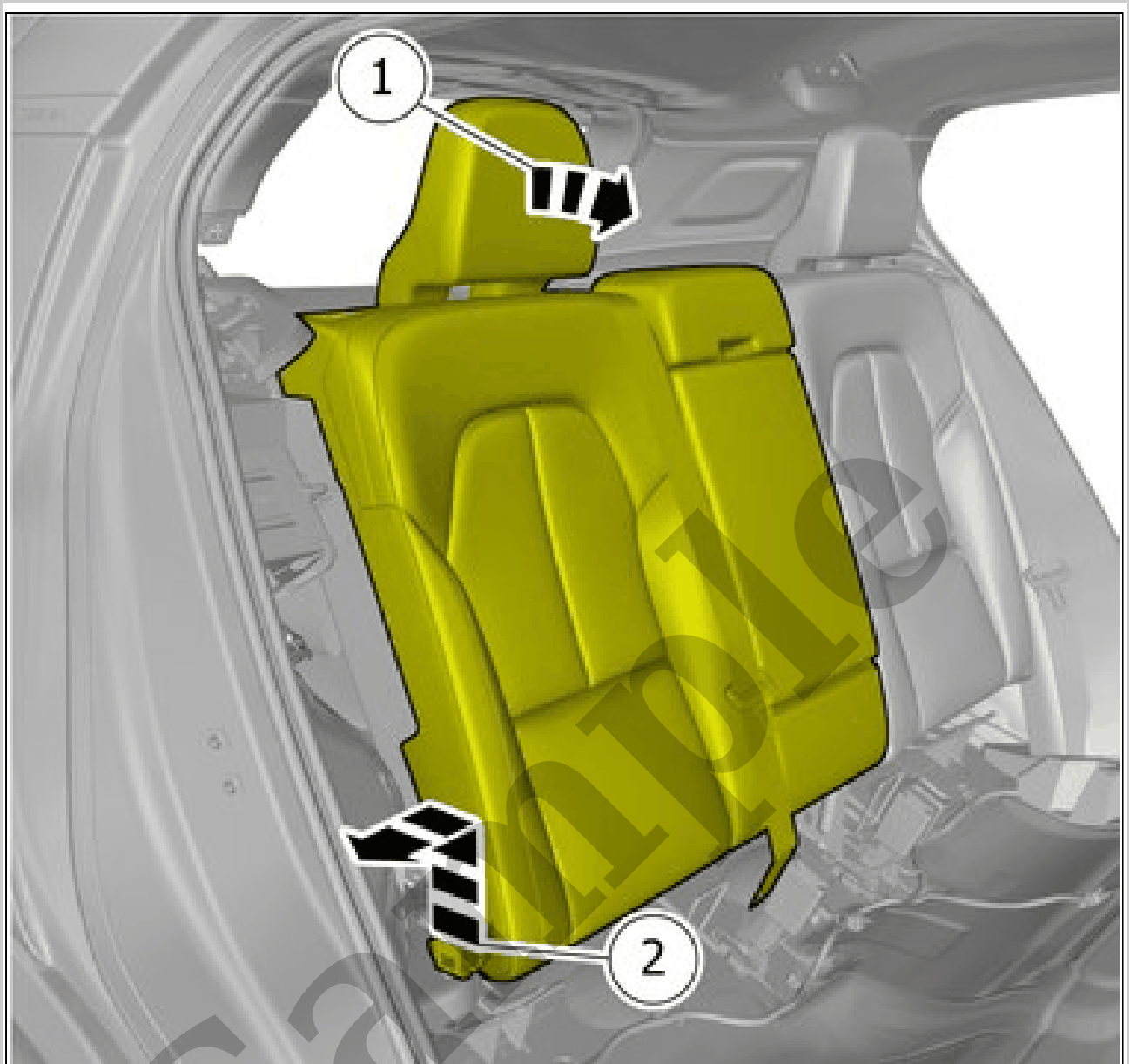
To install, reverse the removal procedure.
Perform supplemental restraint system (SRS), post check. Refer to: SUPPLEMENTARY RESTRAINT SYSTEM



Courtesy of VOLVO CARS CORPORATION

NOTE: Note the correct location of the seat belt, which is shown in the graphic.

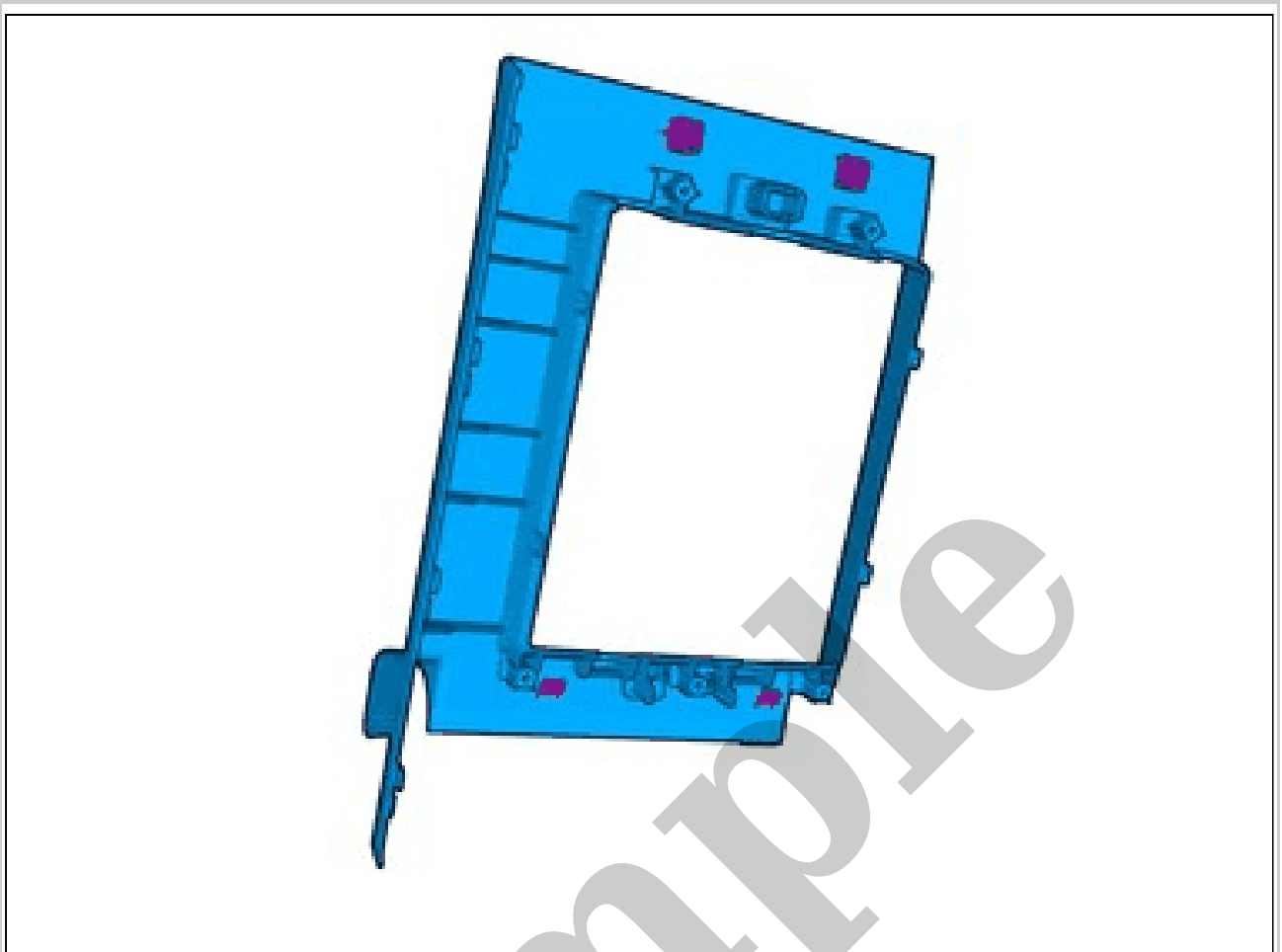
Set the vehicle to Inactive mode, described in user mode. Refer to: USAGE MODE
Remove the seat cushion, rear seat. Refer to: SEAT CUSHION, REAR SEAT



Courtesy of VOLVO CARS CORPORATION

NOTE: For this step, the help of another mechanic is needed.

Remove the marked part.



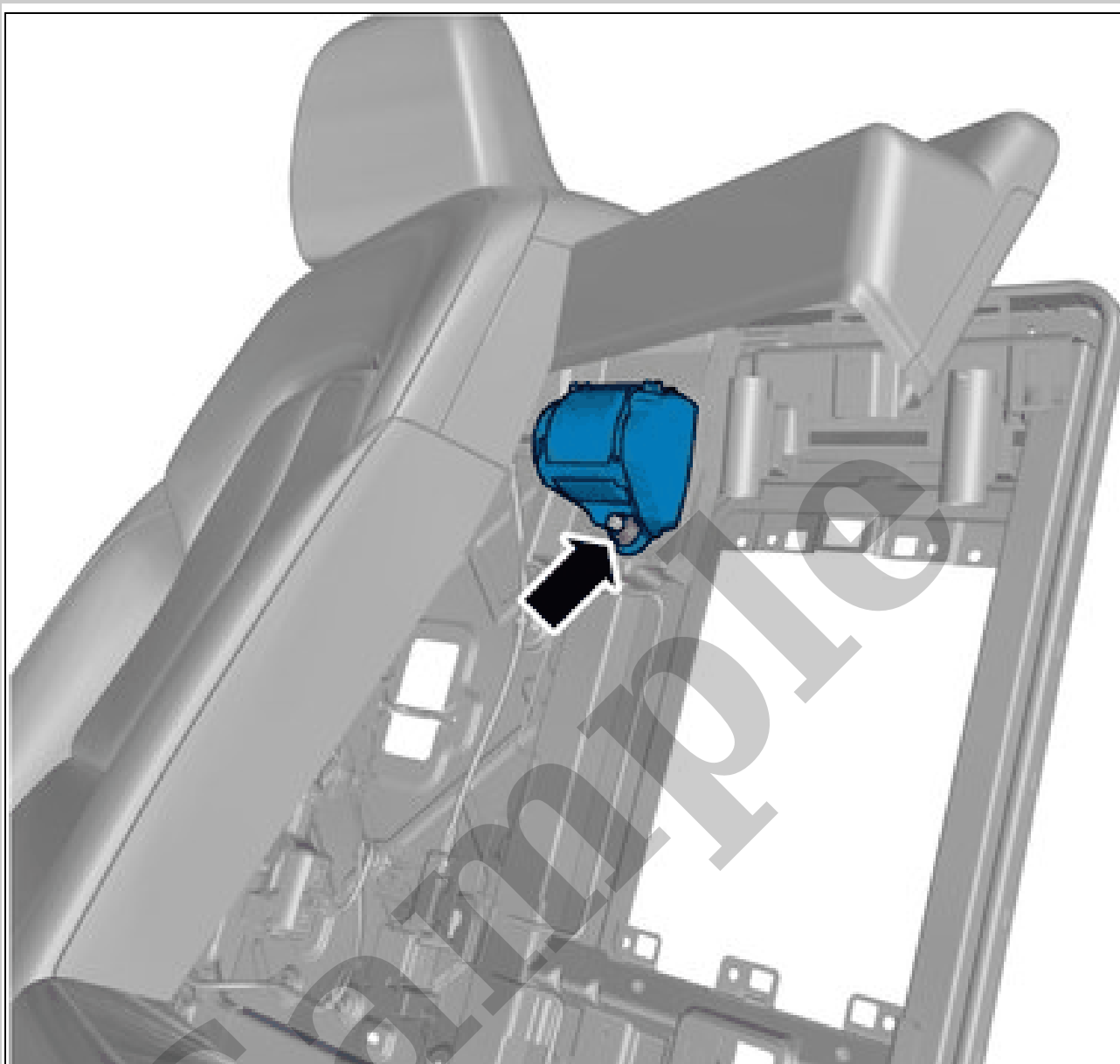
Courtesy of VOLVO CARS CORPORATION

NOTE: *The graphic shows the back of the component before removal.*



Courtesy of VOLVO CARS CORPORATION

Remove the screws.
Remove the marked part.



Courtesy of VOLVO CARS CORPORATION

NOTE: For this step, the help of another mechanic is needed.

Torque: Seat belt retractor, to Seat, 25Nm

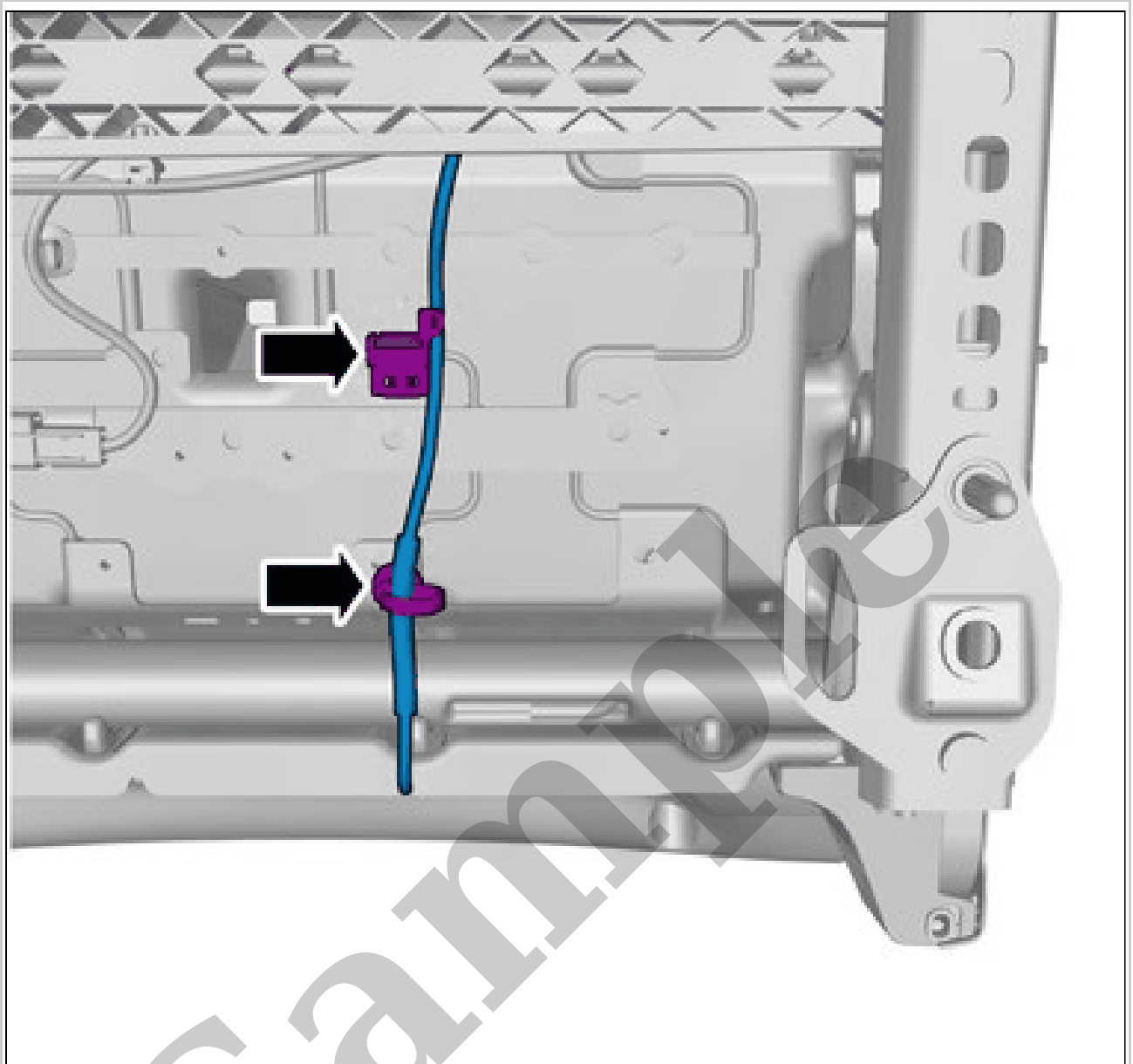
Remove the nut.

Remove the marked part.

INSTALLATION

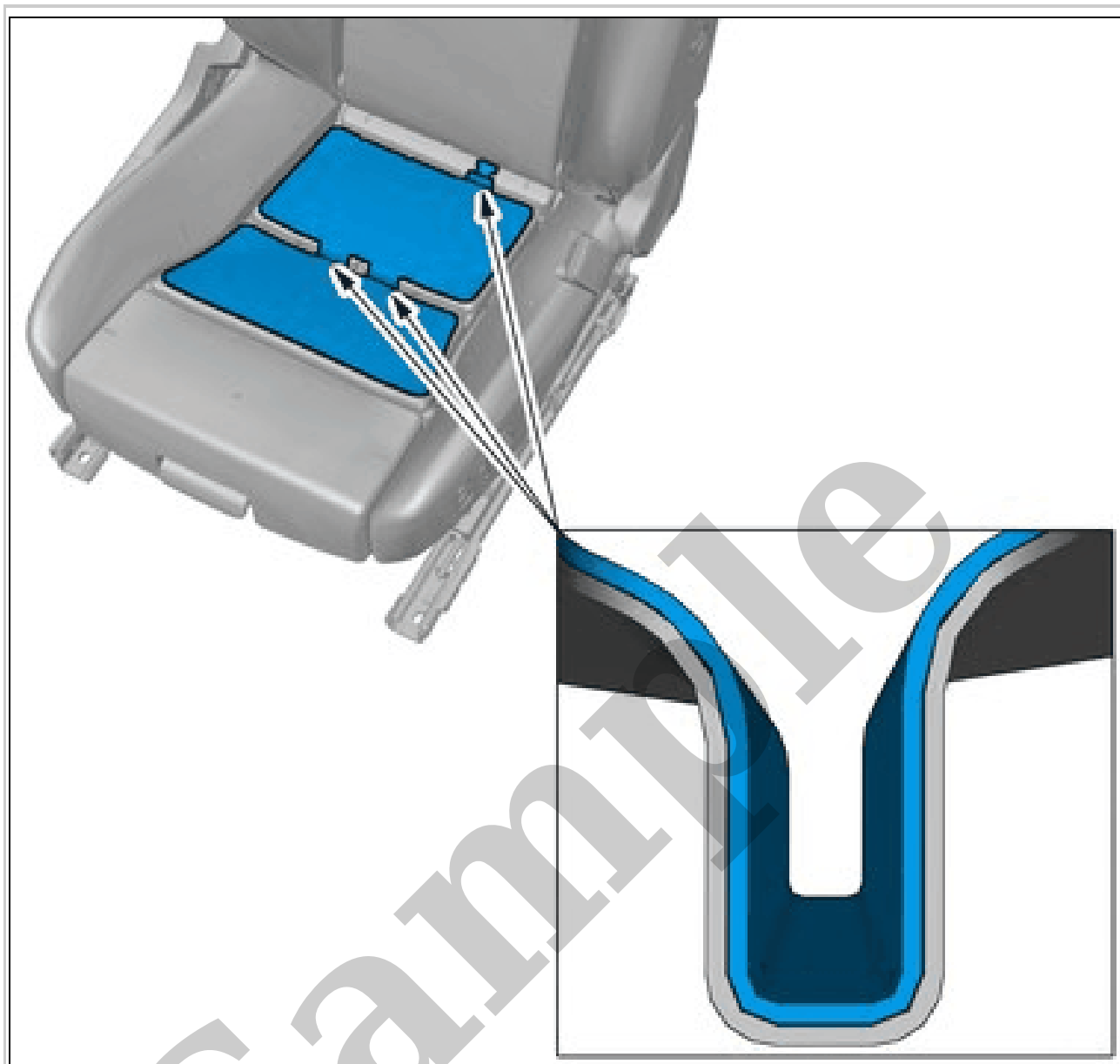
To install, reverse the removal procedure.

CHECK



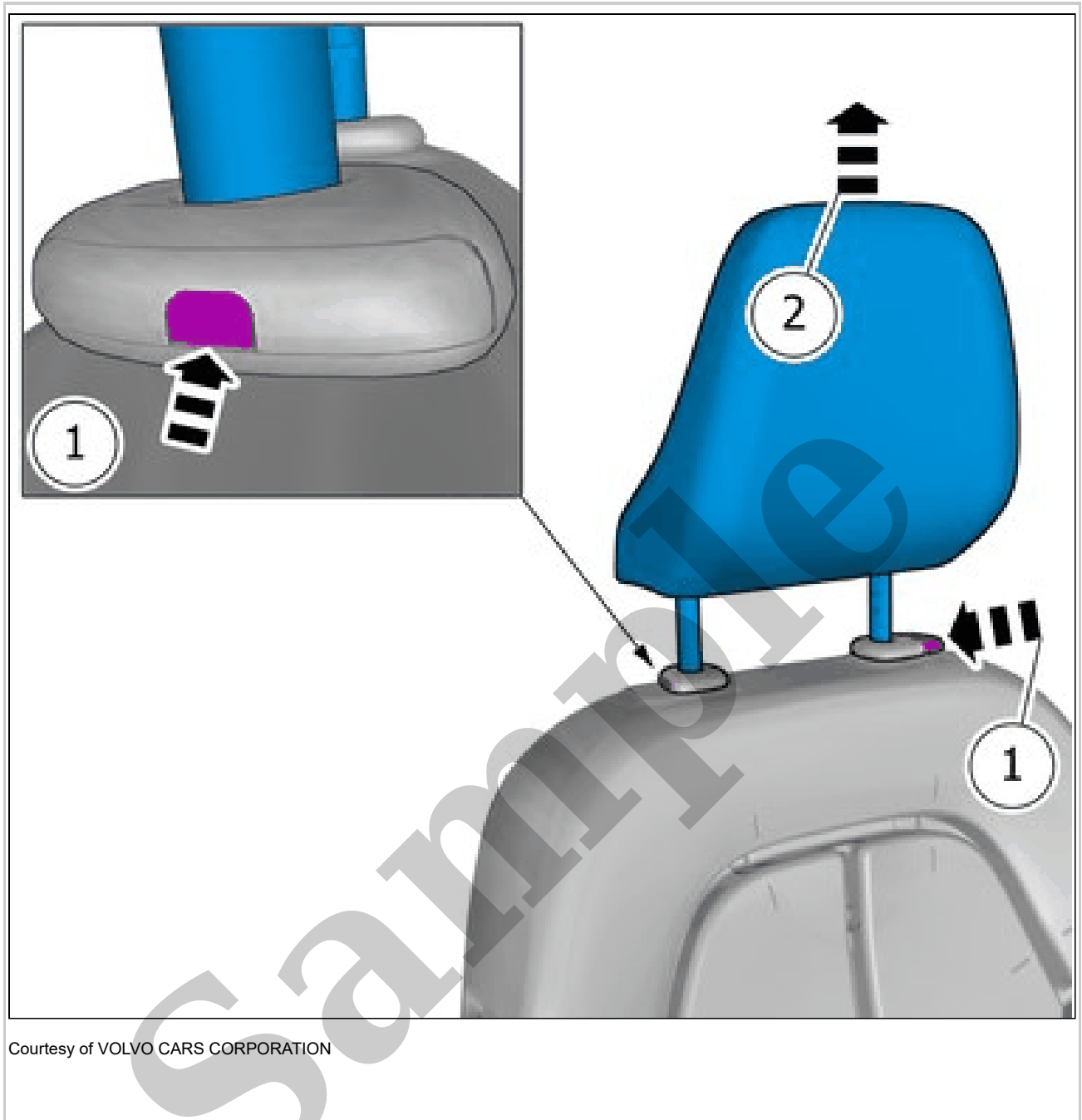
Courtesy of VOLVO CARS CORPORATION

Remove the cable harness clips.



Courtesy of VOLVO CARS CORPORATION

CAUTION: *Make sure the component is fitted as illustrated.*



Courtesy of VOLVO CARS CORPORATION

Depress the locking devices.
Remove the marked part.
The part is not to be reused.