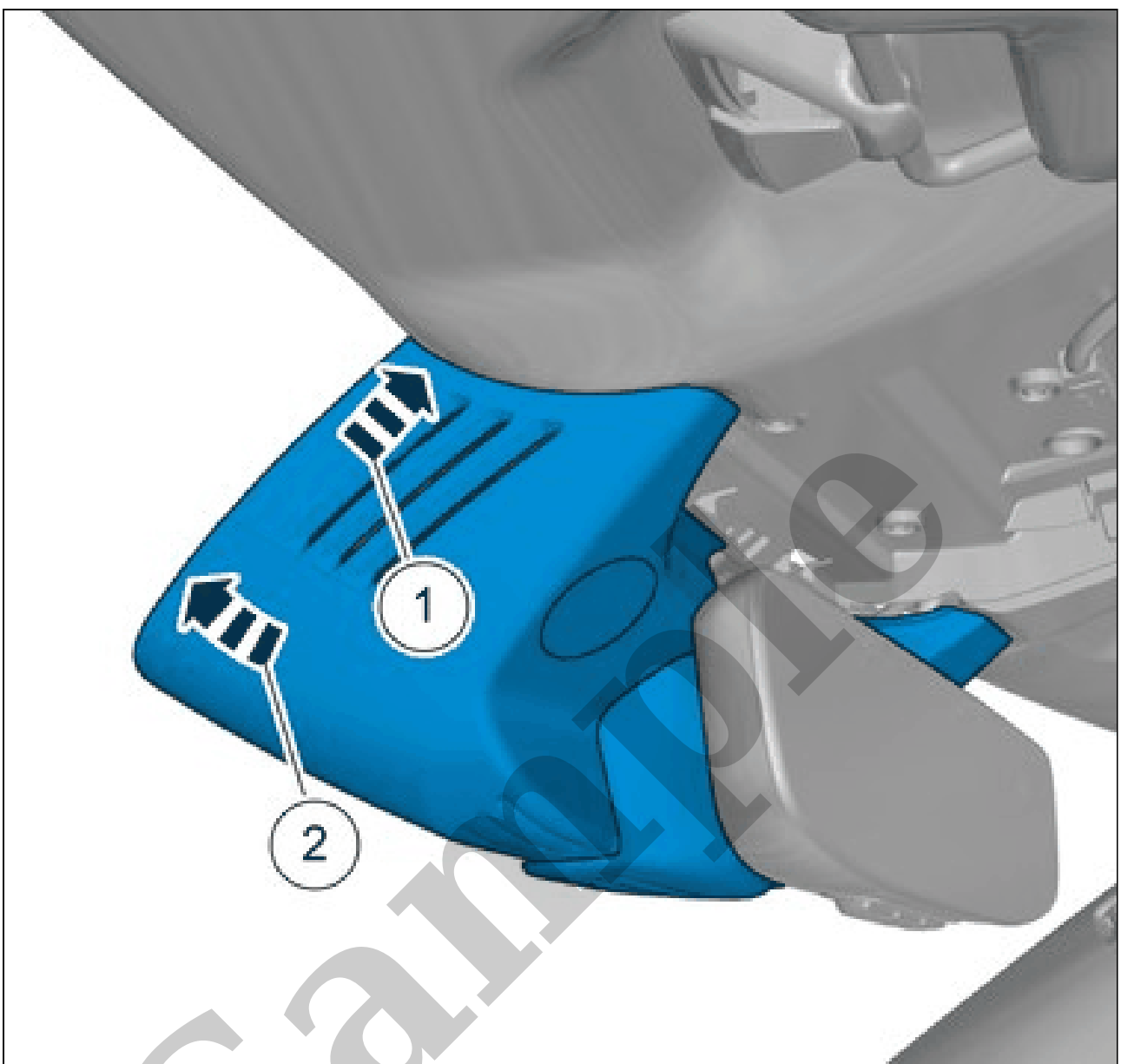


Your Ultimate Source for OEM Repair Manuals

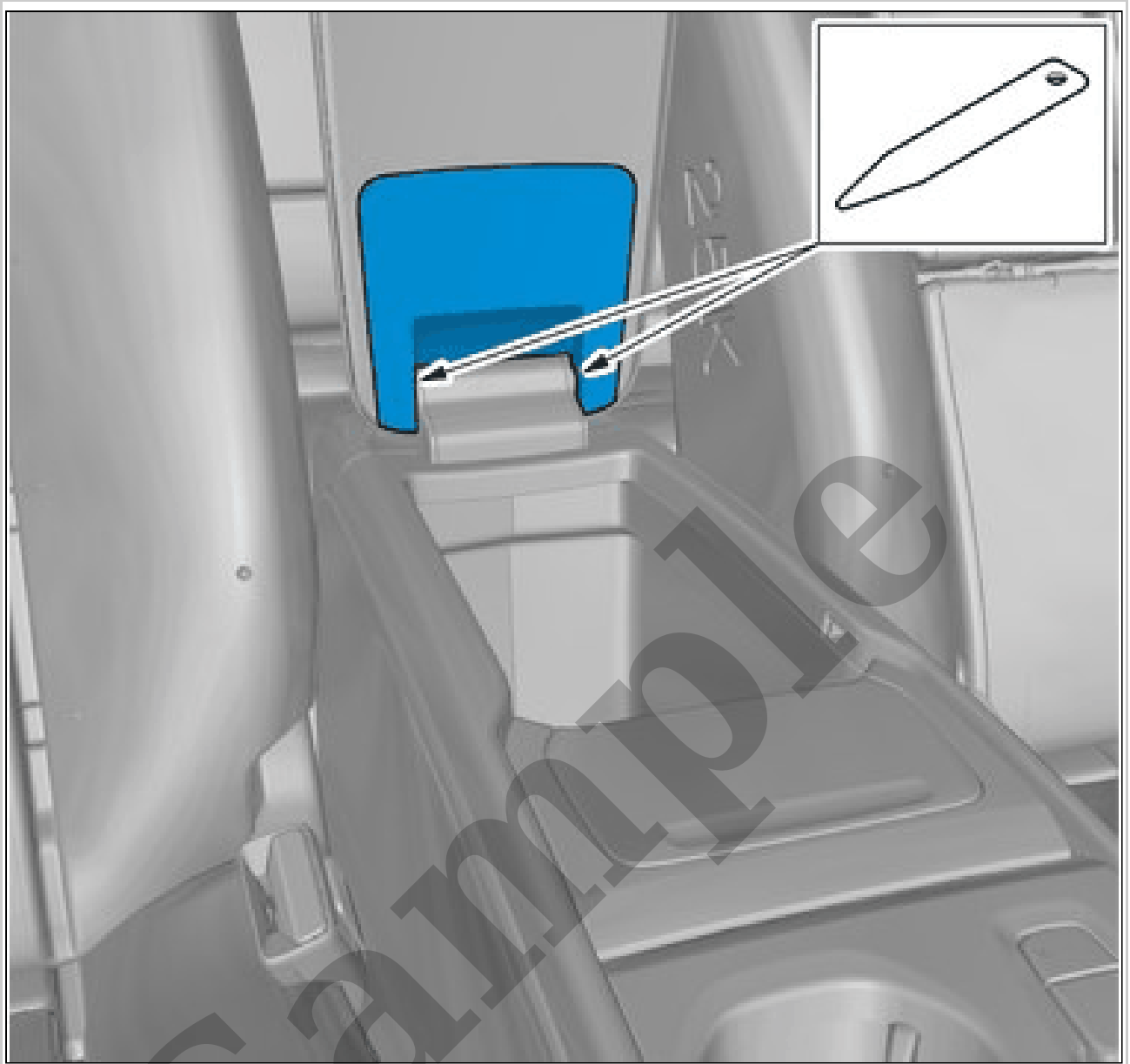
FactoryManuals.net is a great resource for anyone who wants to save money on repairs by doing their own work. The manuals provide detailed instructions and diagrams that make it easy to understand how to fix a vehicle.

1996 VOLVO 460 OEM Service and Repair Workshop Manual

[Go to manual page](#)

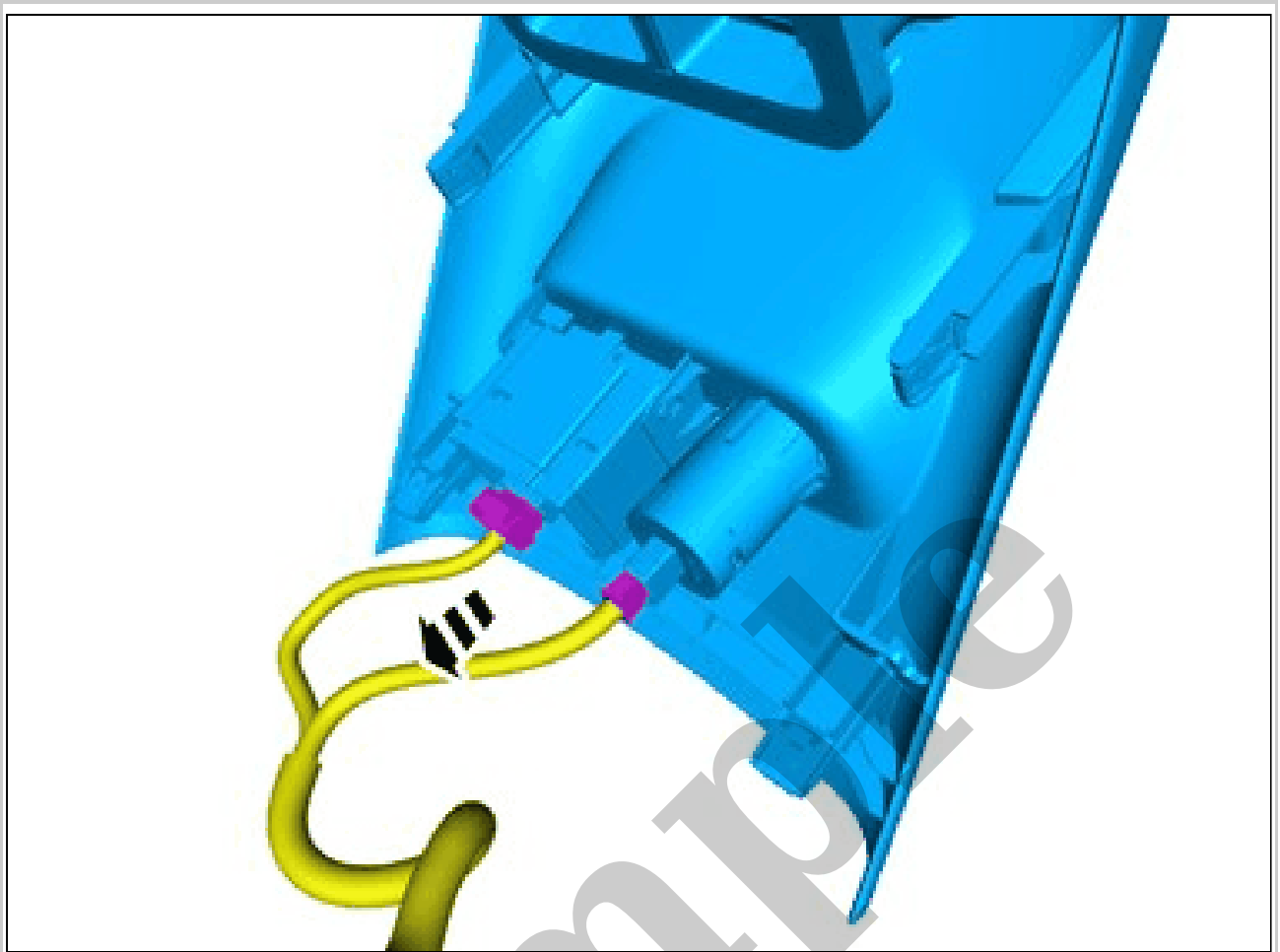


Courtesy of VOLVO CARS CORPORATION



Courtesy of VOLVO CARS CORPORATION

Remove the marked part.
Use: Interior trim remover

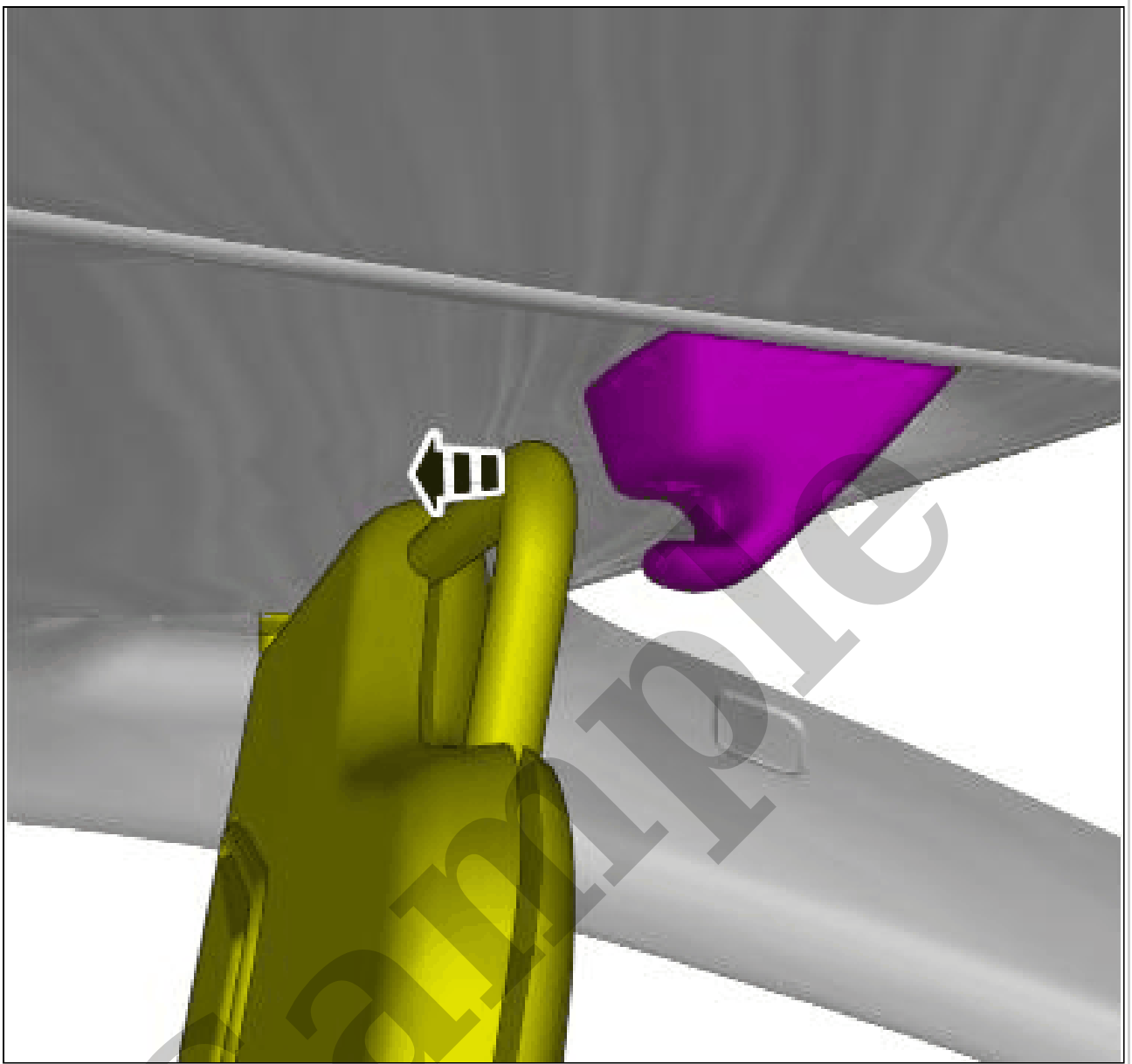


Courtesy of VOLVO CARS CORPORATION

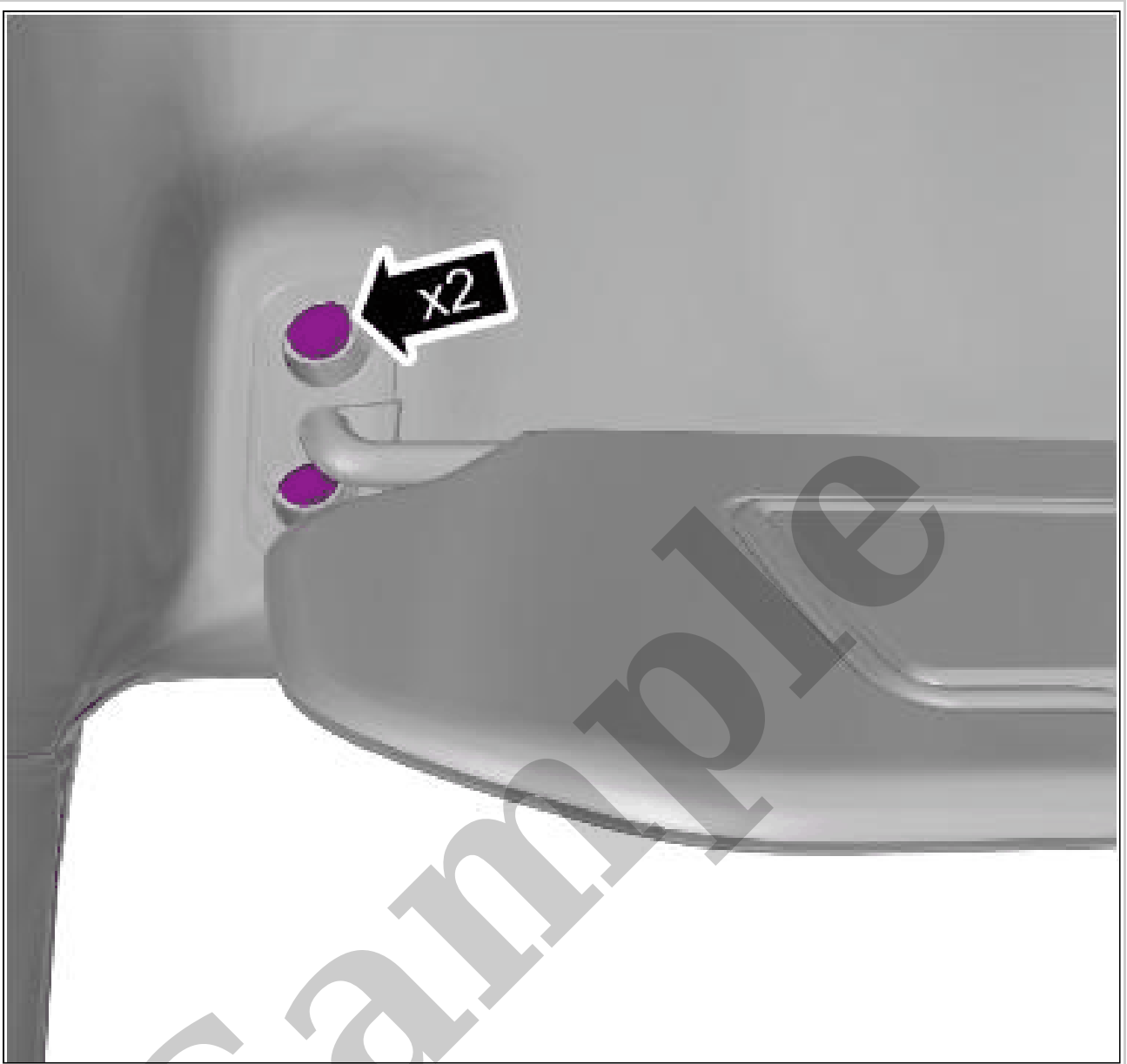
NOTE: *The number of connectors may vary depending on the vehicle's equipment level.*

Disconnect the connectors.
Remove the marked part.

TRANSFERRING COMPONENTS



Courtesy of VOLVO CARS CORPORATION

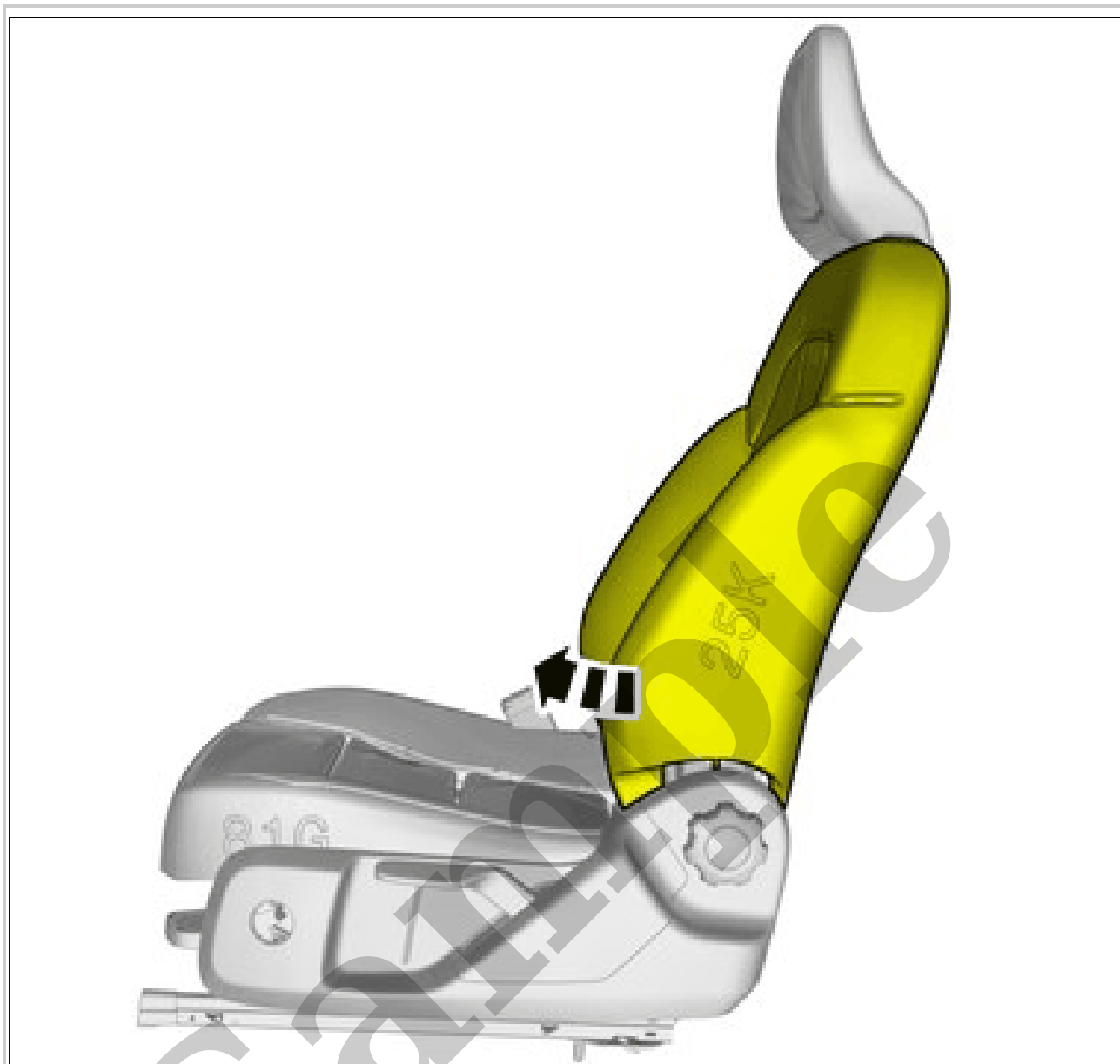


Courtesy of VOLVO CARS CORPORATION

Remove the screws.

Torque: M5, 5Nm

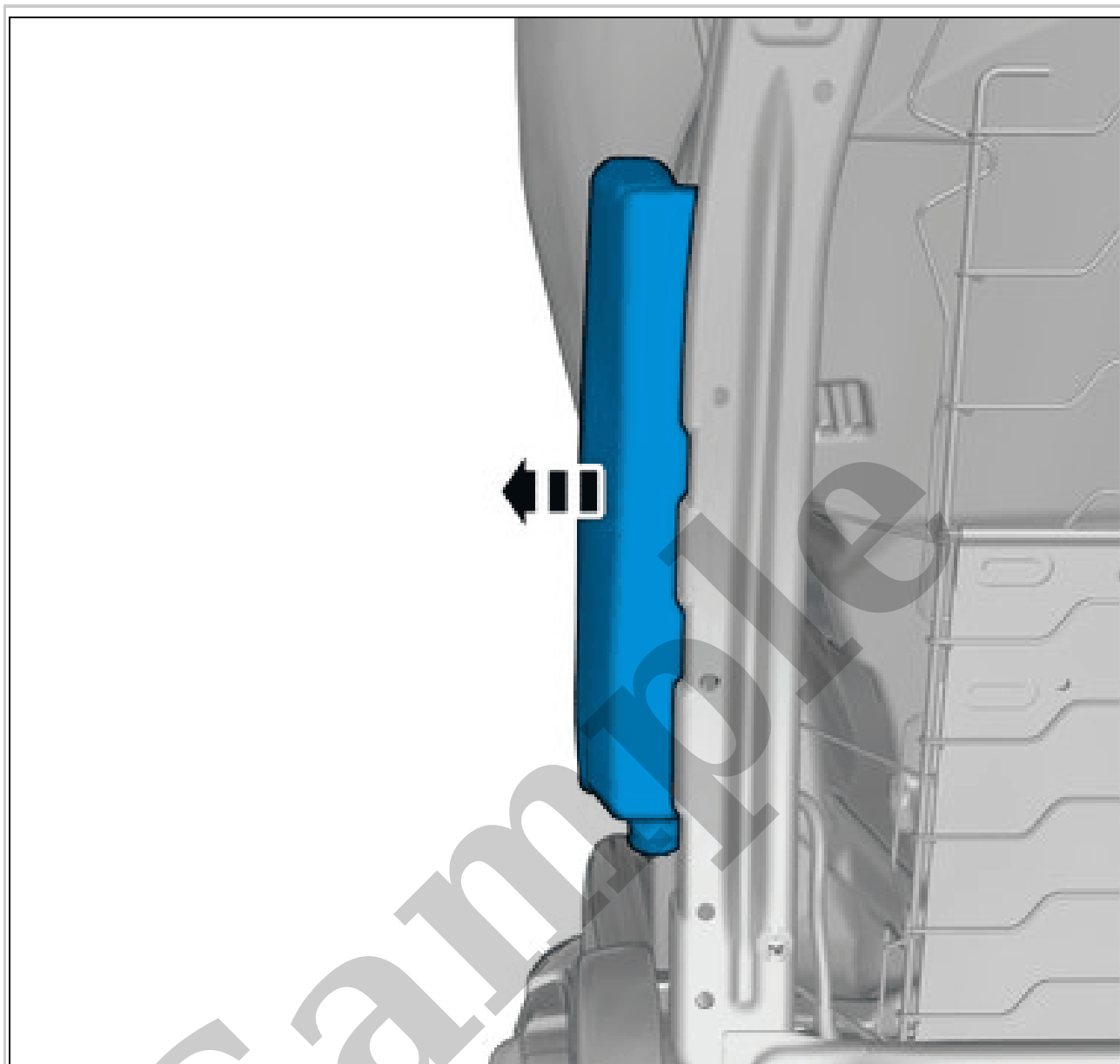
Detach the relevant side headlining. Refer to: HEADLINING



Courtesy of VOLVO CARS CORPORATION

Fold marked part aside.

Dismantle the connector ignition cable. Refer to: IGNITER WIRE CONNECTOR



Courtesy of VOLVO CARS CORPORATION

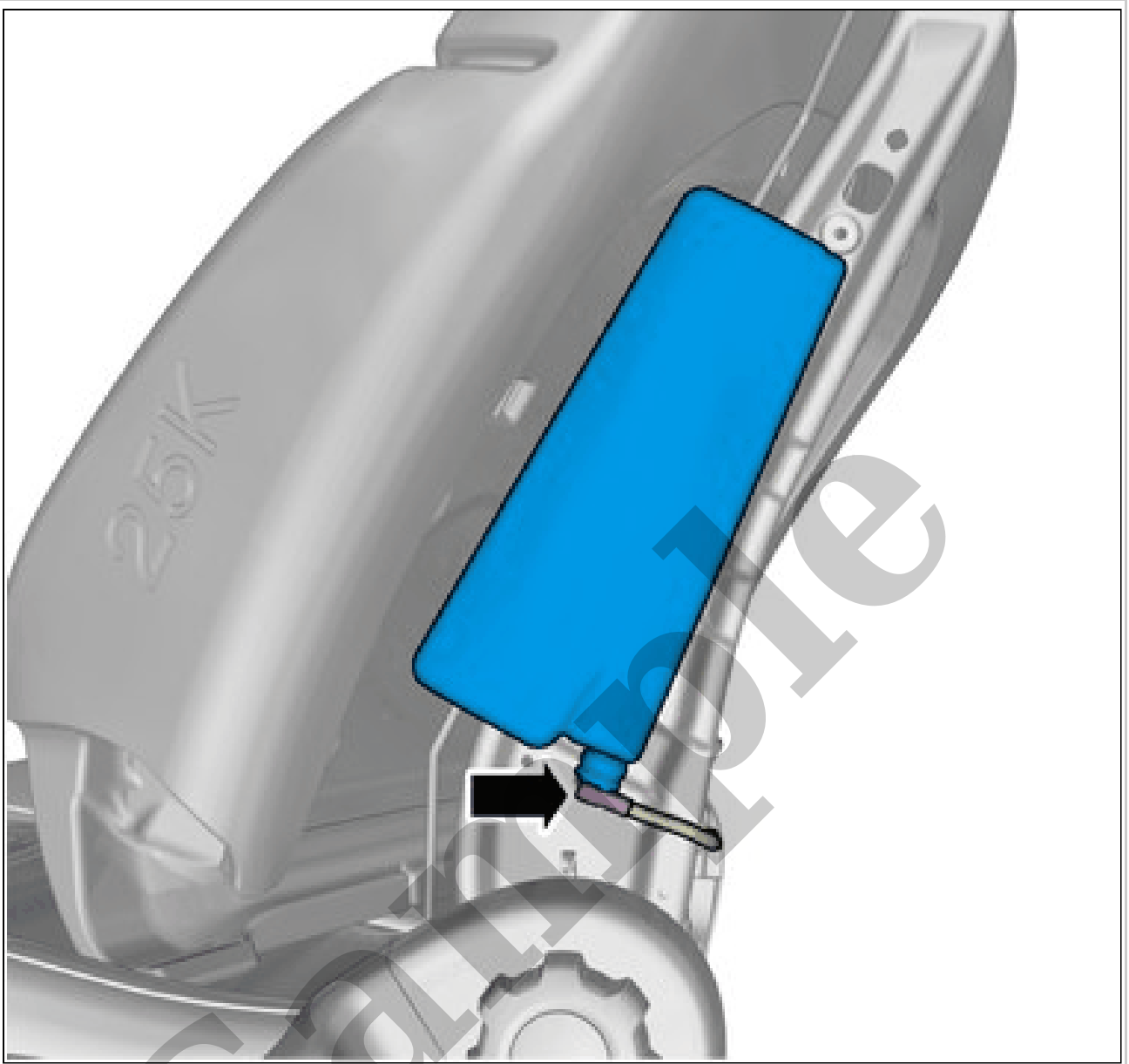
Remove the marked part.

AIR BAG, FRONT SEAT > AIR BAG, FRONT SEAT [2021-2022] > INSTALLATION

To install, reverse the removal procedure.

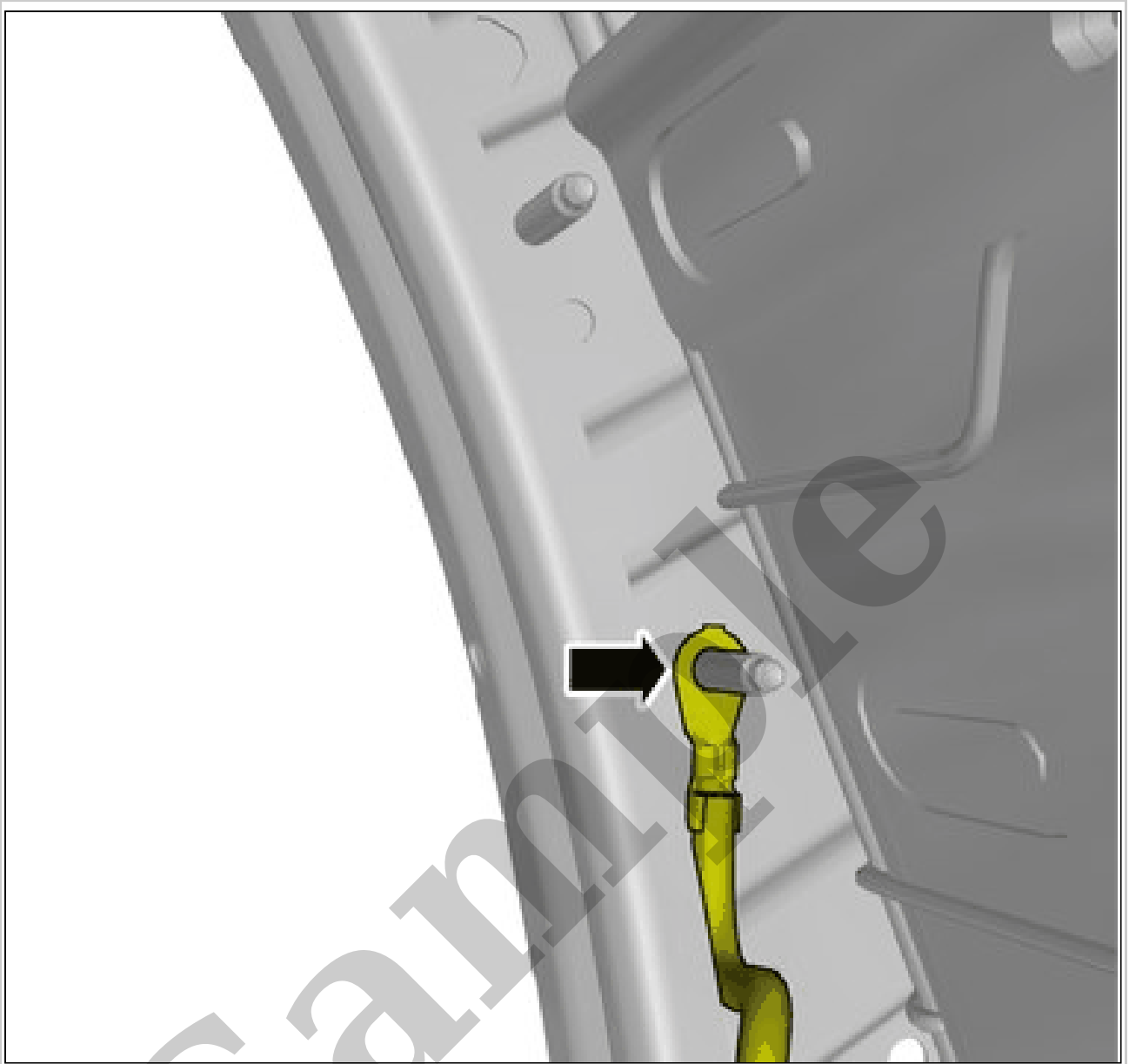
Perform supplemental restraint system (SRS), post check. Refer to: SUPPLEMENTARY RESTRAINT SYSTEM

AIR BAG, FRONT SEAT > AIR BAG, FRONT SEAT [2018-2020] > REMOVAL



Courtesy of VOLVO CARS CORPORATION

Disconnect the connector.
ALTERNATIVE 1



Courtesy of VOLVO CARS CORPORATION

Fold marked part aside.