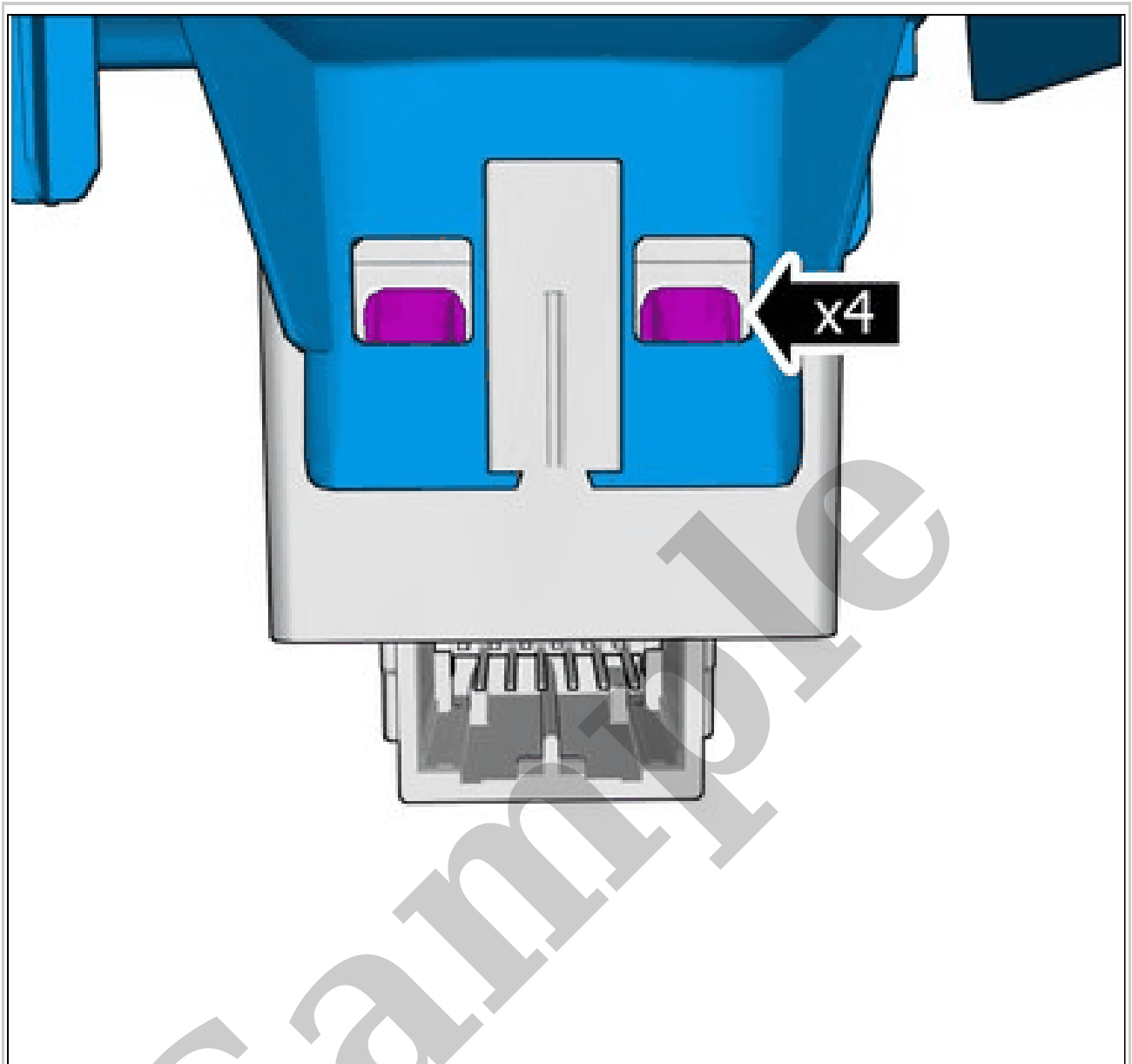


Your Ultimate Source for OEM Repair Manuals

FactoryManuals.net is a great resource for anyone who wants to save money on repairs by doing their own work. The manuals provide detailed instructions and diagrams that make it easy to understand how to fix a vehicle.

1995 VOLVO 960 OEM Service and Repair Workshop Manual

[Go to manual page](#)



Courtesy of VOLVO CARS CORPORATION

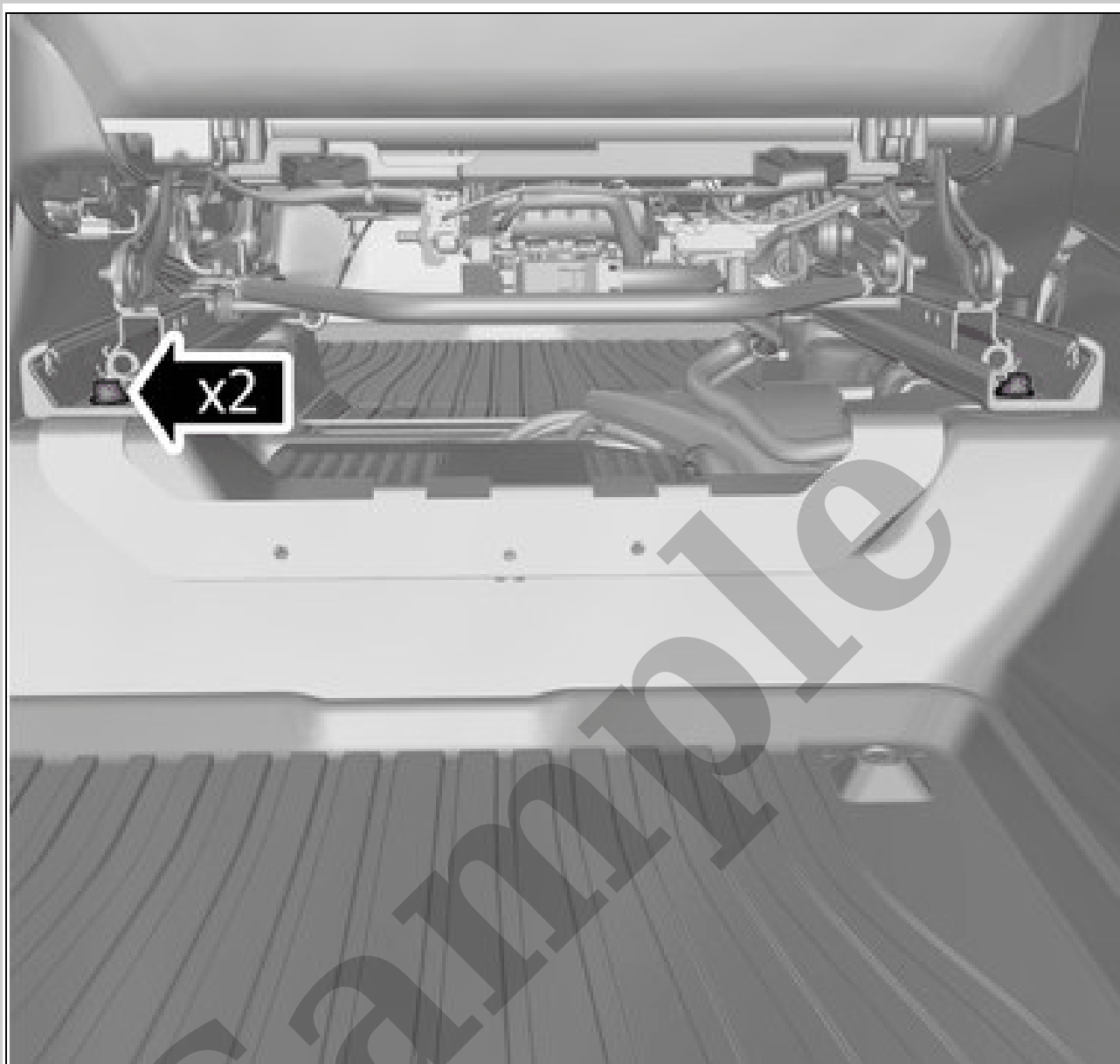
Release the catches.
Remove the marked part.

INSTALLATION

To install, reverse the removal procedure.

FIRE EXTINGUISHER > FIRE EXTINGUISHER [2018-2022] > REMOVAL

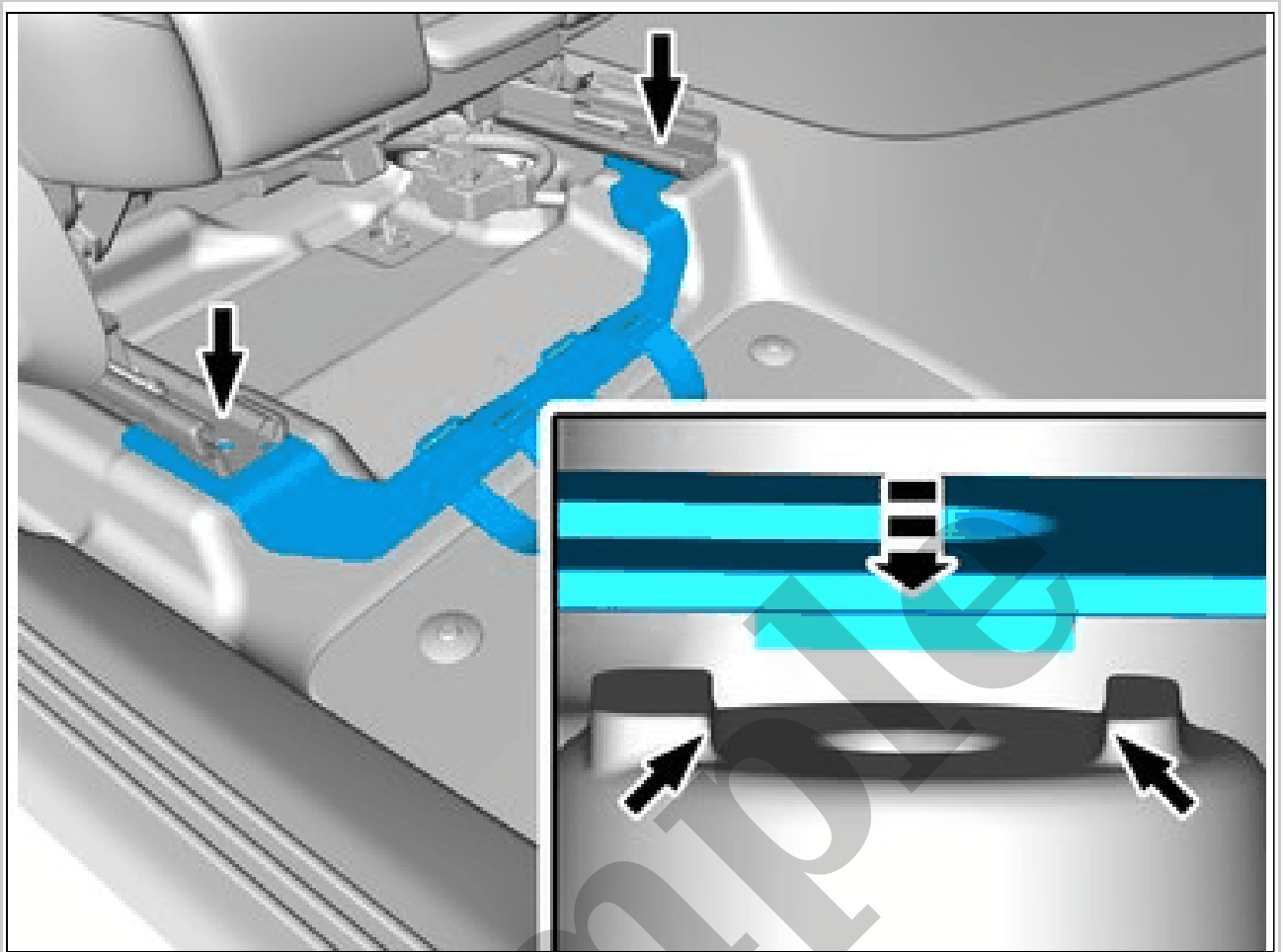
NOTE: *Removal steps in this procedure may contain installation details.*



Courtesy of VOLVO CARS CORPORATION

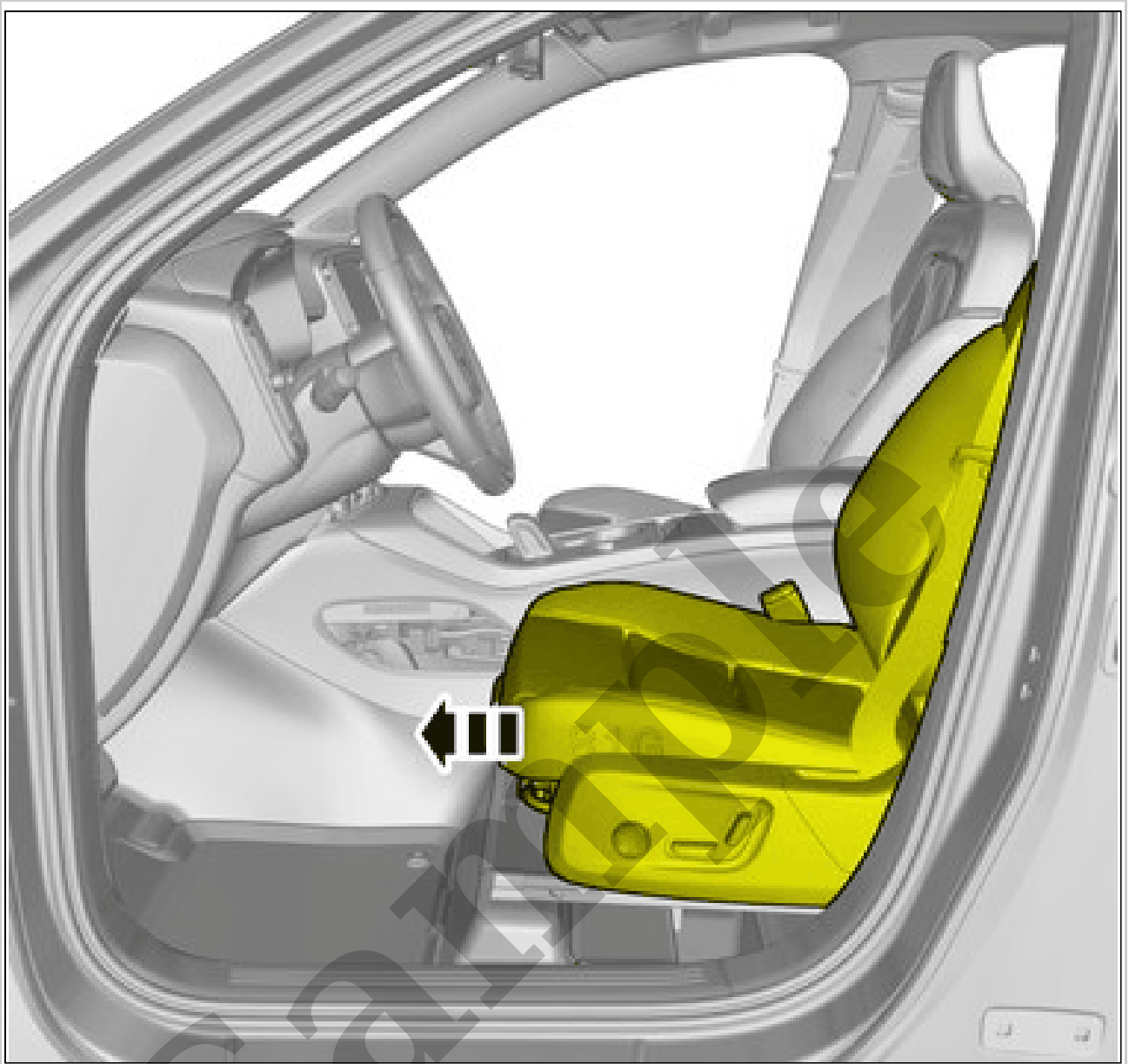
Remove the screws.

Torque: Front seat to body, 40Nm



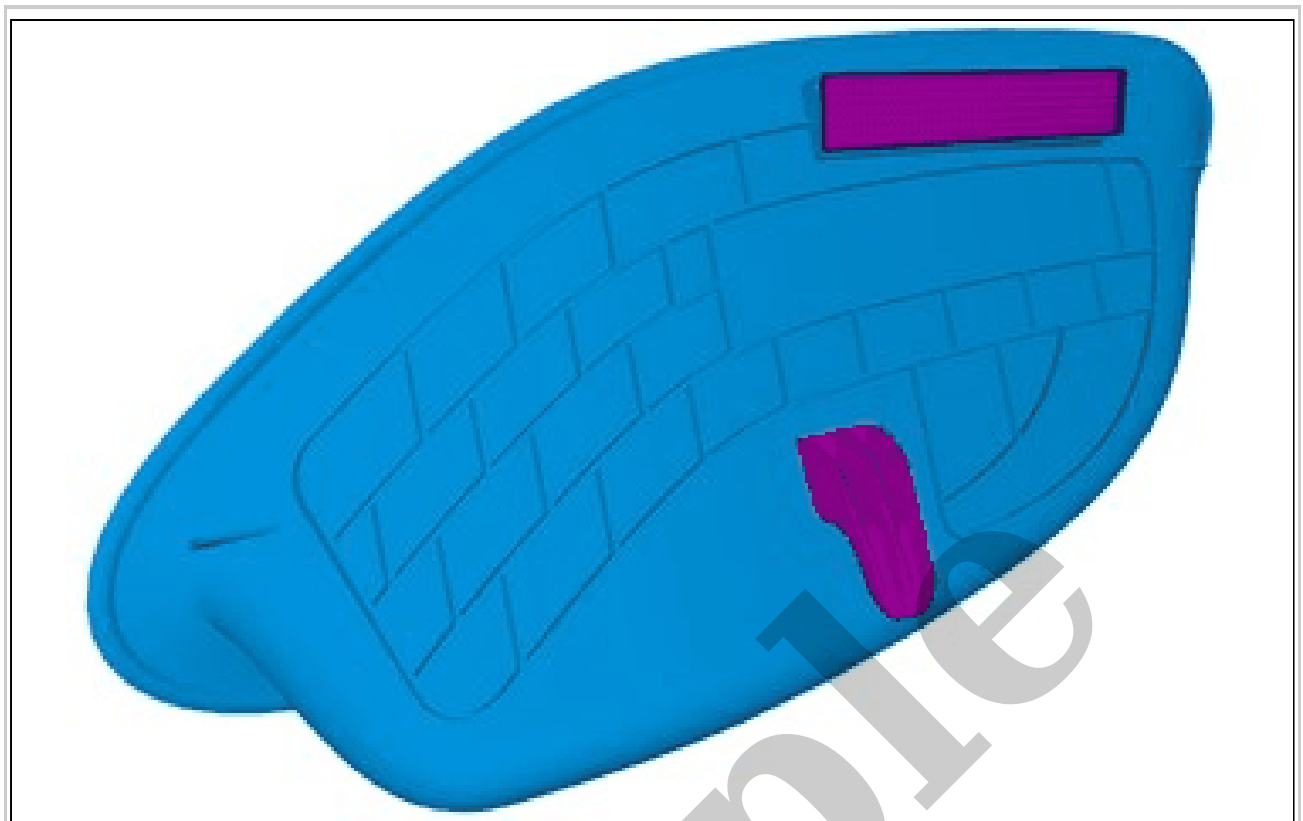
Courtesy of VOLVO CARS CORPORATION

Note the position.



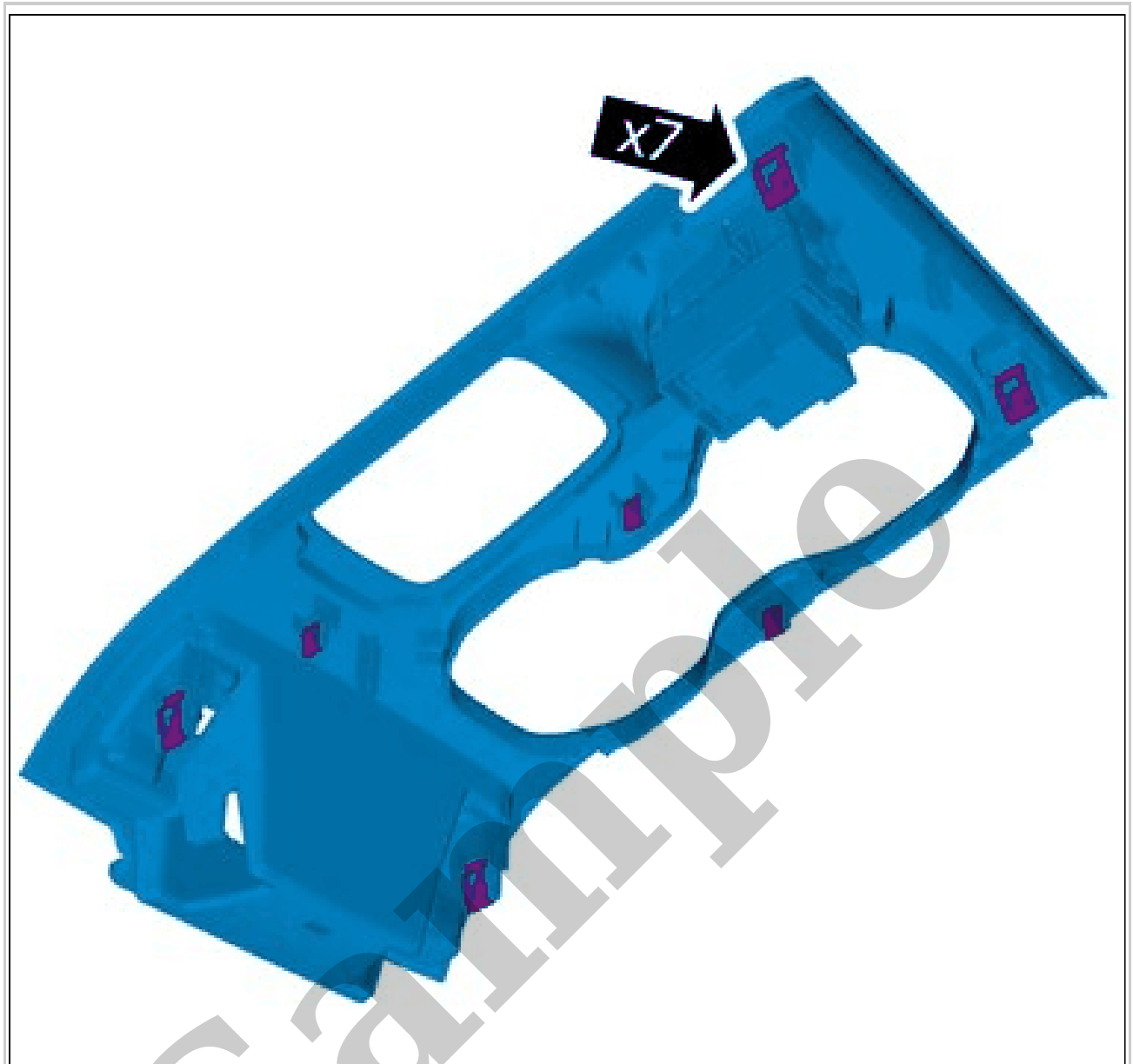
Courtesy of VOLVO CARS CORPORATION

On both sides.



Courtesy of VOLVO CARS CORPORATION

NOTE: *The graphic shows the back of the component before removal.*



Courtesy of VOLVO CARS CORPORATION

NOTE: *The graphic shows the back of the component before removal.*

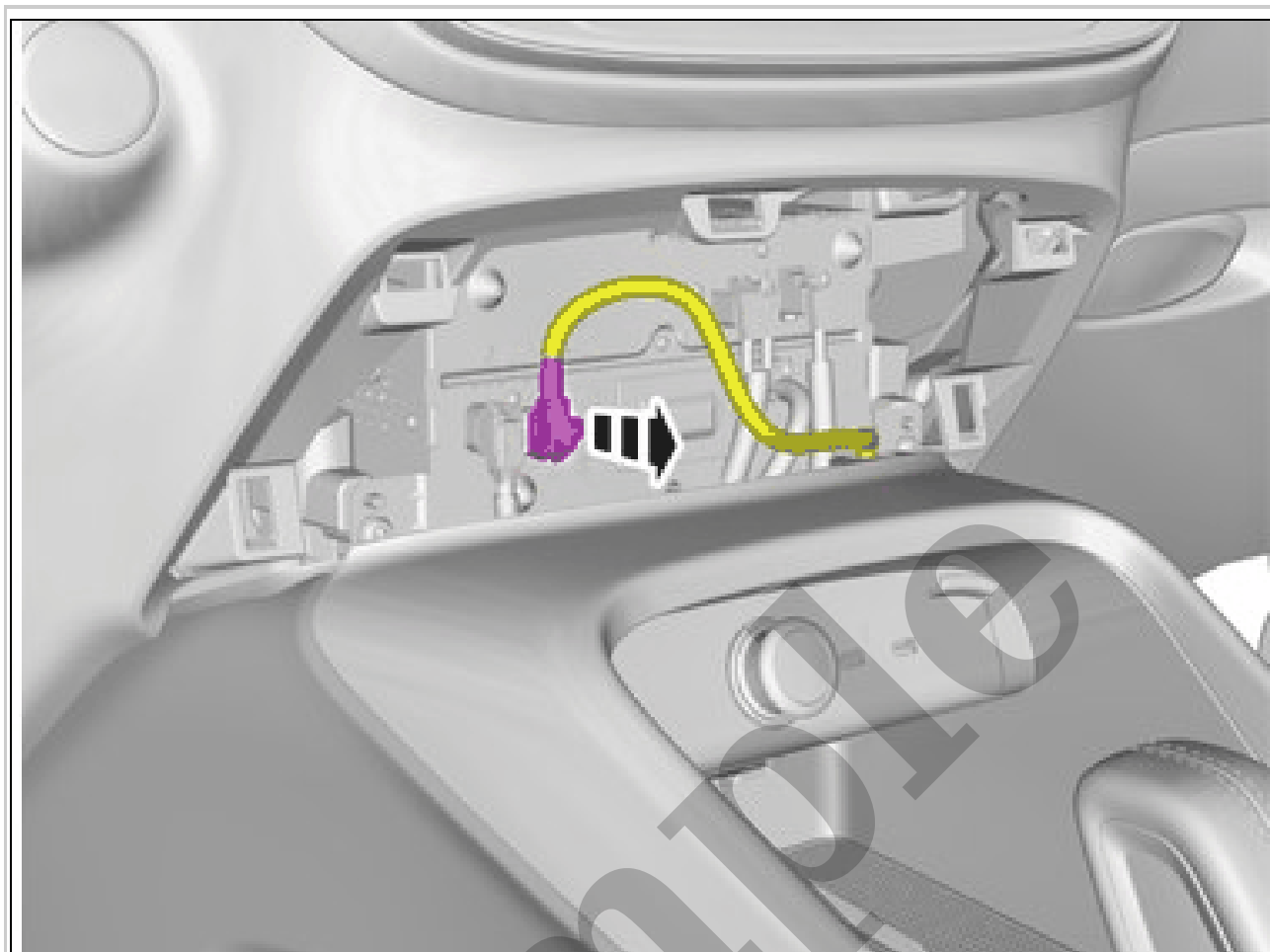
FLOOR CONSOLE > FLOOR CONSOLE [2022, E400V5; E400V6, 1EDT FWD; 1EDT AWD | 2021-2022, E400V6] > REMOVAL

NOTE: *Removal steps in this procedure may contain installation details.*



Courtesy of VOLVO CARS CORPORATION

Adjust the seat to the front position.
Repeat on the other side.



Courtesy of VOLVO CARS CORPORATION

Disconnect the connector.



Courtesy of VOLVO CARS CORPORATION

NOTE: *The graphic shows the back of the component before removal.*