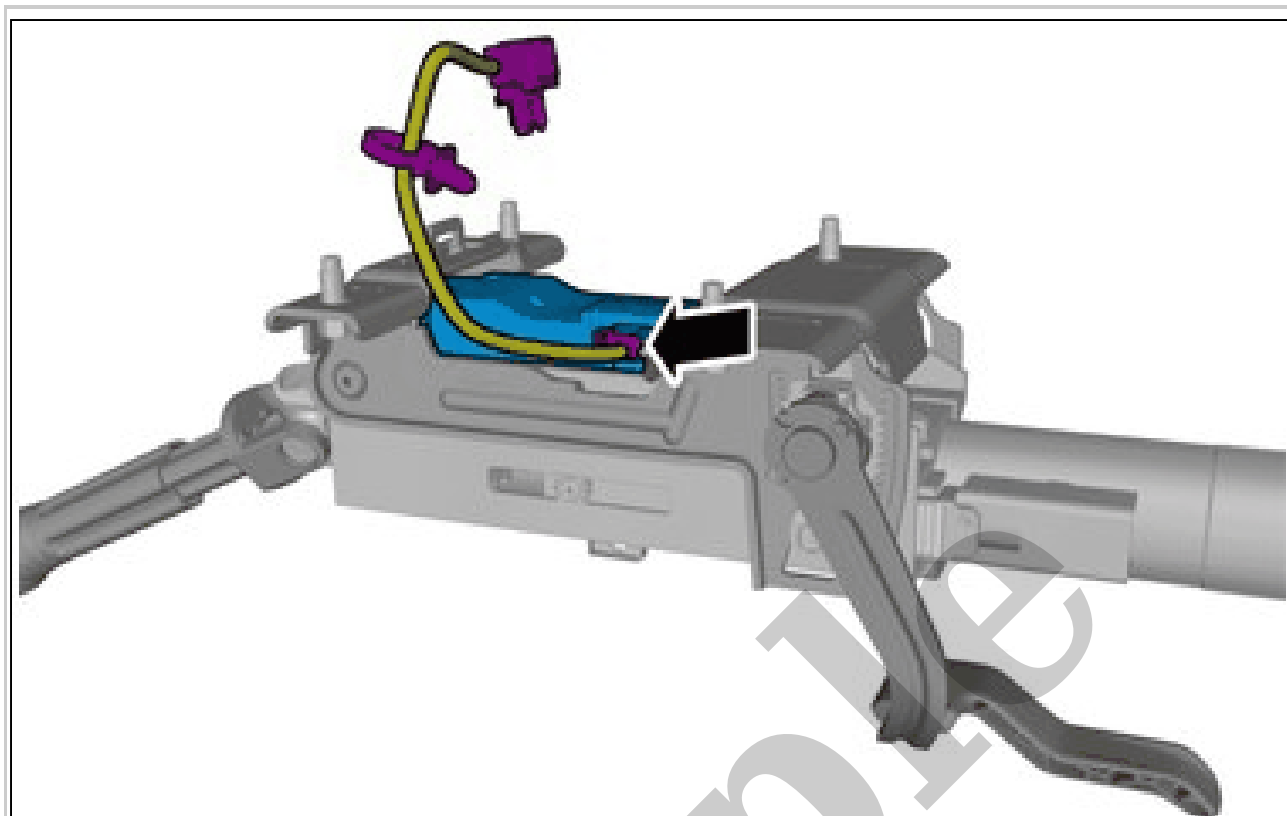


Your Ultimate Source for OEM Repair Manuals

FactoryManuals.net is a great resource for anyone who wants to save money on repairs by doing their own work. The manuals provide detailed instructions and diagrams that make it easy to understand how to fix a vehicle.

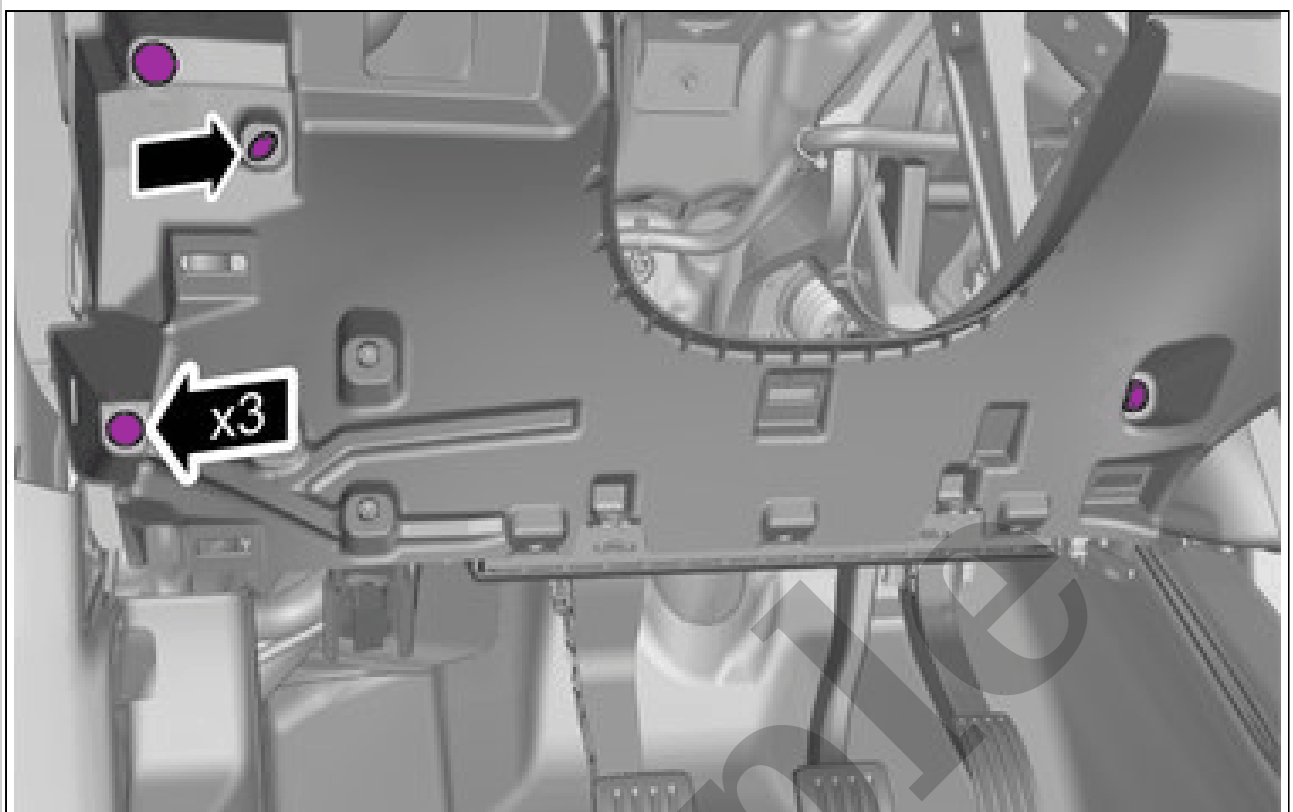
1995 VOLVO 960 Estate OEM Service and Repair Workshop Manual

[Go to manual page](#)



Courtesy of VOLVO CARS CORPORATION

NOTE: *Orientation view*

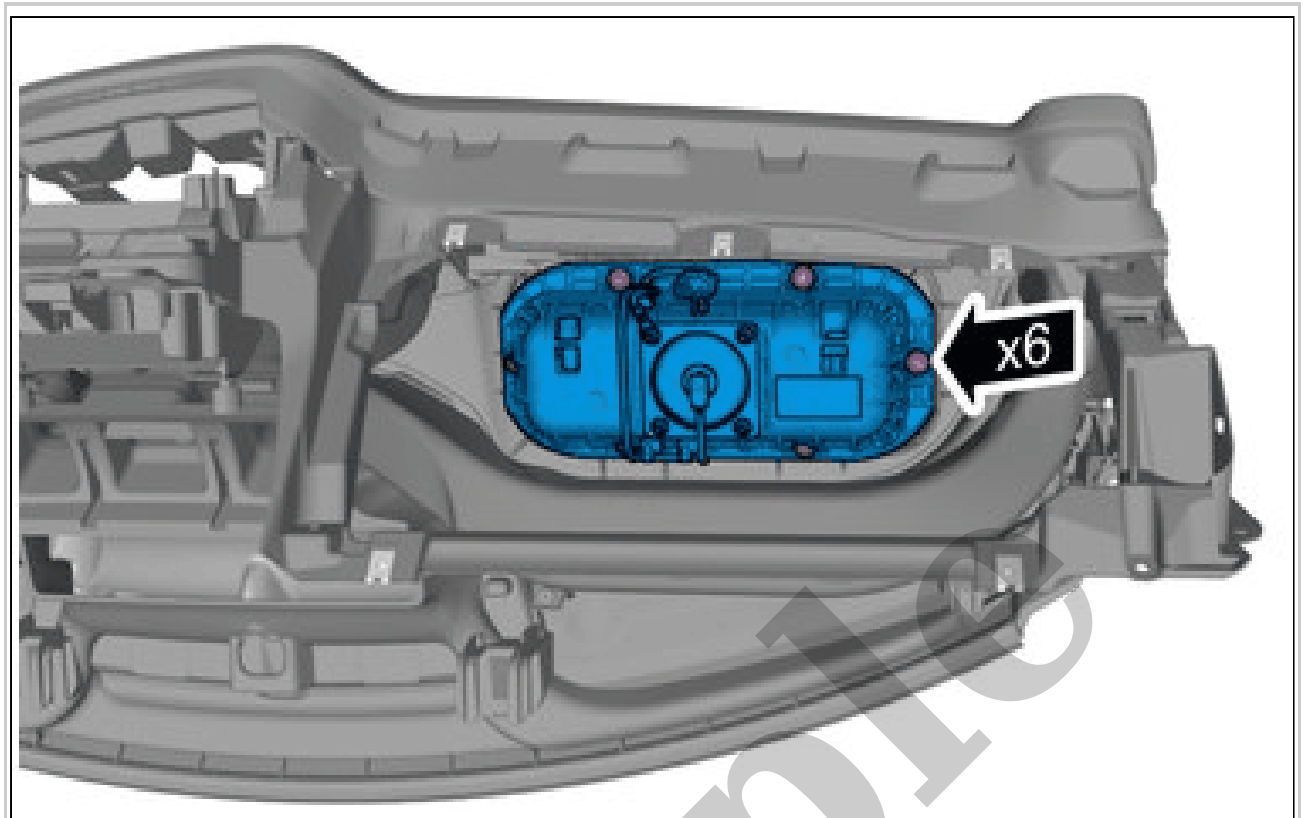


Courtesy of VOLVO CARS CORPORATION

Remove the screws.

Torque: Dashboard, to crossmember, 3.5Nm

Remove the cable harness clips.

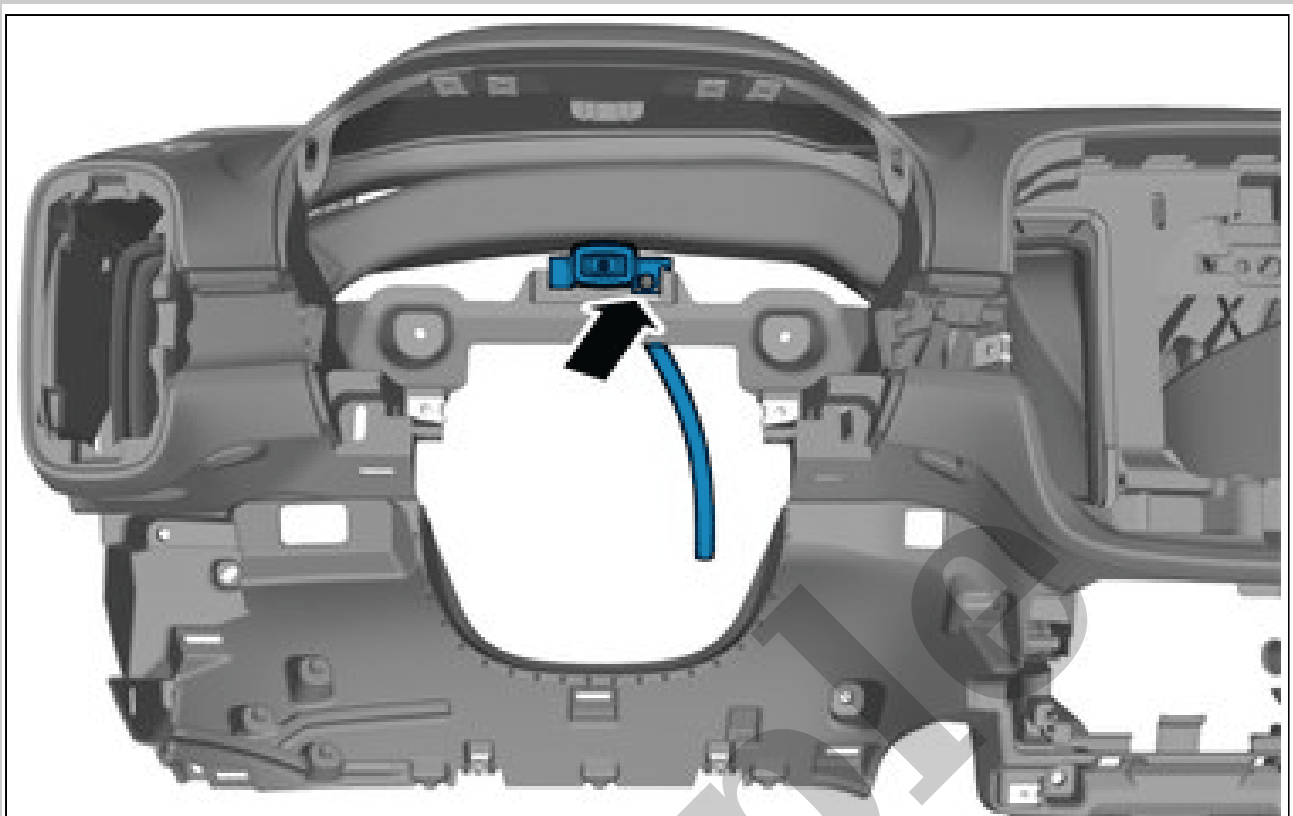


Courtesy of VOLVO CARS CORPORATION

WARNING: *Take extra care when handling supplemental restraint system (SRS) components.*

Remove the screws.

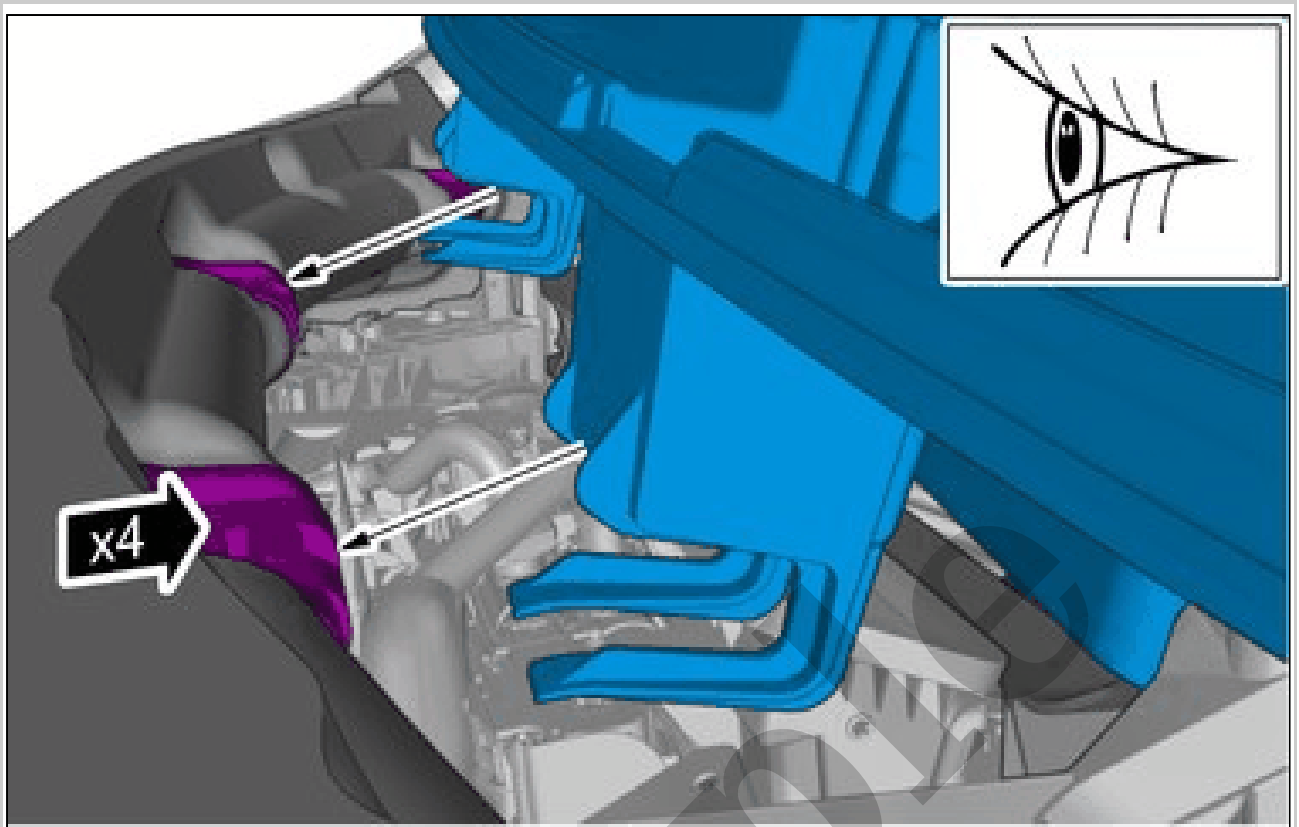
Torque: Airbag, to Dash board, 9Nm



Courtesy of VOLVO CARS CORPORATION

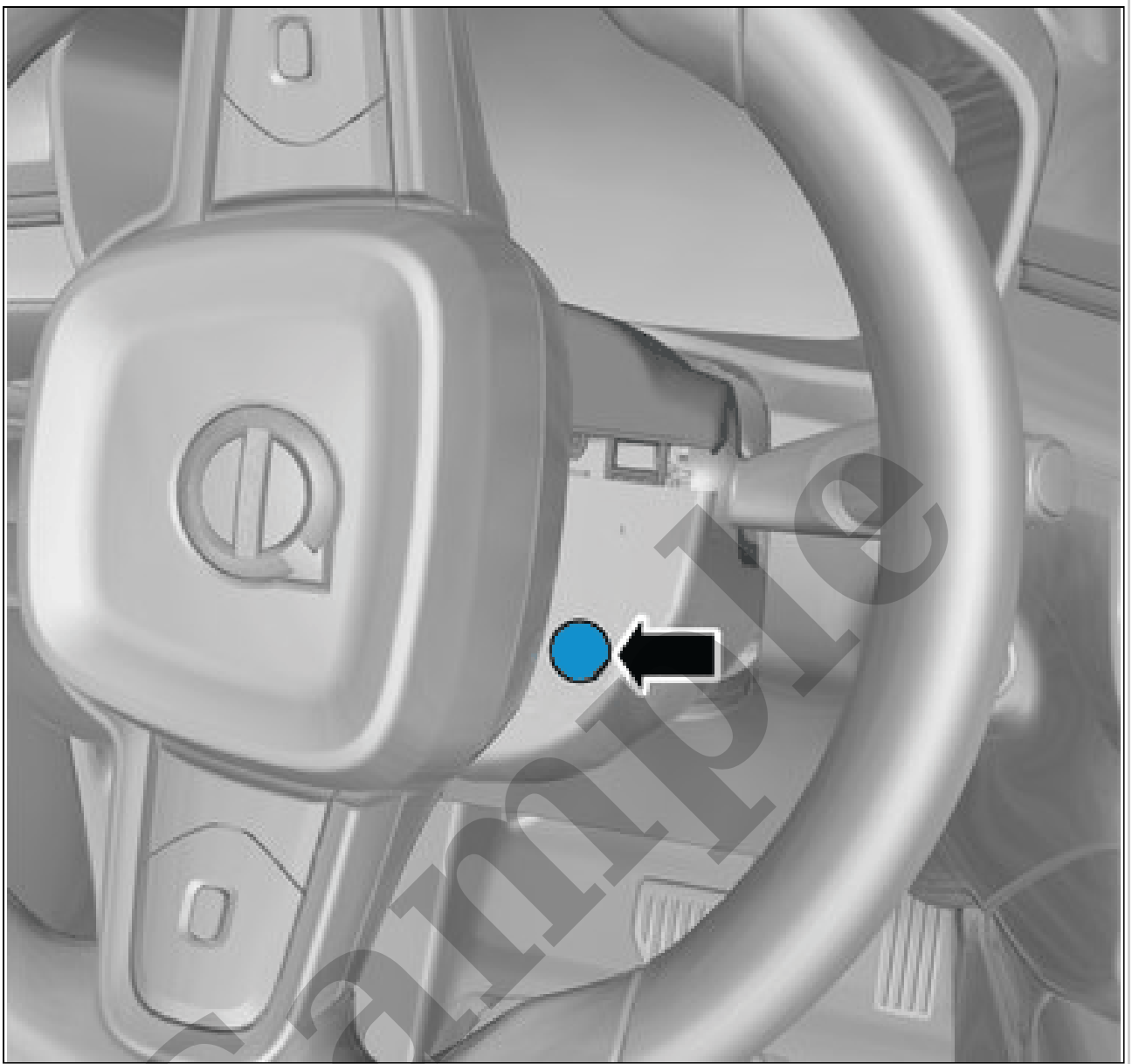
CAUTION: *Note the routing of the lines and hoses.*

Remove the screw.
Remove the marked part.



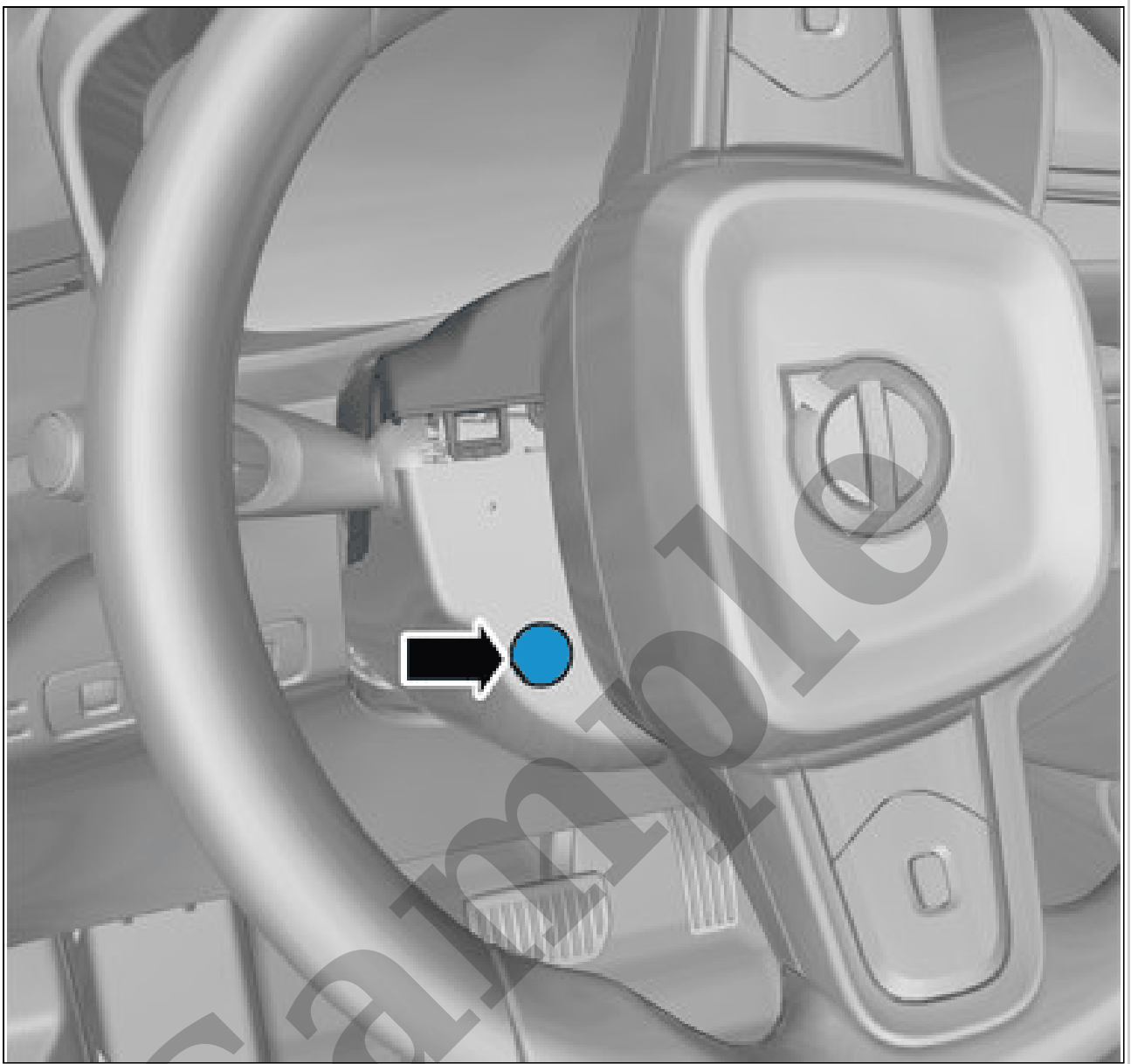
Courtesy of VOLVO CARS CORPORATION

NOTE: *Note the position.*



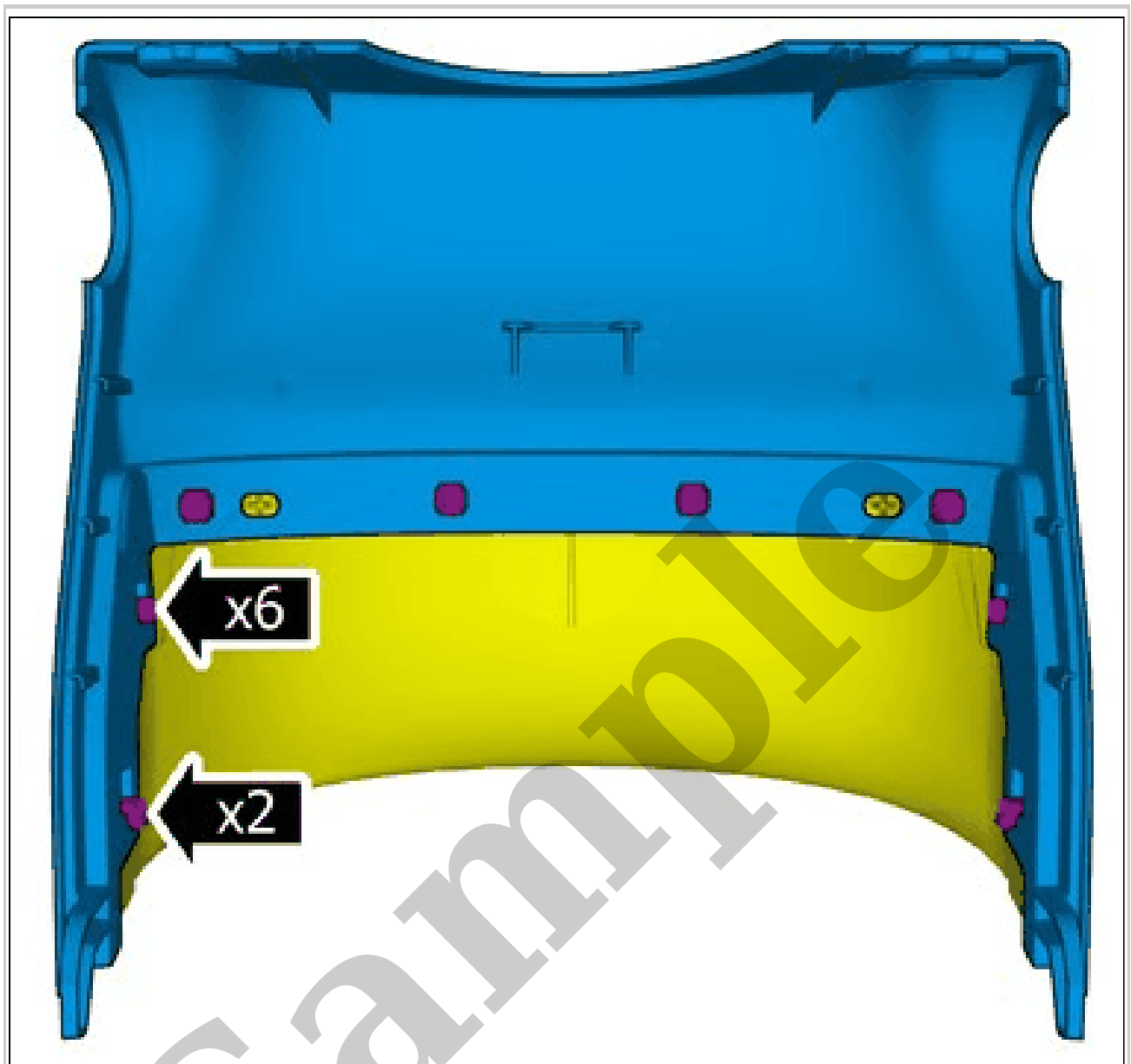
Courtesy of VOLVO CARS CORPORATION

Remove the marked part.



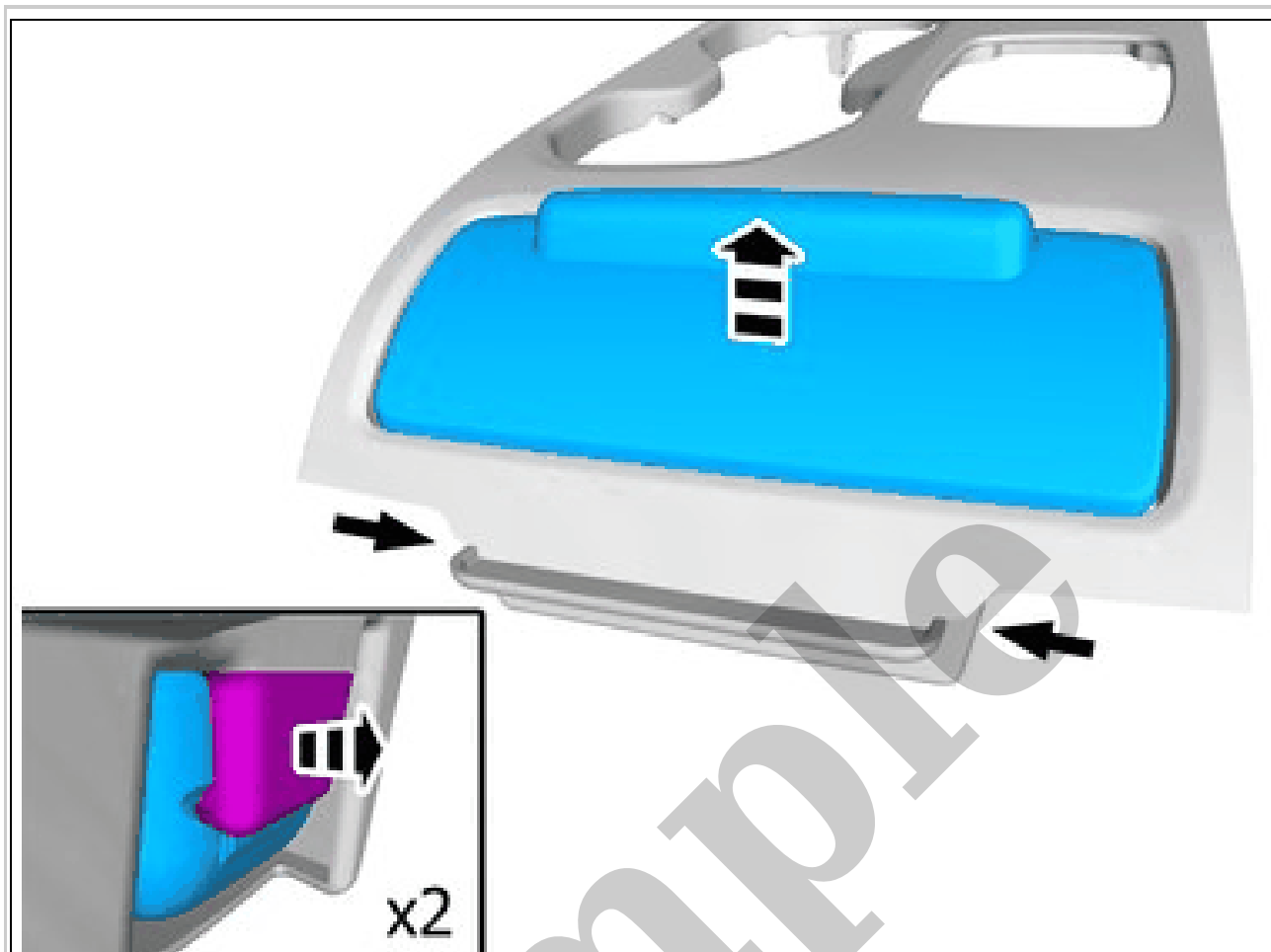
Courtesy of VOLVO CARS CORPORATION

Remove the marked part.



Courtesy of VOLVO CARS CORPORATION

NOTE: The graphic shows the back of the component before removal.



Courtesy of VOLVO CARS CORPORATION

Release the catches.
Remove the marked part.

INSTALLATION

To install, reverse the removal procedure.

DECOR PANEL FRONT, FLOOR CONSOLE > DECOR PANEL FRONT, FLOOR CONSOLE [2019-2022, TG-81SC | 2018-2022, TG-81SC AWD] > REMOVAL AND INSTALLATION

REMOVAL