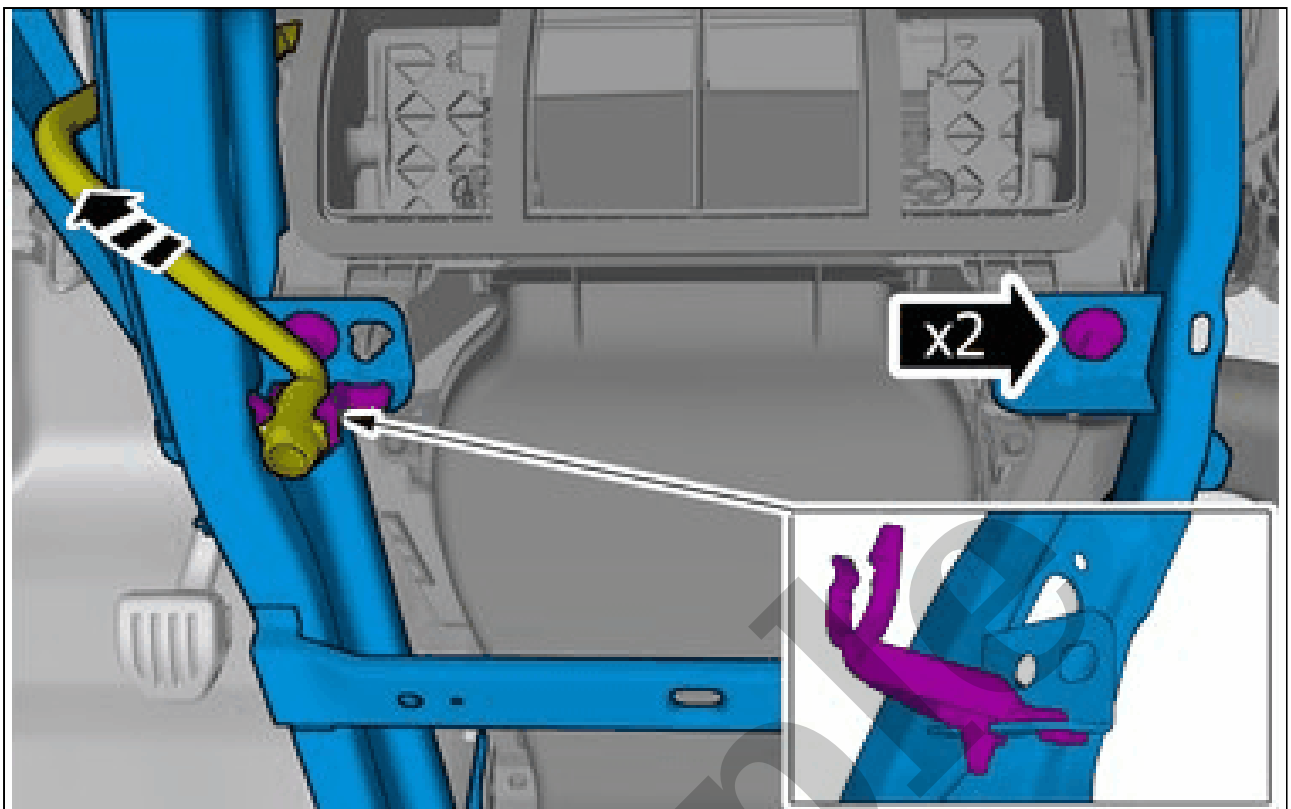


# Your Ultimate Source for OEM Repair Manuals

FactoryManuals.net is a great resource for anyone who wants to save money on repairs by doing their own work. The manuals provide detailed instructions and diagrams that make it easy to understand how to fix a vehicle.

## 1995 VOLVO 940 OEM Service and Repair Workshop Manual

[Go to manual page](#)

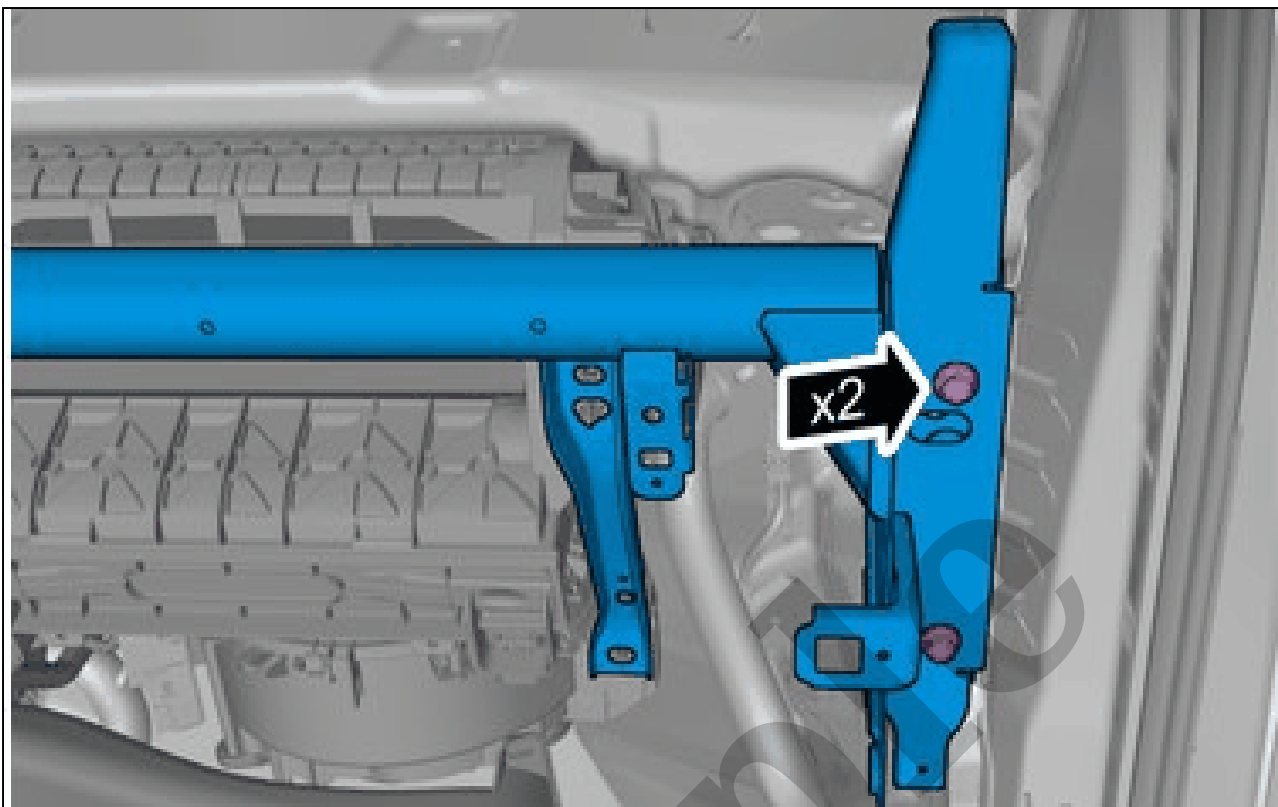


Courtesy of VOLVO CARS CORPORATION

Remove the screws.

**Torque:** Cross member, to Climate unit, 5.4Nm

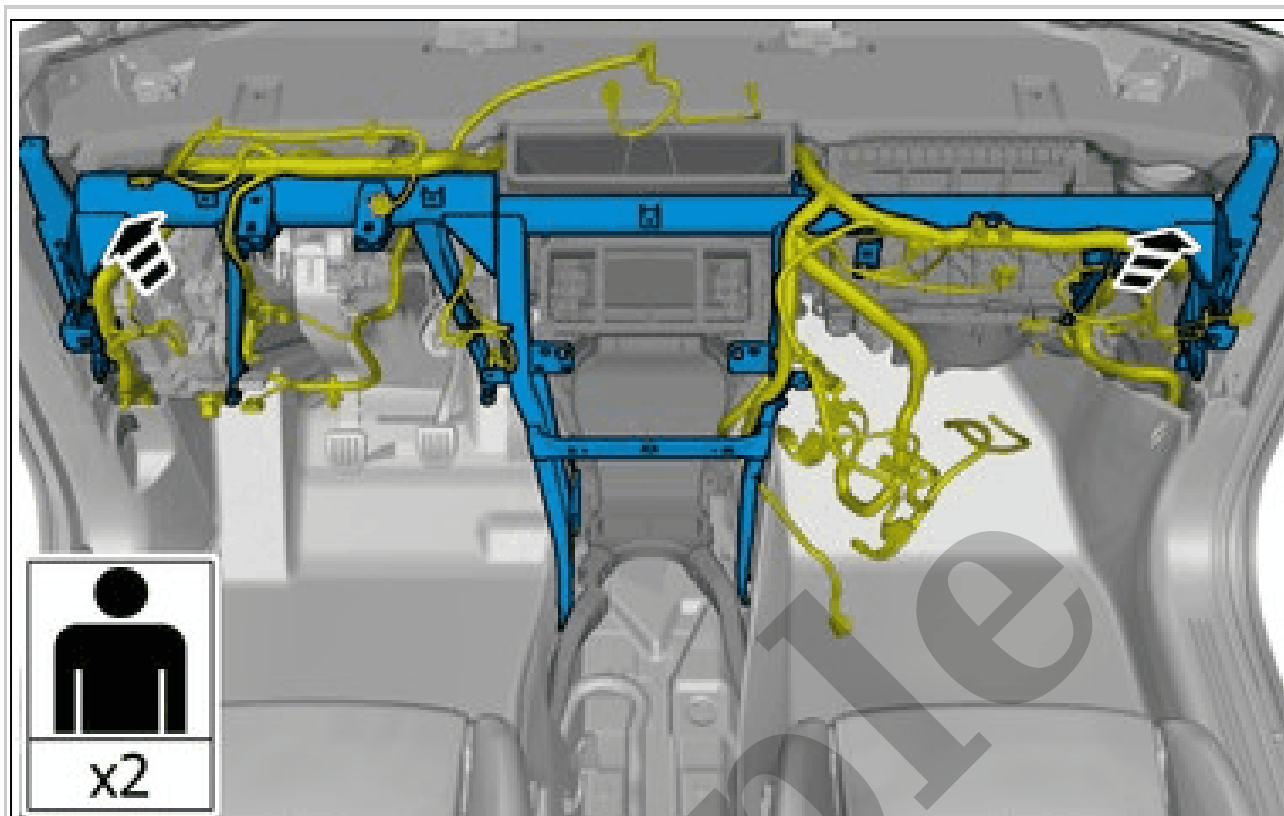
Remove the marked part.



Courtesy of VOLVO CARS CORPORATION

Remove the screws.

**Torque:** M8, 24Nm



Courtesy of VOLVO CARS CORPORATION

**CAUTION:** Make sure that the wiring harness does not catch.

**NOTE:** This step requires the aid of another technician.

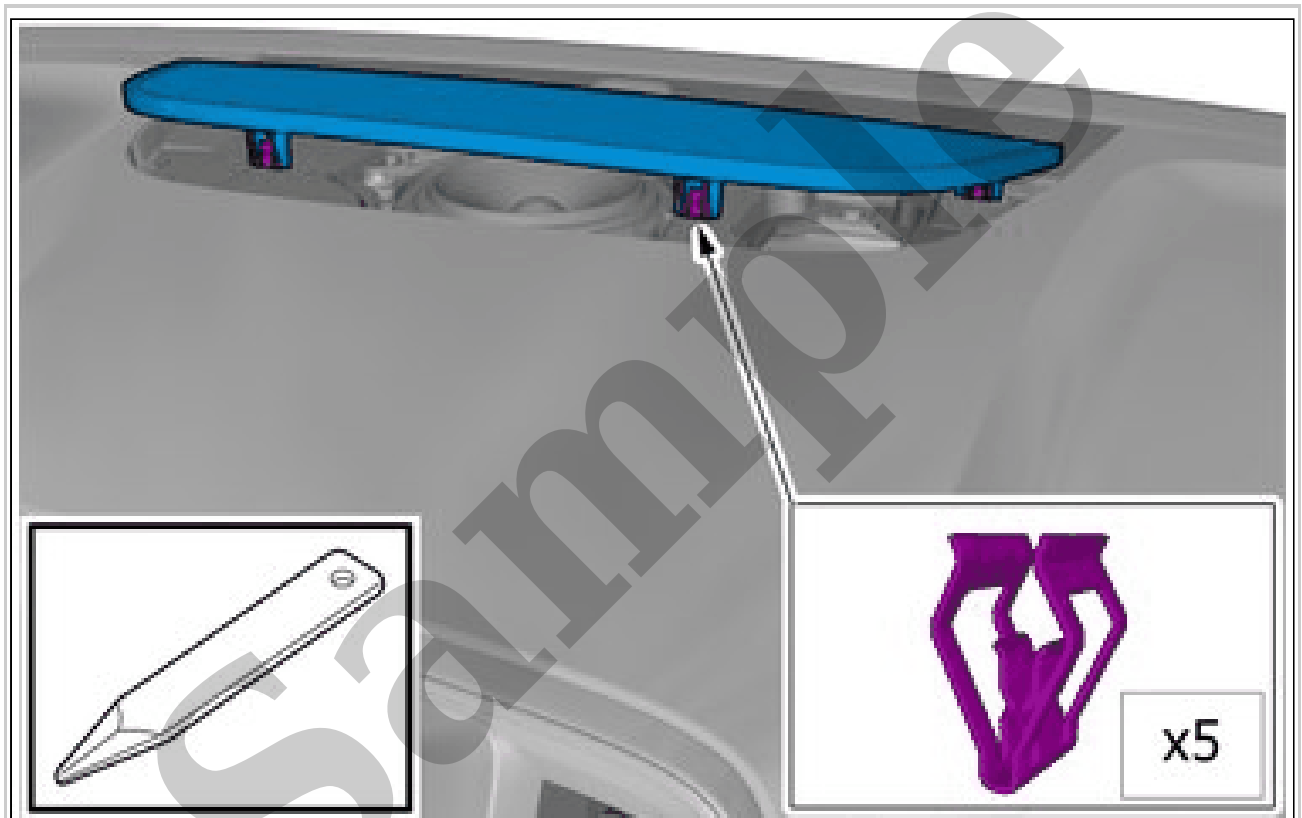
Install the marked component.

*position before disconnecting the battery.*

Perform battery disconnecting and connecting. Refer to: BATTERY DISCONNECTING AND CONNECTING

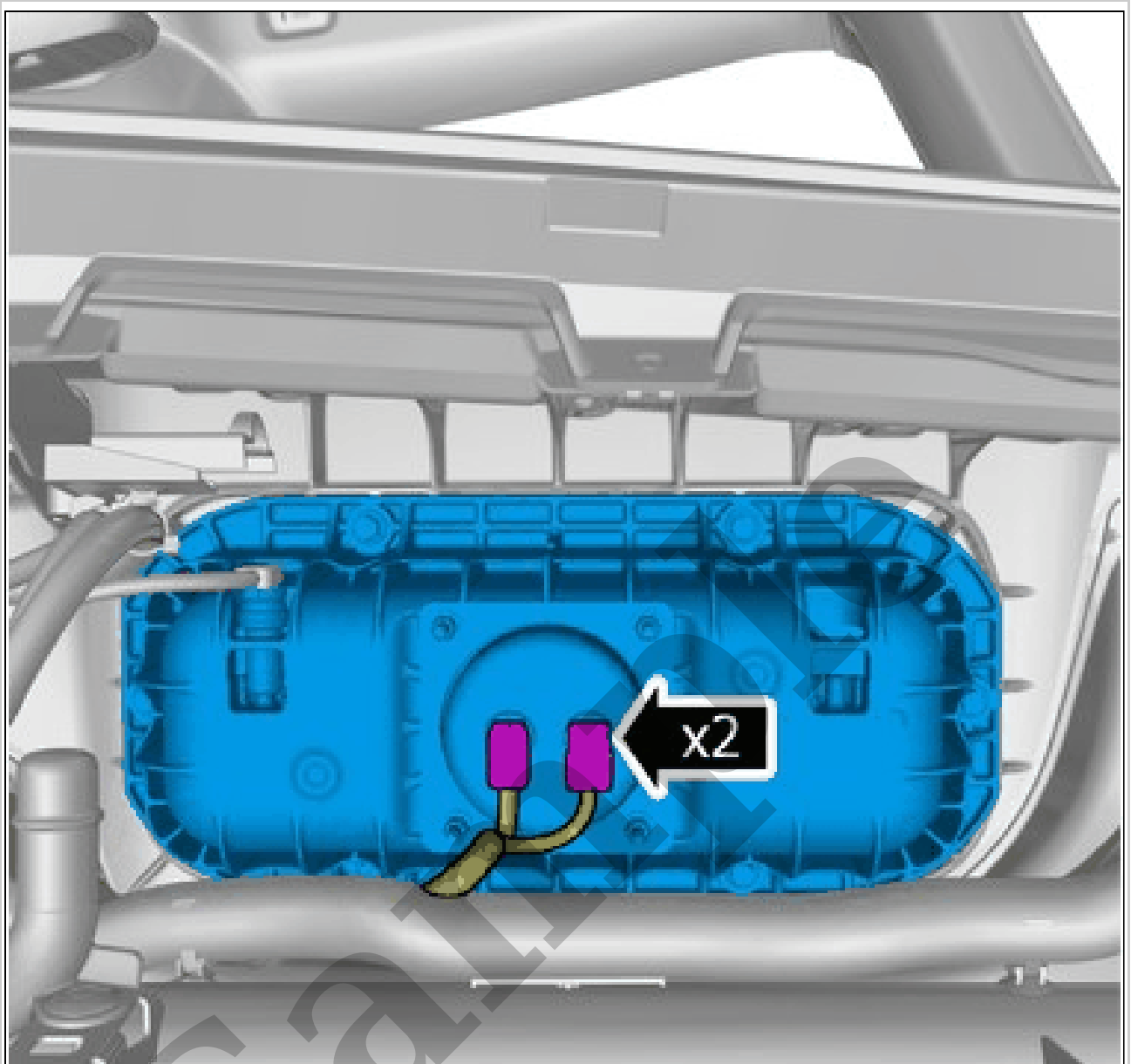
**NOTE:** *Note the position of the electrical connectors.*

**NOTE:** *Make sure that the wire positions are correct.*



Courtesy of VOLVO CARS CORPORATION

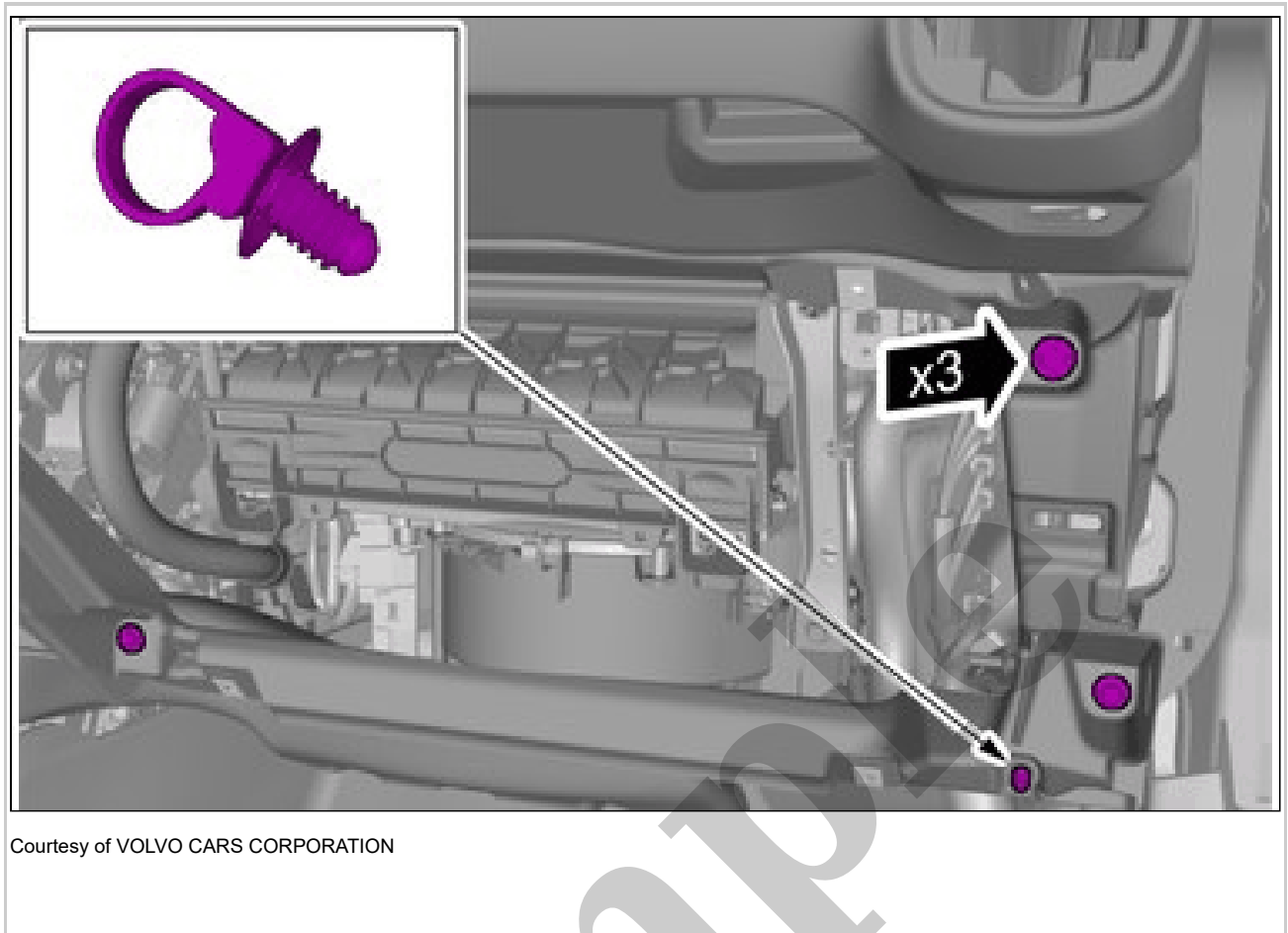
Remove the part carefully  
**Use:** Interior trim remover  
Remove the marked part.



Courtesy of VOLVO CARS CORPORATION

**WARNING:** Take extra care when handling supplemental restraint system (SRS) components.

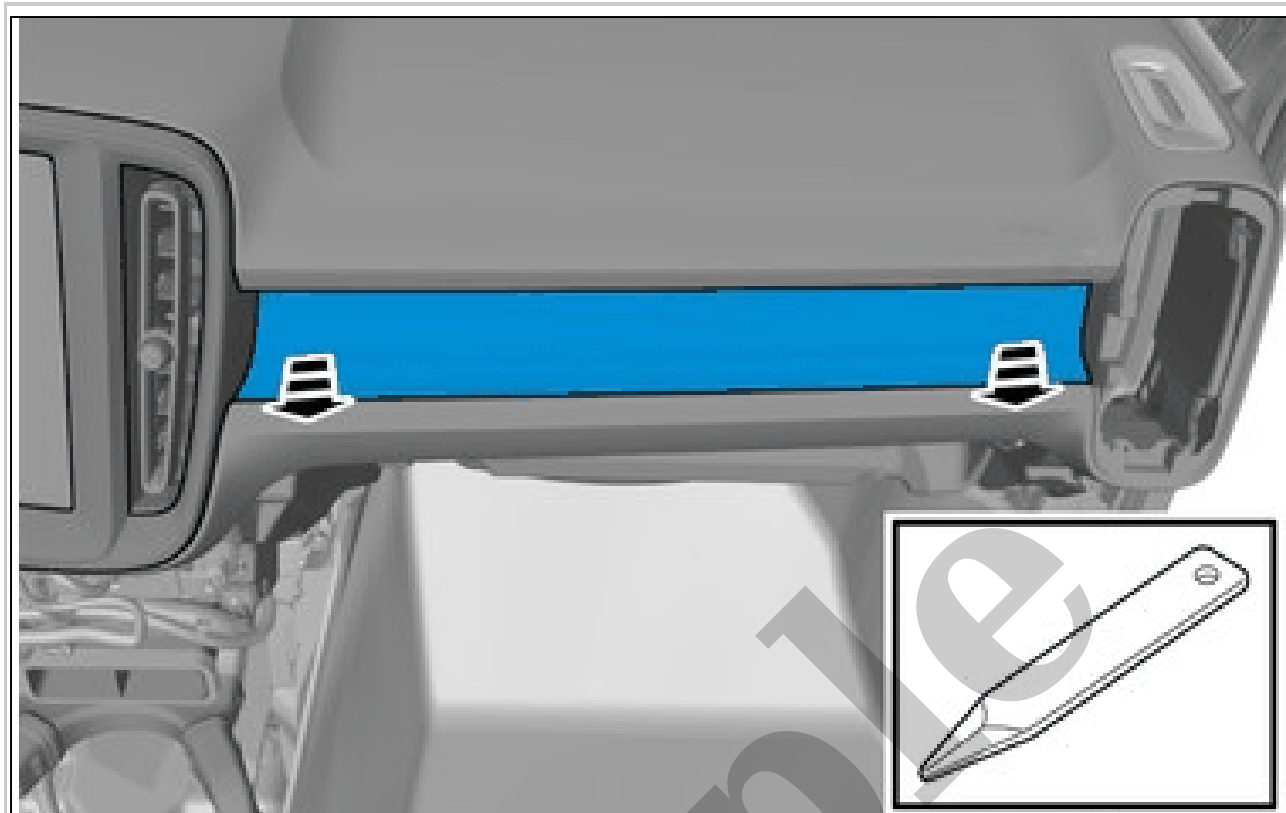
Disconnect the connectors.



Remove the screws.

**Torque:** Dashboard, to crossmember, 3.5Nm

Remove the cable harness clips.

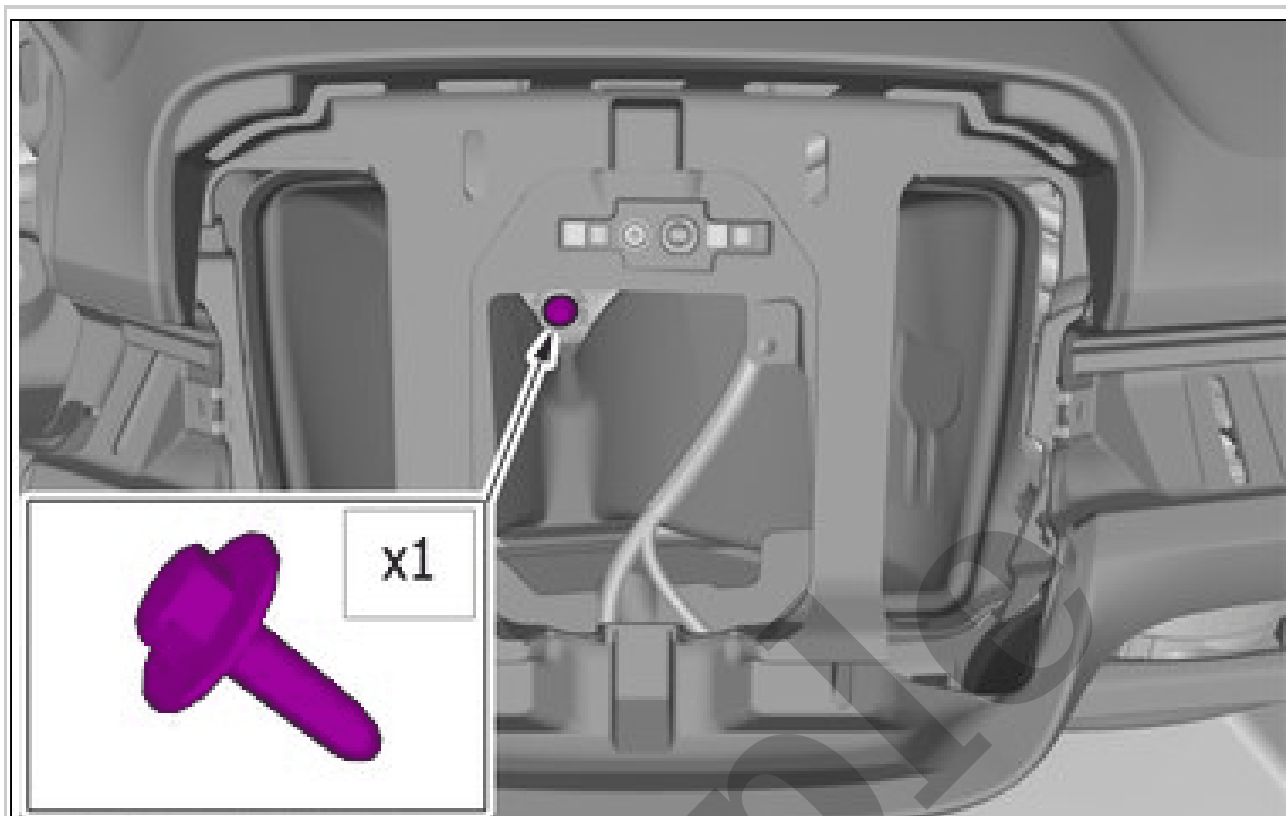


Courtesy of VOLVO CARS CORPORATION

**Use:** Interior trim remover  
Remove the part carefully  
Remove the marked part.

**VEHICLES WITH DECOR ILLUMINATION**

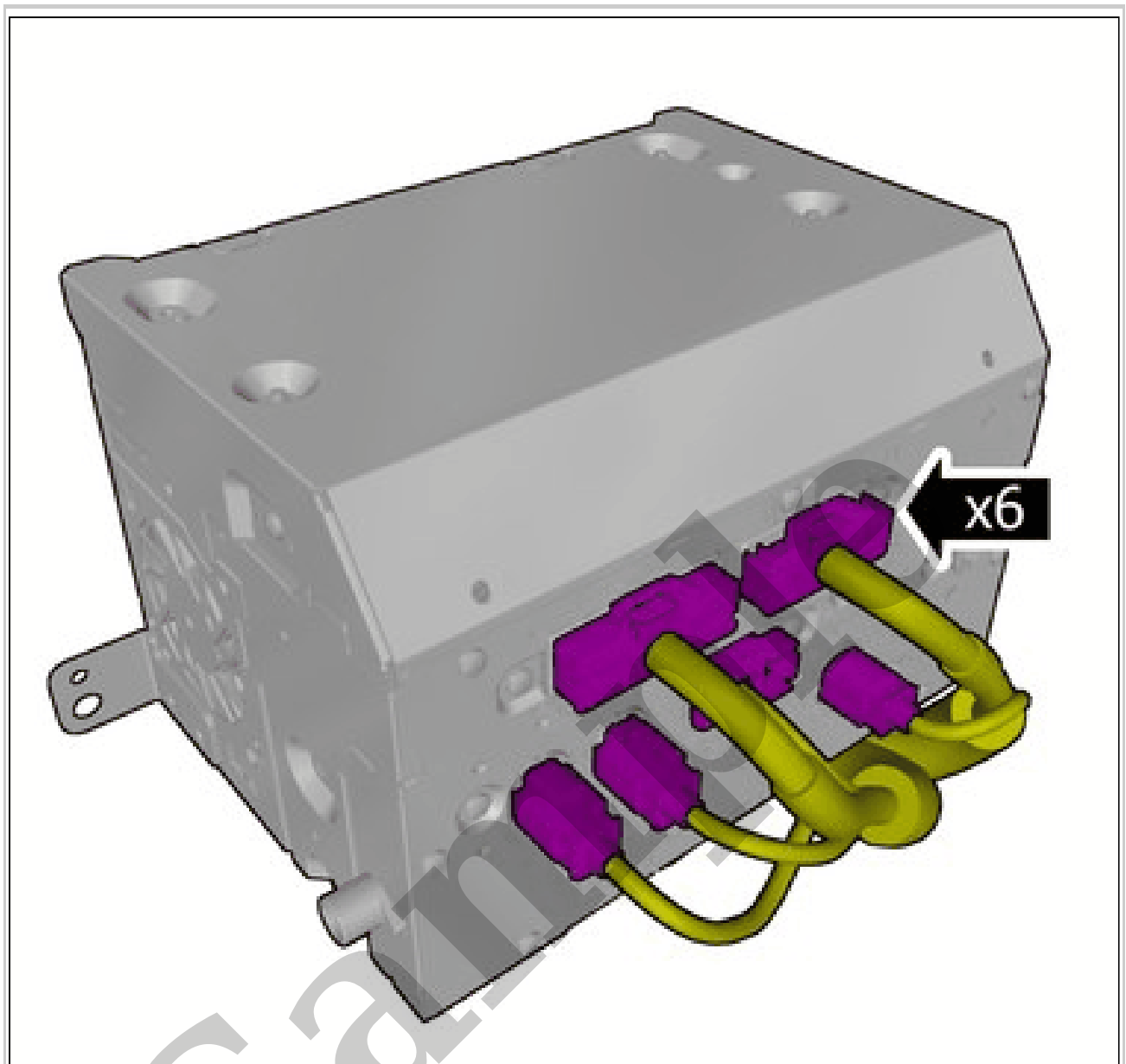




Courtesy of VOLVO CARS CORPORATION

Remove the screw.

**Torque:** Dashboard, to crossmember, 3.5Nm



Courtesy of VOLVO CARS CORPORATION

**CAUTION:** *The number of connectors, cables and cable ties may vary depending on the vehicle specification.*

Disconnect the connectors.  
Remove panel steering column. Refer to: PANEL STEERING COLUMN