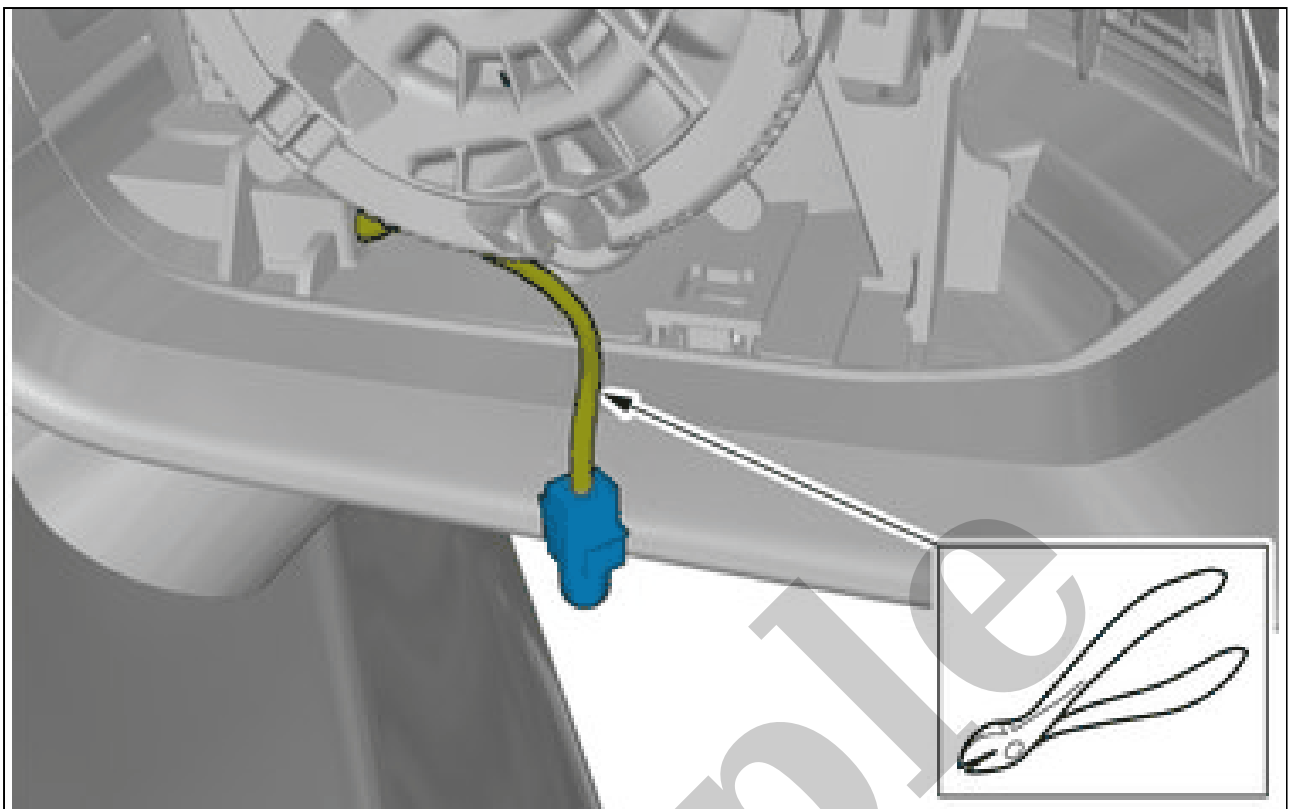


Your Ultimate Source for OEM Repair Manuals

FactoryManuals.net is a great resource for anyone who wants to save money on repairs by doing their own work. The manuals provide detailed instructions and diagrams that make it easy to understand how to fix a vehicle.

1995 VOLVO 940 Estate OEM Service and Repair Workshop Manual

[Go to manual page](#)



Courtesy of VOLVO CARS CORPORATION

Carry out splicing of wire. Refer to: JOINING CABLES

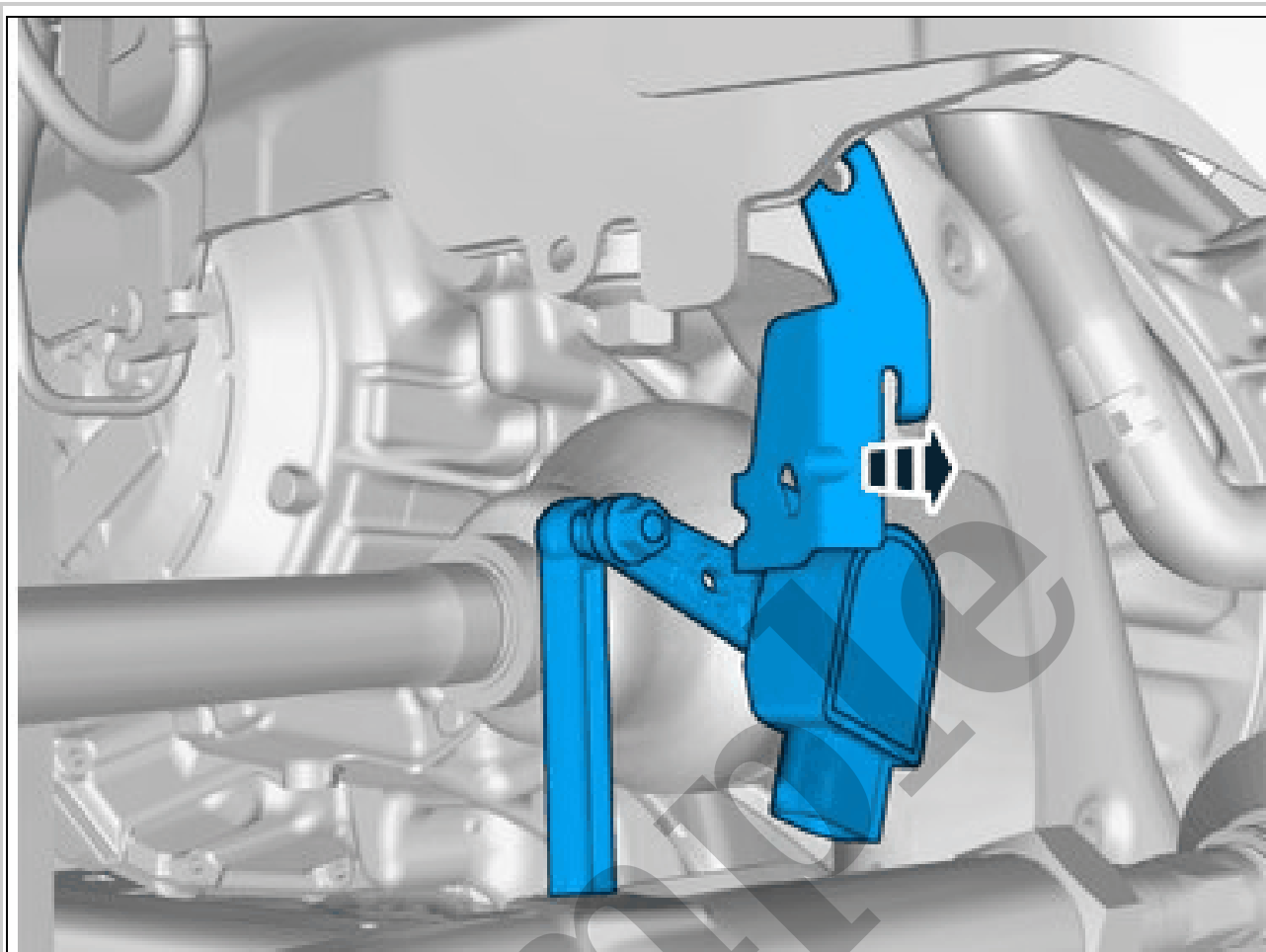
OUTSIDE TEMPERATURE SENSOR > OUTSIDE TEMPERATURE SENSOR [2018-2022] > INSTALLATION

To install, reverse the removal procedure.

POSITION SENSOR, WHEEL SUSPENSION FRONT > POSITION SENSOR, WHEEL SUSPENSION FRONT [2018-2022] > REMOVAL

NOTE: *Removal steps in this procedure may contain installation details.*

Set the vehicle to Inactive mode, described in user mode. Refer to: USAGE MODE
Remove relevant side wheel. Refer to: WHEELS

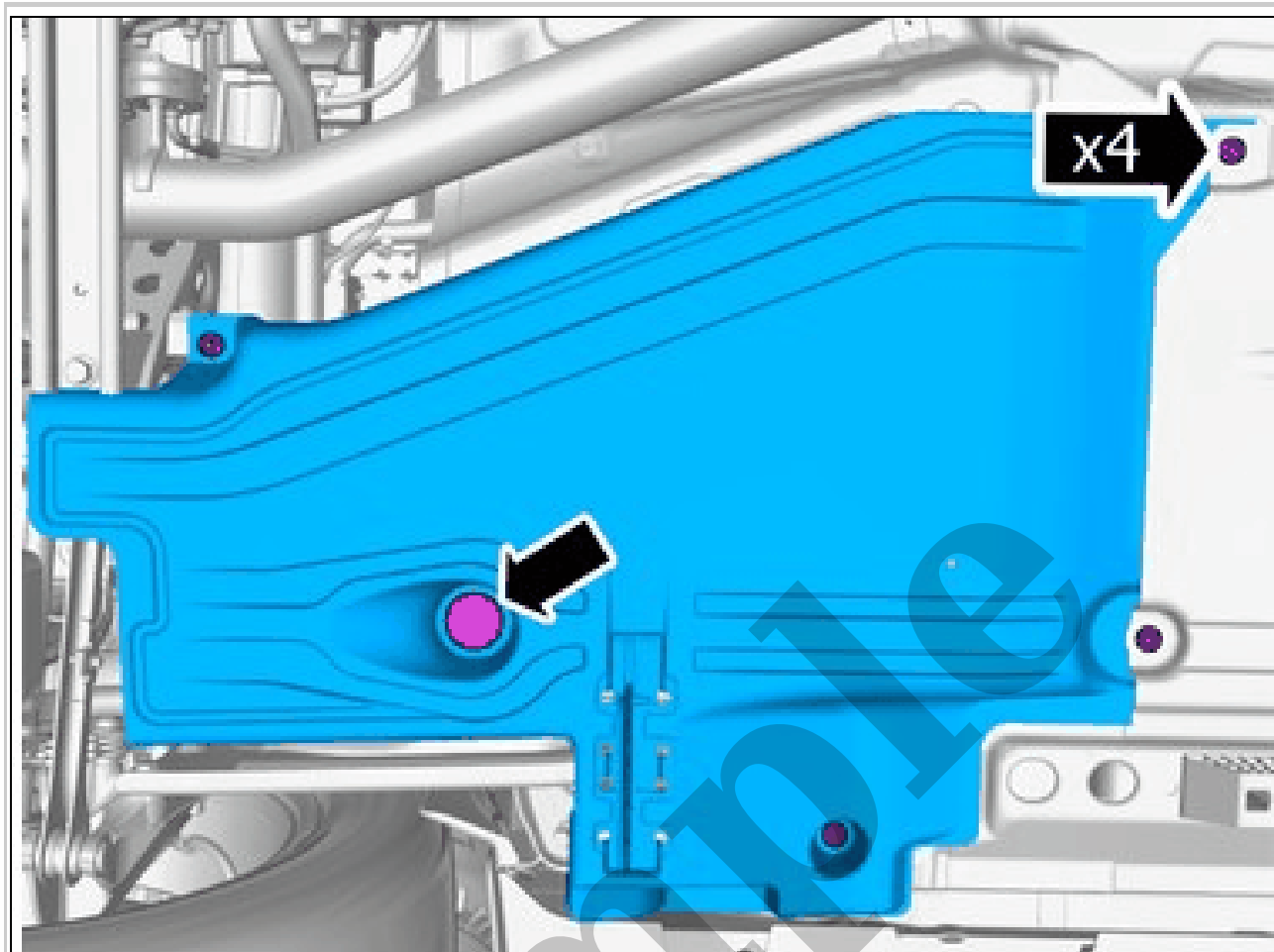


Courtesy of VOLVO CARS CORPORATION

Remove the marked part.

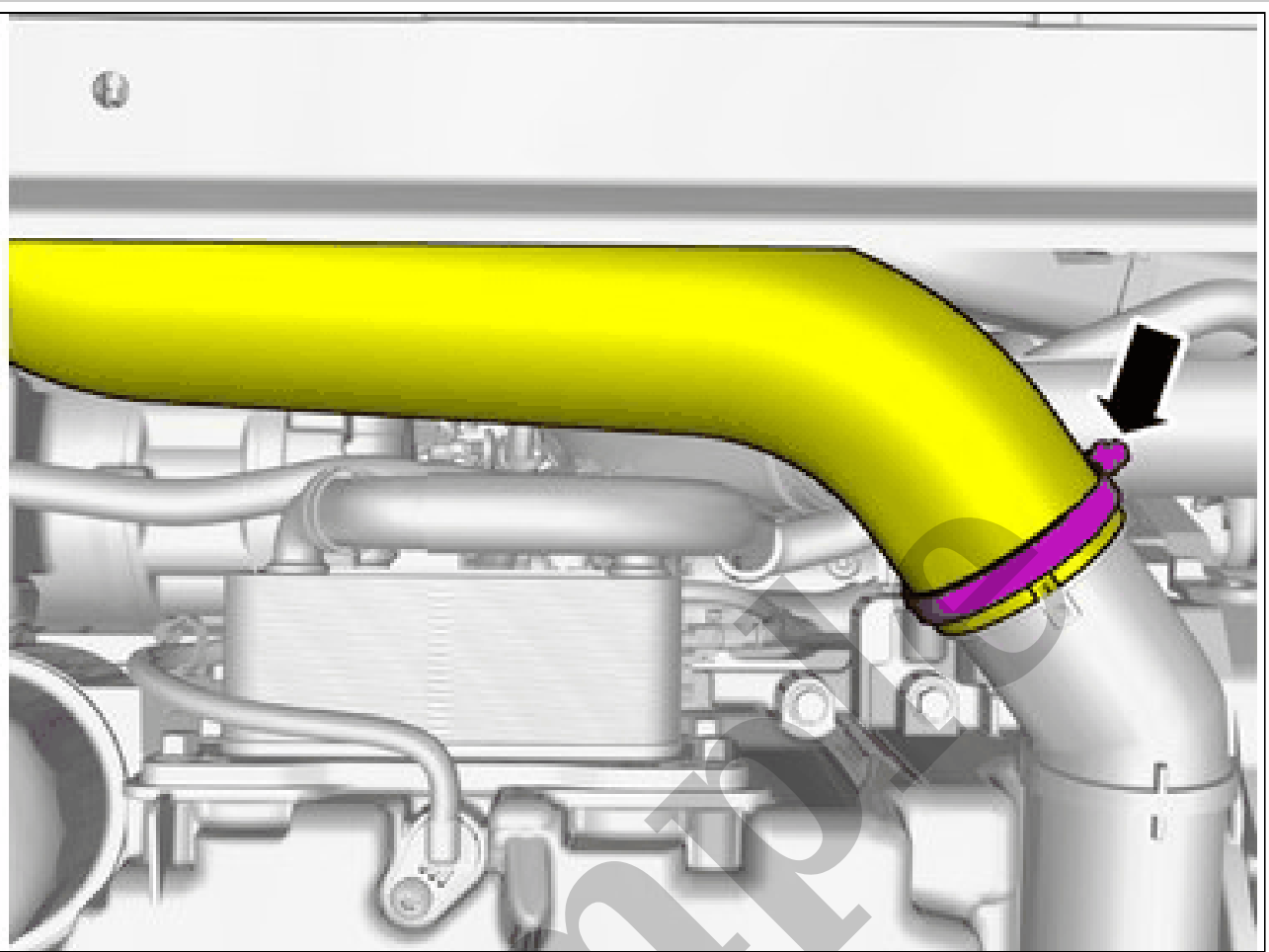
POSITION SENSOR, WHEEL SUSPENSION FRONT > POSITION SENSOR, WHEEL SUSPENSION FRONT [2018-2022] > INSTALLATION

To install, reverse the removal procedure.



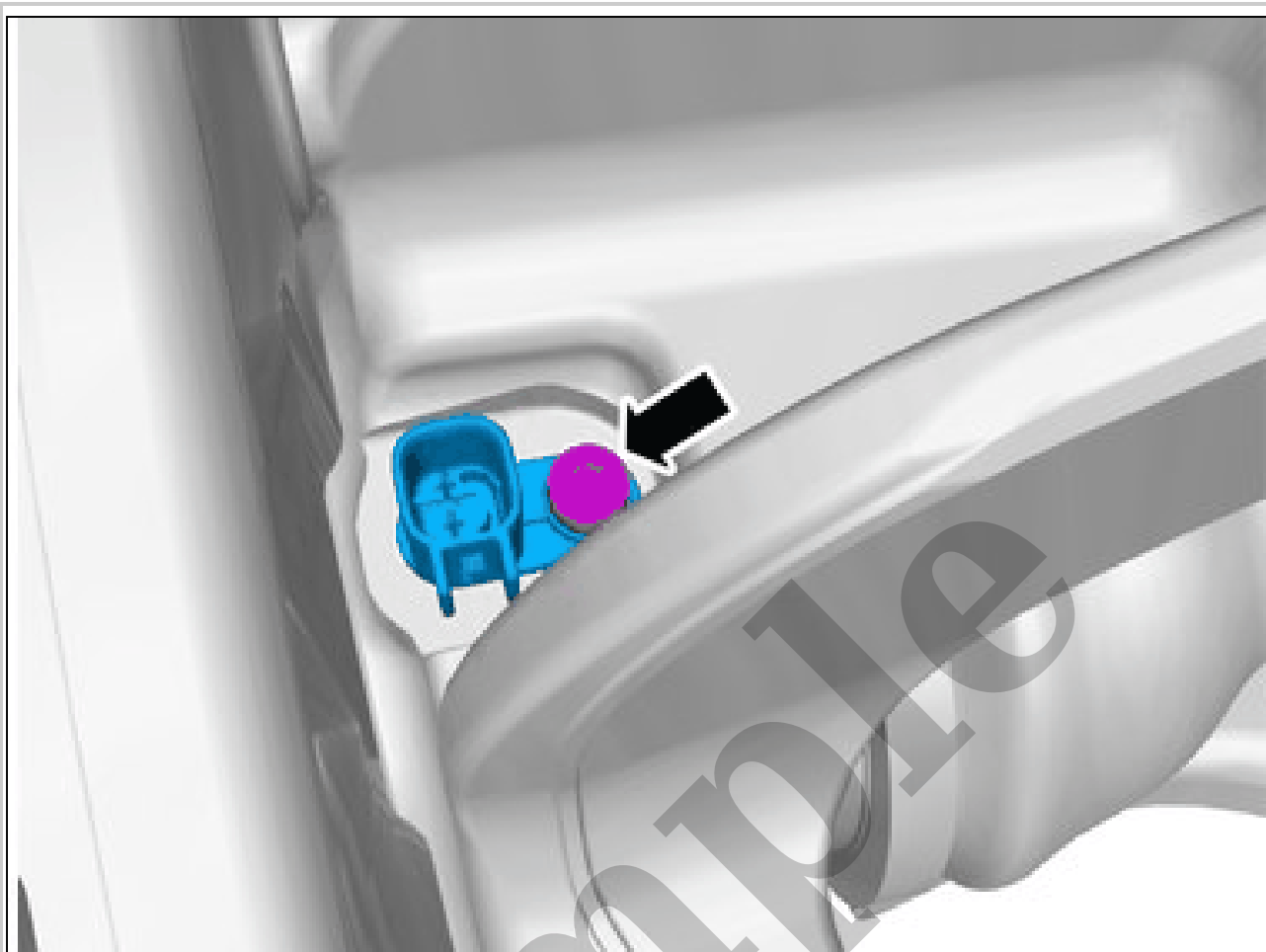
Courtesy of VOLVO CARS CORPORATION

Remove the nuts.
Remove the clip.



Courtesy of VOLVO CARS CORPORATION

Loosen the hose clamp.
Loosen the component indicated. Do not remove it.



Courtesy of VOLVO CARS CORPORATION

Remove the screw.

Torque: Rpm sensor for wheel spindle, 10Nm

Remove the marked part.

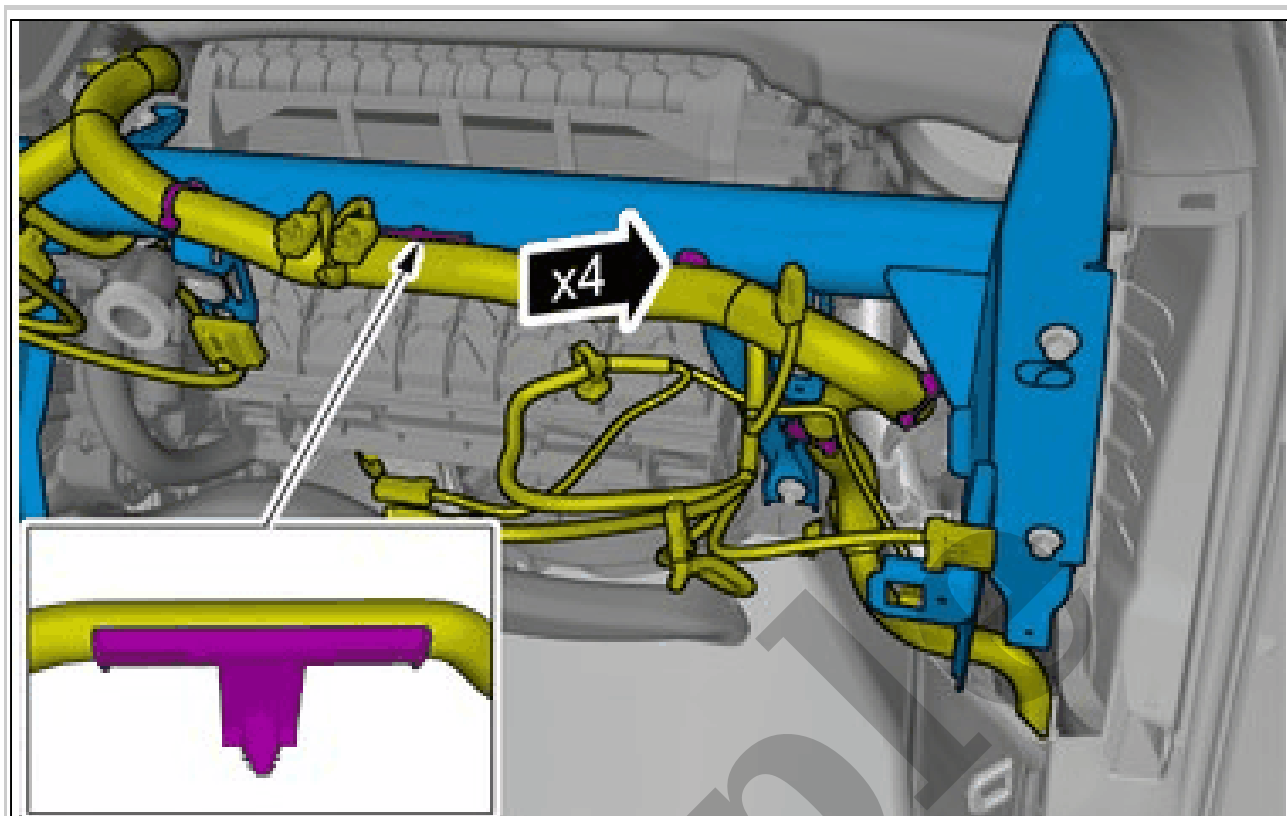
WHEEL SPEED SENSOR, FRONT > WHEEL SPEED SENSOR, FRONT [2018-2022] > INSTALLATION

To install, reverse the removal procedure.

WHEEL SPEED SENSOR, REAR > WHEEL SPEED SENSOR, REAR [2018-2022] > REMOVAL

NOTE: *Removal steps in this procedure may contain installation details.*

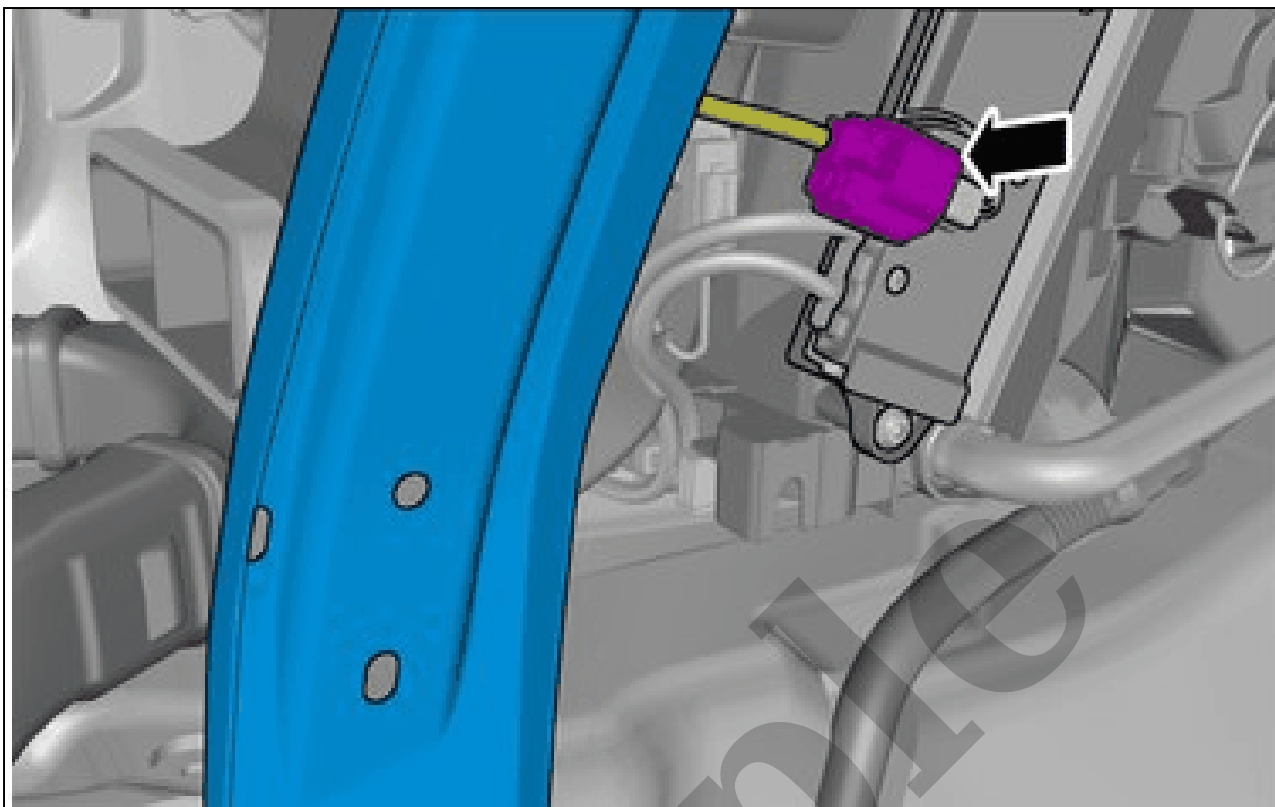
Remove the wheel. Refer to: WHEELS



Courtesy of VOLVO CARS CORPORATION

CAUTION: *The number of connectors, cables and cable ties may vary depending on the vehicle specification.*

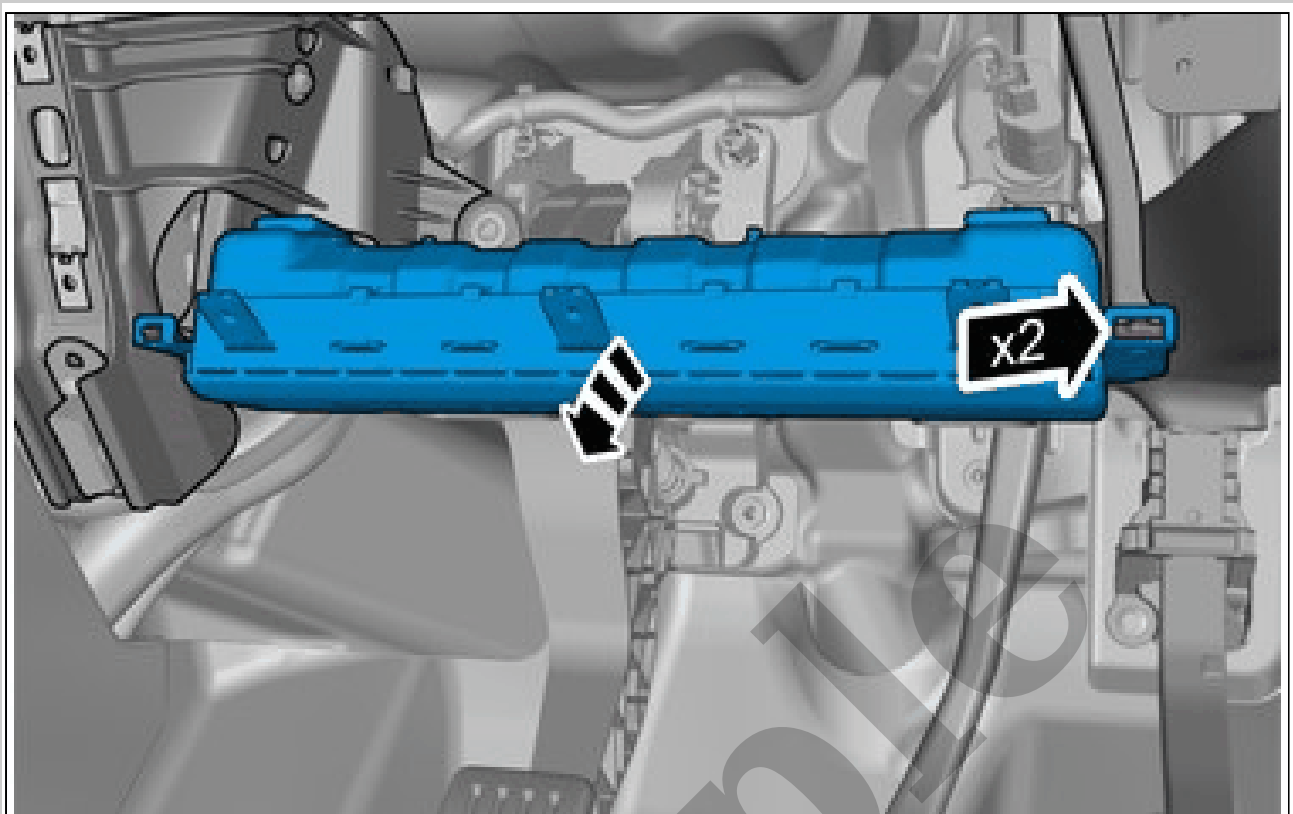
Remove the cable harness clips.
Fold marked part aside.



Courtesy of VOLVO CARS CORPORATION

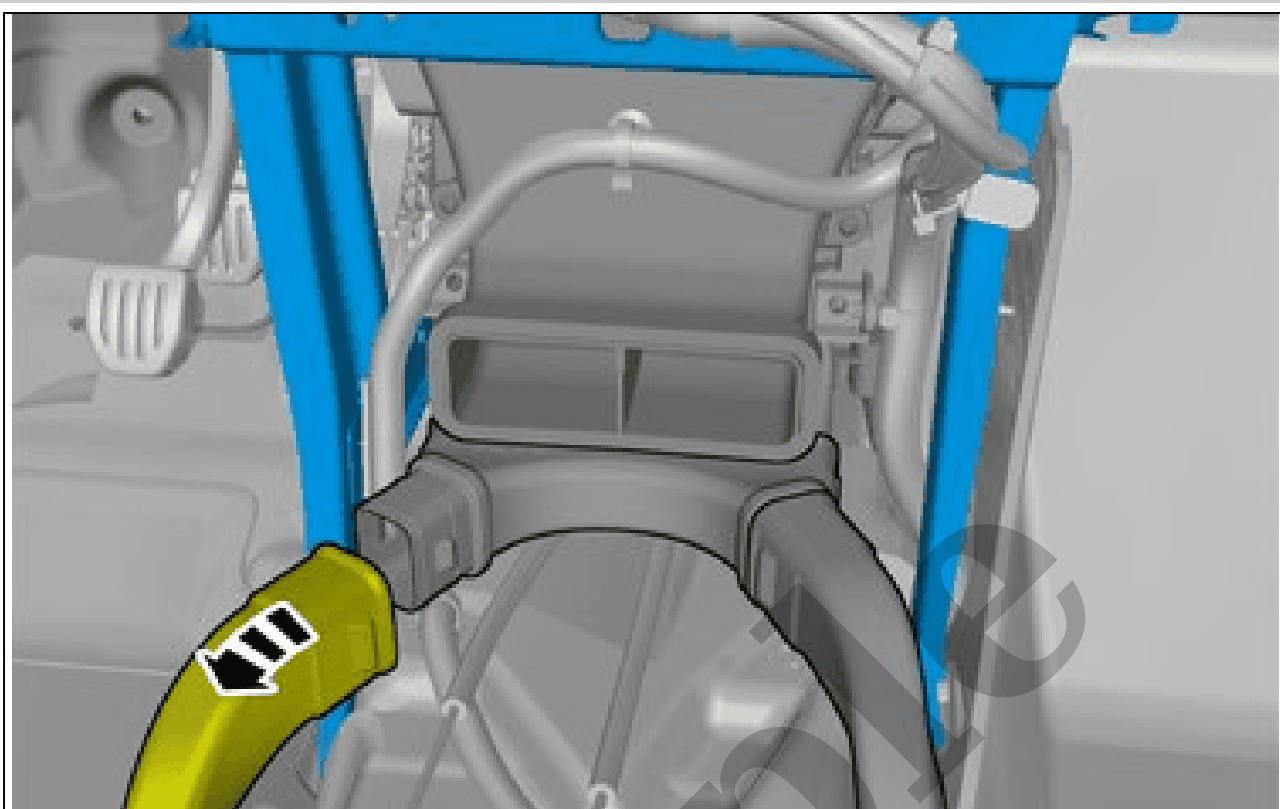
Disconnect the connector.
ALL VEHICLES

Sample



Courtesy of VOLVO CARS CORPORATION

Release the catches.
Remove the part carefully



Courtesy of VOLVO CARS CORPORATION

Remove the part carefully
Fold marked part aside.