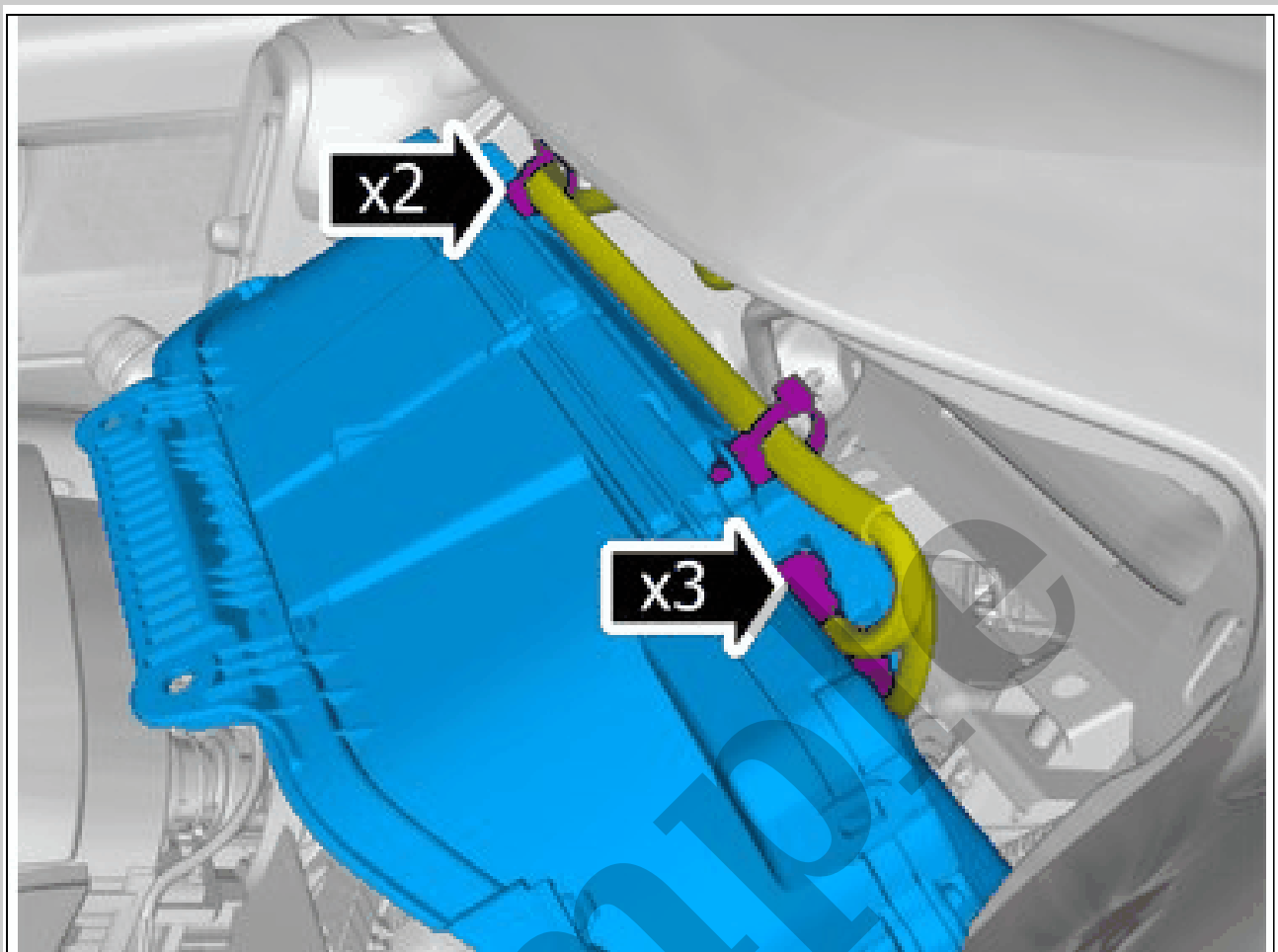


Your Ultimate Source for OEM Repair Manuals

FactoryManuals.net is a great resource for anyone who wants to save money on repairs by doing their own work. The manuals provide detailed instructions and diagrams that make it easy to understand how to fix a vehicle.

1995 VOLVO 850 R OEM Service and Repair Workshop Manual

[Go to manual page](#)



Courtesy of VOLVO CARS CORPORATION

NOTE: *The number of electrical wires may vary depending on vehicle equipment specification.*

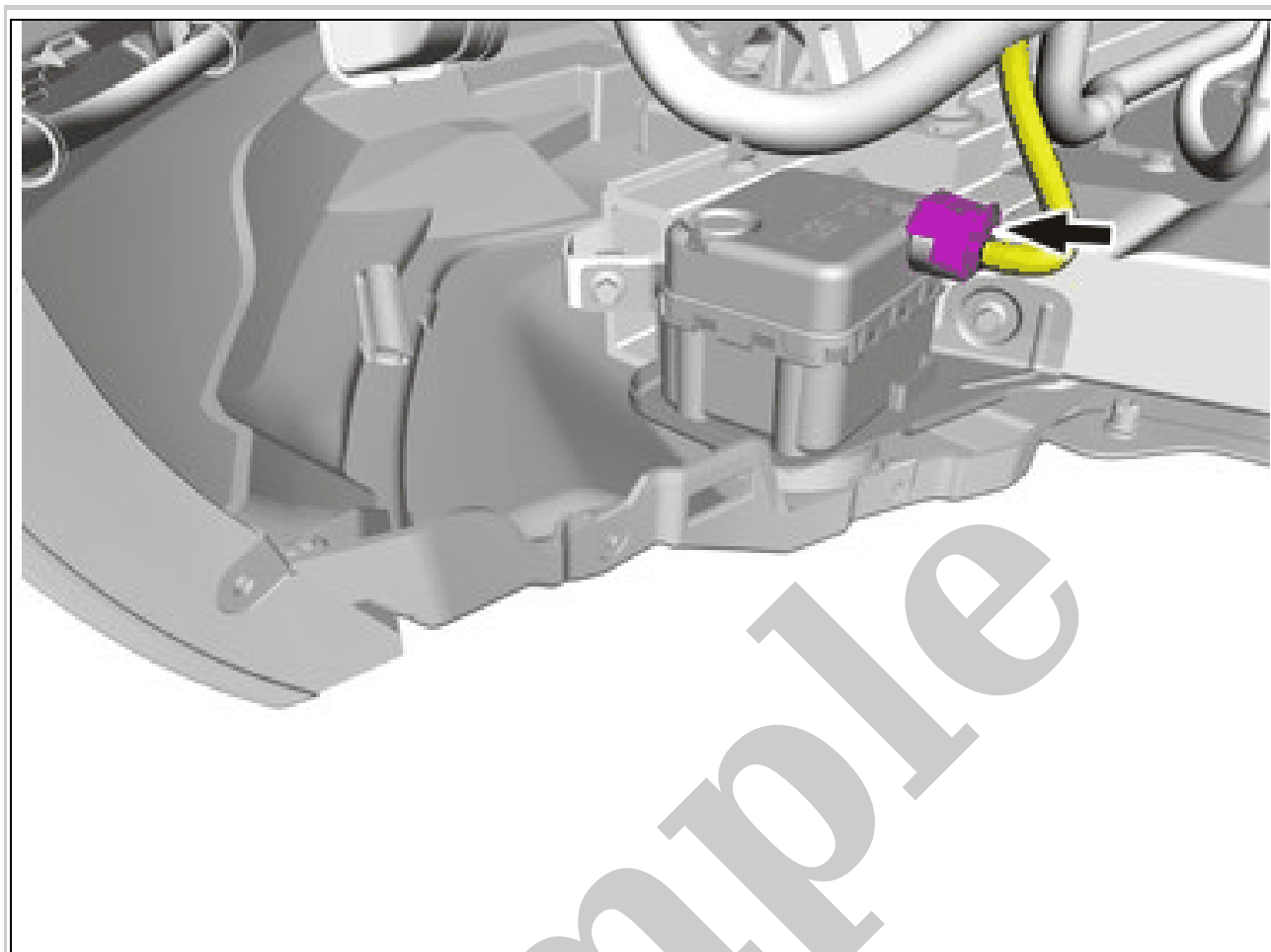
Disconnect the connectors.
Remove the cable harness clips.
Remove the marked part.

DRIVER INFORMATION MODULE > DRIVER INFORMATION MODULE (DIM) [2018-2022] > INSTALLATION

To install, reverse the removal procedure.

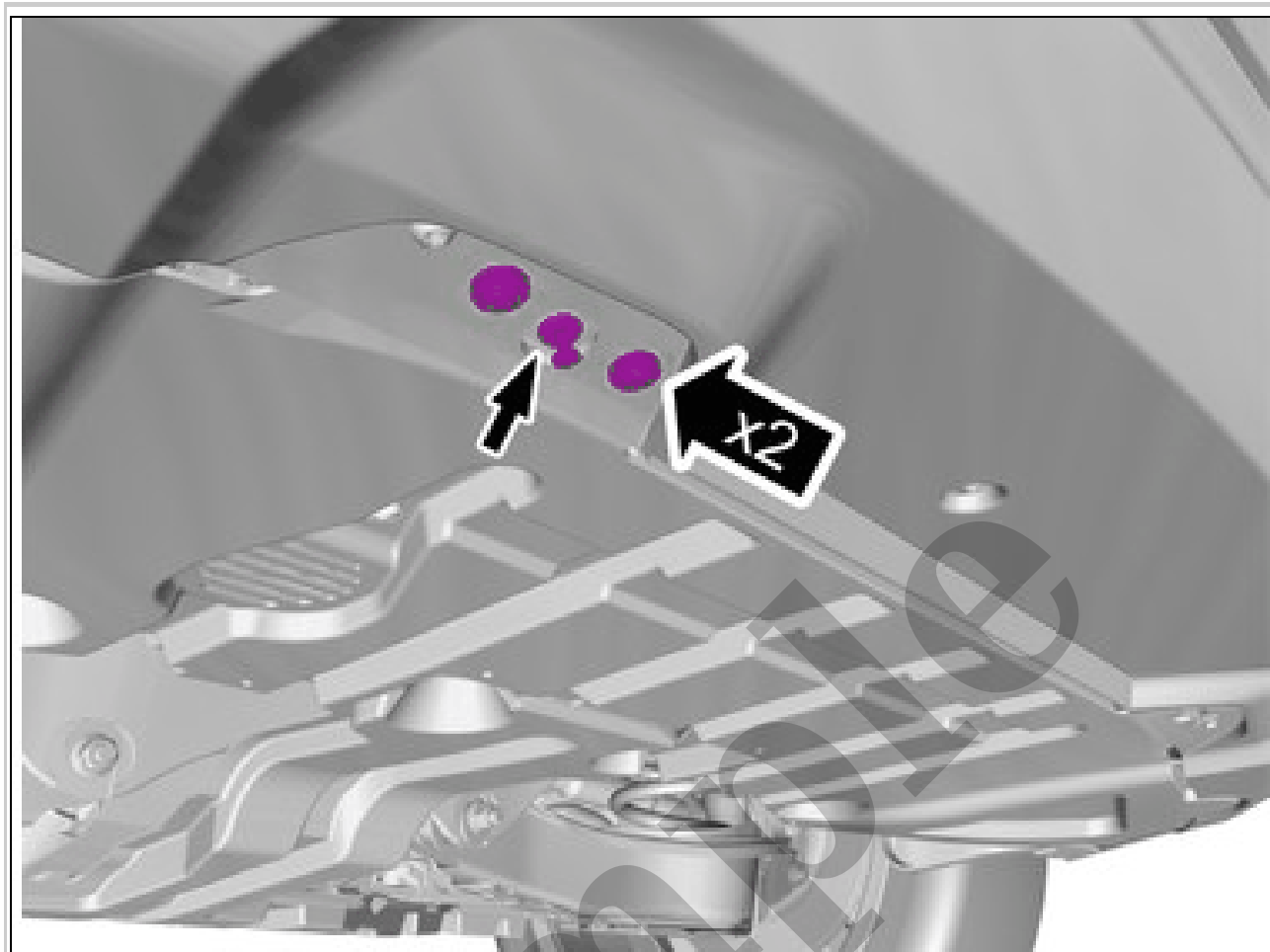
NOTE: *The following steps are only necessary when installing a new component.*

Order and download the appropriate software according to: VIDA/Software/Hardware Changes



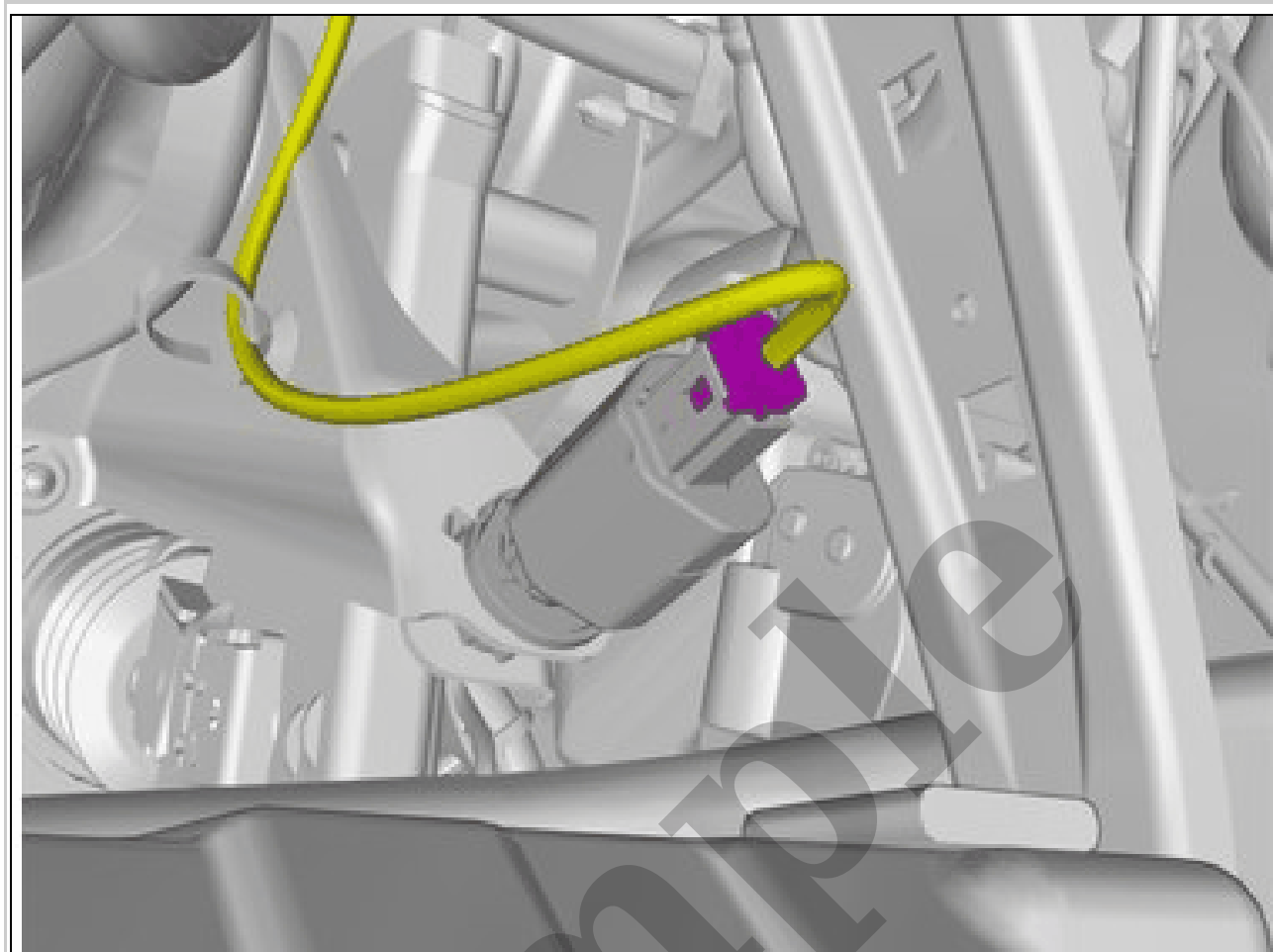
Courtesy of VOLVO CARS CORPORATION

Disconnect the connector.



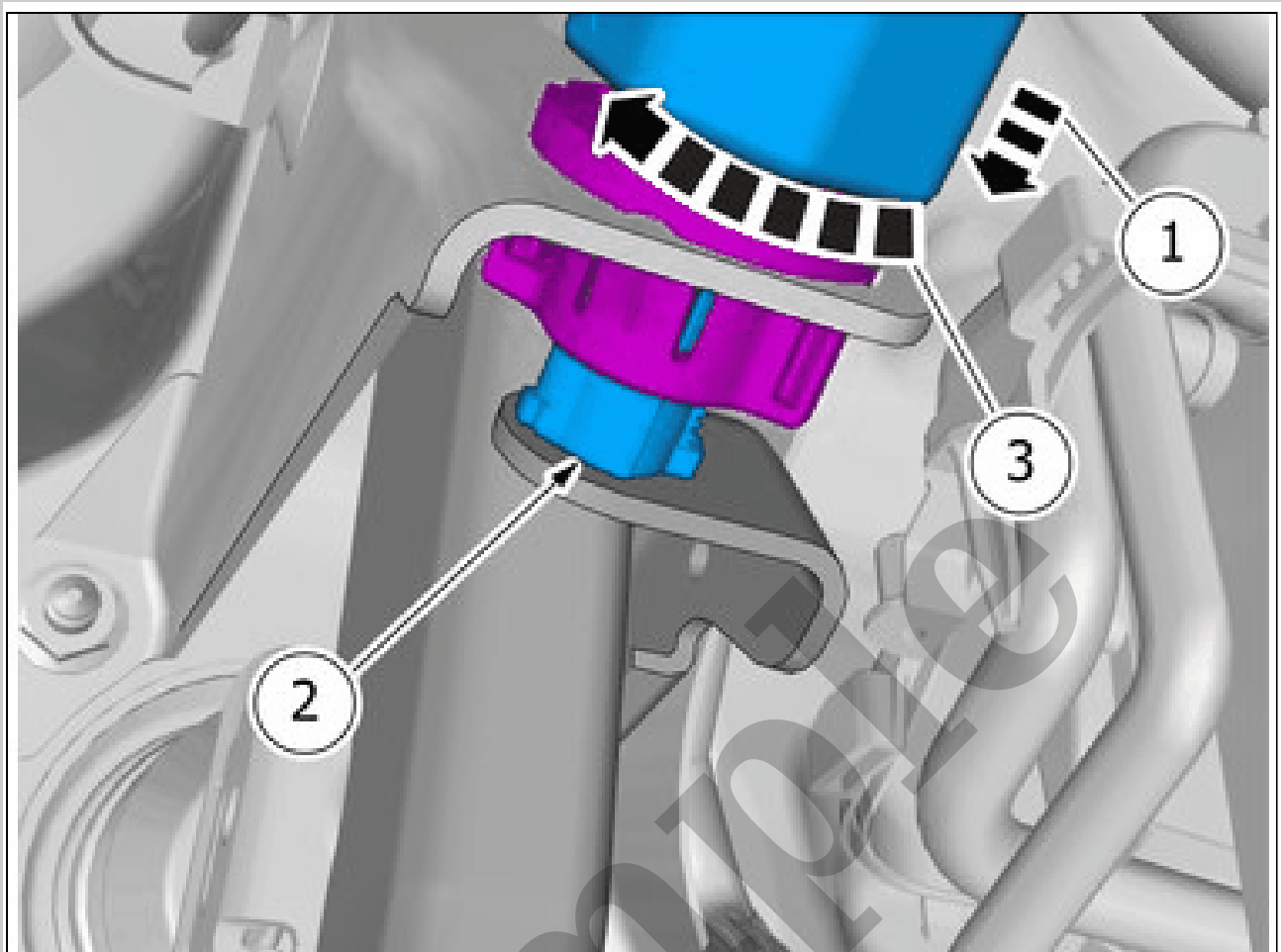
Courtesy of VOLVO CARS CORPORATION

Remove the clip.
Remove the screws.
Repeat on the other side.



Courtesy of VOLVO CARS CORPORATION

Disconnect the connector.

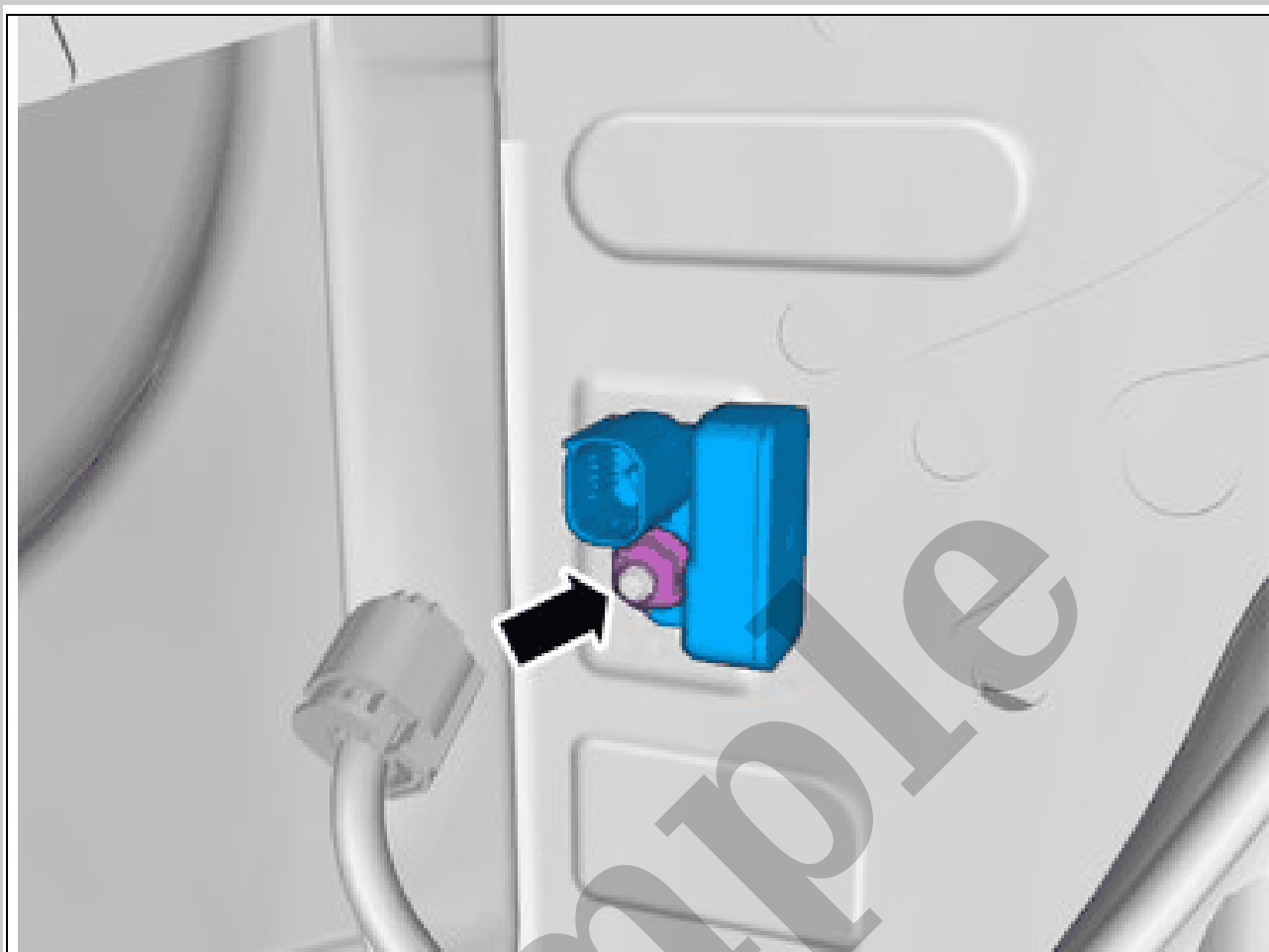


Courtesy of VOLVO CARS CORPORATION

1. Install the marked component.

NOTE: *Ensure that the component is in contact with the surface, with no space.*

- 2.
3. Turn in direction of arrow until stop.



Courtesy of VOLVO CARS CORPORATION

Remove the screw.
Remove the marked part.
Torque: M6, 10Nm

ACCELERATION SENSOR VERTICAL MOTION REAR > ACCELERATION SENSOR VERTICAL MOTION REAR [2019-2022] > INSTALLATION

To install, reverse the removal procedure.

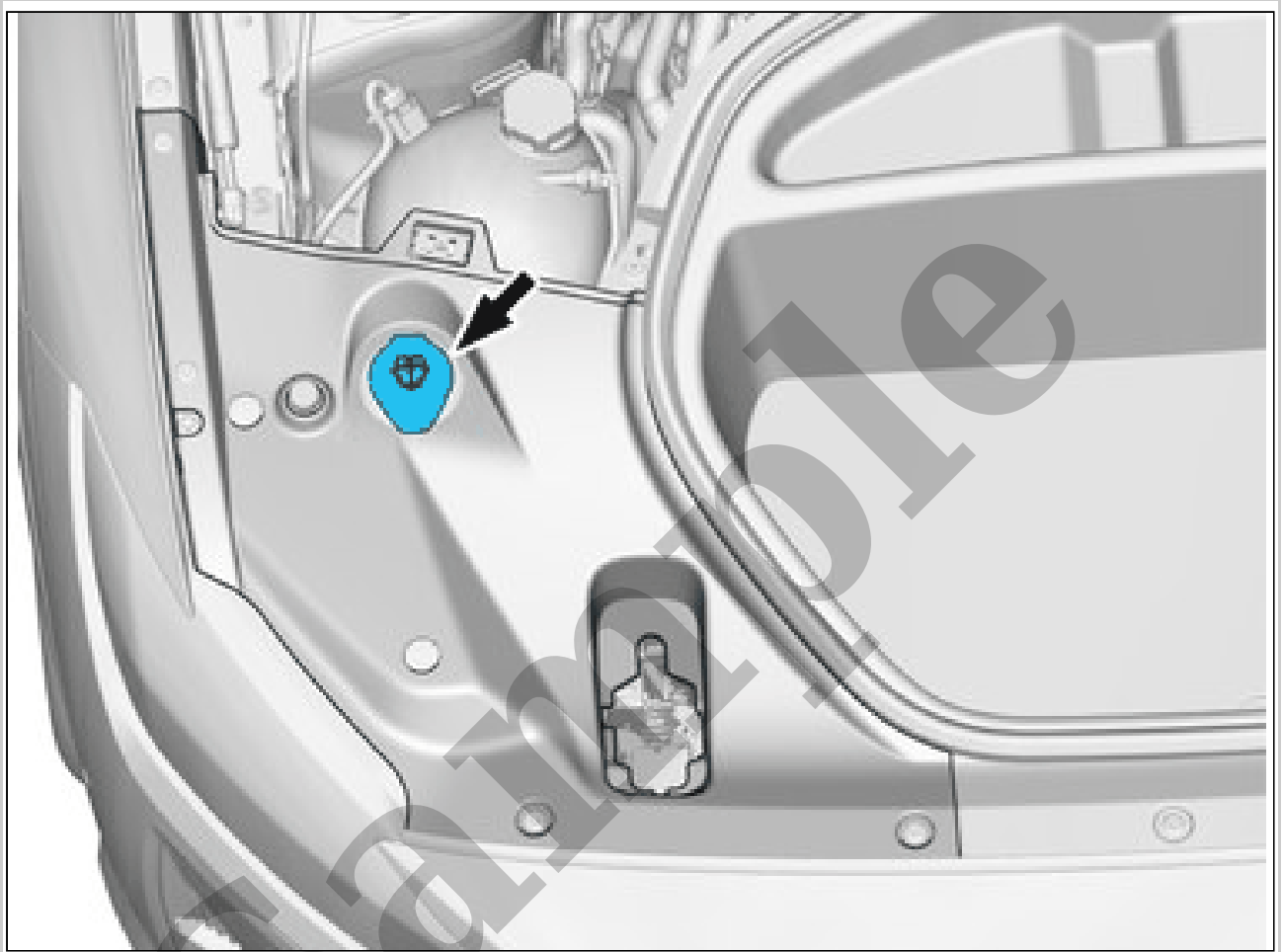
ACCELEROMETER AND YAW ANGLE SENSOR > ACCELEROMETER AND YAW ANGLE SENSOR [2018-2022] > REMOVAL

NOTE: *Removal steps in this procedure may contain installation details.*

Remove relevant side wheel. Refer to: WHEELS

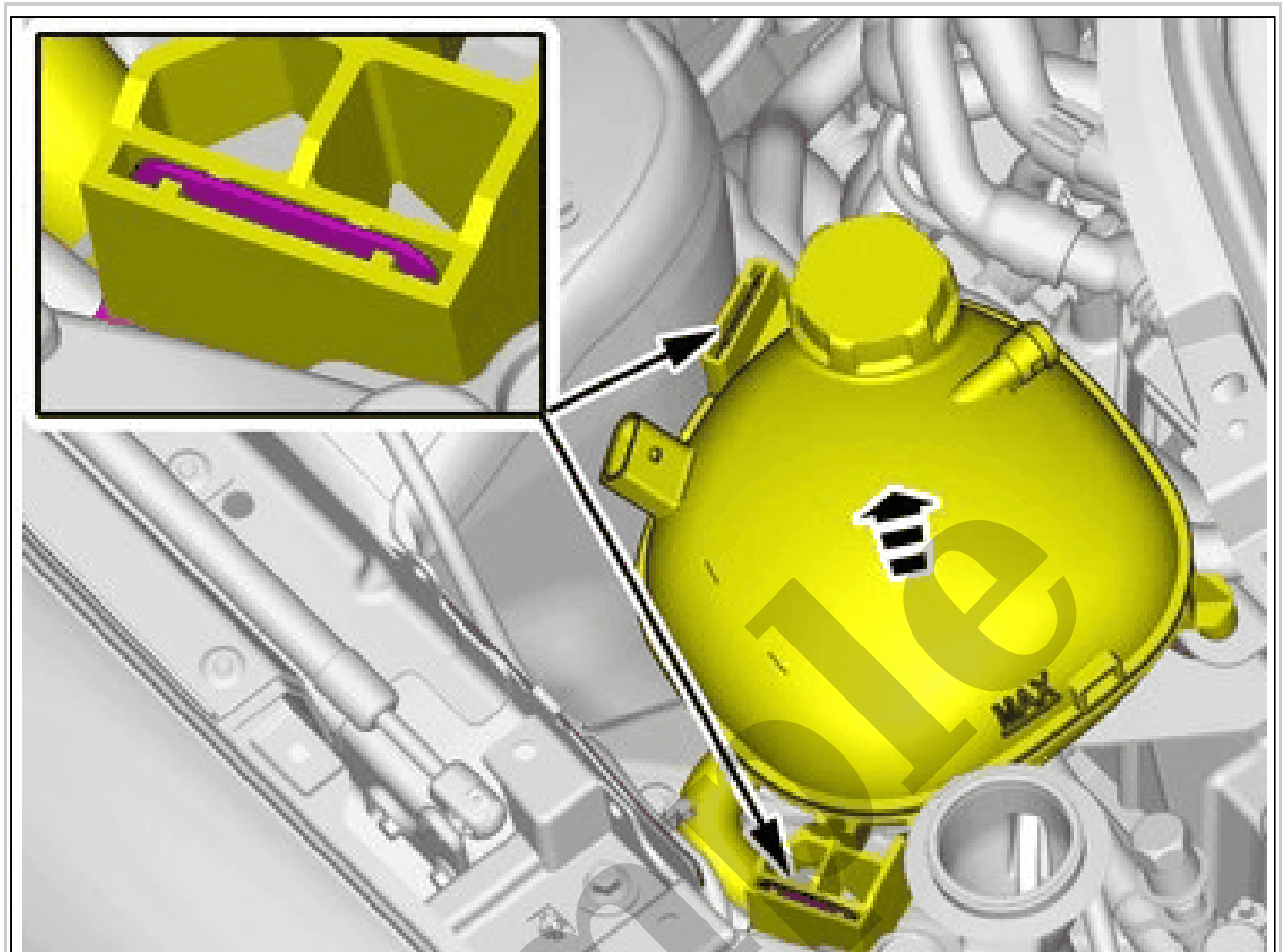
COOLANT LEVEL SENSOR, ELECTRIC DRIVETRAIN > COOLANT LEVEL SENSOR, ELECTRIC DRIVETRAIN [2021-2022, E400V6] > REMOVAL

Drain cooling system electric powertrain, draining, filling, and bleeding. Refer to: ELECTRIC DRIVETRAIN COOLING SYSTEM, DRAINING, FILLING, AND BLEEDING



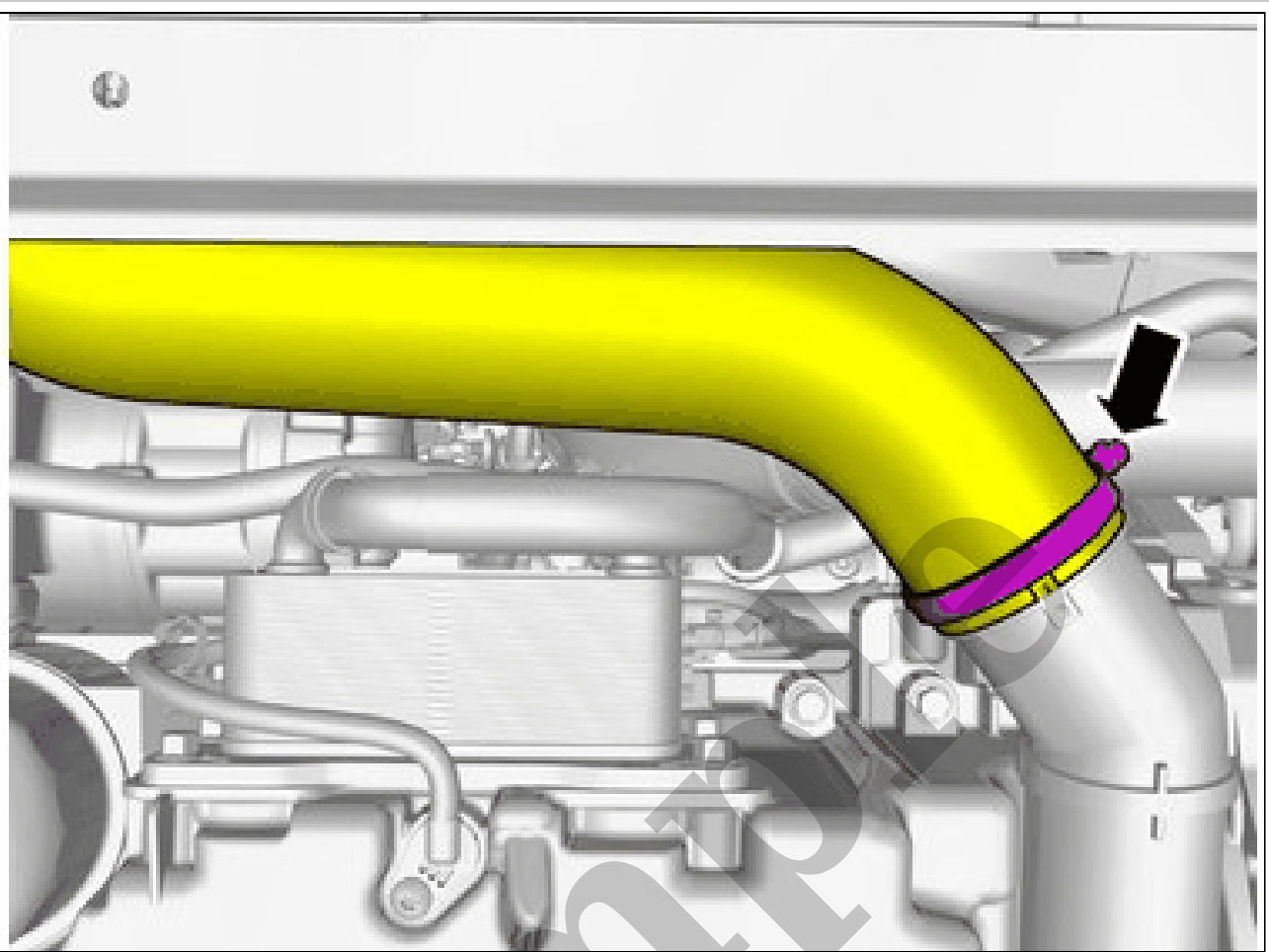
Courtesy of VOLVO CARS CORPORATION

Remove the marked part.



Courtesy of VOLVO CARS CORPORATION

Lift the marked component up



Courtesy of VOLVO CARS CORPORATION

Loosen the hose clamp.
Loosen the component indicated. Do not remove it.