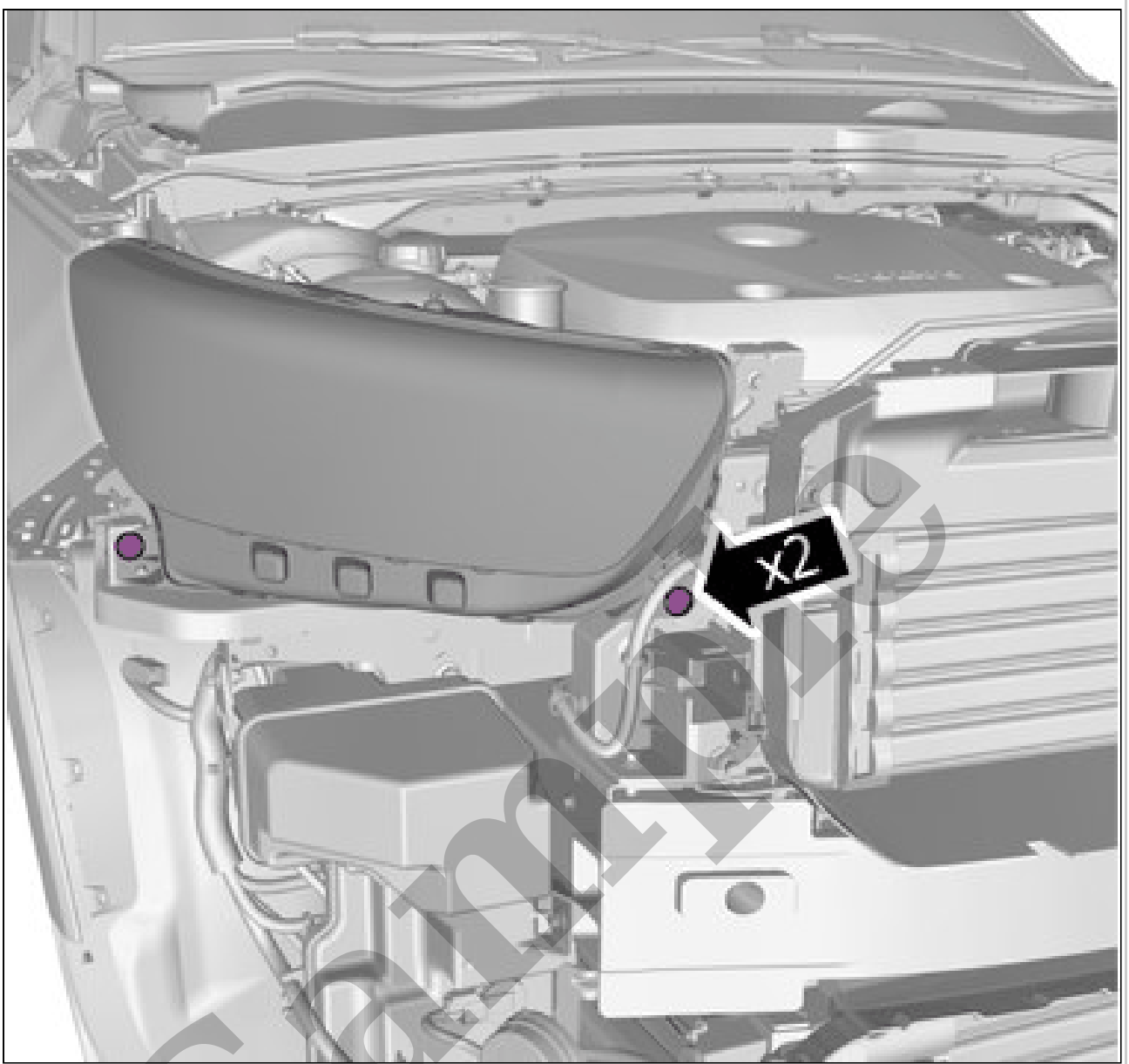


Your Ultimate Source for OEM Repair Manuals

FactoryManuals.net is a great resource for anyone who wants to save money on repairs by doing their own work. The manuals provide detailed instructions and diagrams that make it easy to understand how to fix a vehicle.

1995 VOLVO 850 OEM Service and Repair Workshop Manual

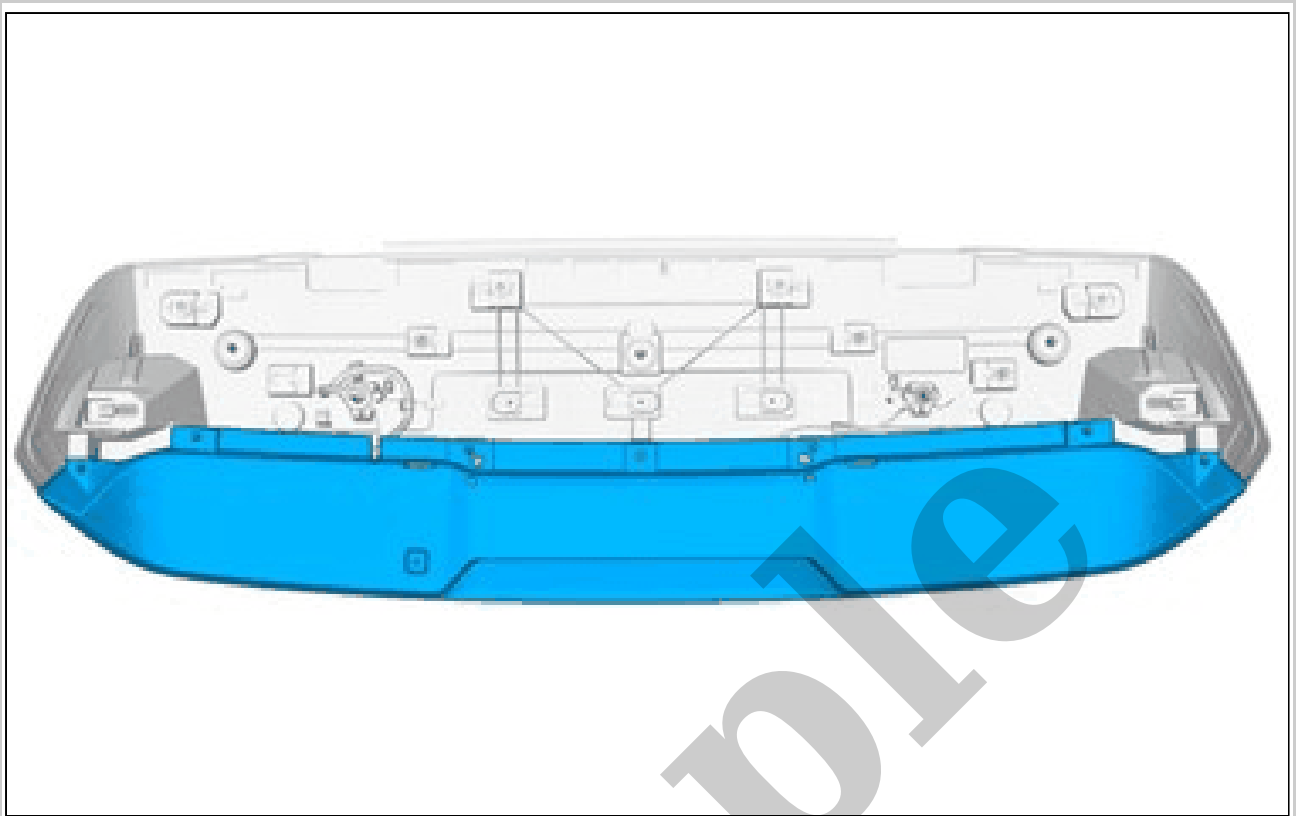
[Go to manual page](#)



Courtesy of VOLVO CARS CORPORATION

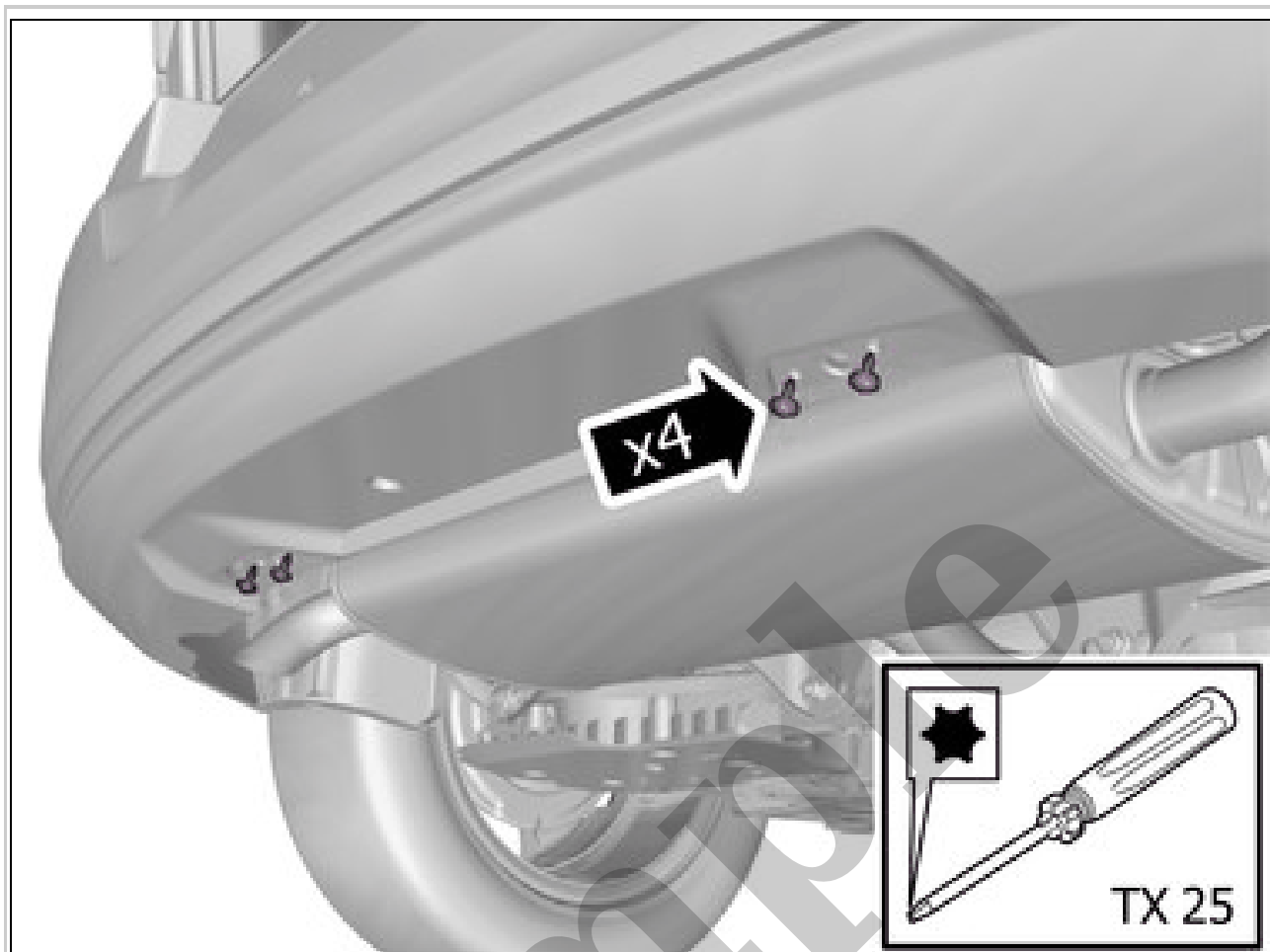
Remove the screws.

Remove the screws.



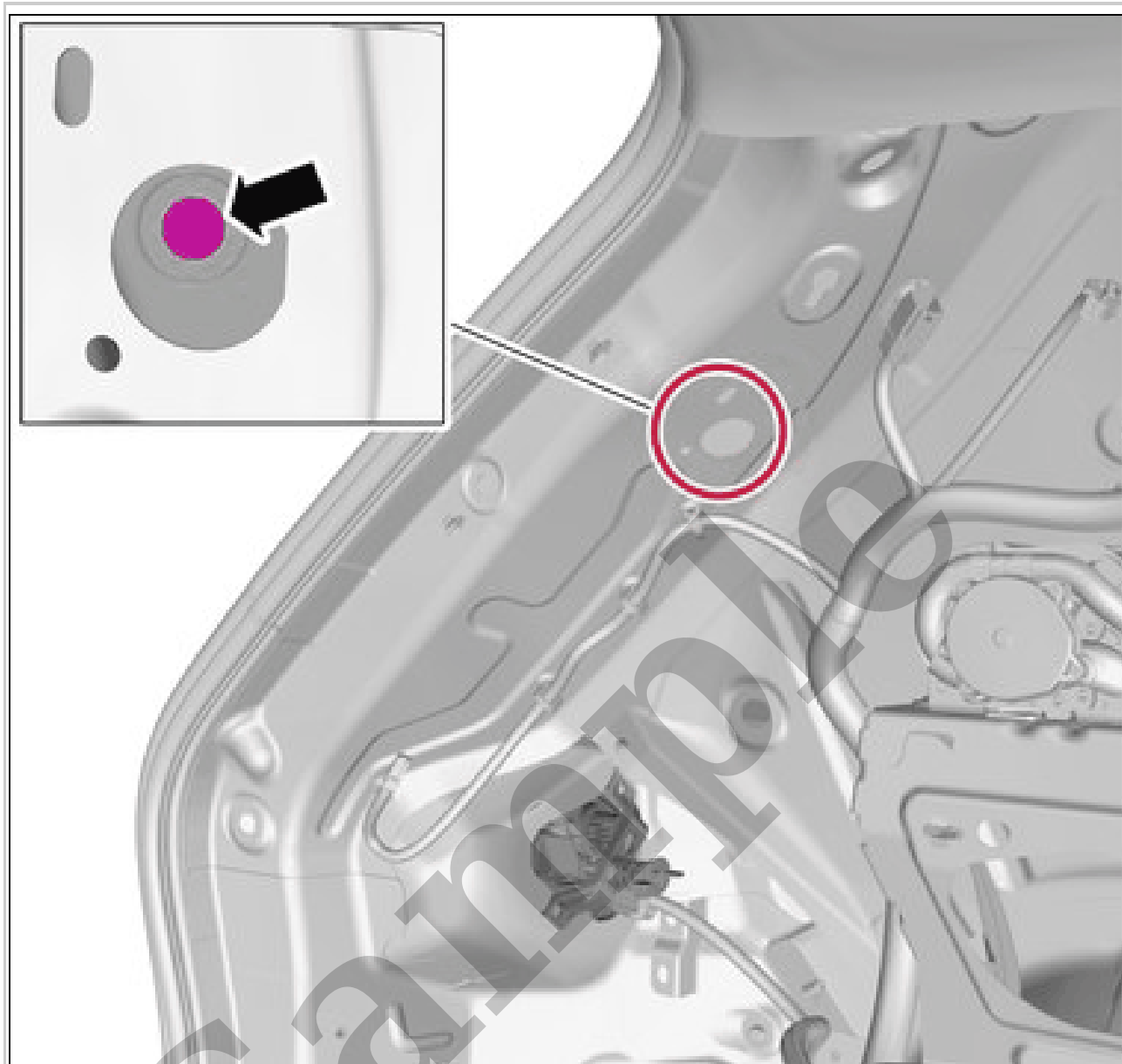
Courtesy of VOLVO CARS CORPORATION

Remove the marked part.



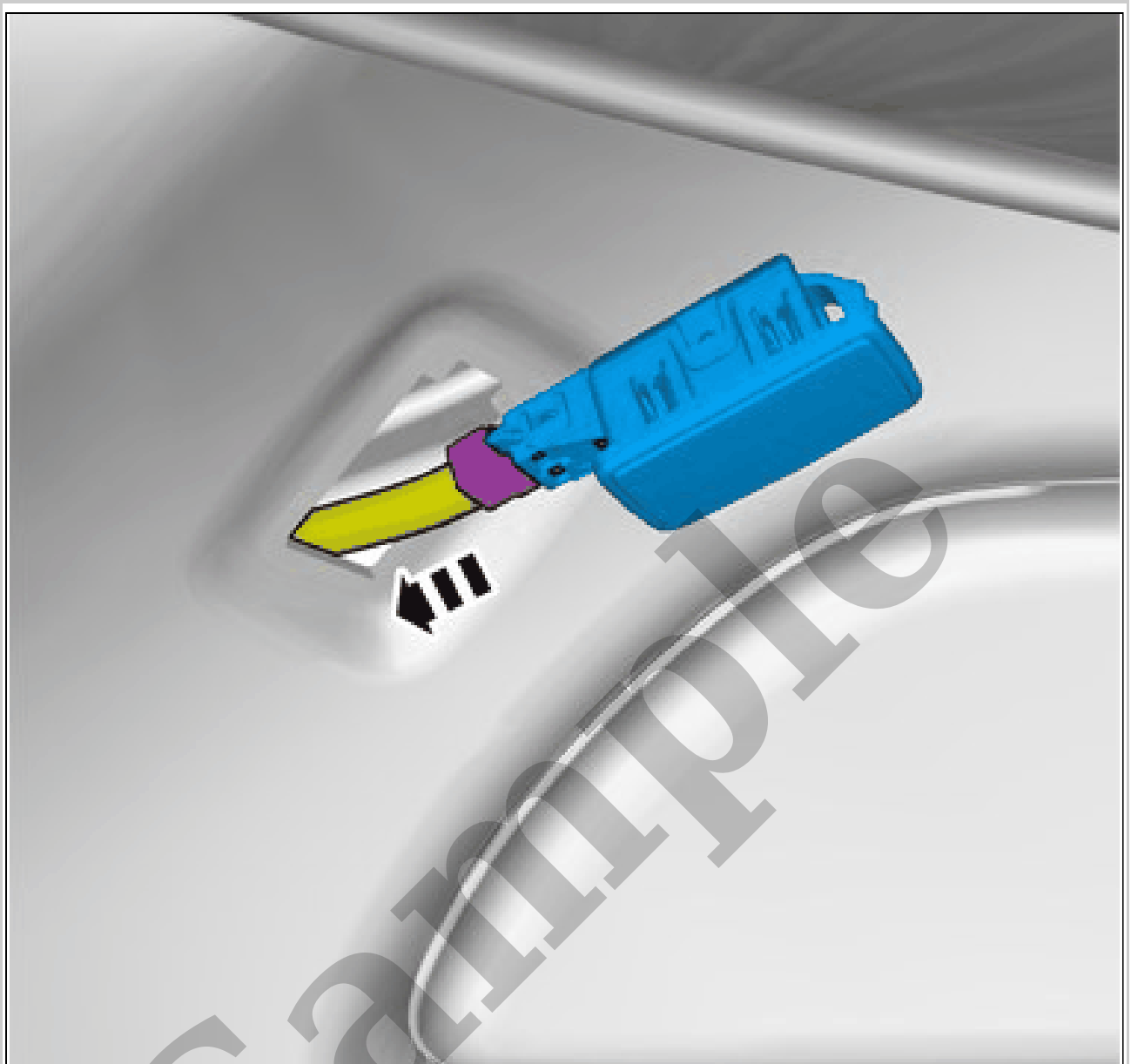
Courtesy of VOLVO CARS CORPORATION

Remove the screws.



Courtesy of VOLVO CARS CORPORATION

Torque: Tail lamp, to body, 3Nm
Remove the screw.



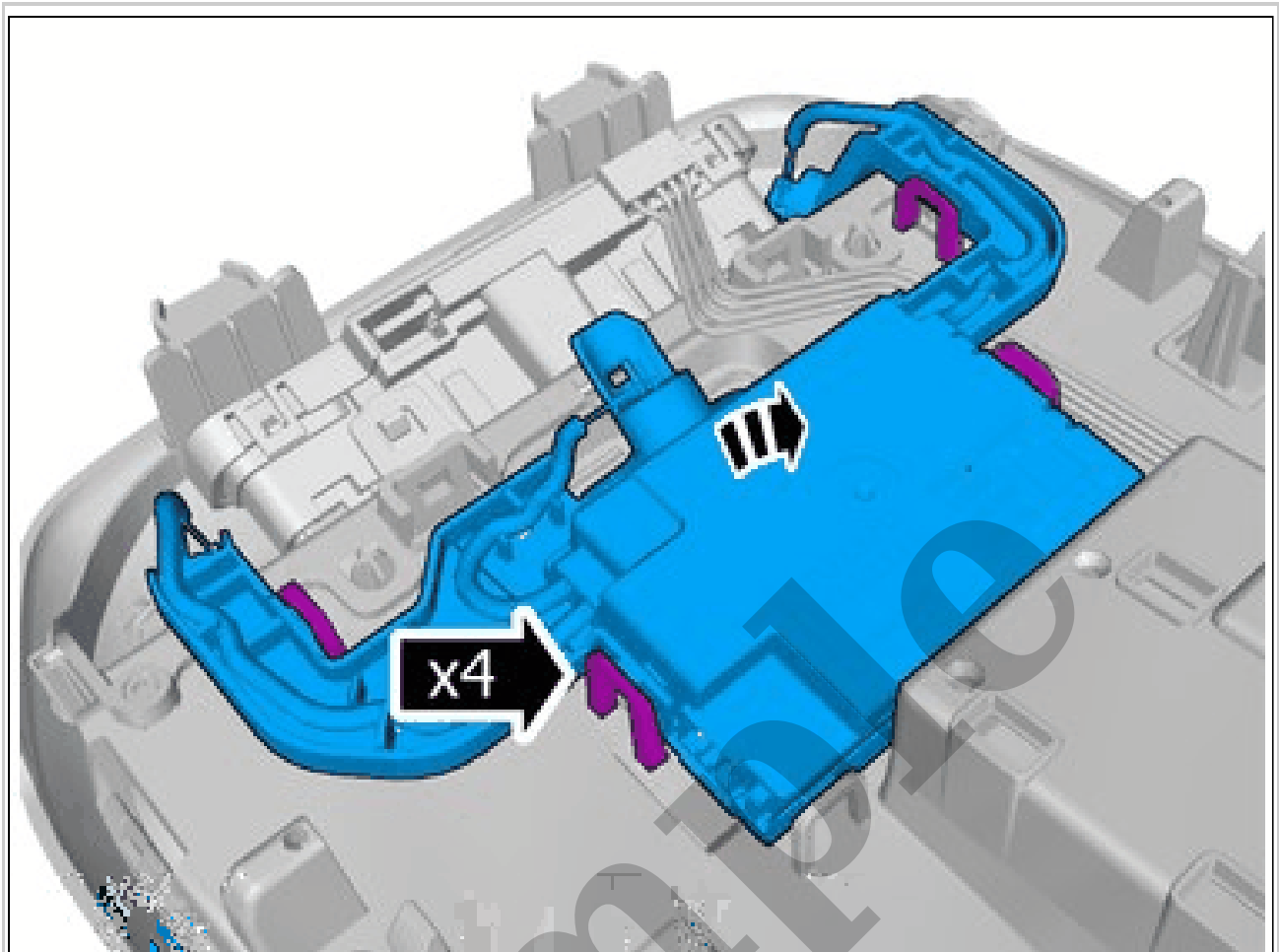
Courtesy of VOLVO CARS CORPORATION

Disconnect the connector.

**LUGGAGE COMPARTMENT LAMP, SIDE > LUGGAGE COMPARTMENT LAMP, SIDE
[2018-2022] > INSTALLATION**

To install, reverse the removal procedure.

**LUGGAGE COMPARTMENT LAMP, TAILGATE > LUGGAGE COMPARTMENT LAMP,
TAILGATE [2018-2022] > REMOVAL**



Courtesy of VOLVO CARS CORPORATION

Release the catches.

Use: Electrician's screwdriver

Remove the marked part.

INSTALLATION

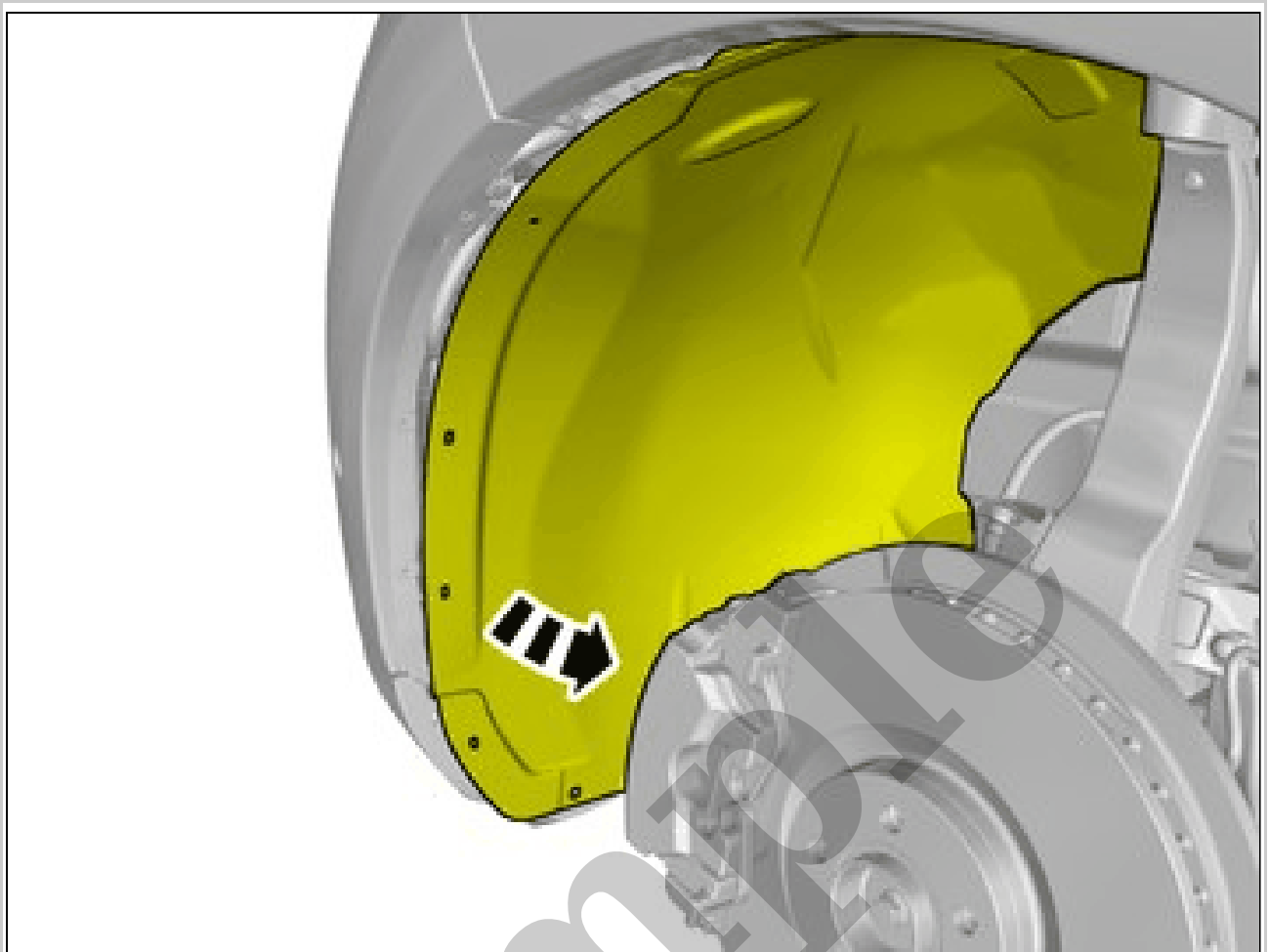
Reinstall the removed parts in reverse order.

NOTE: *This step is only necessary when installing a new component.*

Order and download the appropriate software according to: VIDA/Software/Hardware Changes
VEHICLES WITH ROOF OPENING PANEL

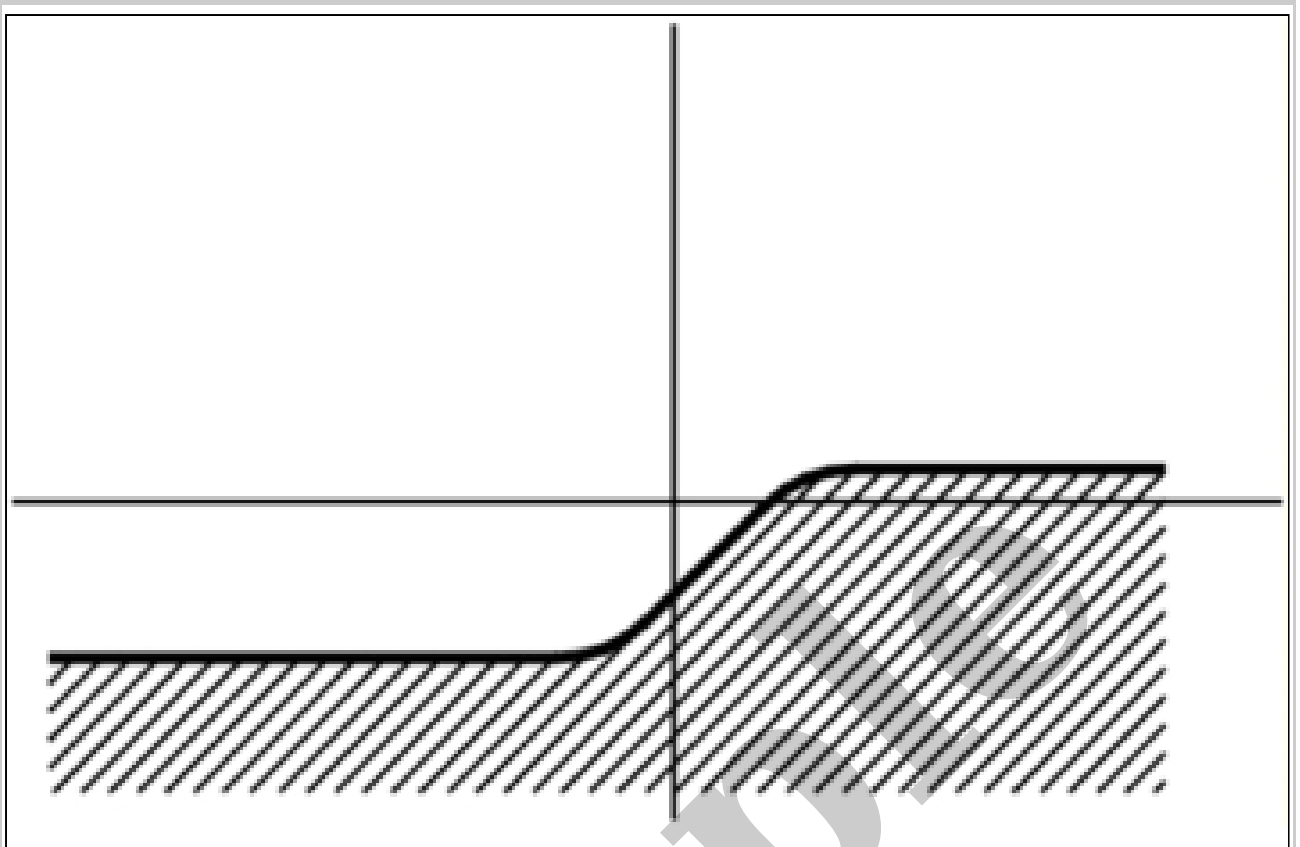
NOTE: *This step is only necessary when installing a new component.*

ALTERNATIVE 1



Courtesy of VOLVO CARS CORPORATION

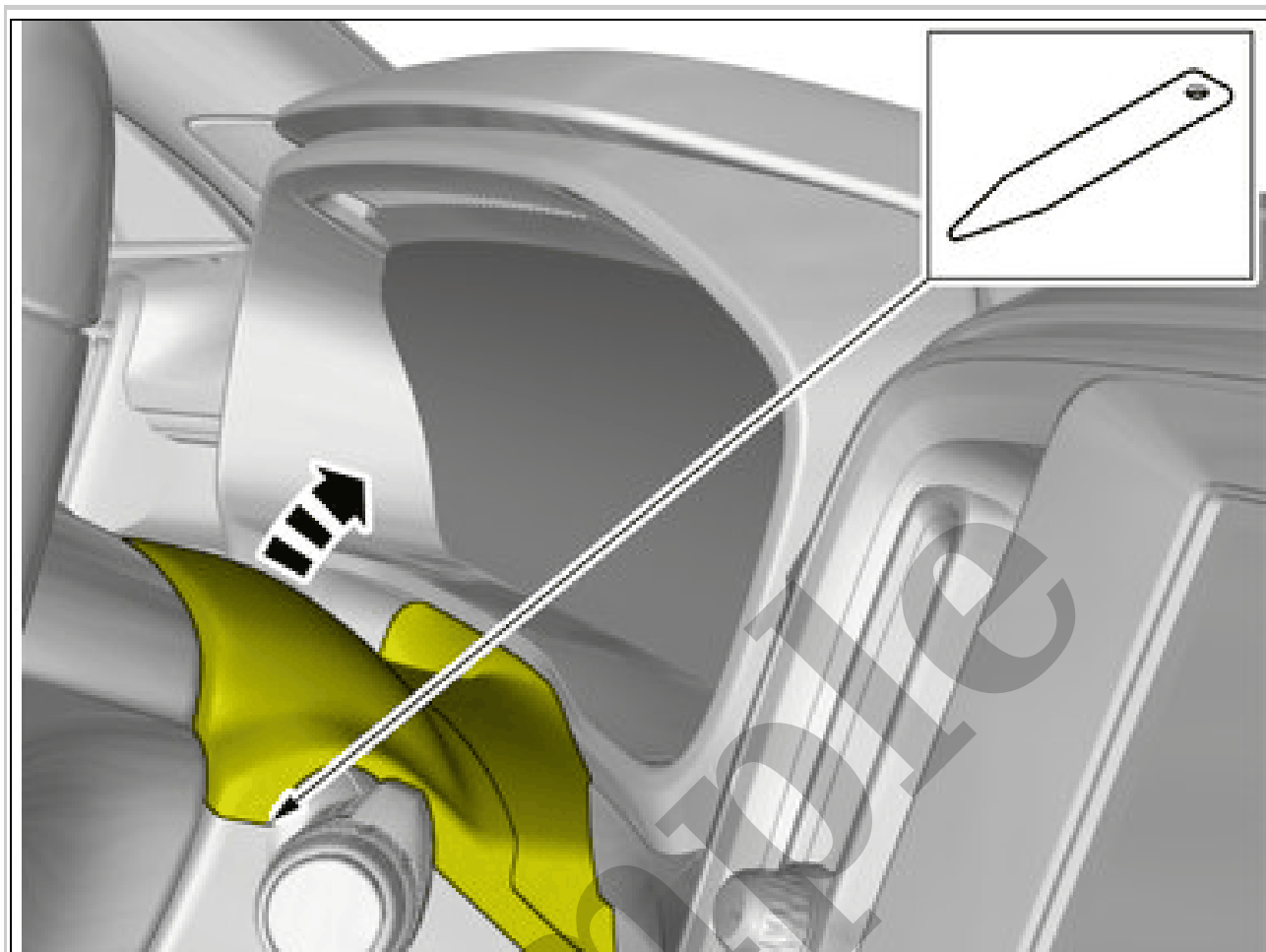
Fold the wing liner aside.



Courtesy of VOLVO CARS CORPORATION

USA

Sample



Courtesy of VOLVO CARS CORPORATION

Loosen the component indicated. Do not remove it.