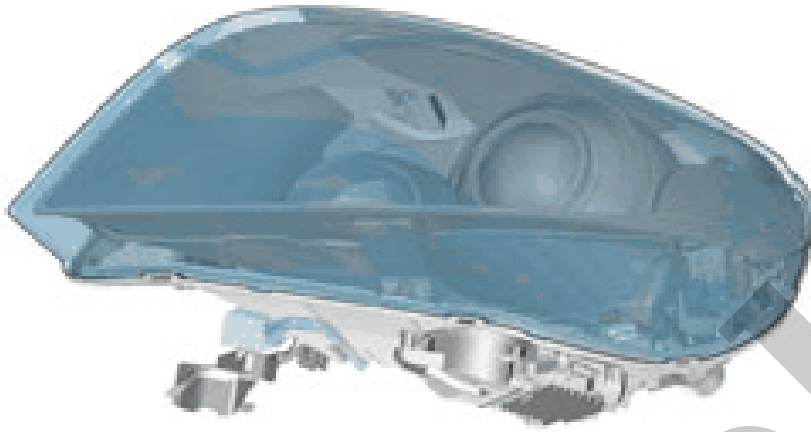
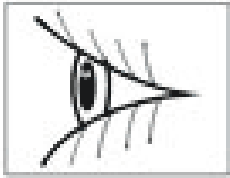


Your Ultimate Source for OEM Repair Manuals

FactoryManuals.net is a great resource for anyone who wants to save money on repairs by doing their own work. The manuals provide detailed instructions and diagrams that make it easy to understand how to fix a vehicle.

1995 VOLVO 850 Estate R OEM Service and Repair Workshop Manual

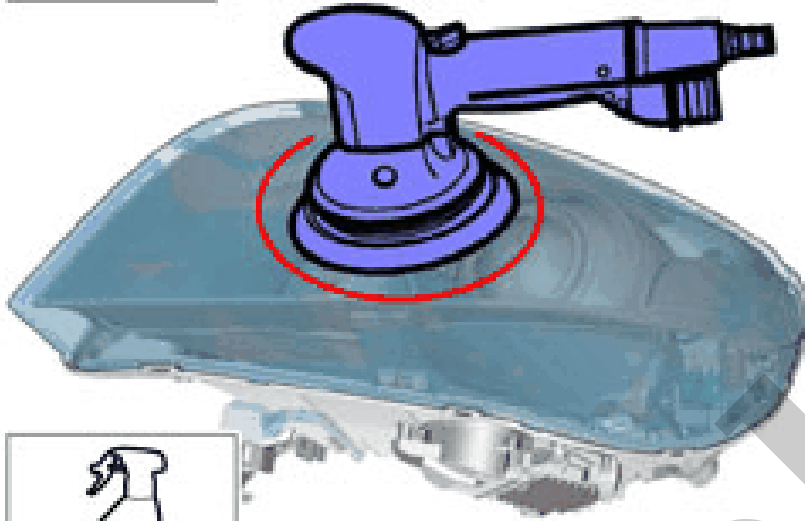
[Go to manual page](#)



Courtesy of VOLVO CARS CORPORATION

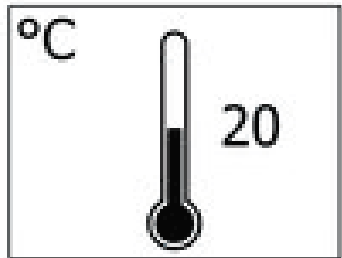
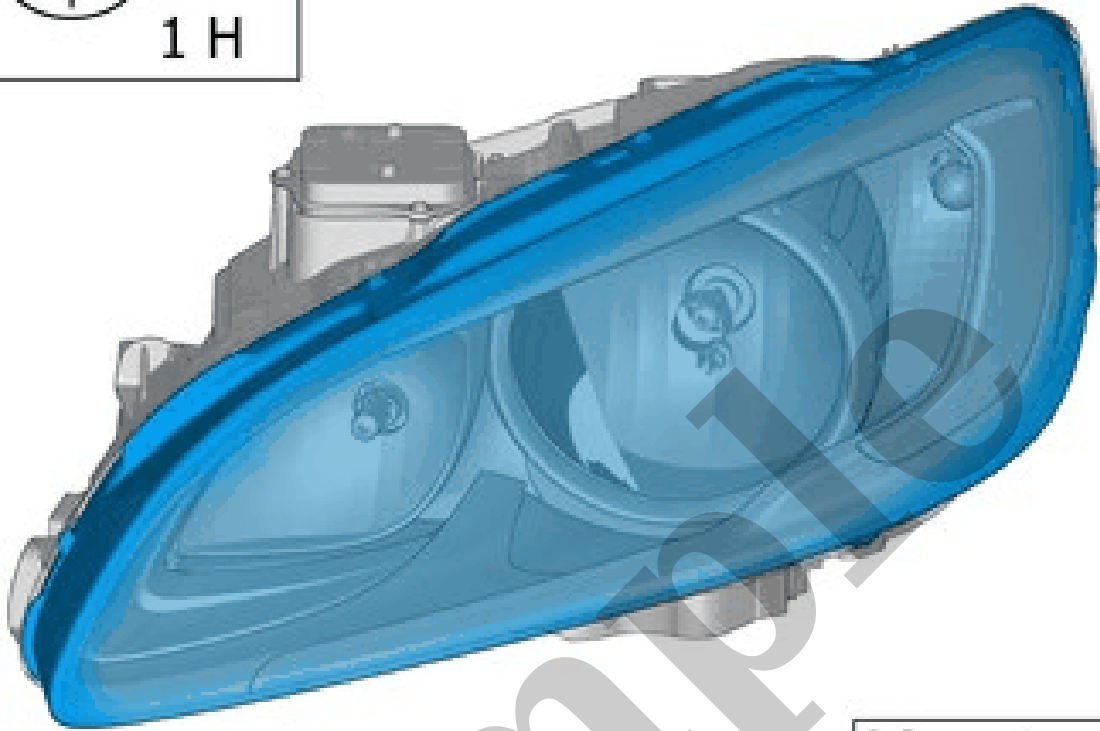
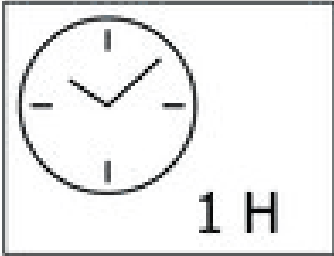
Sample

P 3000

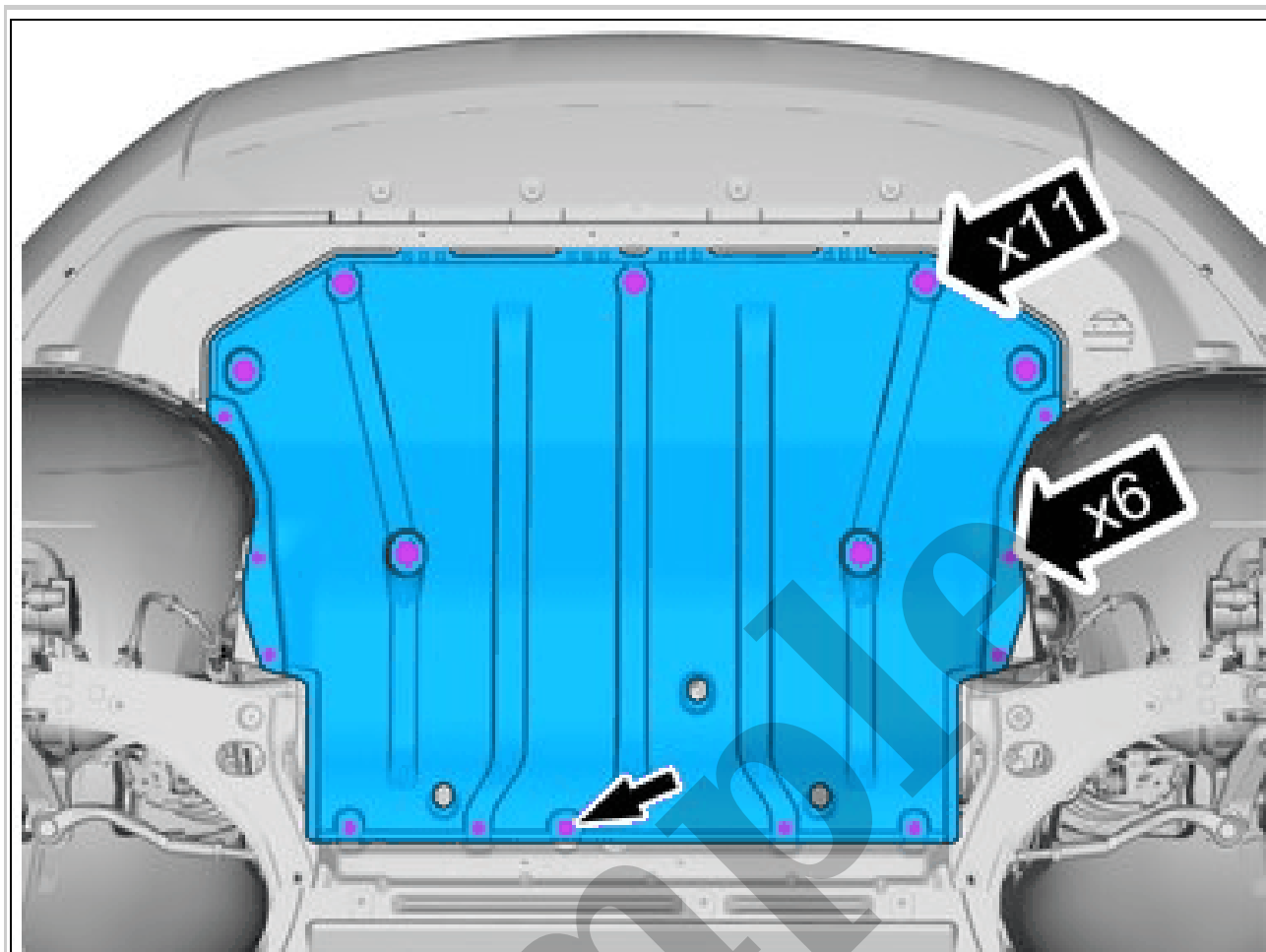


Courtesy of VOLVO CARS CORPORATION

Sample

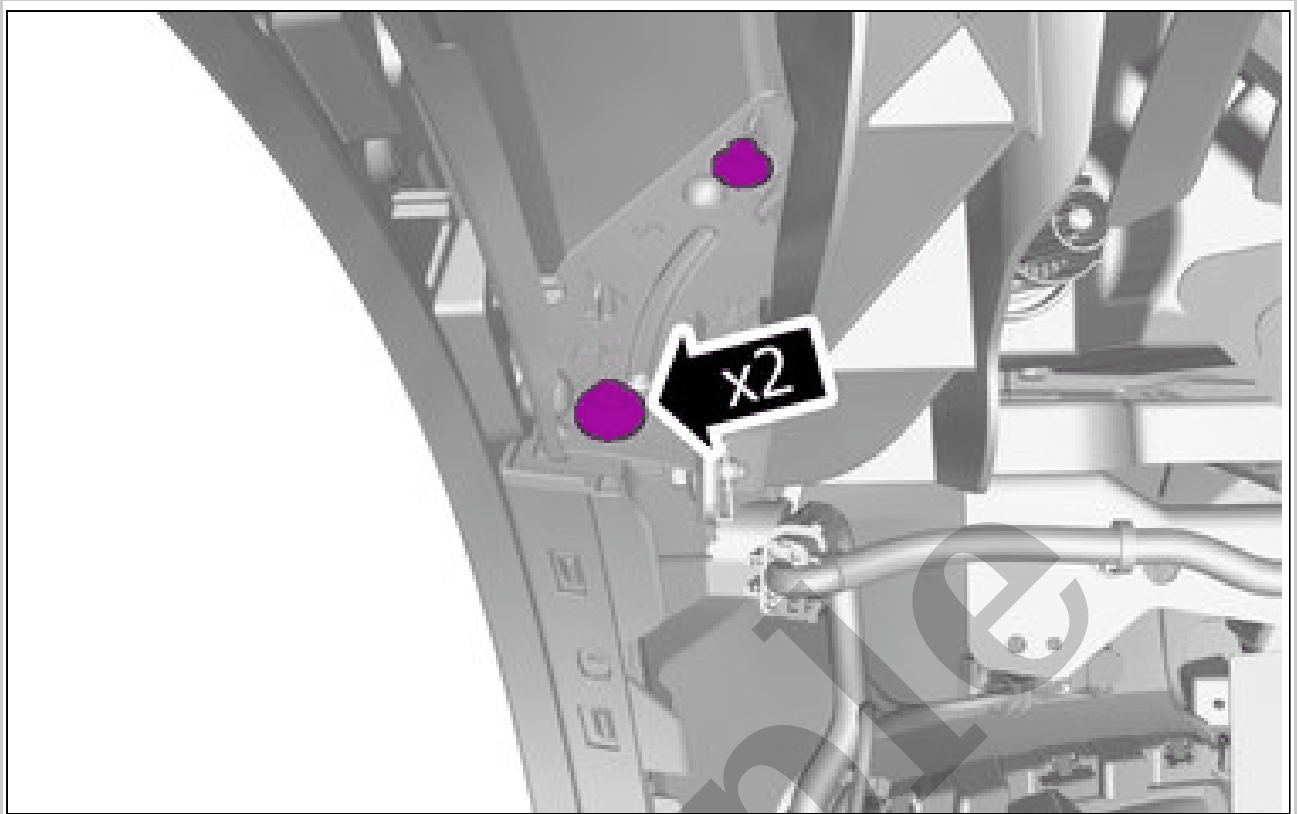


Courtesy of VOLVO CARS CORPORATION



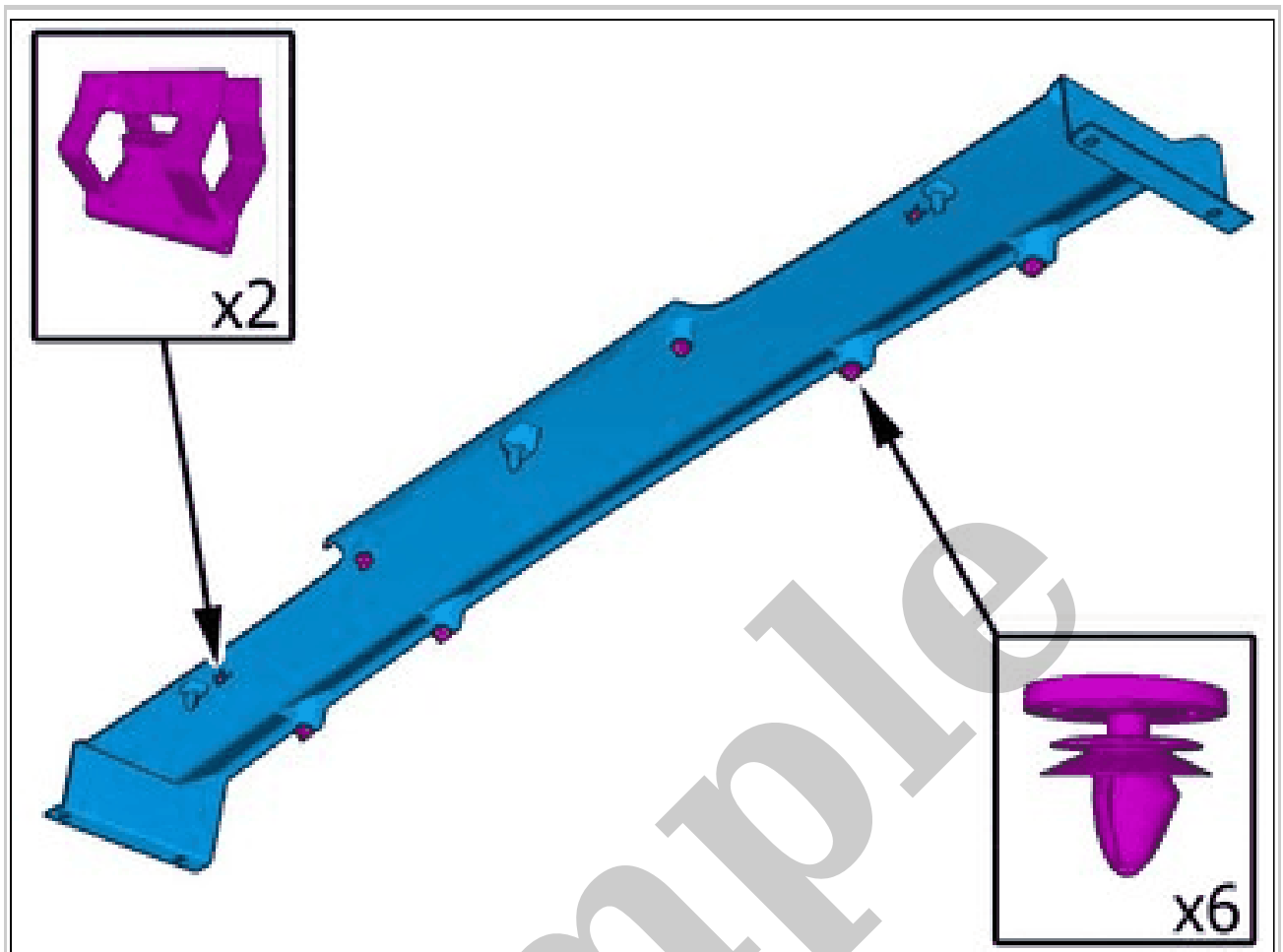
Courtesy of VOLVO CARS CORPORATION

Remove the screws.
Loosen the clip.
Remove the marked part.



Courtesy of VOLVO CARS CORPORATION

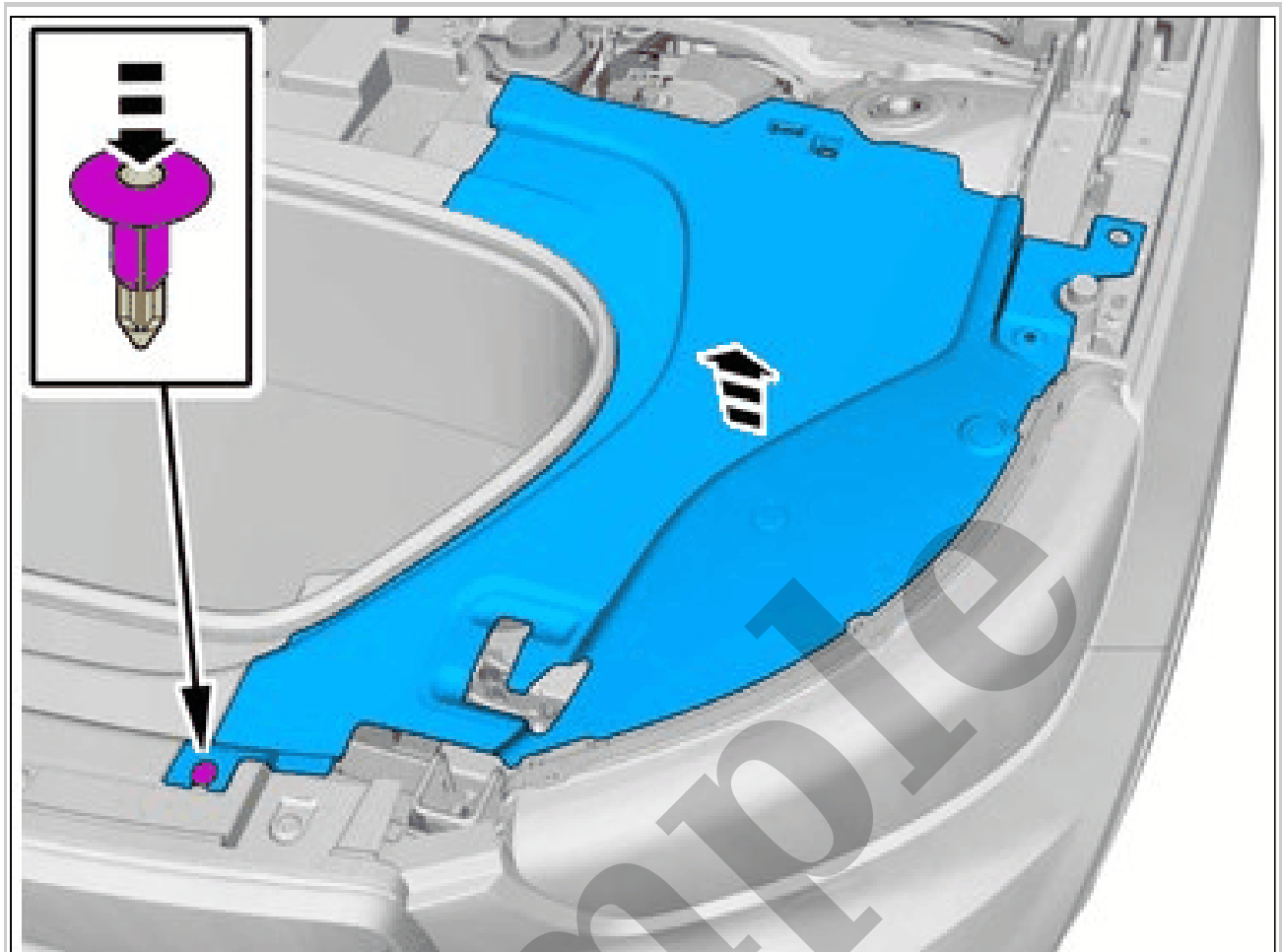
Torque: Bracket to front fender, 6Nm
Remove the screws.



Courtesy of VOLVO CARS CORPORATION

NOTE: *Orientation view*

The graphic shows the back of the component.

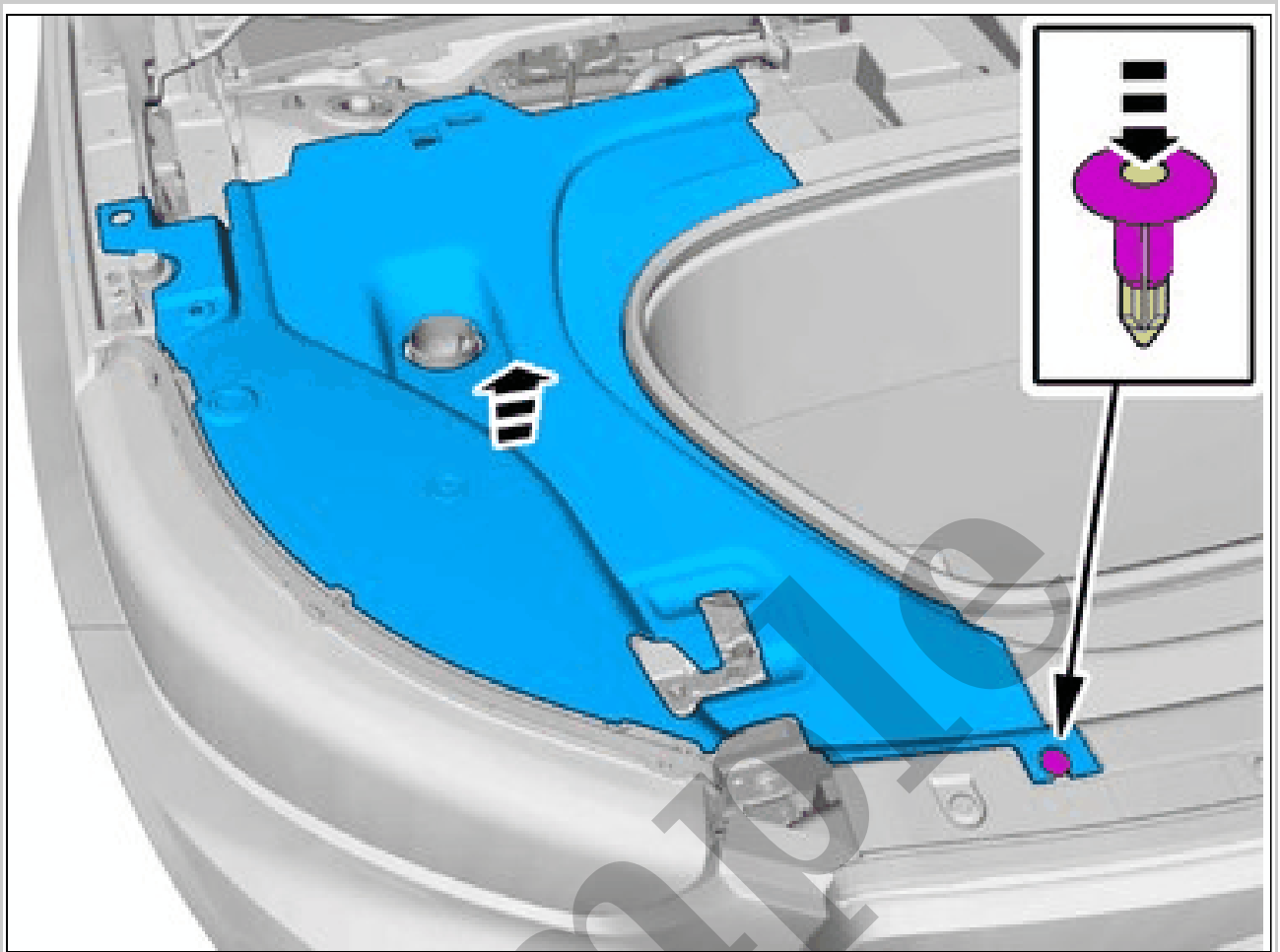


Courtesy of VOLVO CARS CORPORATION

Remove the clips.

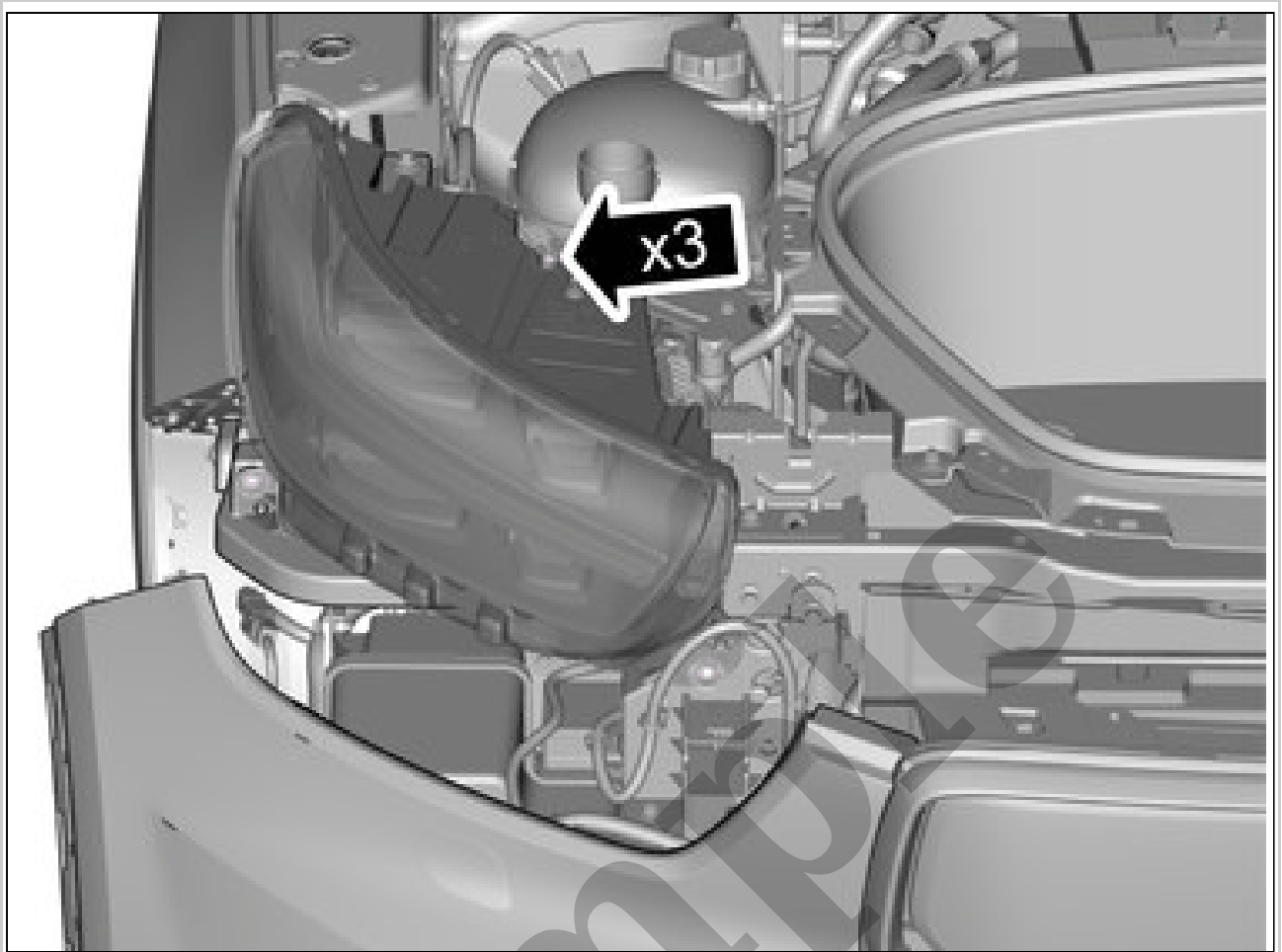
Remove the marked part.

APPLIES TO THE RIGHT-HAND SIDE



Courtesy of VOLVO CARS CORPORATION

Remove the clips.
Remove the marked part.



Courtesy of VOLVO CARS CORPORATION

Remove the screws.